



US00D638773S

(12) **United States Design Patent**
Laverack et al.

(10) **Patent No.:** **US D638,773 S**

(45) **Date of Patent:** **** May 31, 2011**

(54) **BRACKET FOR A TRUCK RACK**

(75) Inventors: **John R. Laverack**, Southbury, CT (US);
Douglas B. Winner, Newtown, CT (US)

(73) Assignee: **Thule Sweden AB**, Hillerstorp (SE)

(**) Term: **14 Years**

(21) Appl. No.: **29/346,414**

(22) Filed: **Oct. 30, 2009**

(51) **LOC (9) Cl.** **12-06**

(52) **U.S. Cl.** **D12/223**

(58) **Field of Classification Search** D12/223;
D8/382, 349, 354; 248/200, 300

See application file for complete search history.

(56) **References Cited**

U.S. PATENT DOCUMENTS

D277,546 S *	2/1985	Trotta	D8/349
D370,171 S *	5/1996	Emerson	D8/354
D548,051 S *	8/2007	Ruppert et al.	D8/354
D569,240 S *	5/2008	Aoki et al.	D8/382
D581,773 S *	12/2008	Meres et al.	D8/382
D603,780 S *	11/2009	Peschmann	D12/223
D605,102 S *	12/2009	Peschmann	D12/223
D611,886 S *	3/2010	Peschmann	D12/223
D611,887 S *	3/2010	Peschmann	D12/223

* cited by examiner

Primary Examiner — Holly H Baynham

Assistant Examiner — Sheryl Lane

(74) *Attorney, Agent, or Firm* — Novak Druce + Quigg LLP

(57) **CLAIM**

We claim the ornamental design for a bracket for a truck rack, as shown and described.

DESCRIPTION

FIG. 1 is an environmental perspective view of a bracket for a truck rack.

FIG. 2 is an alternate perspective view thereof;

FIG. 3 is a front elevational view thereof;

FIG. 4 is a left side elevational view; (the right side of the design is a mirror image of the left side, and is therefore not shown);

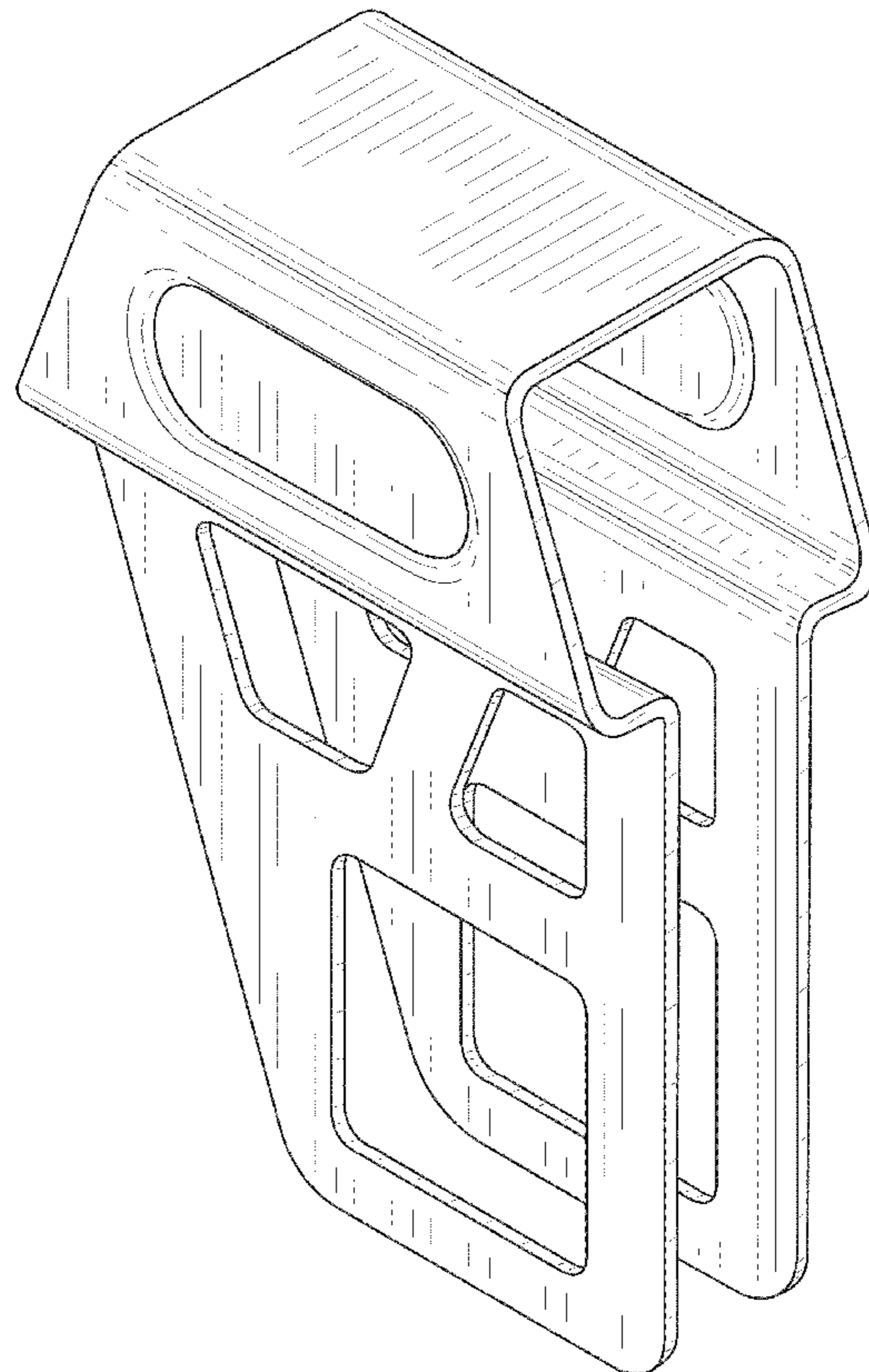
FIG. 5 is a back elevational view thereof;

FIG. 6 is a top plan view thereof; and,

FIG. 7 is a bottom plan view thereof.

The broken line showing of the truck rack is included for the purpose of illustrating environment and forms no part of the claimed design.

1 Claim, 6 Drawing Sheets



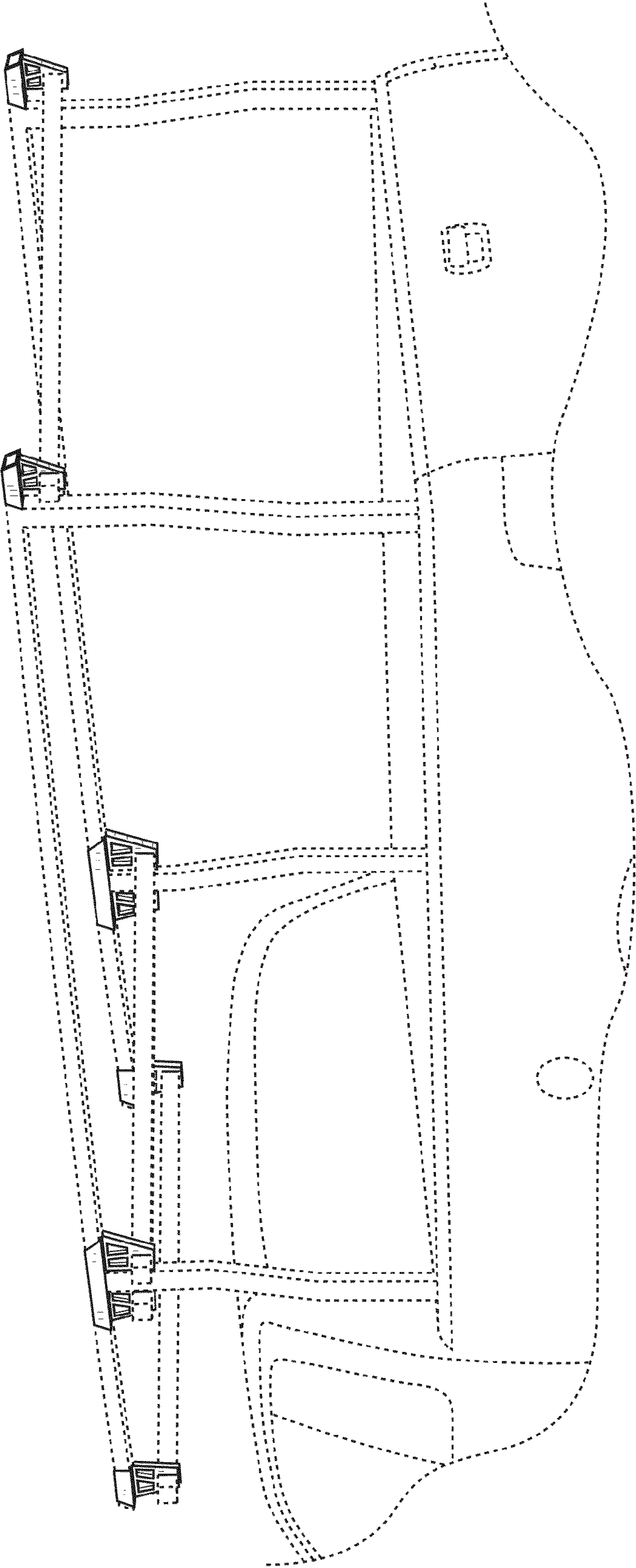


FIG. 1

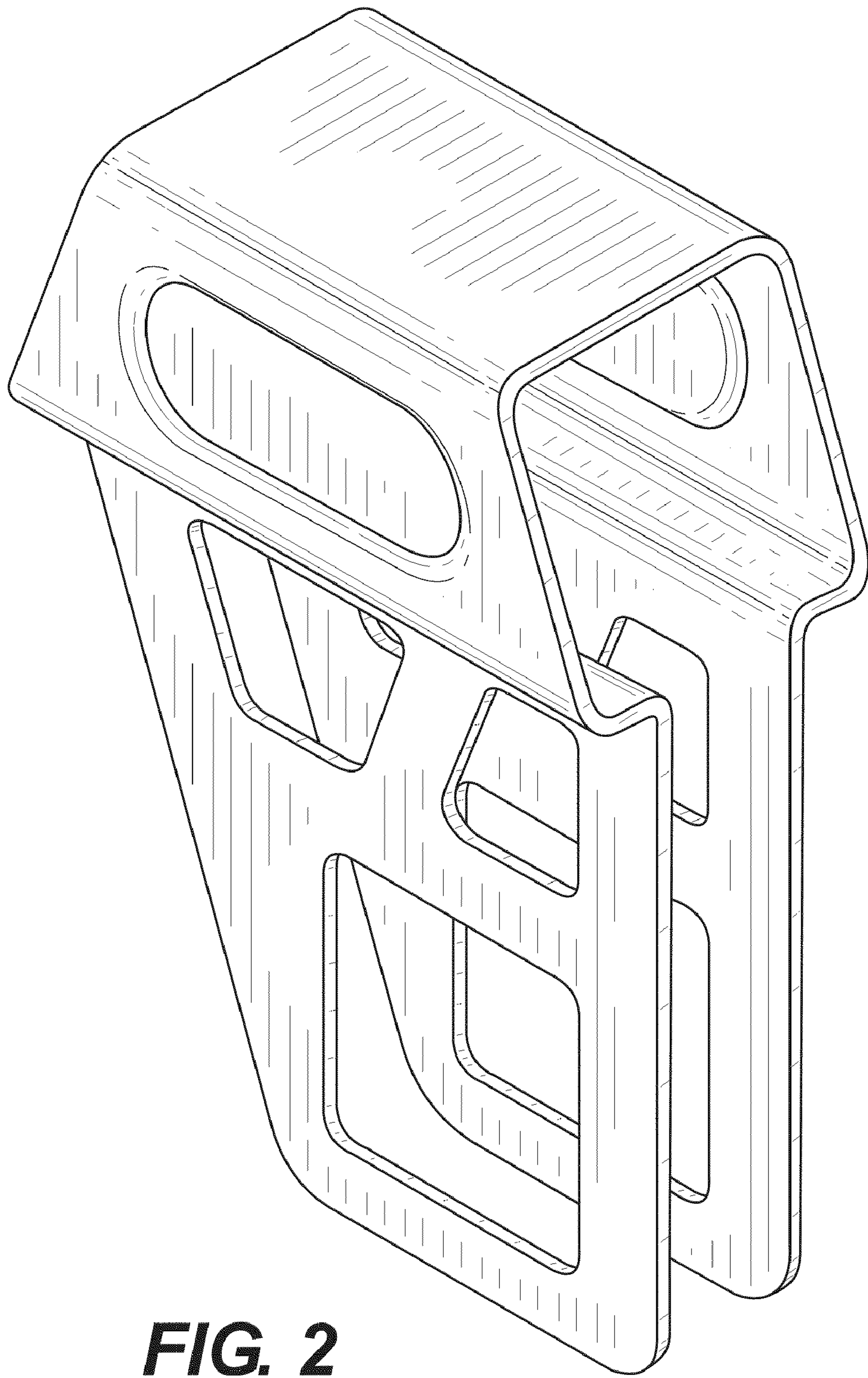


FIG. 2

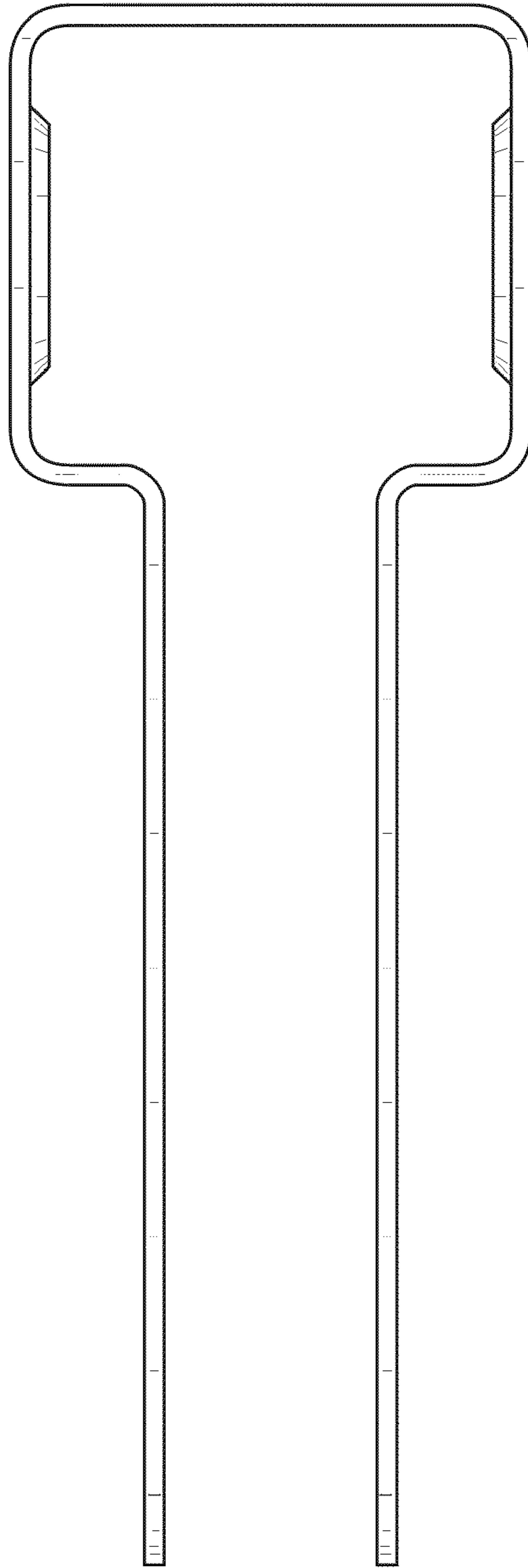


FIG. 3

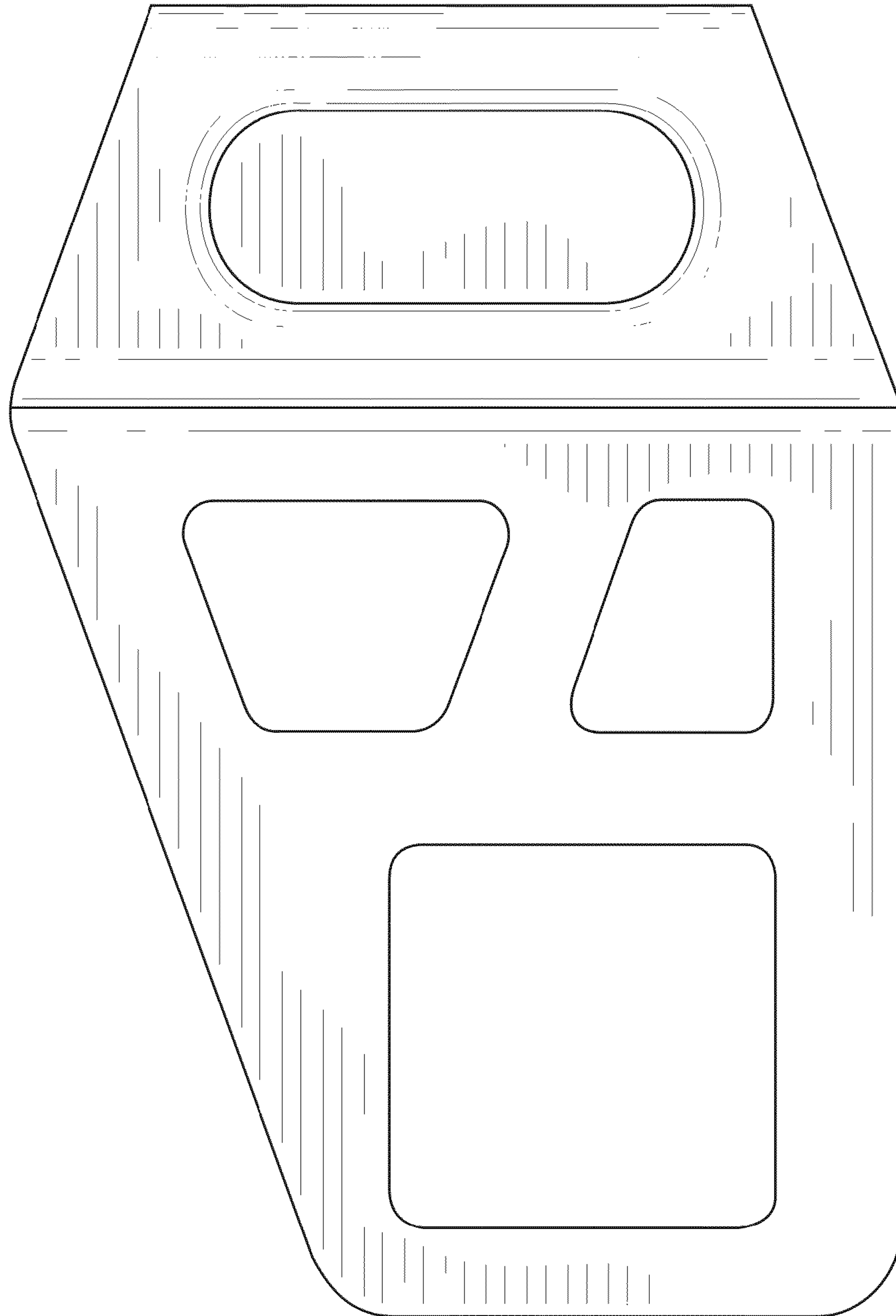


FIG. 4

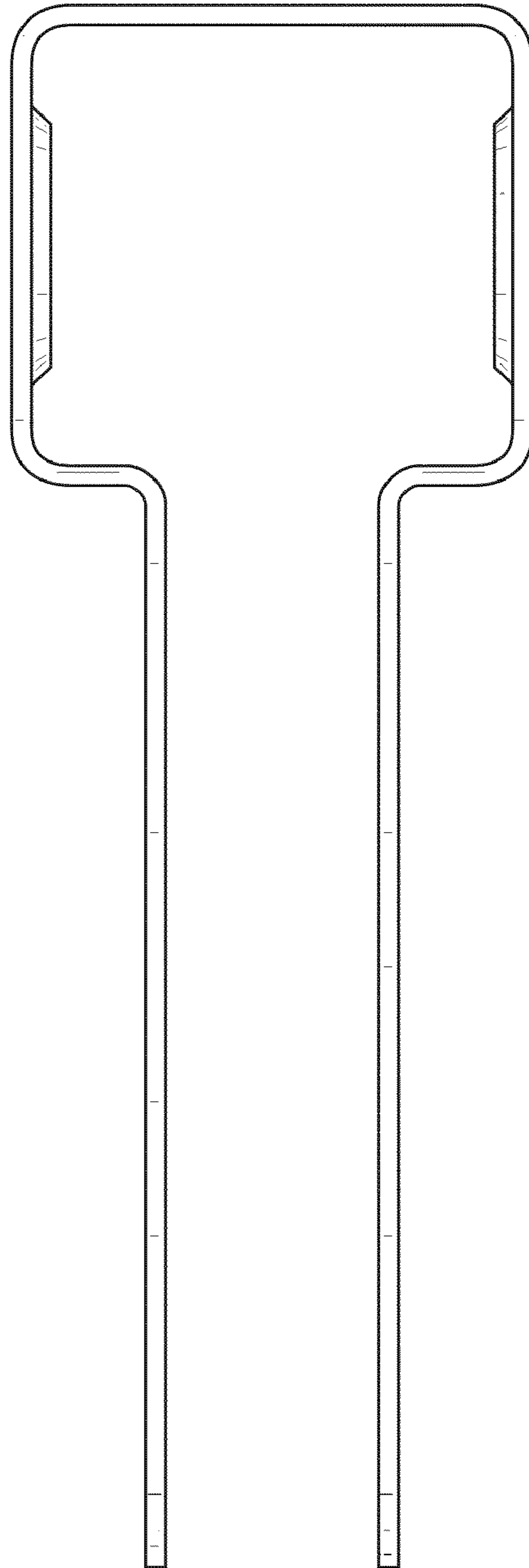


FIG. 5

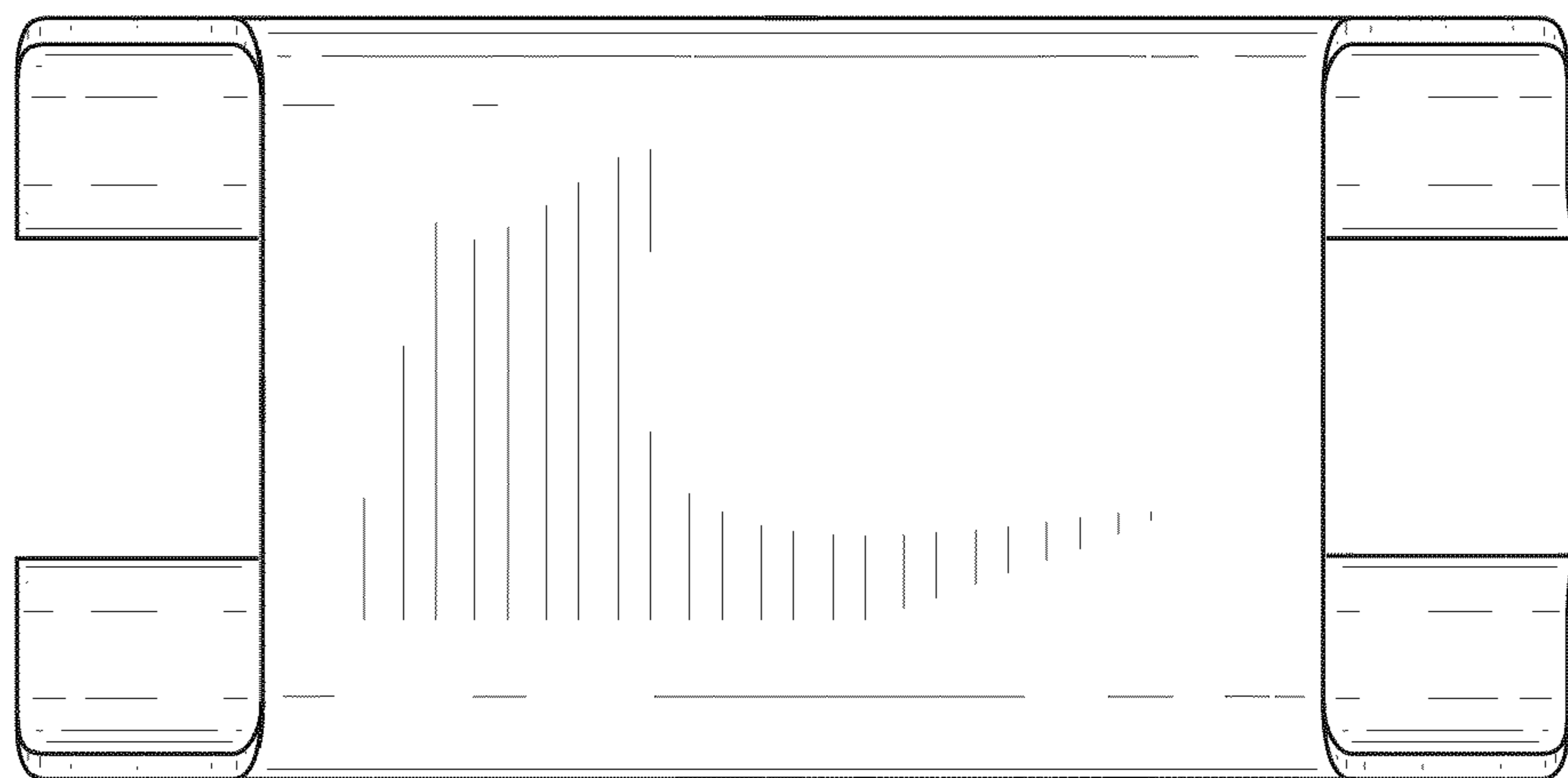


FIG. 6

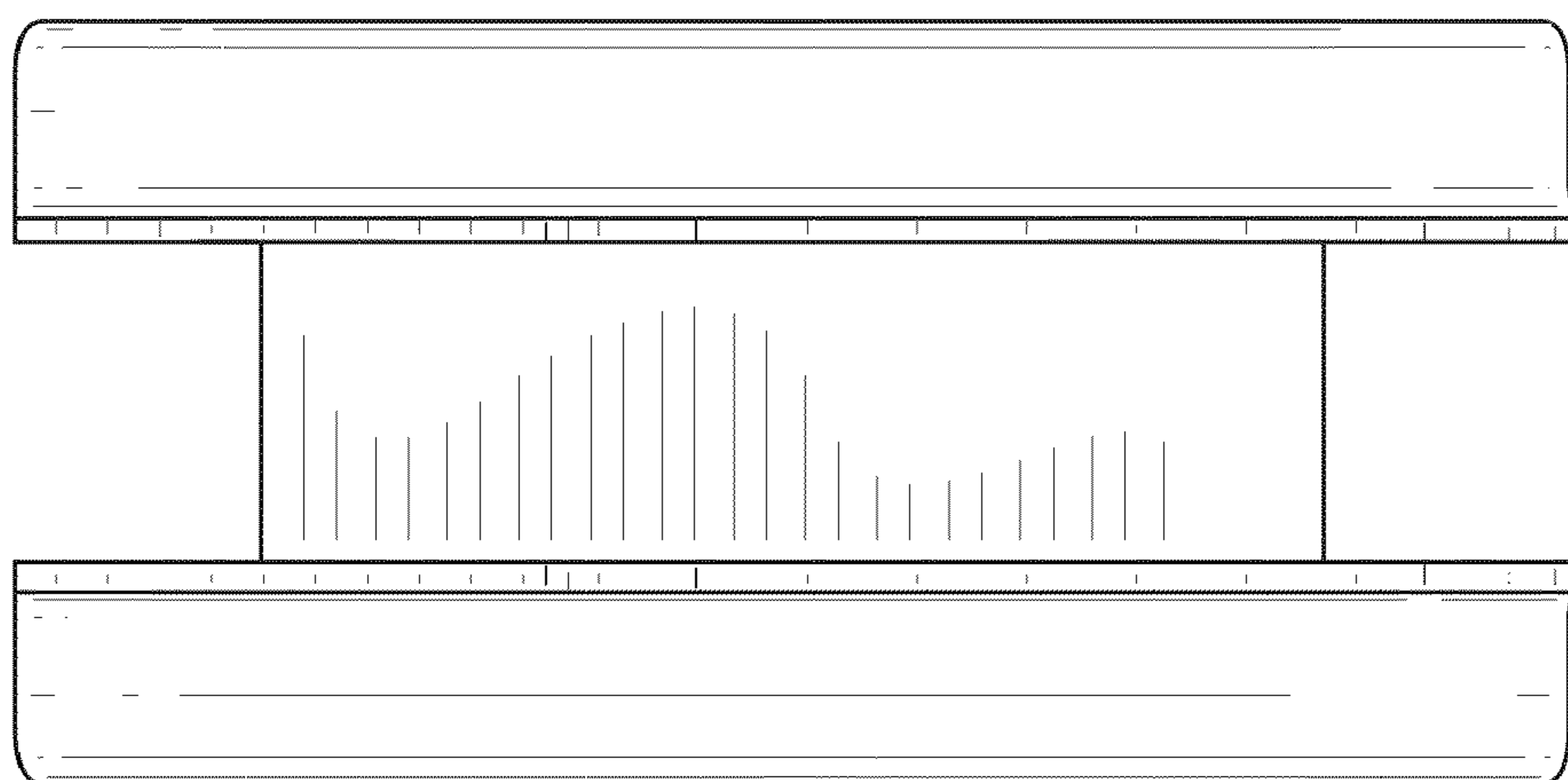


FIG. 7