



US00D638770S

(12) **United States Design Patent**
Chung

(10) **Patent No.:** **US D638,770 S**

(45) **Date of Patent:** **** May 31, 2011**

(54) **WHEEL**

(75) Inventor: **Suny Chung**, Yorba Linda, CA (US)

(73) Assignee: **Wheel Pros, LLC**, Lakewood, CO (US)

(**) Term: **14 Years**

(21) Appl. No.: **29/378,750**

(22) Filed: **Nov. 9, 2010**

(51) **LOC (9) Cl.** **12-16**

(52) **U.S. Cl.** **D12/211**

(58) **Field of Classification Search** D12/204-213;
301/37.101, 64.101, 65, 64.201

See application file for complete search history.

(56) **References Cited**

U.S. PATENT DOCUMENTS

D417,646 S	*	12/1999	Baumgartner	D12/211
D463,769 S	*	10/2002	Chung	D12/211
D523,801 S	*	6/2006	Madden	D12/211
D524,217 S	*	7/2006	Aoki	D12/211
D526,610 S	*	8/2006	Muzzarelli	D12/211
D532,739 S	*	11/2006	Ettensberger	D12/211
D534,473 S	*	1/2007	Bernoni	D12/211
D541,202 S	*	4/2007	Baumgartner	D12/211
D547,711 S	*	7/2007	Young	D12/211
D597,919 S	*	8/2009	Atwell	D12/211
D605,574 S	*	12/2009	Abdallah	D12/211
D606,922 S	*	12/2009	Thorsten	D12/211
D619,523 S	*	7/2010	Gallert	D12/209
D626,053 S	*	10/2010	Groom	D12/211
D627,286 S	*	11/2010	Gallert	D12/209

* cited by examiner

Primary Examiner — Stacia Cadmus

(74) *Attorney, Agent, or Firm* — Garcia-Zamor IP Law; Ruy M. Garcia-Zamor

(57) **CLAIM**

The ornamental design for a wheel, as shown and described.

DESCRIPTION

FIG. 1 is a perspective view of a wheel according to a first preferred embodiment of my new design;

FIG. 2 is a front elevational view of the wheel of FIG. 1;

FIG. 3 is a left side elevational view of the wheel of FIG. 1, the right side elevational view of the wheel of FIG. 1 is a mirror image of FIG. 3;

FIG. 4 is a top plan view of the wheel of FIG. 1;

FIG. 5 is a bottom plan view of the wheel of FIG. 1;

FIG. 6 is a rear elevational view of the wheel of FIG. 1;

FIG. 7 is a perspective view of a wheel according to a second preferred embodiment of my new design;

FIG. 8 is a front elevational view of the wheel of FIG. 7;

FIG. 9 is a left side elevational view of the wheel of FIG. 7, the right side elevational view of the wheel of FIG. 7 is a mirror image of FIG. 9;

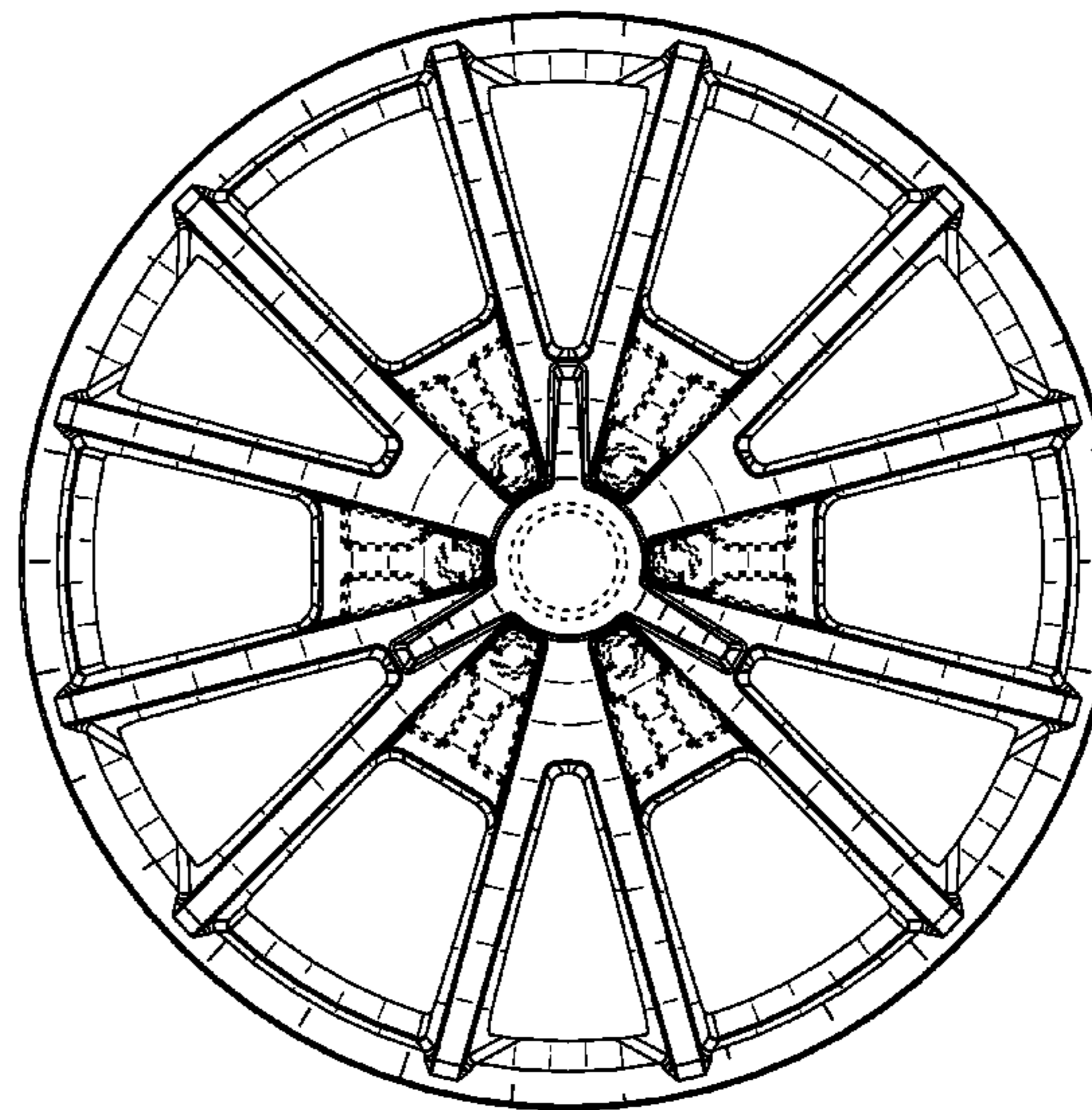
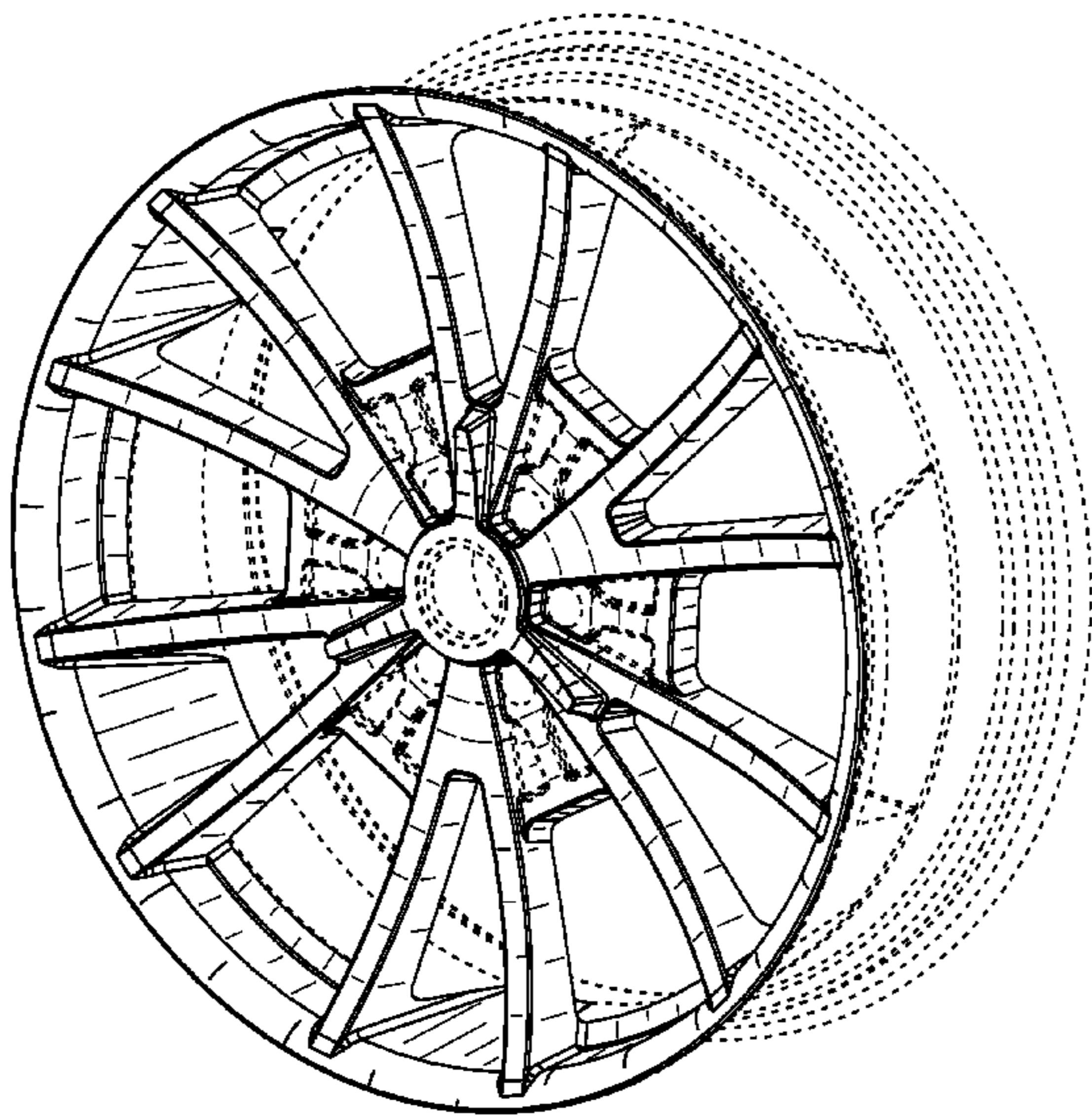
FIG. 10 is a top plan view of the wheel of FIG. 7;

FIG. 11 is a bottom plan view of the wheel of FIG. 7; and,

FIG. 12 is a rear elevational view of the wheel of FIG. 7.

The broken lines in FIGS. 1-12 represent environment and are for illustrative purposes only and do not constitute part of the claimed design.

1 Claim, 10 Drawing Sheets



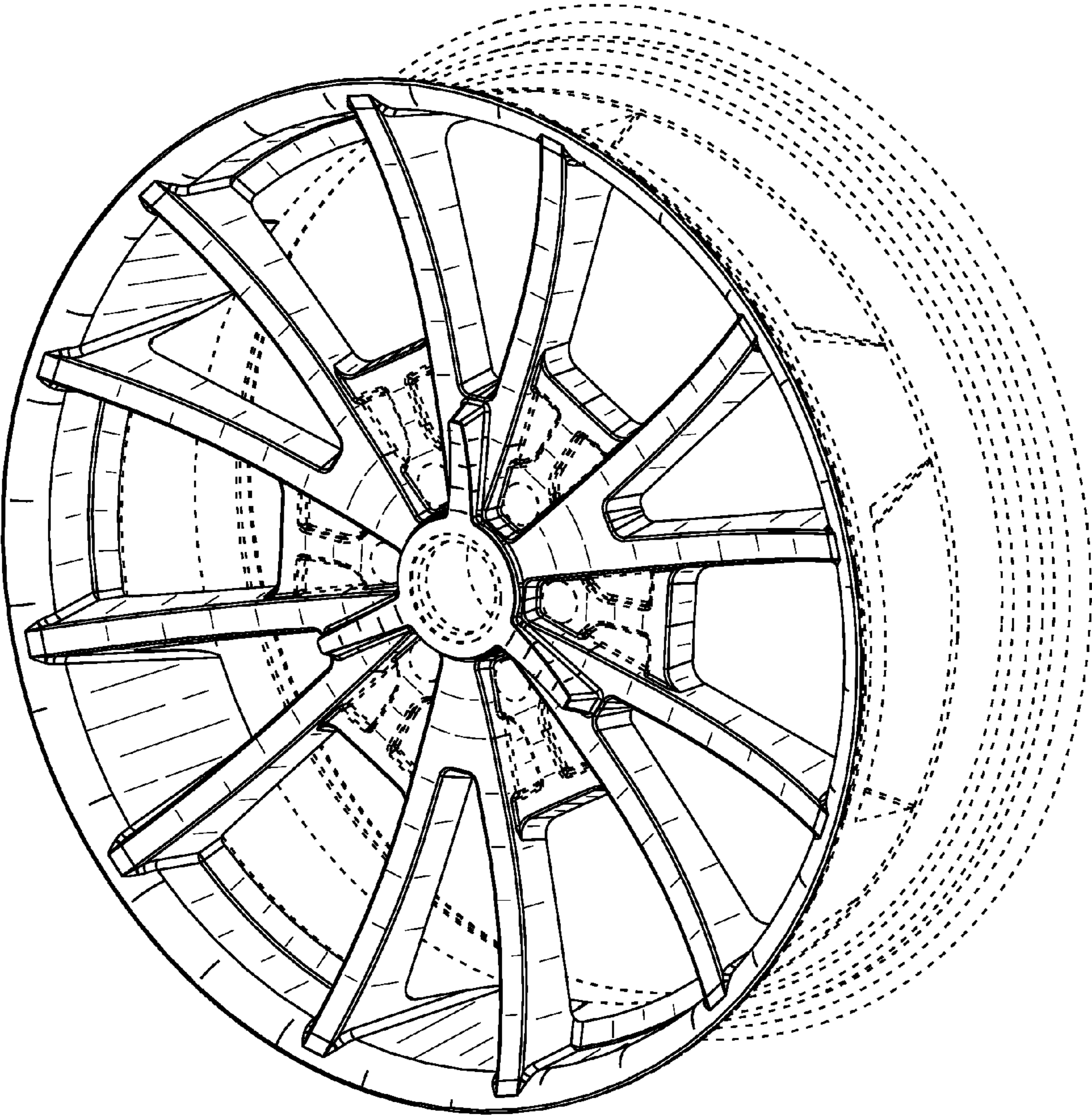


FIG. 1

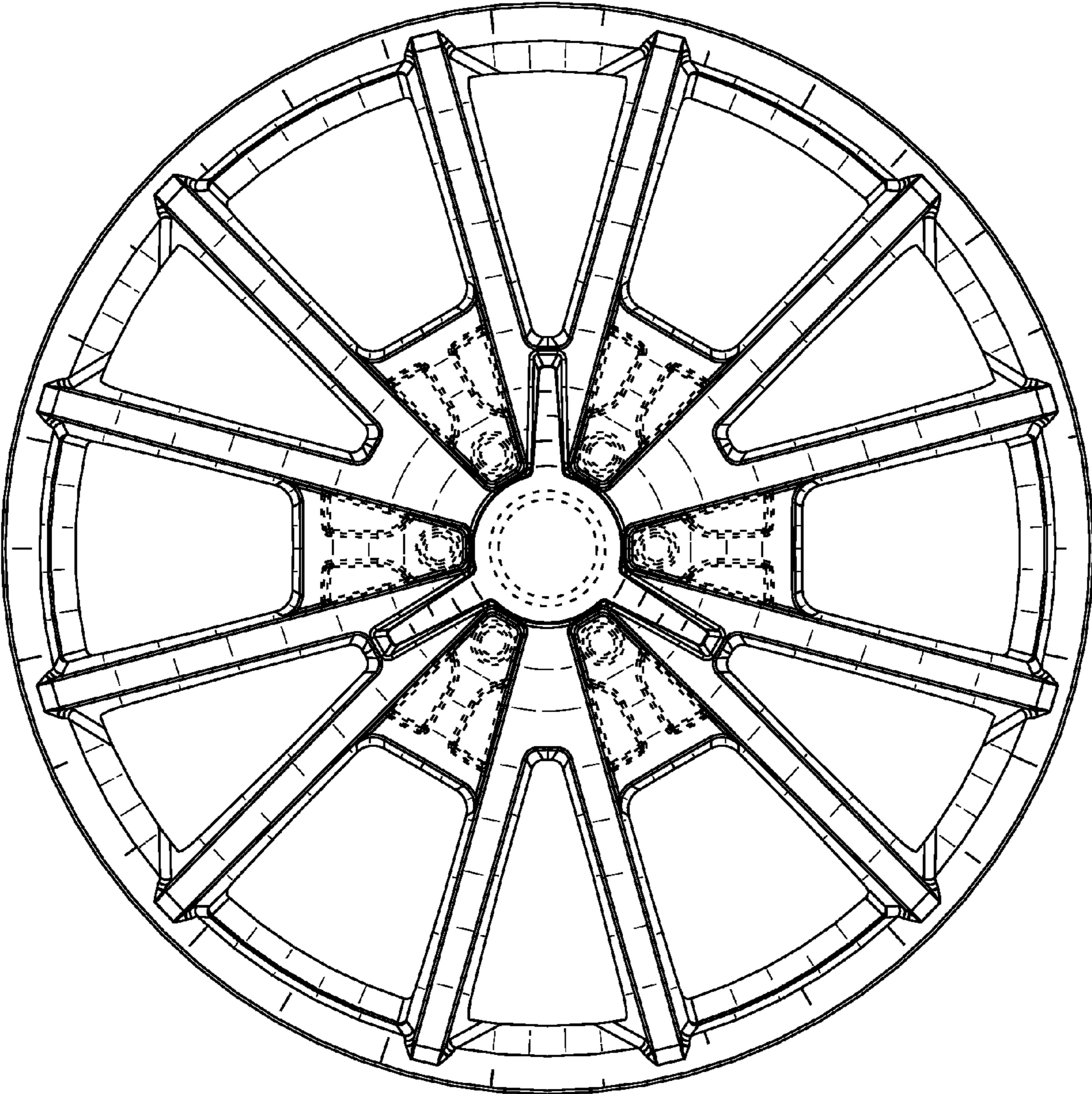


FIG. 2

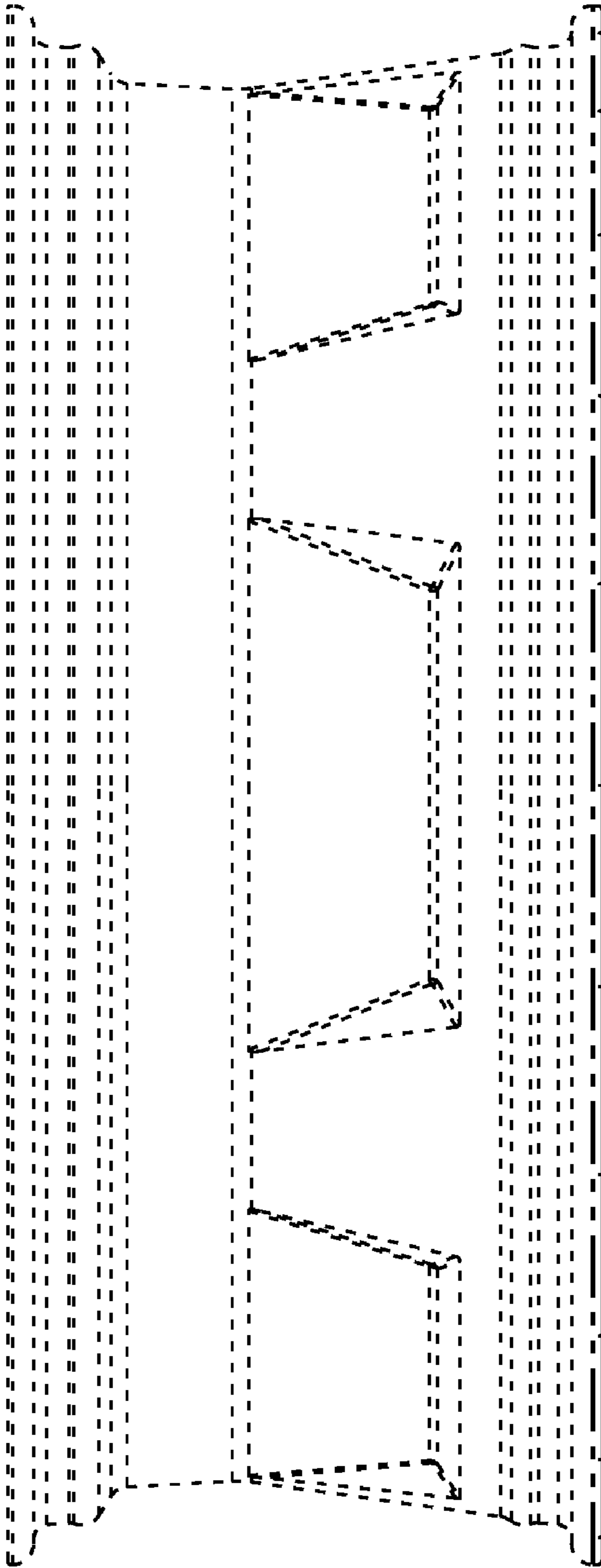


FIG. 3

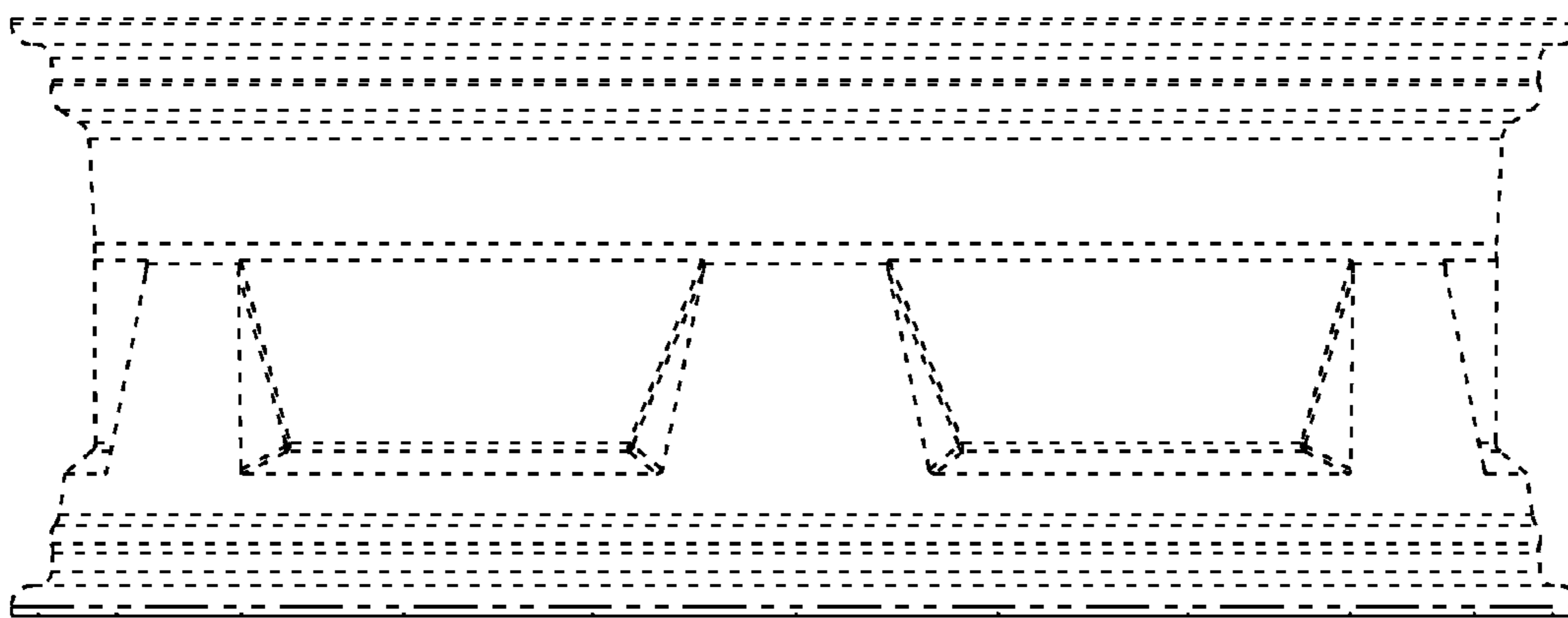


FIG. 4

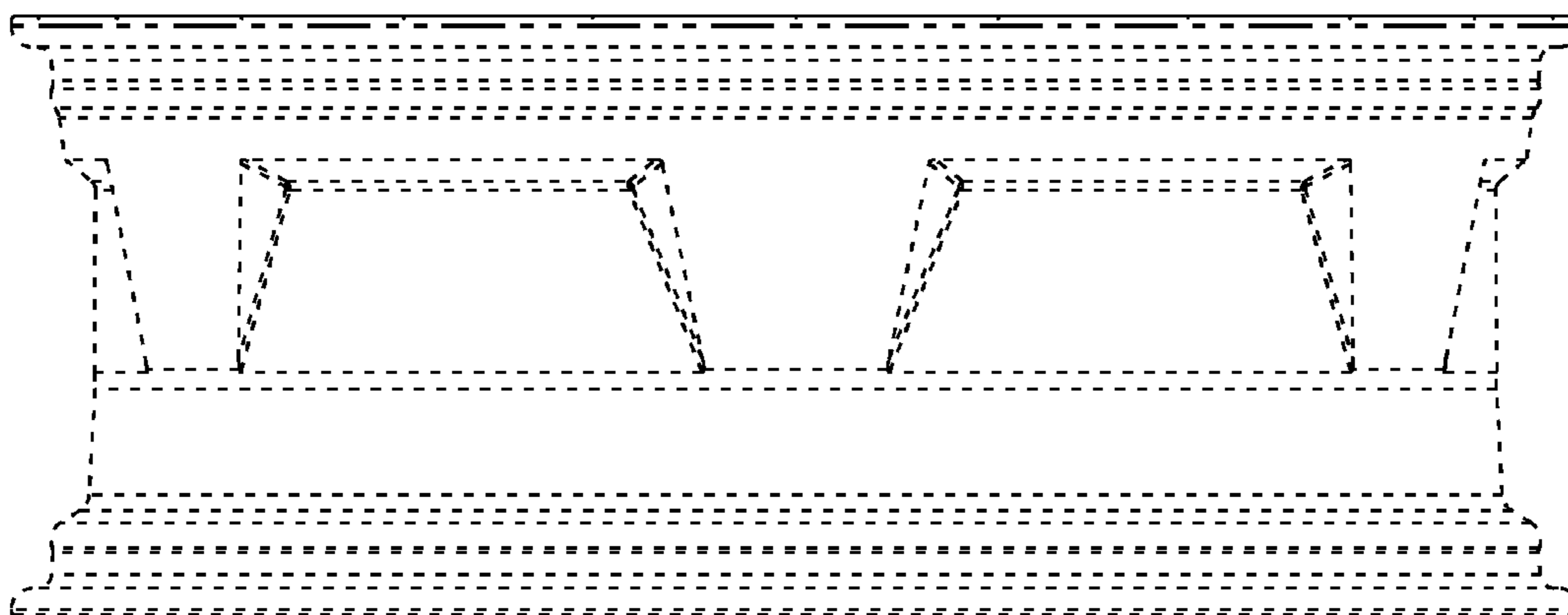


FIG. 5

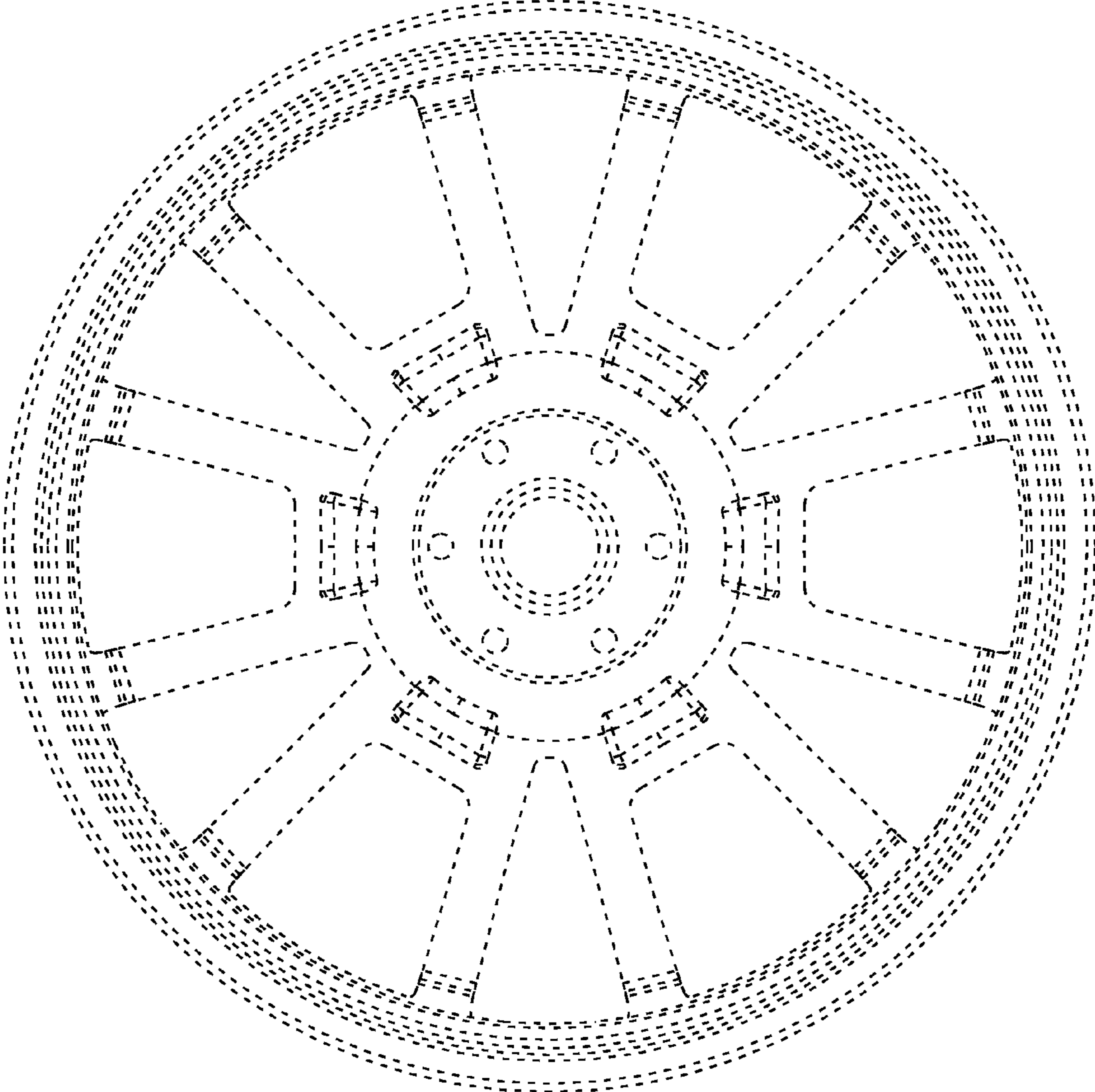


FIG. 6

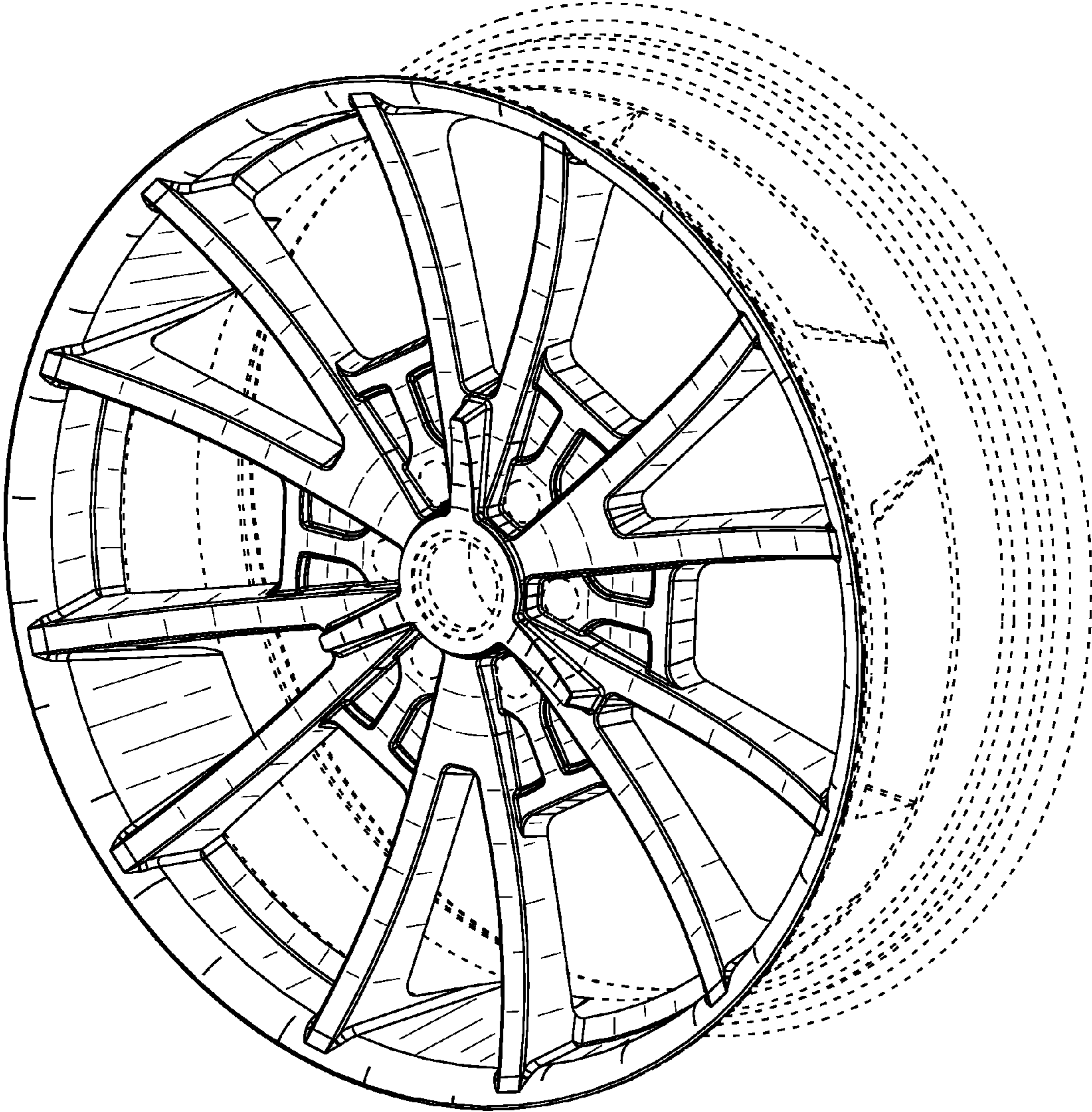


FIG. 7

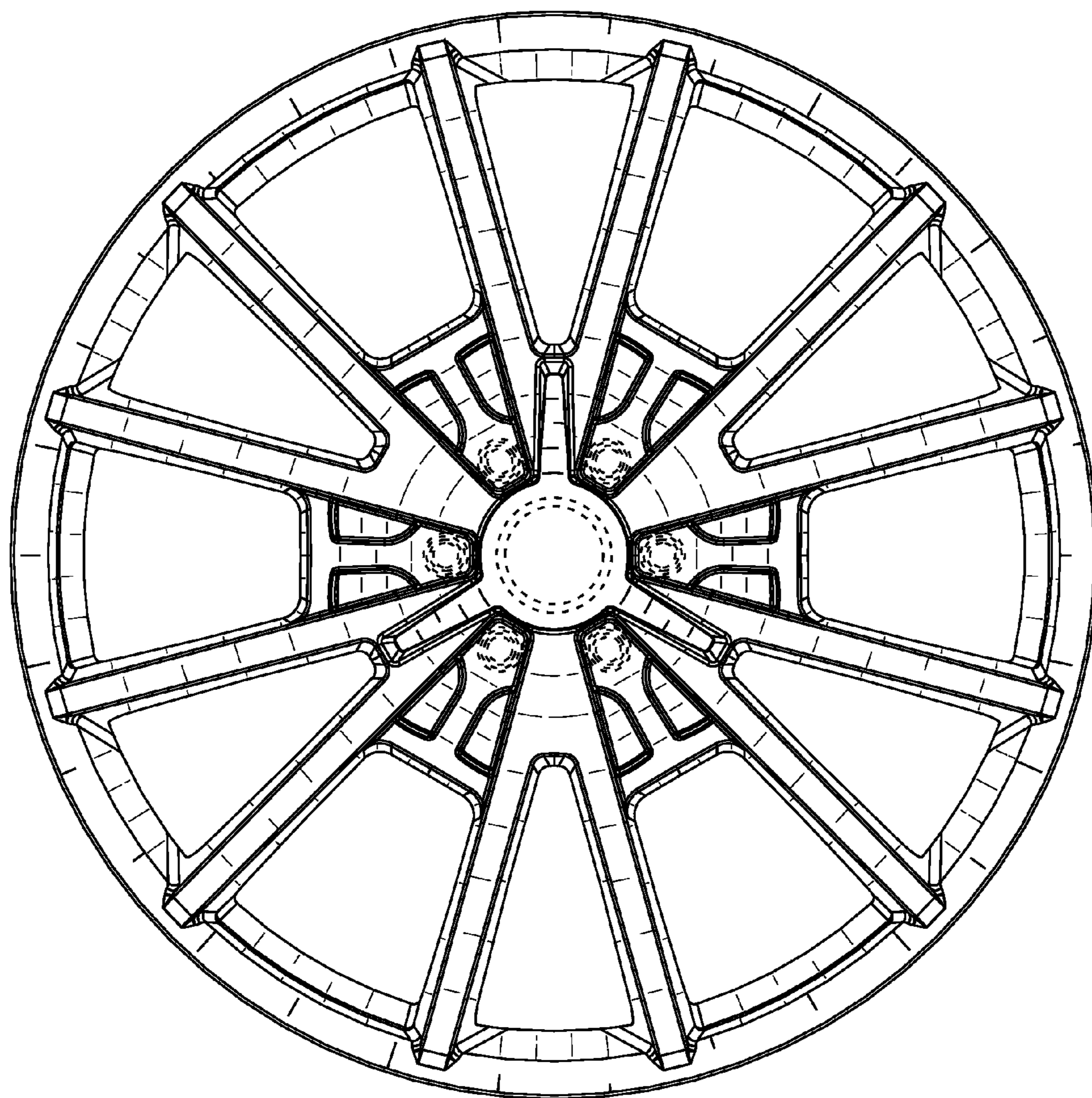


FIG. 8

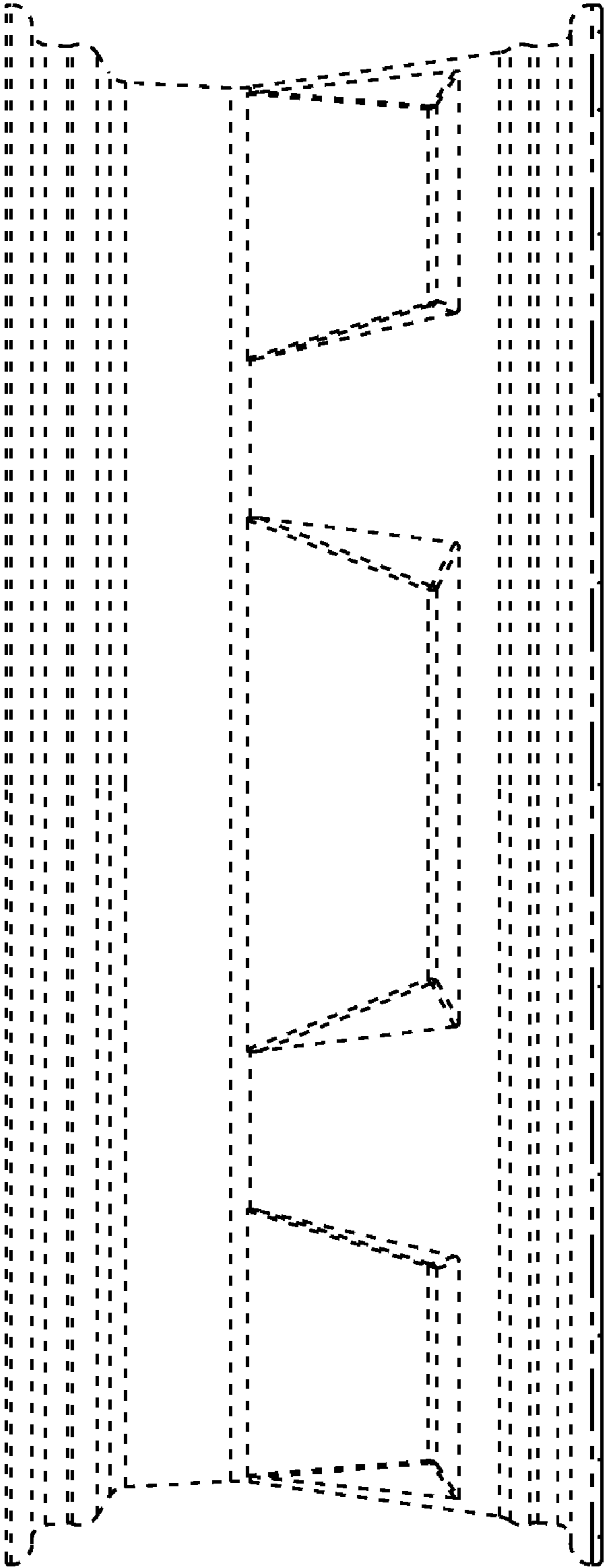


FIG. 9

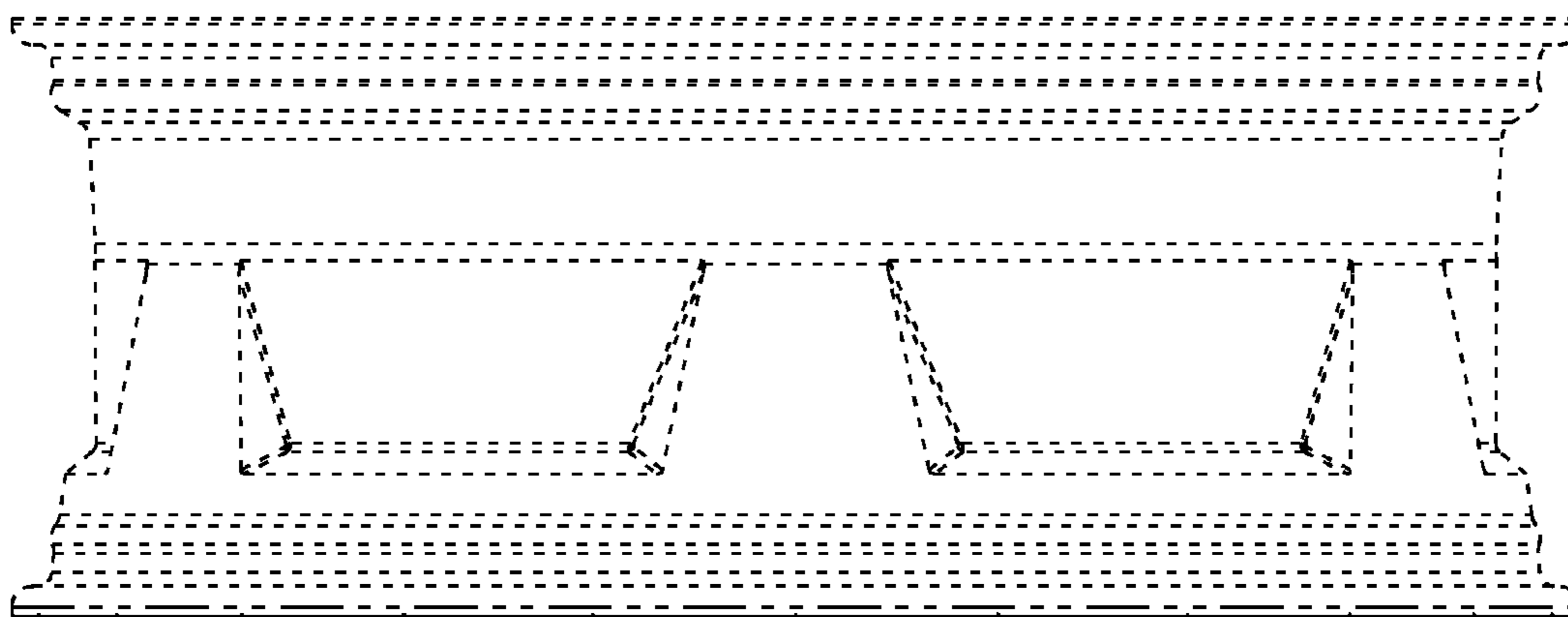


FIG. 10

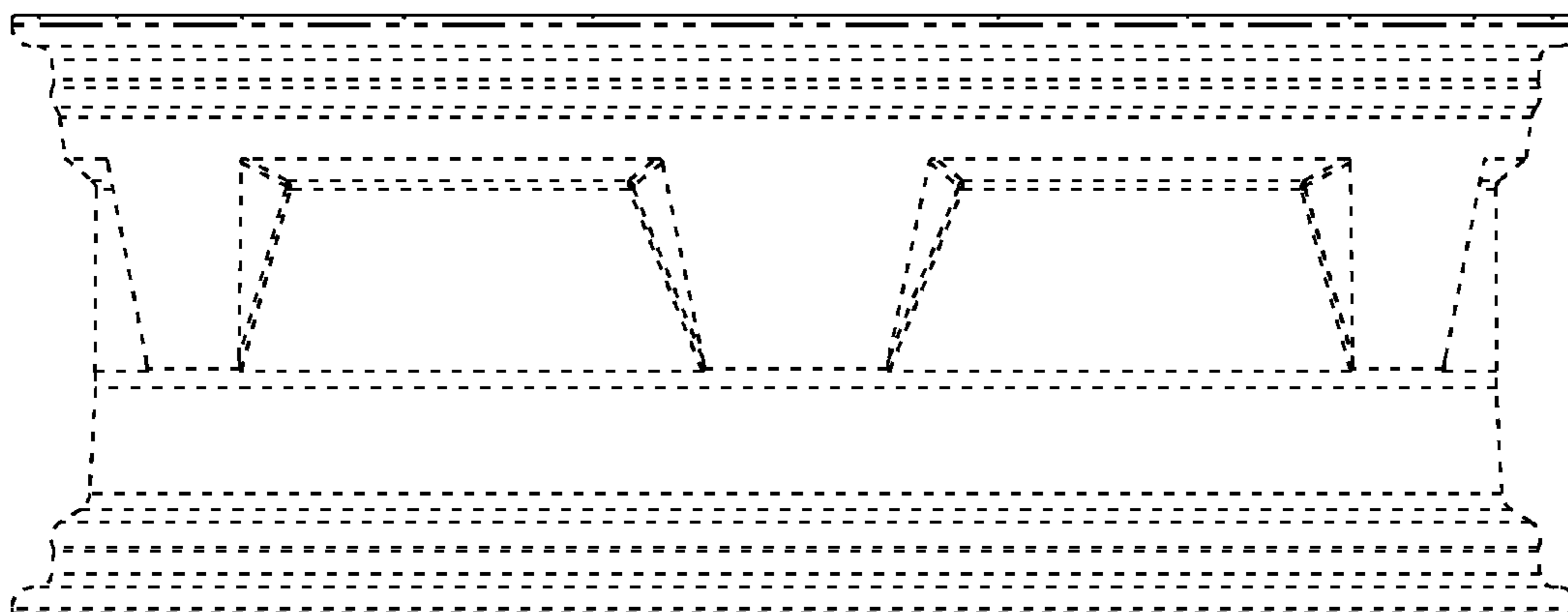


FIG. 11

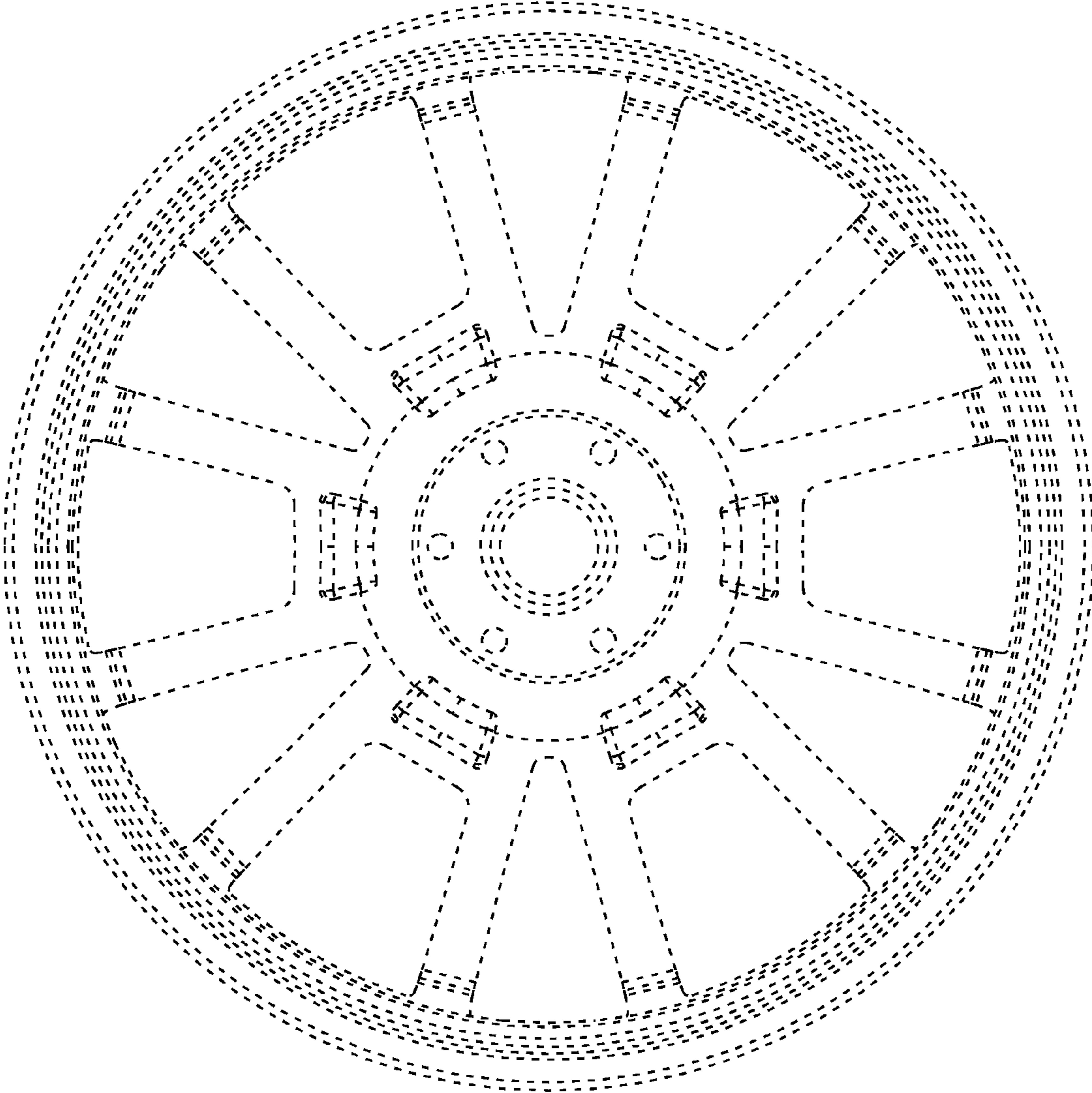


FIG. 12