



US00D638769S

(12) **United States Design Patent**
Groom

(10) **Patent No.:** **US D638,769 S**

(45) **Date of Patent:** **** May 31, 2011**

(54) **WHEEL**

(75) Inventor: **Colbey Groom**, Murrieta, CA (US)

(73) Assignee: **Wheel Pros, LLC**, Lakewood, CO (US)

(**) Term: **14 Years**

(21) Appl. No.: **29/376,795**

(22) Filed: **Oct. 12, 2010**

(51) **LOC (9) Cl.** **12-16**

(52) **U.S. Cl.** **D12/211**

(58) **Field of Classification Search** D12/204-213;
301/37.101, 64.101, 65, 64.201

See application file for complete search history.

(56) **References Cited**

U.S. PATENT DOCUMENTS

D466,466 S *	12/2002	Laengerer	D12/211
D501,440 S *	2/2005	Pfeiffer	D12/211
D506,173 S *	6/2005	Pfeiffer	D12/211
D508,006 S *	8/2005	Laengerer	D12/209
D524,219 S *	7/2006	Scheu	D12/211
D576,937 S *	9/2008	Imai	D12/211
D580,335 S *	11/2008	Choi et al.	D12/211
D623,109 S *	9/2010	Markefka	D12/209
D623,114 S *	9/2010	Geisler	D12/211
D629,734 S *	12/2010	Batchelor	D12/211

* cited by examiner

Primary Examiner — Stacia Cadmus

(74) *Attorney, Agent, or Firm* — Garcia-Zamor IP Law; Ruy M. Garcia-Zamor

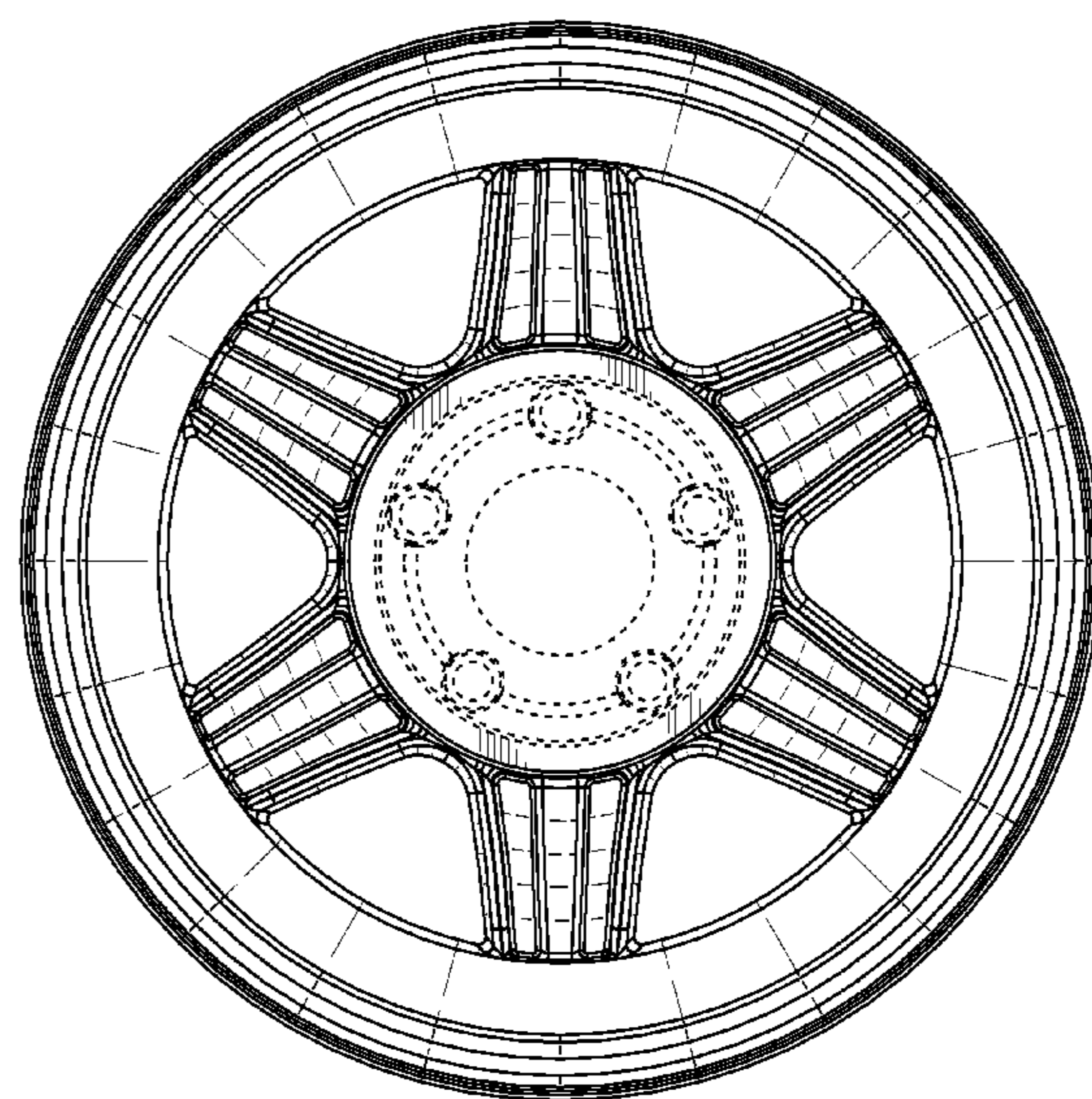
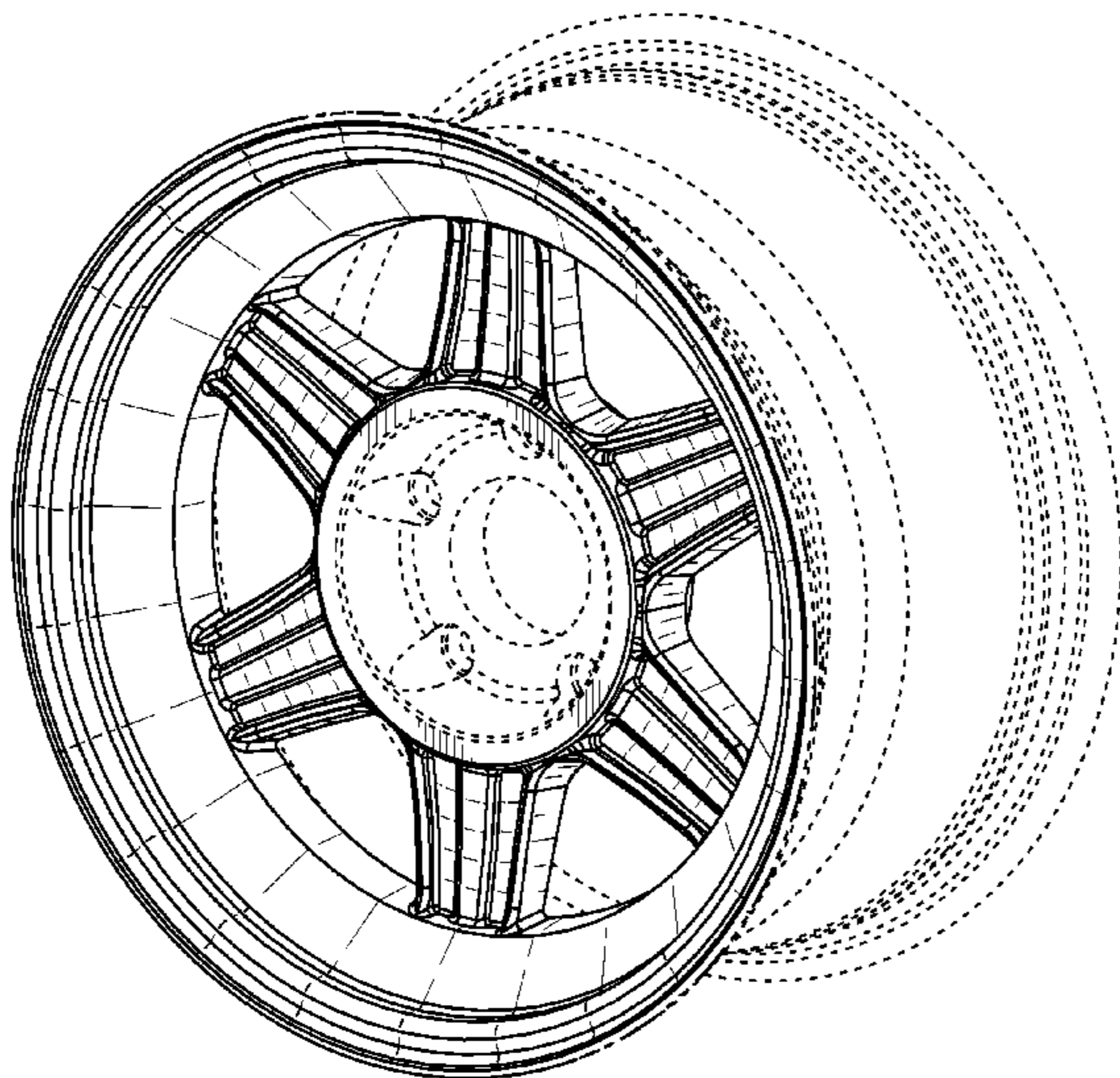
(57) **CLAIM**

The ornamental design for a wheel, as shown and described.

DESCRIPTION

FIG. 1 is a perspective view of a wheel according to a first preferred embodiment of my new design;
 FIG. 2 is a front elevational view of the wheel of FIG. 1;
 FIG. 3 is a left side elevational view of the wheel of FIG. 1, the right side elevational view of the wheel of FIG. 1 is a mirror image of FIG. 3;
 FIG. 4 is a top plan view of the wheel of FIG. 1;
 FIG. 5 is a bottom plan view of the wheel of FIG. 1;
 FIG. 6 is a rear elevational view of the wheel of FIG. 1;
 FIG. 7 is a perspective view of a wheel according to a second preferred embodiment of my new design;
 FIG. 8 is a front elevational view of the wheel of FIG. 7;
 FIG. 9 is a left side elevational view of the wheel of FIG. 7, the right side elevational view of the wheel of FIG. 7 is a mirror image of FIG. 9;
 FIG. 10 is a top plan view of the wheel of FIG. 7;
 FIG. 11 is a bottom plan view of the wheel of FIG. 7; and,
 FIG. 12 is a rear elevational view of the wheel of FIG. 7.
 The broken lines in FIGS. 1-12 represent environment and are for illustrative purposes only and do not constitute part of the claimed design.

1 Claim, 10 Drawing Sheets



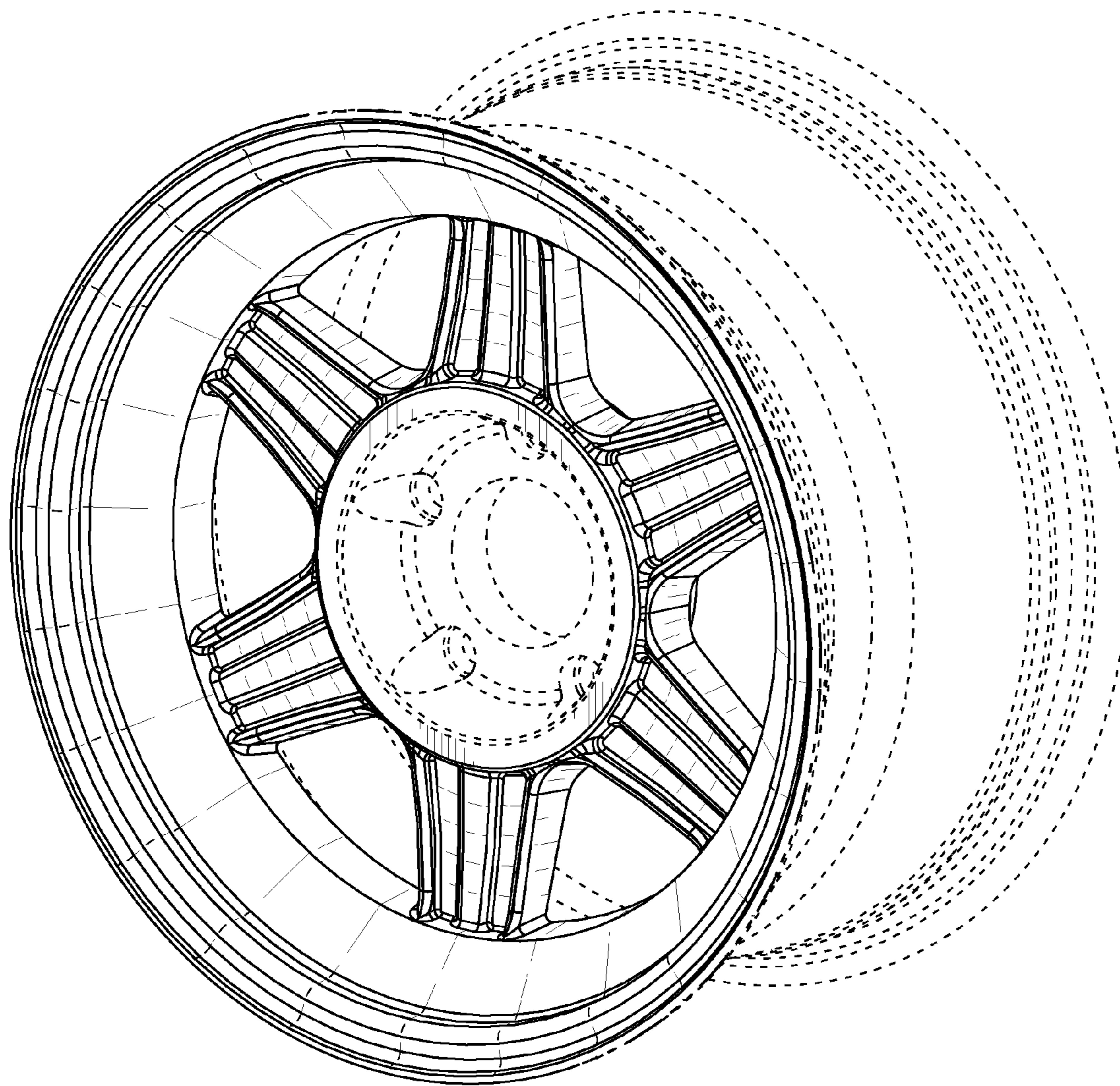


FIG. 1

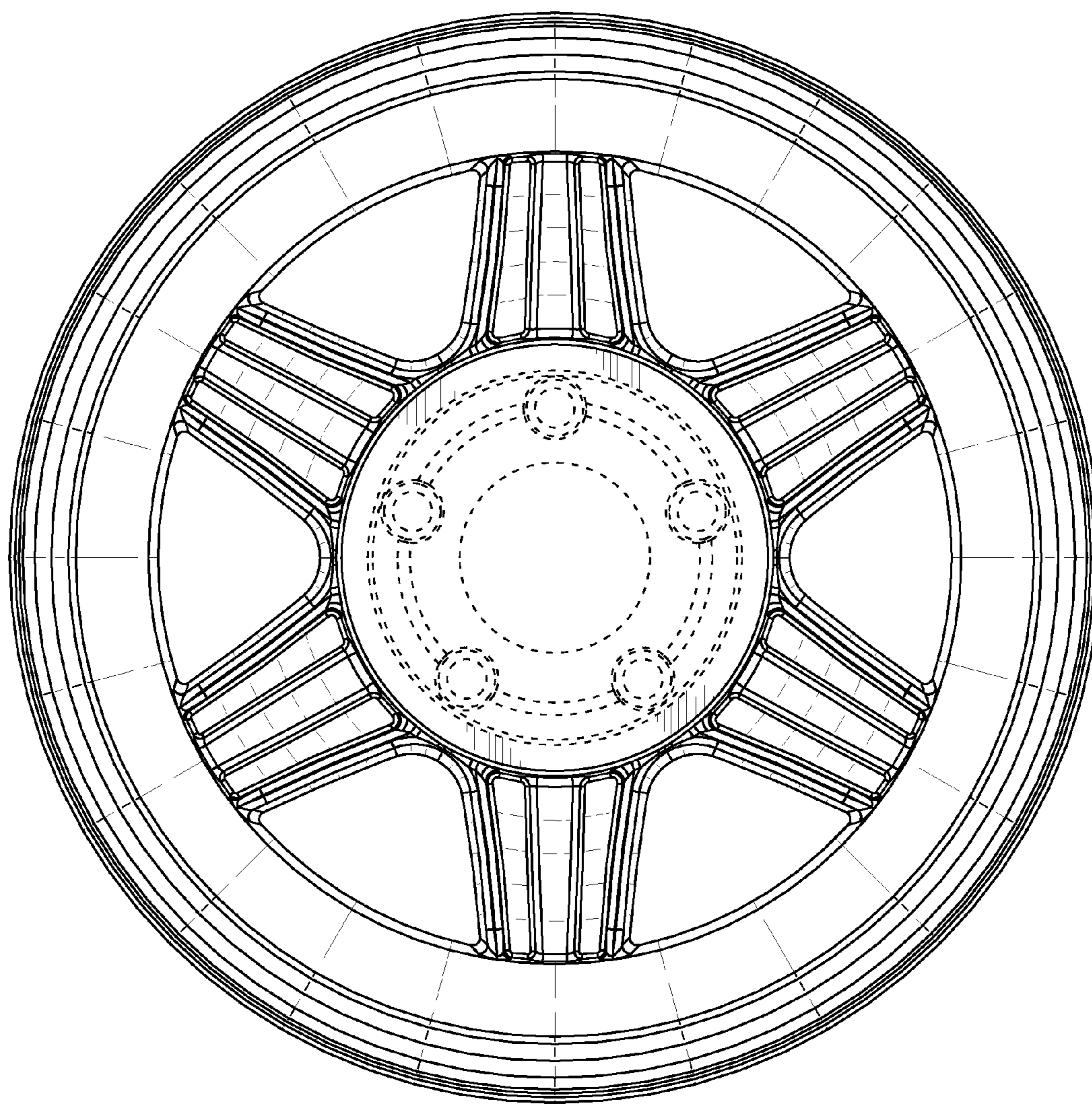


FIG. 2

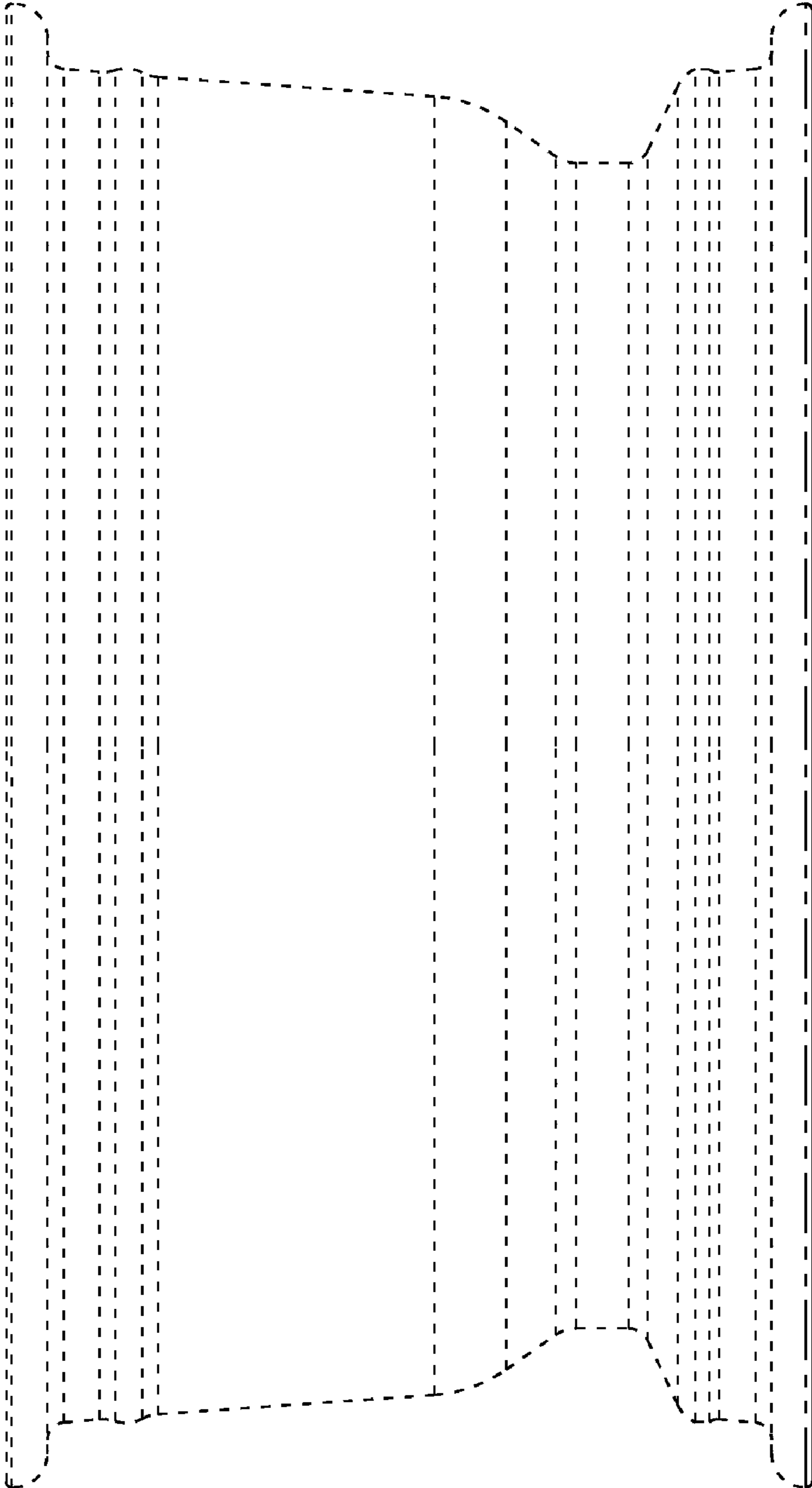


FIG. 3



FIG. 4



FIG. 5

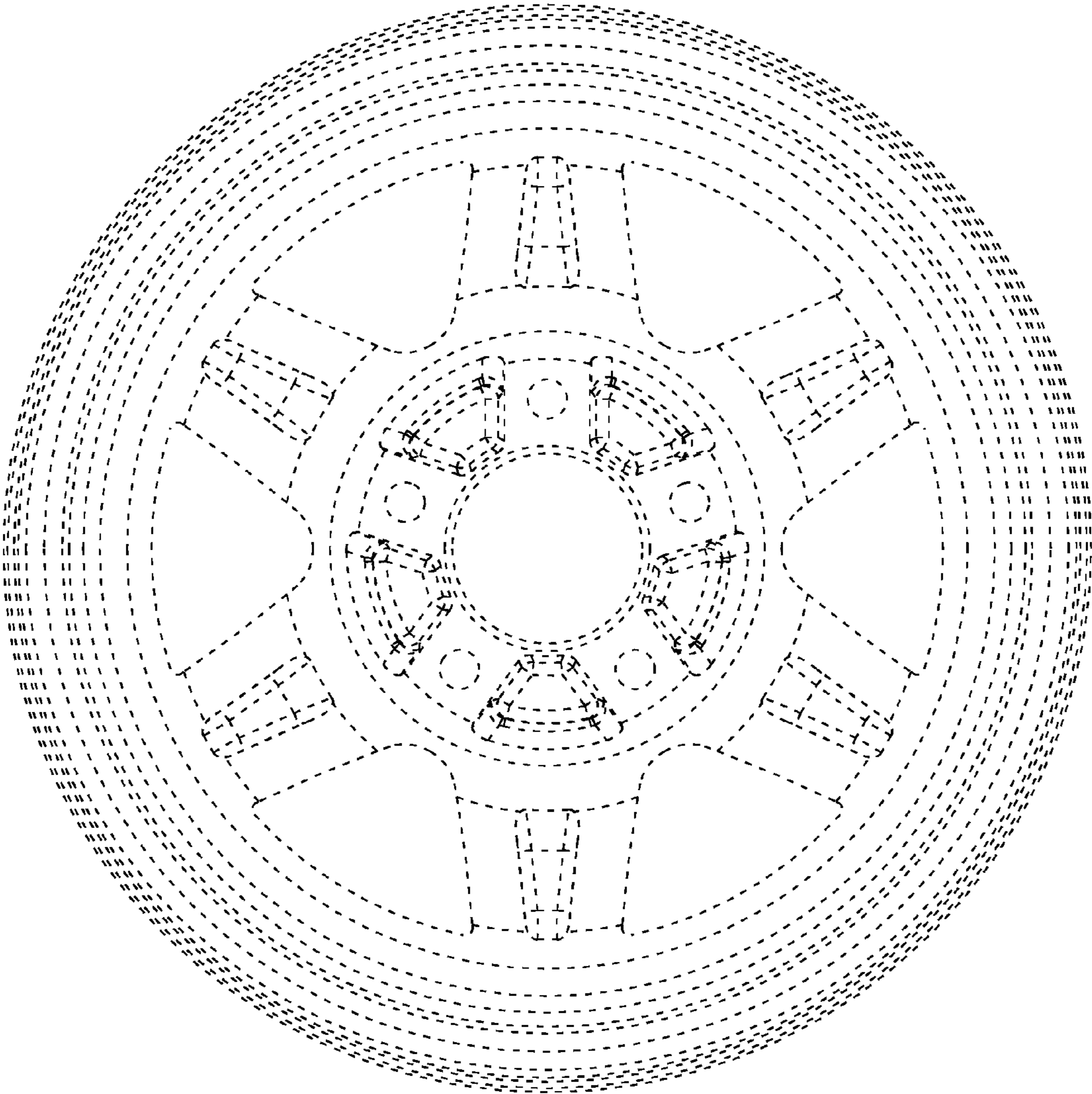


FIG. 6

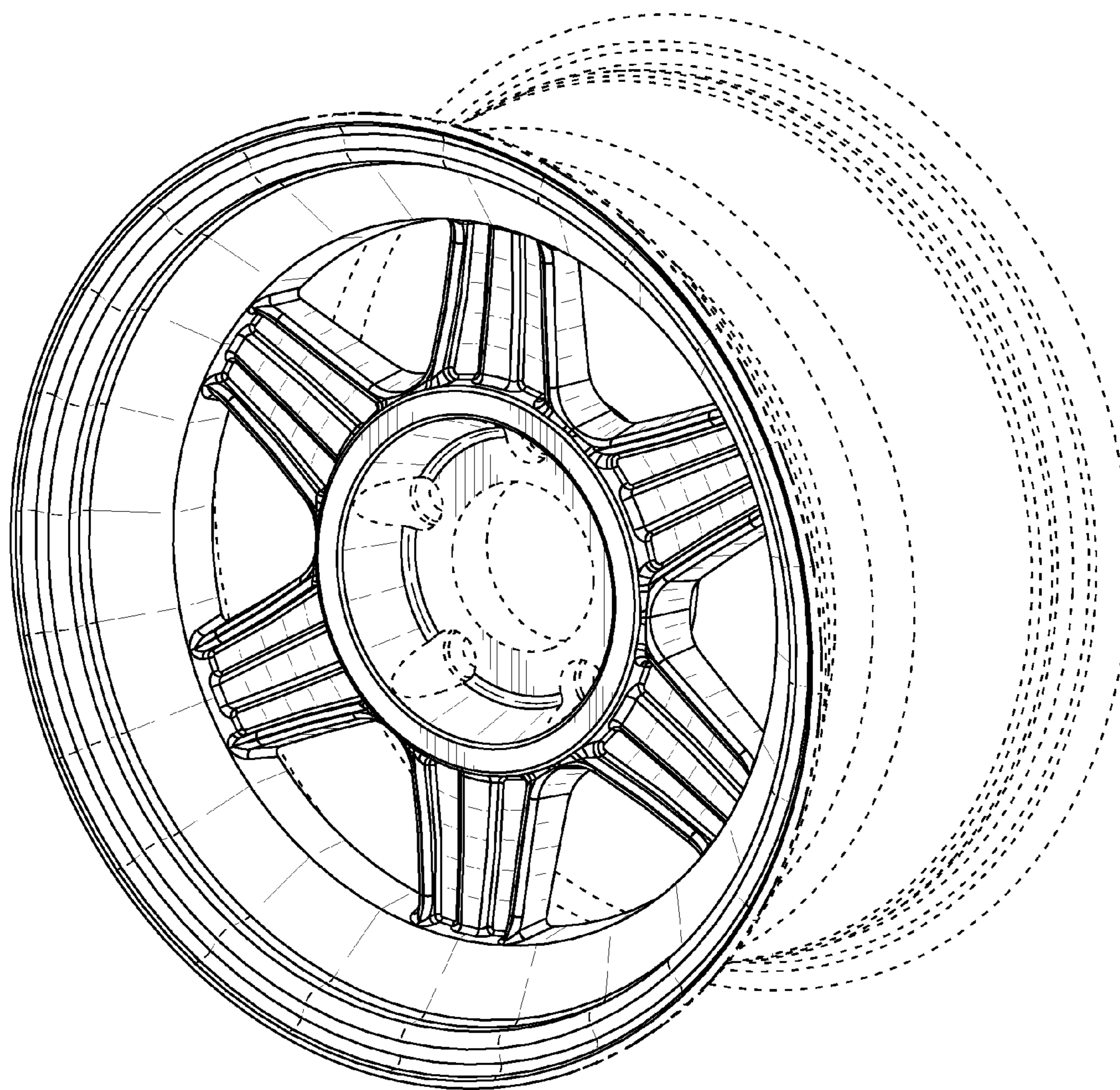


FIG. 7

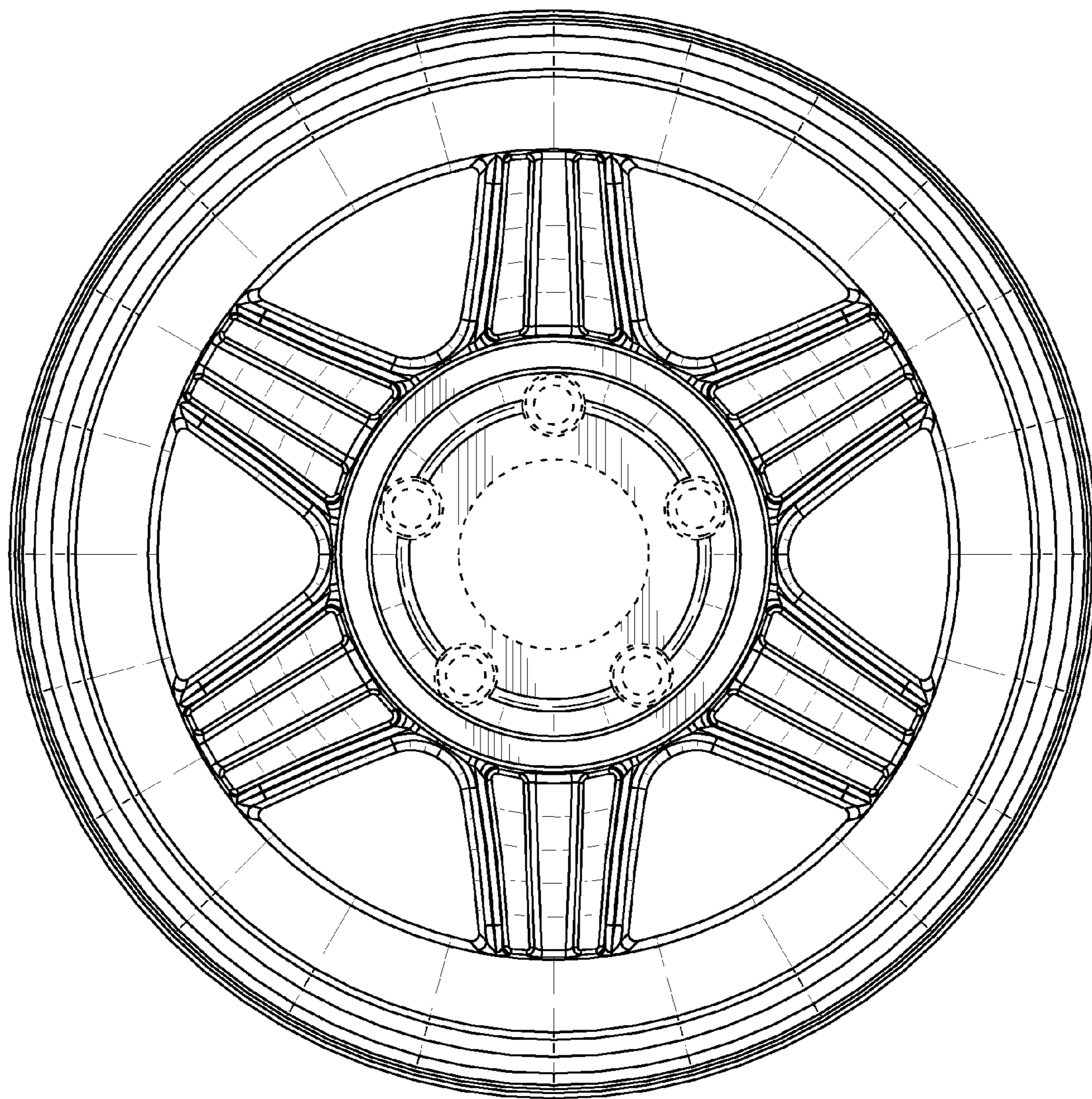


FIG. 8

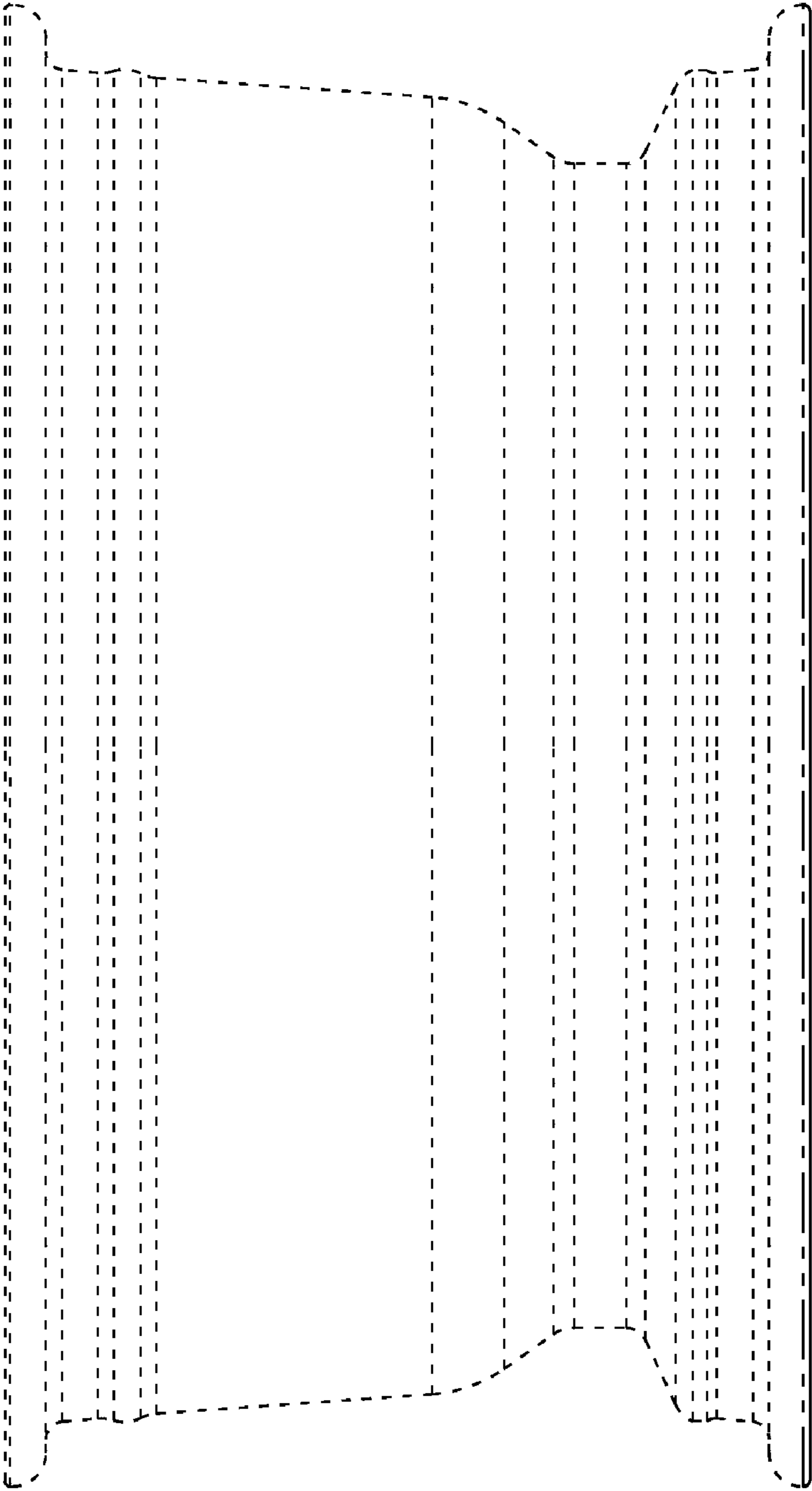


FIG. 9



FIG. 10

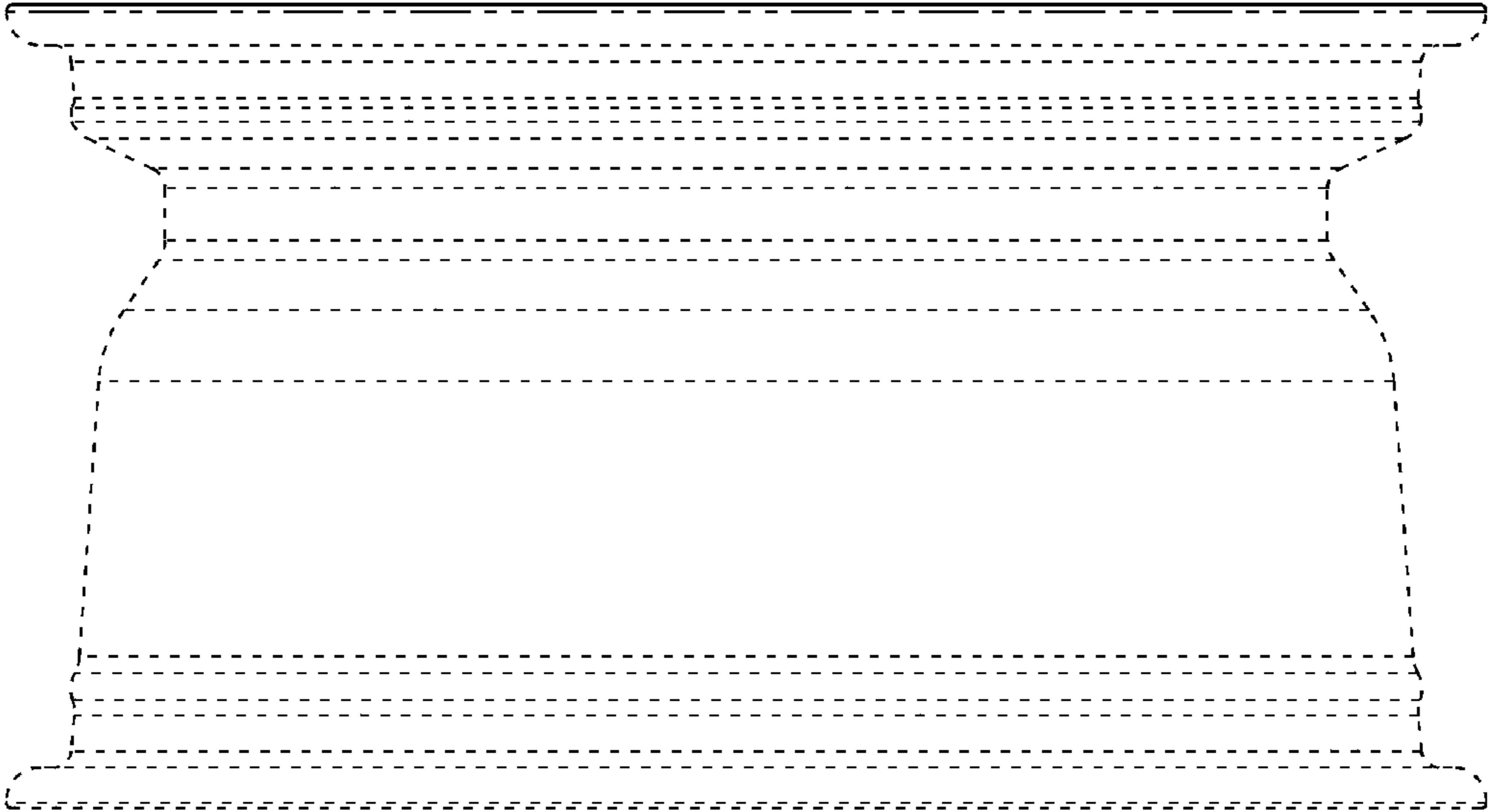


FIG. 11

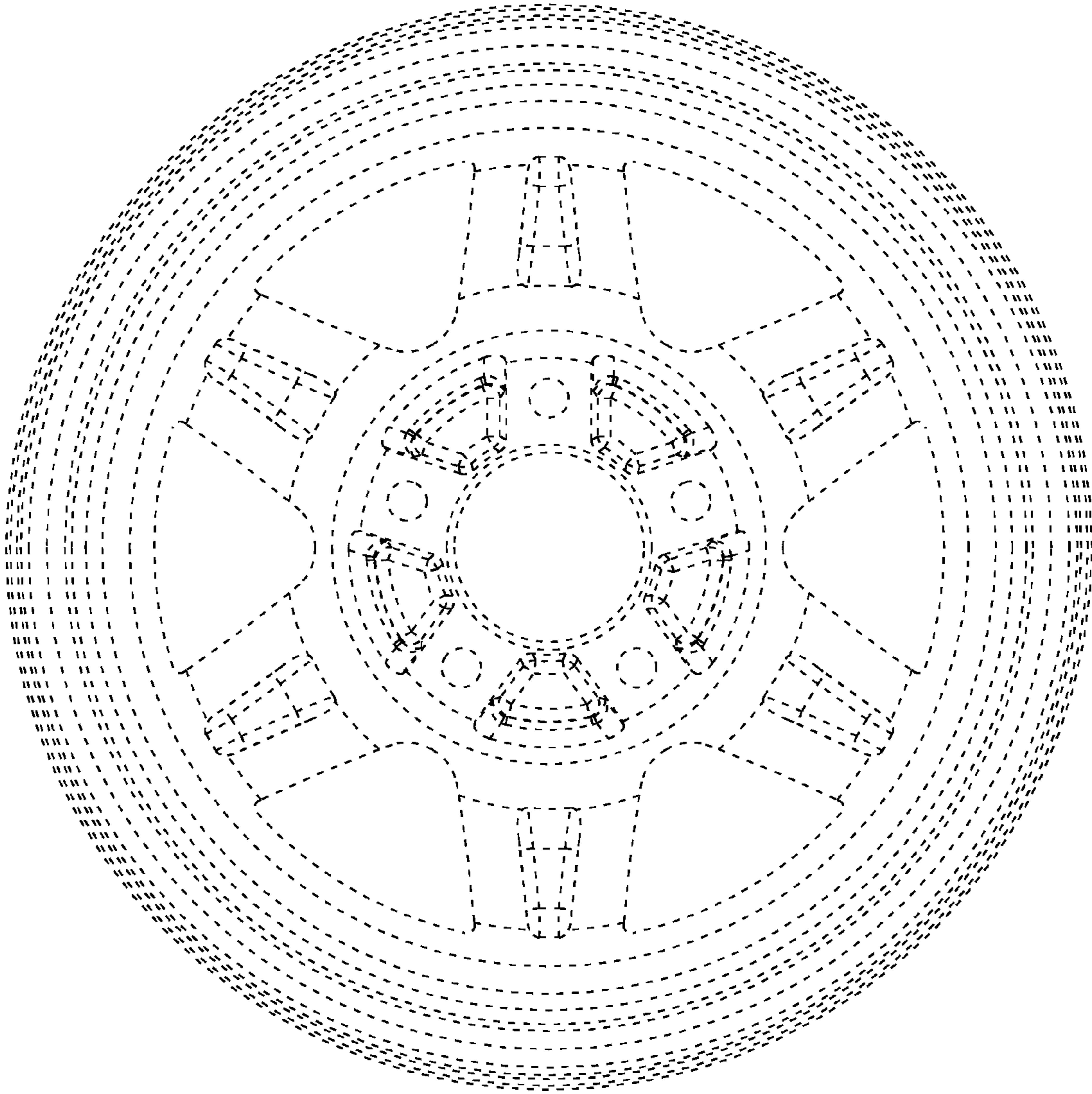


FIG. 12