



US00D638767S

(12) **United States Design Patent**
Groom

(10) **Patent No.:** **US D638,767 S**

(45) **Date of Patent:** **** May 31, 2011**

(54) **WHEEL**

(75) Inventor: **Colbey Groom**, Murrieta, CA (US)

(73) Assignee: **Wheel Pros, LLC**, Lakewood, CO (US)

(**) Term: **14 Years**

(21) Appl. No.: **29/355,497**

(22) Filed: **Feb. 9, 2010**

(51) **LOC (9) Cl.** **12-16**

(52) **U.S. Cl.** **D12/211**

(58) **Field of Classification Search** D12/204-213;
301/37.101, 64.101, 65, 64.201

See application file for complete search history.

(56) **References Cited**

U.S. PATENT DOCUMENTS

D412,149 S *	7/1999	Corioni	D12/211
D439,212 S *	3/2001	Neeper	D12/211
D485,523 S *	1/2004	Takechi	D12/209
D487,419 S *	3/2004	Kim	D12/211
D500,727 S *	1/2005	Thompson	D12/211
D528,960 S *	9/2006	Kim	D12/211
D535,240 S *	1/2007	Chang	D12/211
D540,733 S *	4/2007	Castiglione	D12/211
D597,013 S *	7/2009	Chung	D12/211
D613,662 S *	4/2010	Cortes	D12/211
D617,722 S *	6/2010	Zhao	D12/211
D620,869 S *	8/2010	Groom	D12/211
D624,478 S *	9/2010	Zhao	D12/211
D627,702 S *	11/2010	Chung	D12/211

D628,135 S * 11/2010 Zhao D12/211

* cited by examiner

Primary Examiner — Stacia Cadmus

(74) *Attorney, Agent, or Firm* — Garcia-Zamor IP Law; Ruy M. Garcia-Zamor

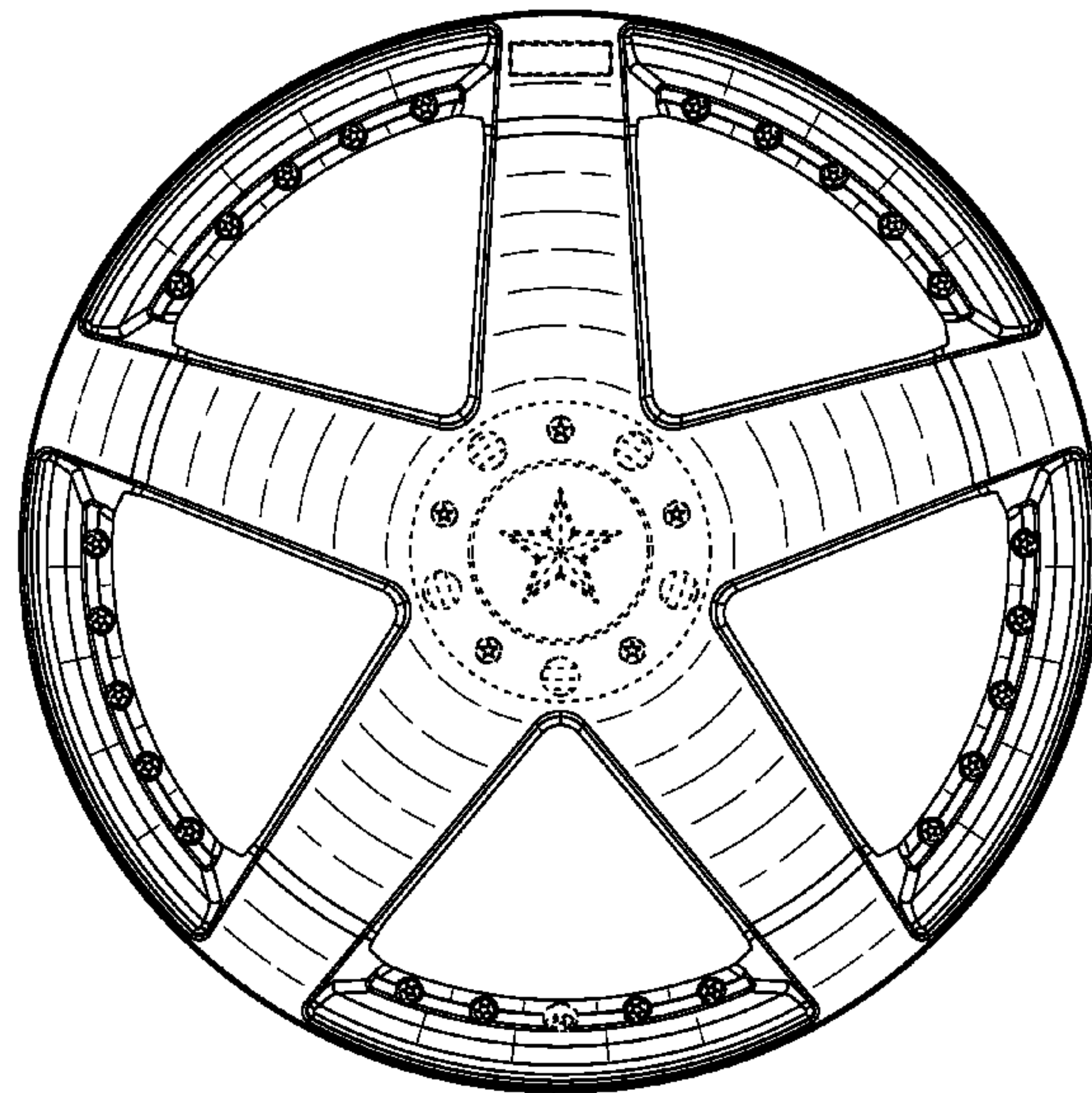
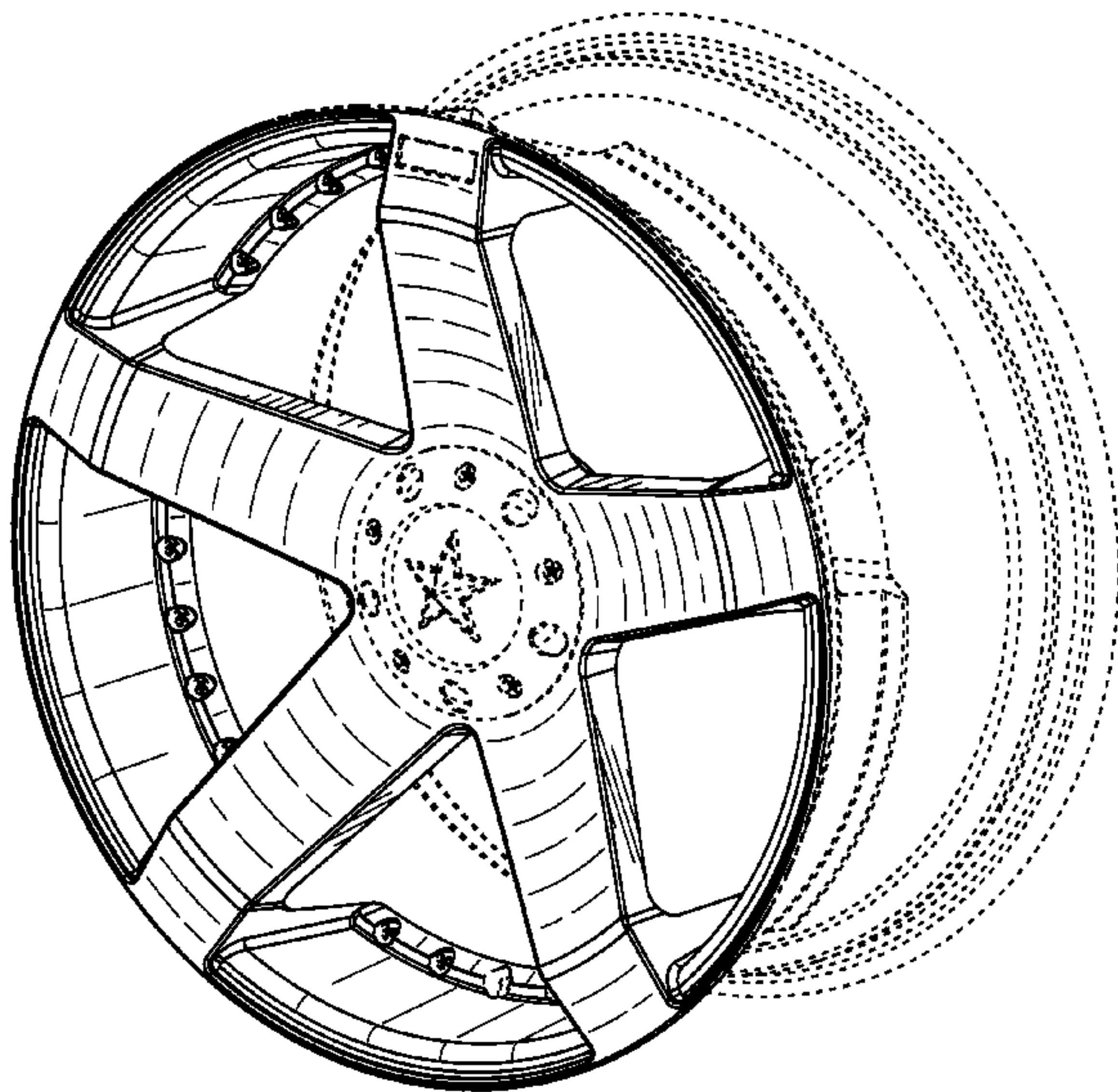
(57) **CLAIM**

The ornamental design for a wheel, as shown and described.

DESCRIPTION

FIG. 1 is a perspective view of a wheel according to a first preferred embodiment of my new design;
 FIG. 2 is a front elevational view of the wheel of FIG. 1;
 FIG. 3 is a left side elevational view of the wheel of FIG. 1, the right side elevational view of the wheel of FIG. 1 is a mirror image of FIG. 3;
 FIG. 4 is a top plan view of the wheel of FIG. 1;
 FIG. 5 is a bottom plan view of the wheel of FIG. 1;
 FIG. 6 is a rear elevational view of the wheel of FIG. 1;
 FIG. 7 is a perspective view of a wheel according to a second preferred embodiment of my new design;
 FIG. 8 is a front elevational view of the wheel of FIG. 7;
 FIG. 9 is a left side elevational view of the wheel of FIG. 7, the right side elevational view of the wheel of FIG. 7 is a mirror image of FIG. 9;
 FIG. 10 is a top plan view of the wheel of FIG. 7;
 FIG. 11 is a bottom plan view of the wheel of FIG. 7; and,
 FIG. 12 is a rear elevational view of the wheel of FIG. 7.
 The broken lines in FIGS. 1-12 represent environment and are for illustrative purposes only and do not constitute part of the claimed design.

1 Claim, 10 Drawing Sheets



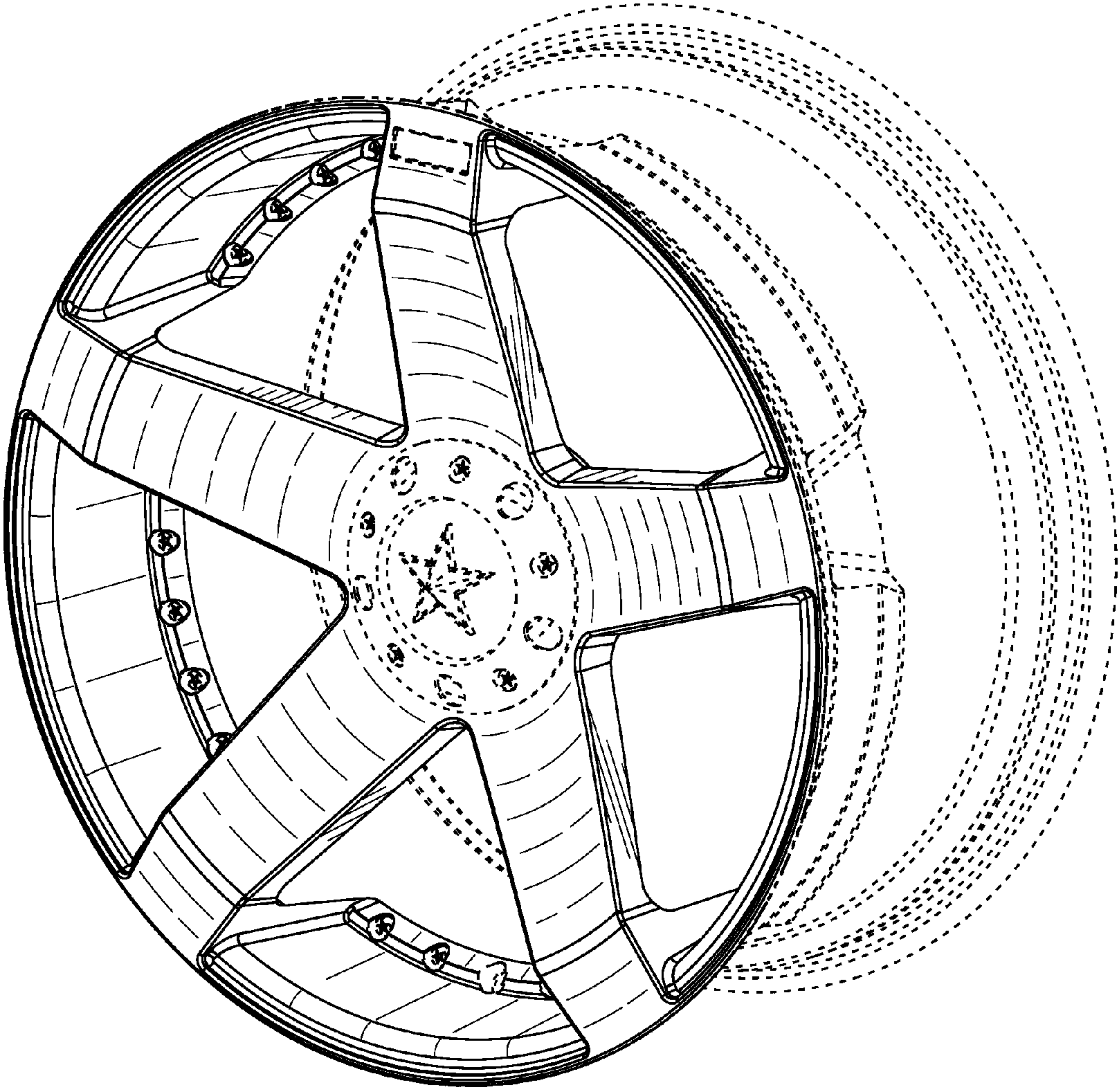


FIG. 1

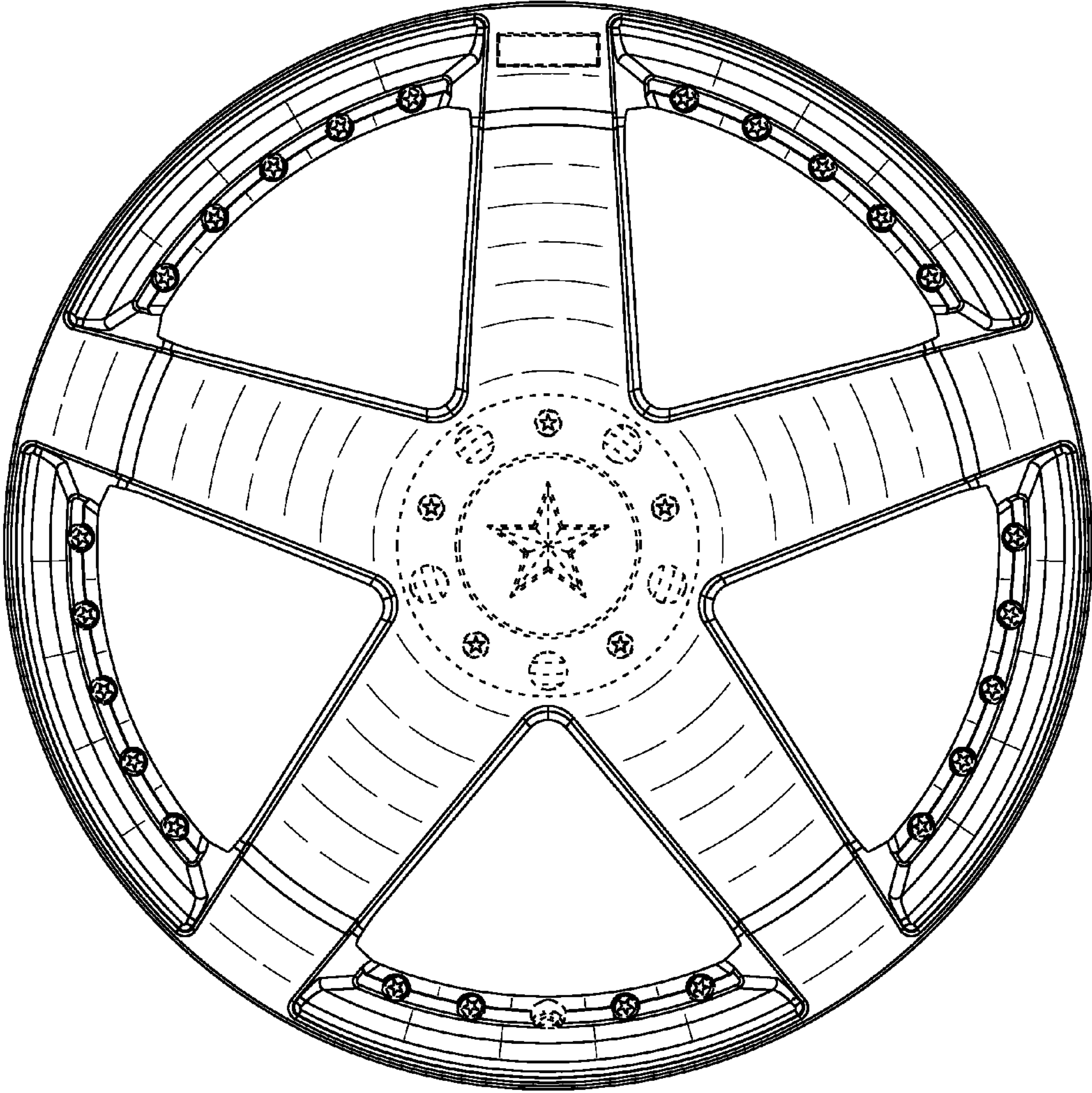


FIG. 2

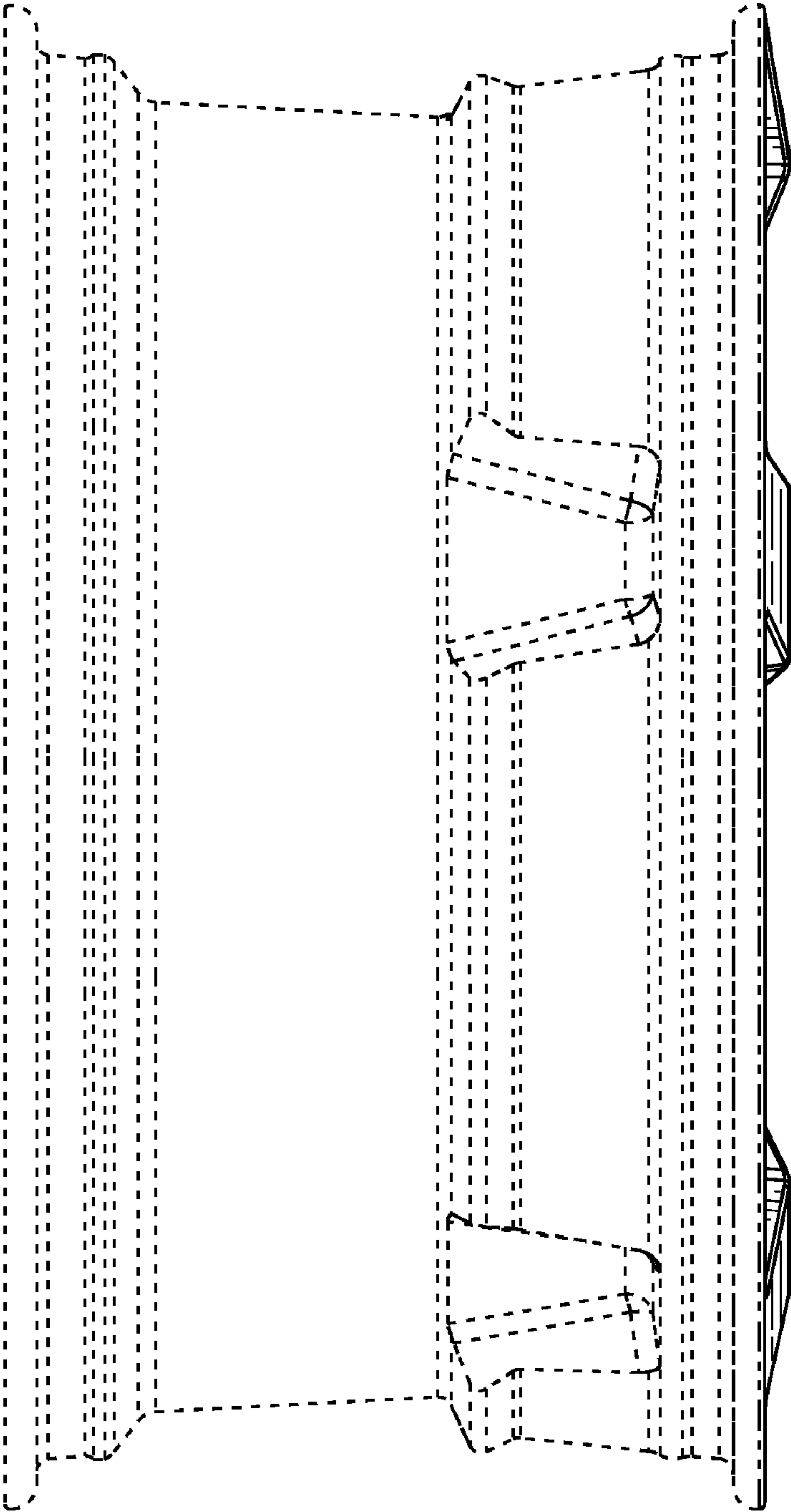


FIG. 3

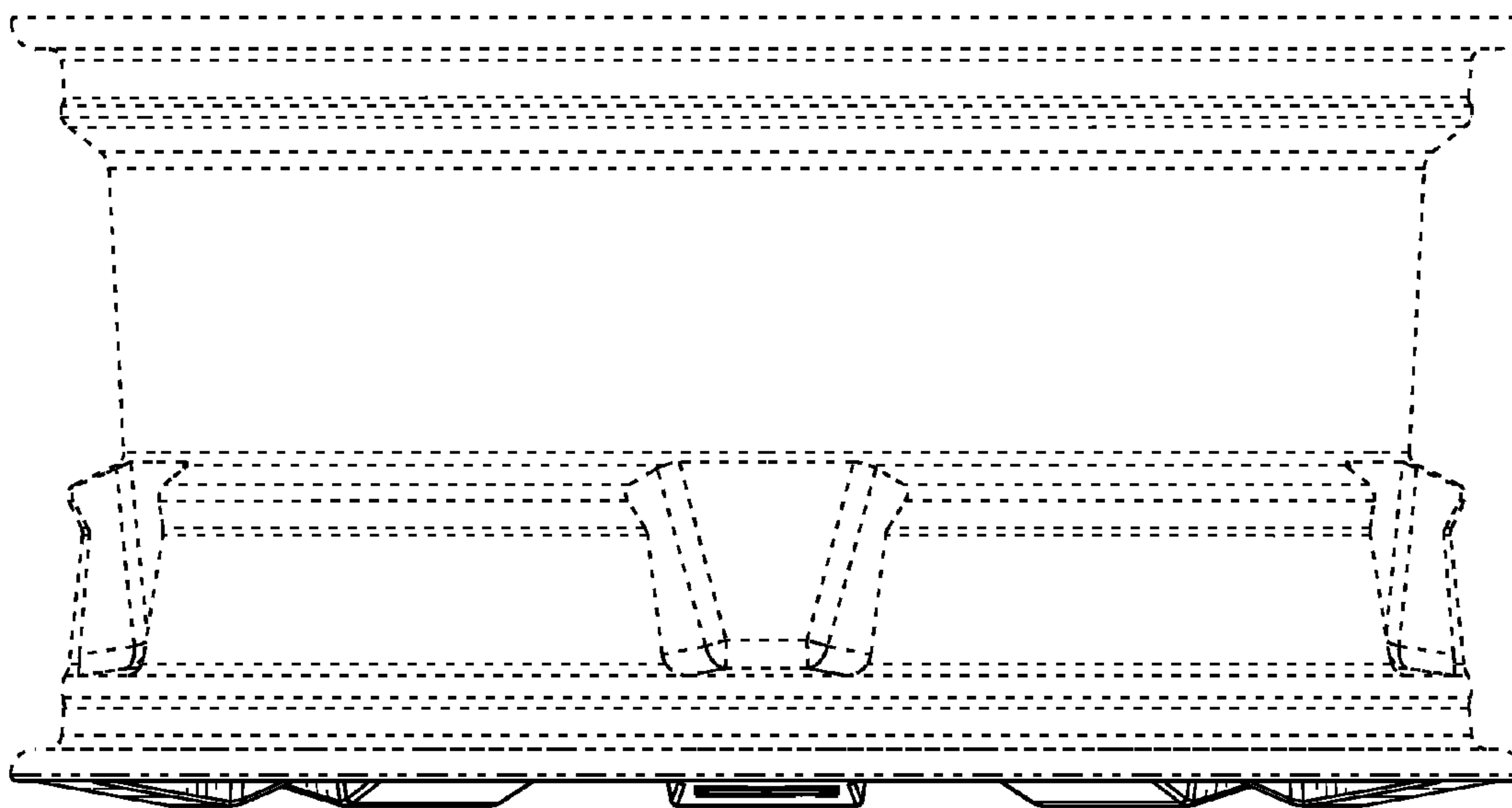


FIG. 4

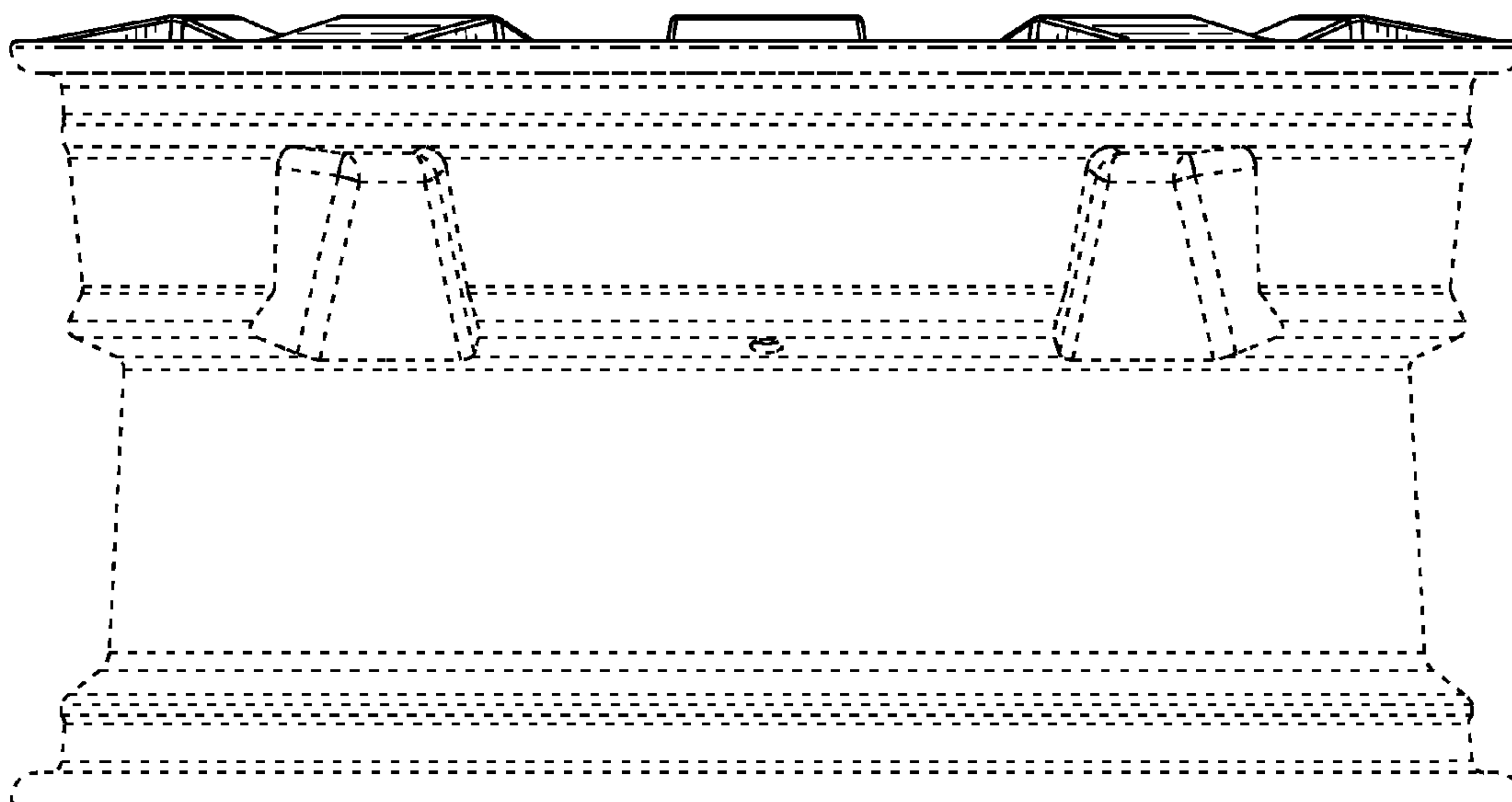


FIG. 5

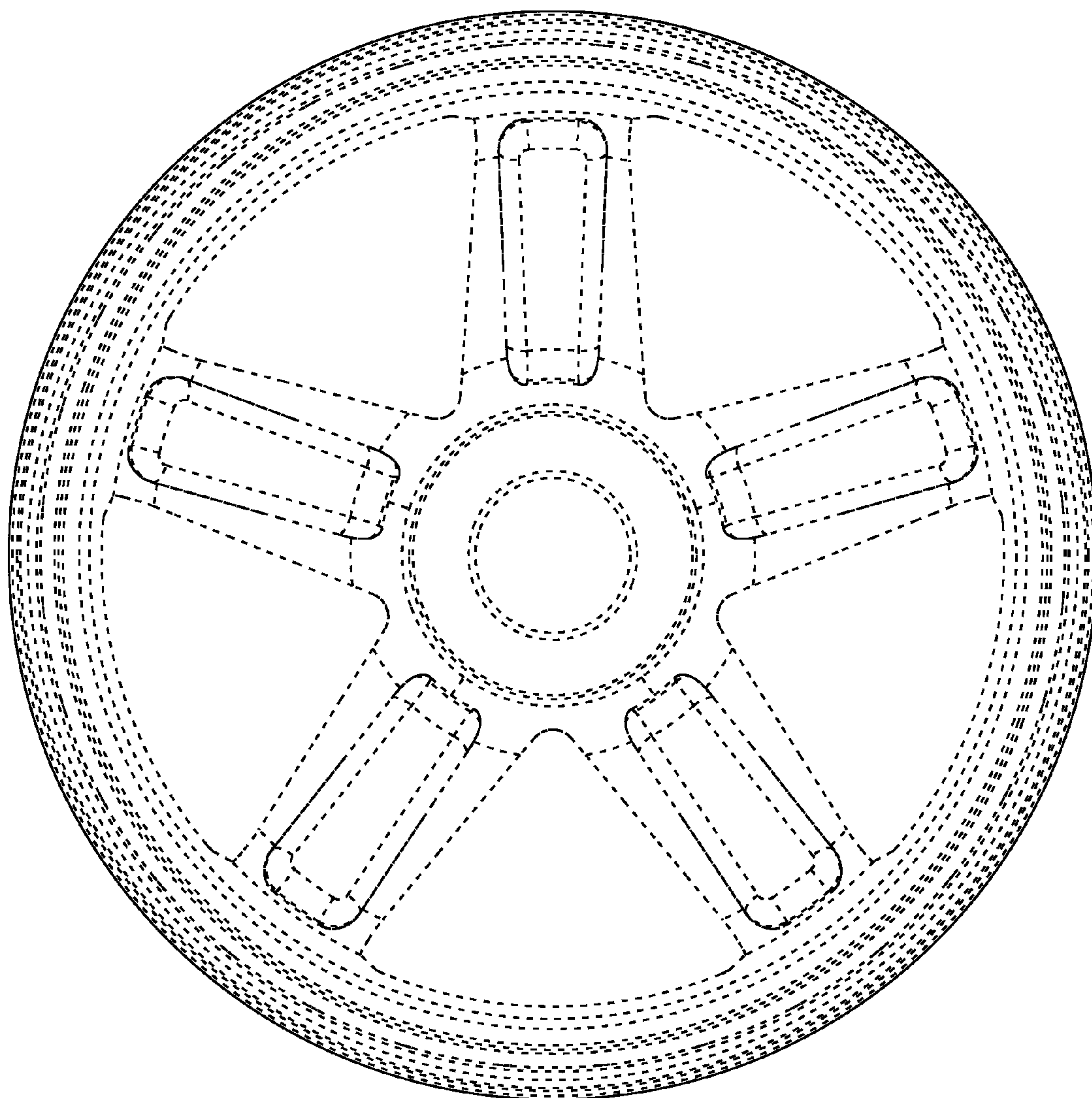


FIG. 6

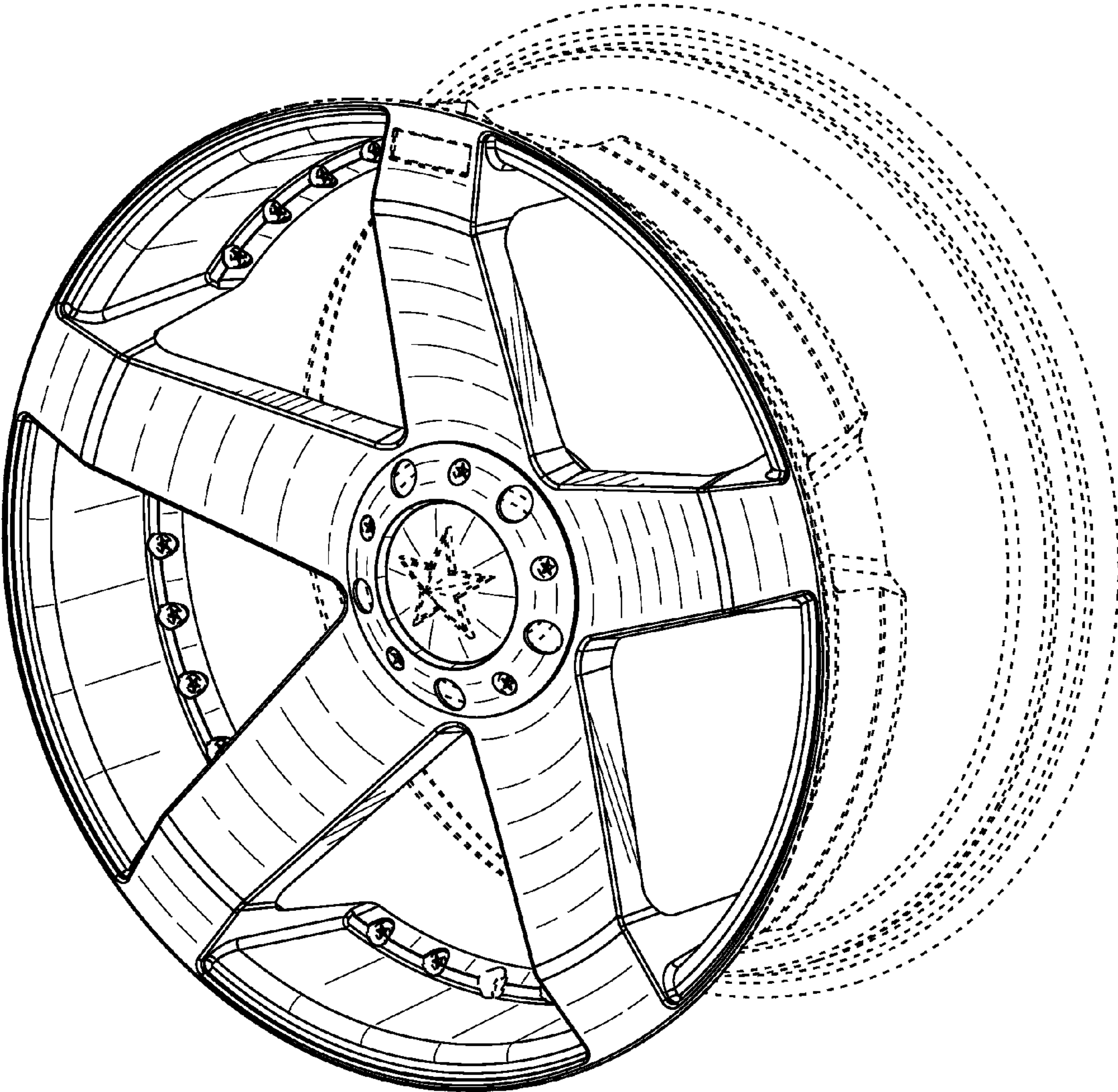


FIG. 7

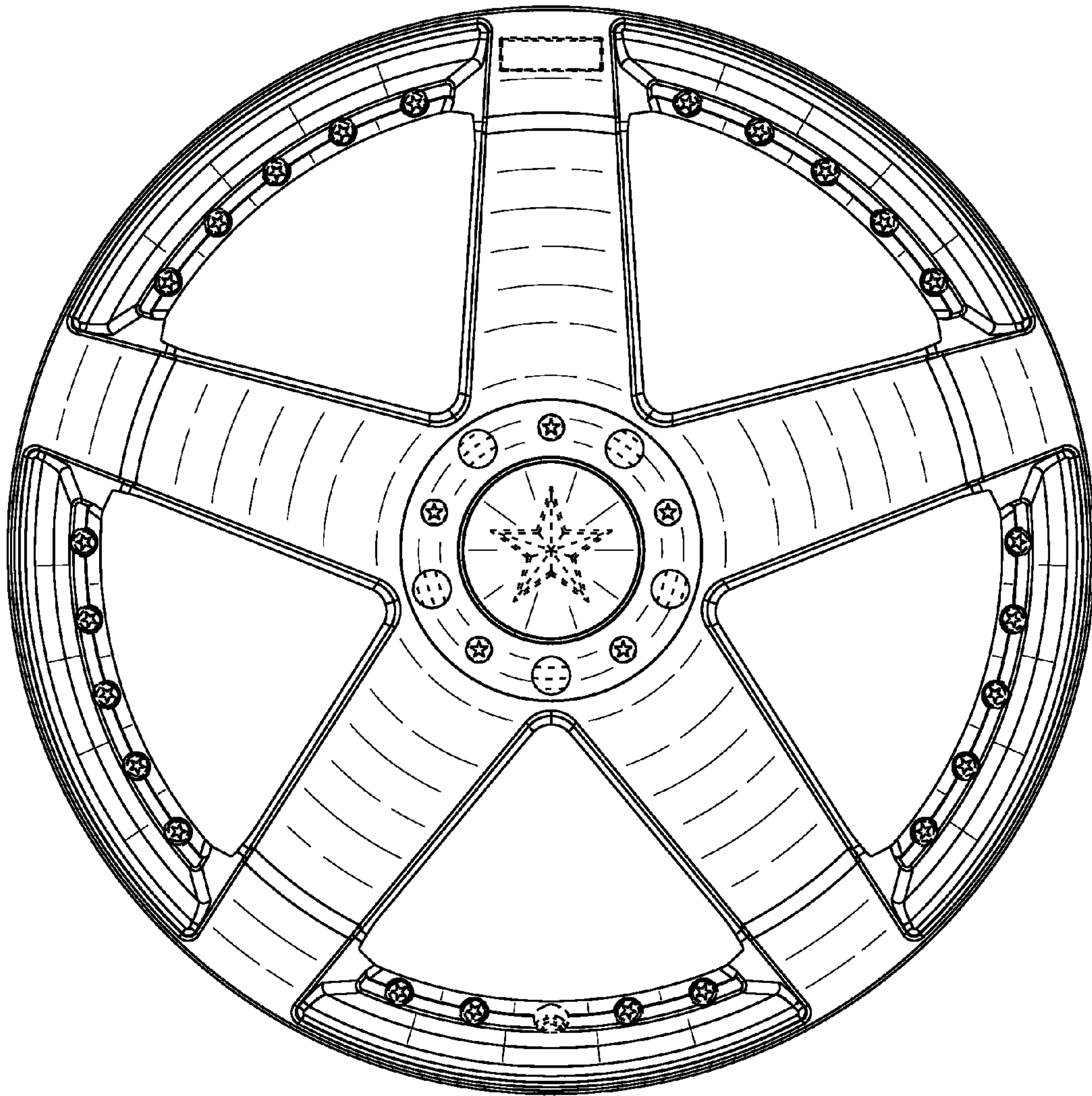


FIG. 8

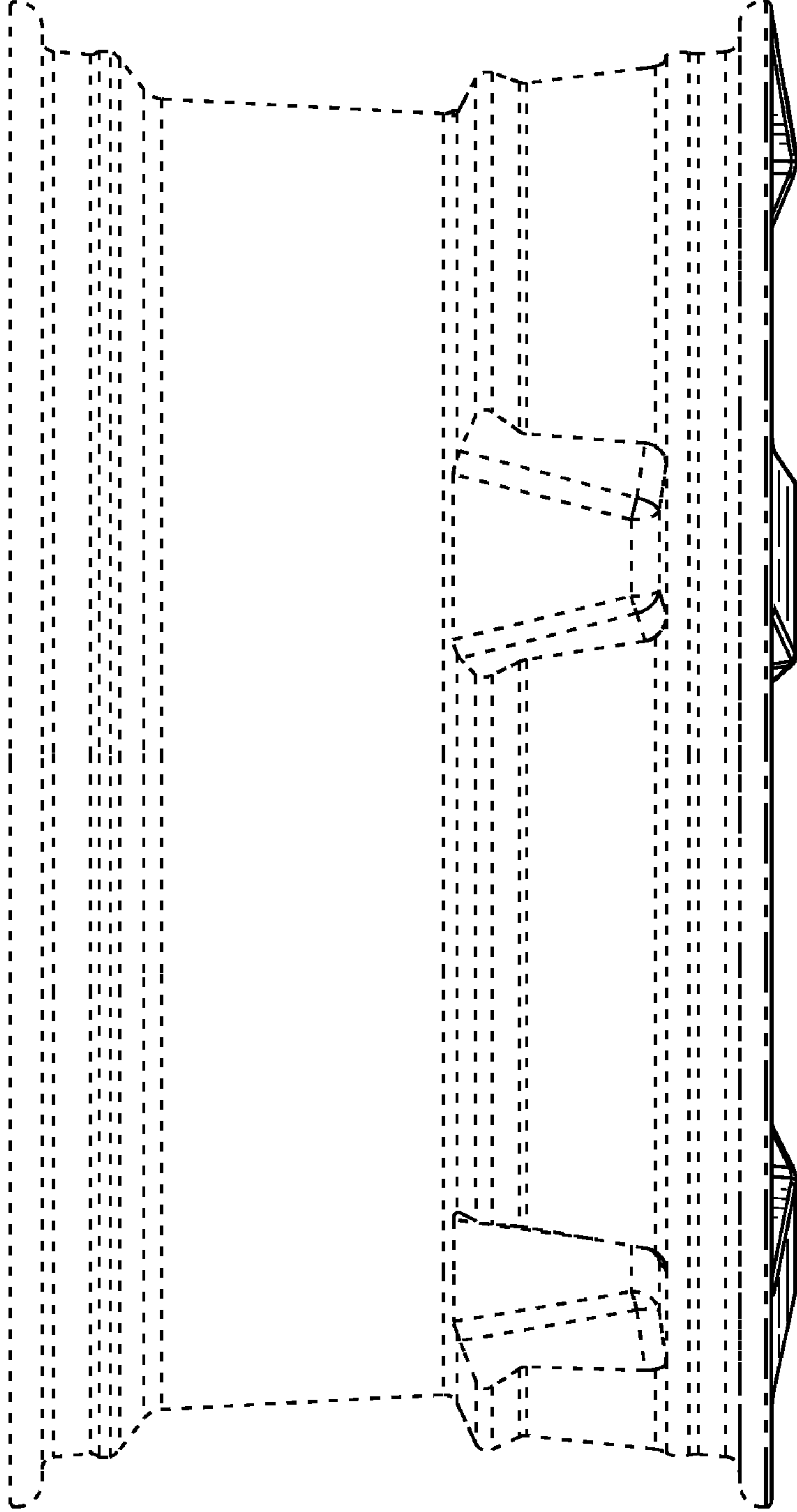


FIG. 9

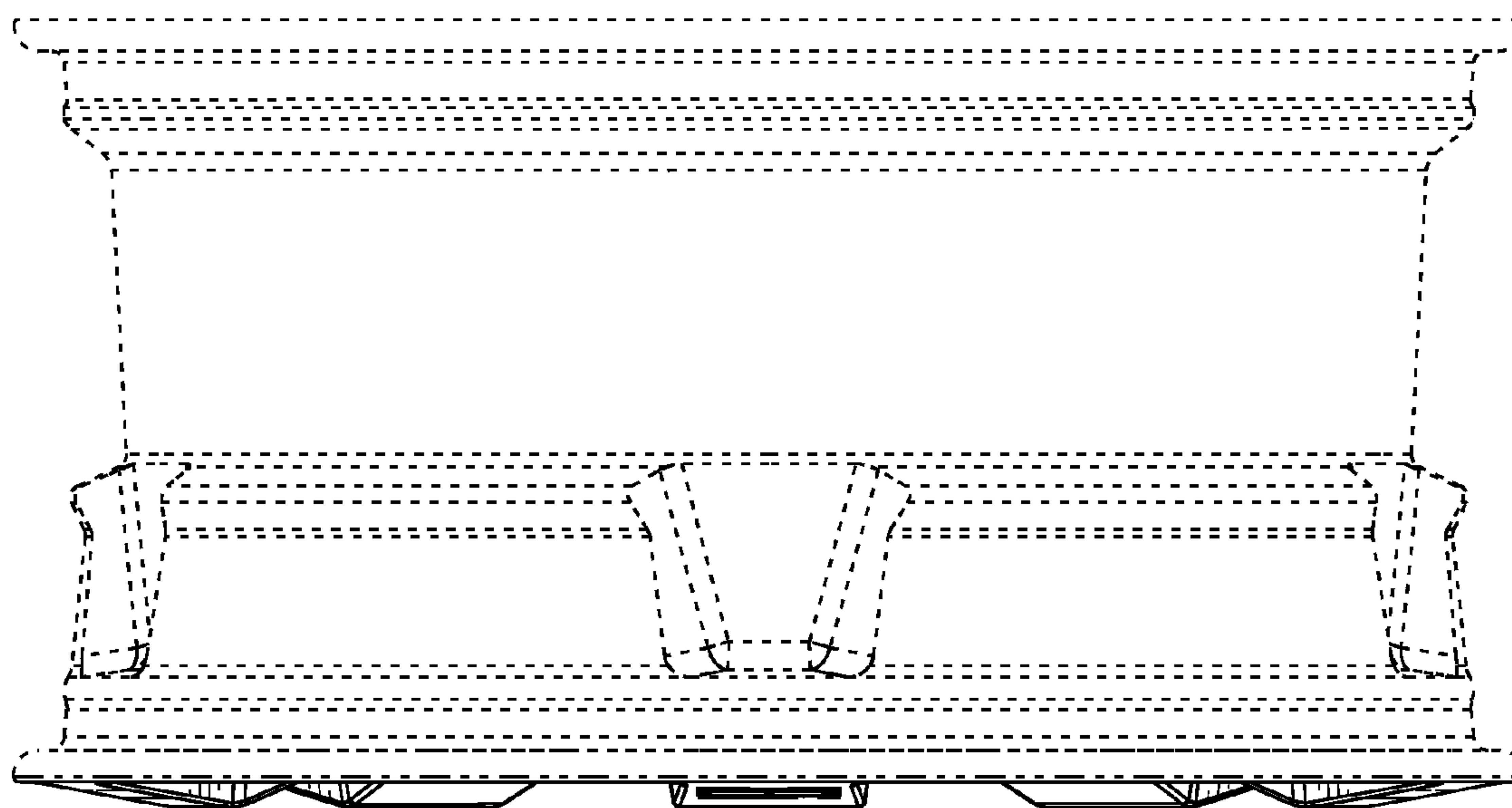


FIG. 10

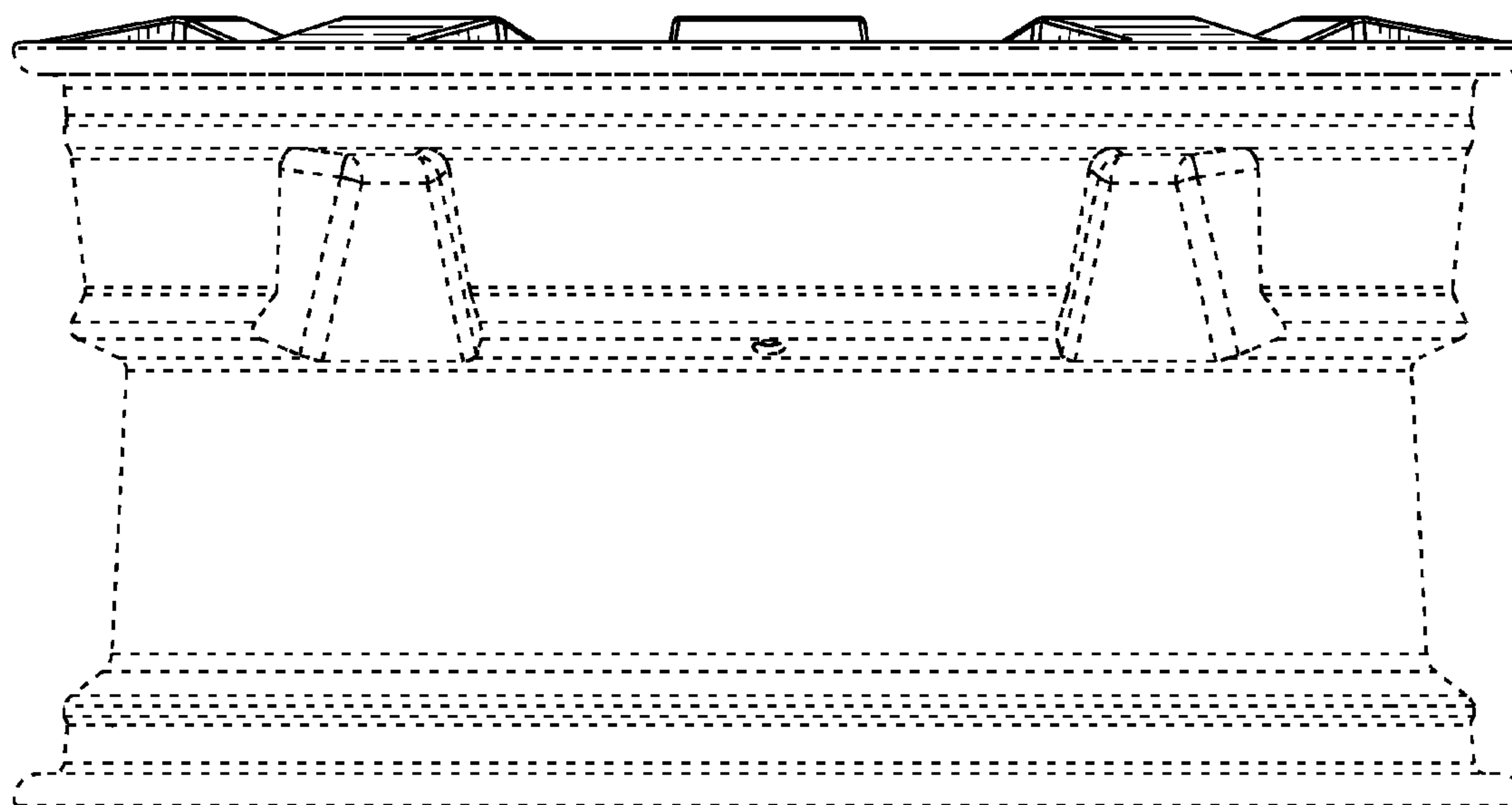


FIG. 11

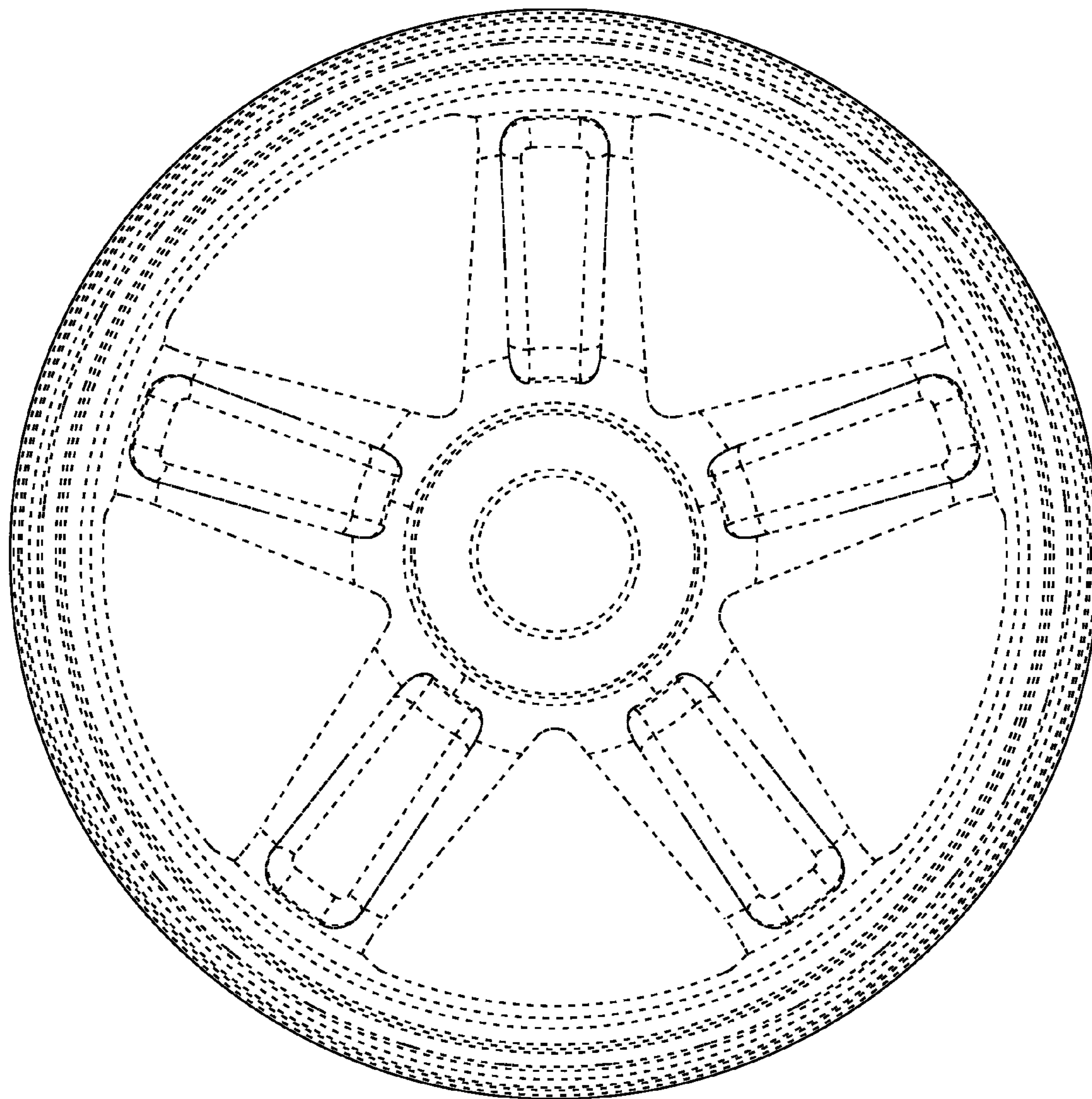


FIG. 12