



US00D638766S

(12) **United States Design Patent**
Hilpert

(10) **Patent No.:** **US D638,766 S**

(45) **Date of Patent:** **** May 31, 2011**

(54) **WHEEL OR WHEEL COVER**

(75) **Inventor:** **Kai Hilpert**, Plochingen (DE)

(73) **Assignee:** **Daimler AG**, Stuttgart (DE)

(**) **Term:** **14 Years**

(21) **Appl. No.:** **29/347,025**

(22) **Filed:** **Aug. 26, 2009**

(30) **Foreign Application Priority Data**

Feb. 27, 2009 (EM) 001093769-0004

(51) **LOC (9) Cl.** **12-16**

(52) **U.S. Cl.** **D12/211**

(58) **Field of Classification Search** D12/204-213;
301/37.101, 64.101, 65, 64.201

See application file for complete search history.

(56) **References Cited**

U.S. PATENT DOCUMENTS

D339,561 S *	9/1993	Maiworm et al.	D12/211
D450,649 S *	11/2001	Penzes	D12/211
D473,836 S *	4/2003	Laengerer	D12/211
D504,101 S *	4/2005	Pfeiffer	D12/211

D522,950 S *	6/2006	Pfeiffer	D12/211
D530,256 S *	10/2006	Pfeiffer	D12/211
D543,923 S *	6/2007	Hieke	D12/211
D590,320 S *	4/2009	Scheu	D12/211
D593,474 S *	6/2009	Flueckiger	D12/209
D596,548 S *	7/2009	Gallert	D12/211
D599,268 S *	9/2009	Bernoni	D12/211
D610,516 S *	2/2010	Dilber et al.	D12/211
D623,111 S *	9/2010	Spoerle	D12/211
D632,239 S *	2/2011	Gallert	D12/211

* cited by examiner

Primary Examiner — Stacia Cadmus

(74) *Attorney, Agent, or Firm* — Crowell & Moring LLP

(57) **CLAIM**

The ornamental design for a wheel or wheel cover, as shown and described.

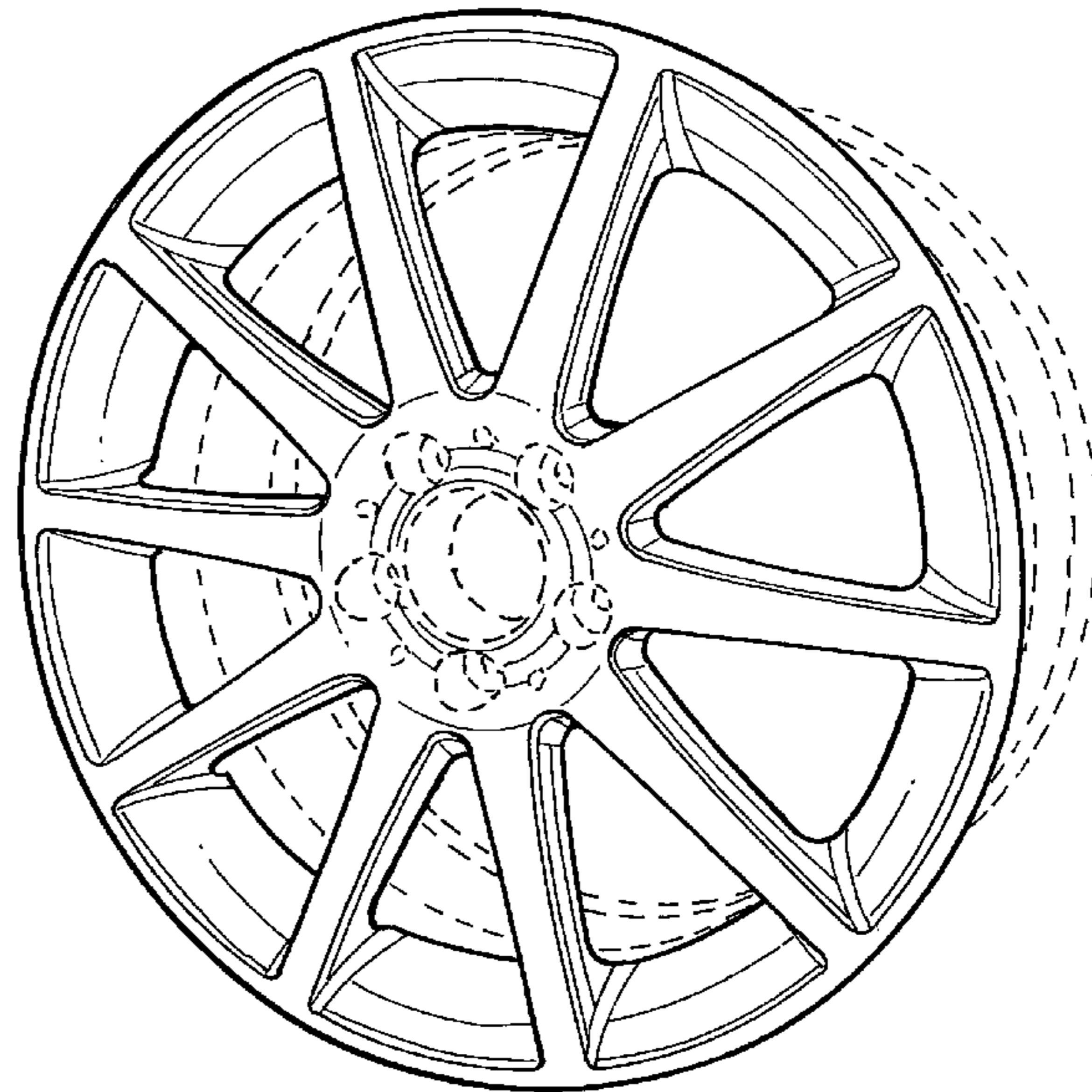
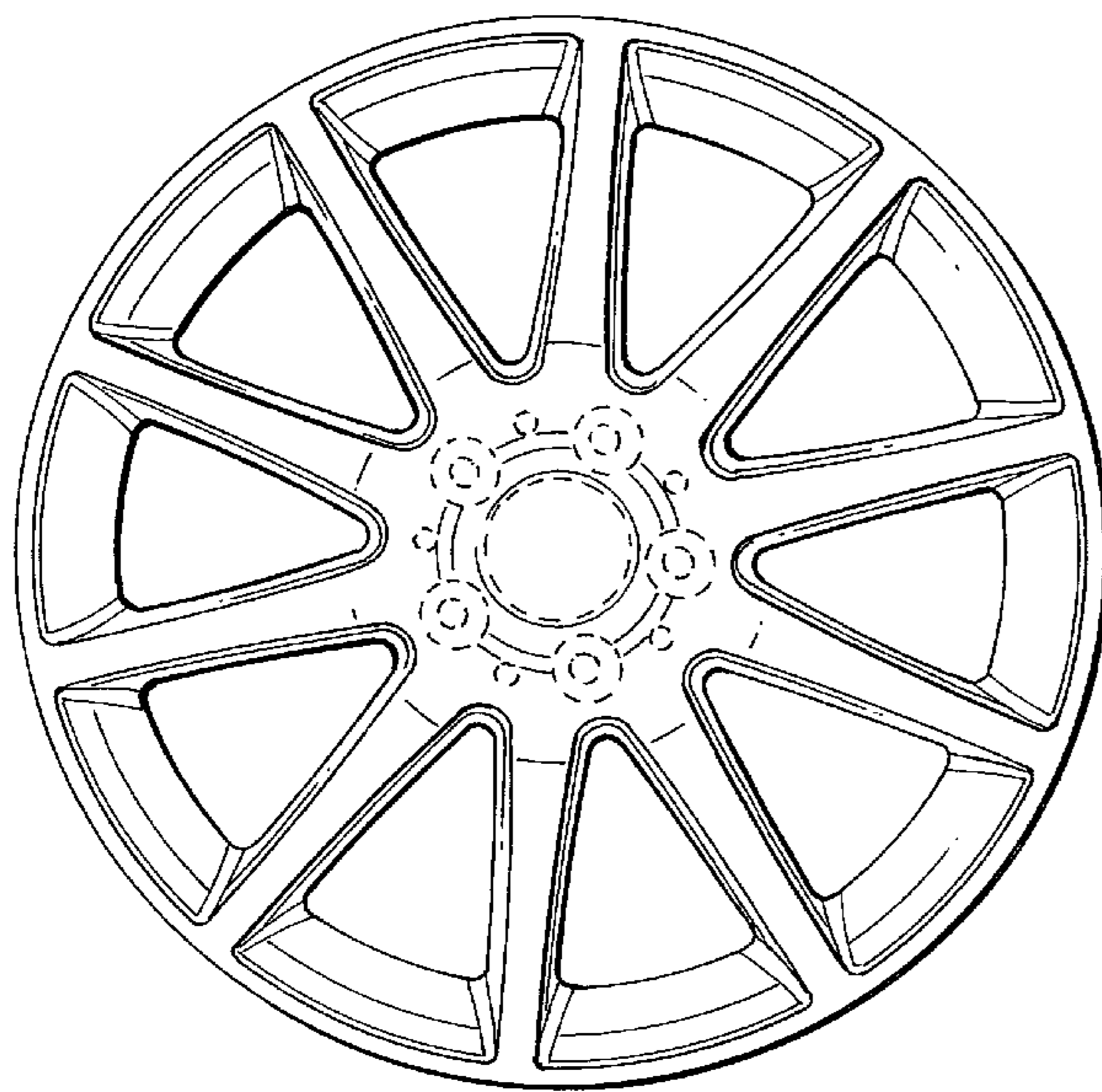
DESCRIPTION

FIG. 1 is a front view of a wheel or wheel cover according to my design; and,

FIG. 2 is a perspective view thereof.

The broken line showing of the rear of the wheel, the bolt holes and the center hole in the central hub area is included for the purpose of illustrating environment and forms no part of the claimed design.

1 Claim, 1 Drawing Sheet



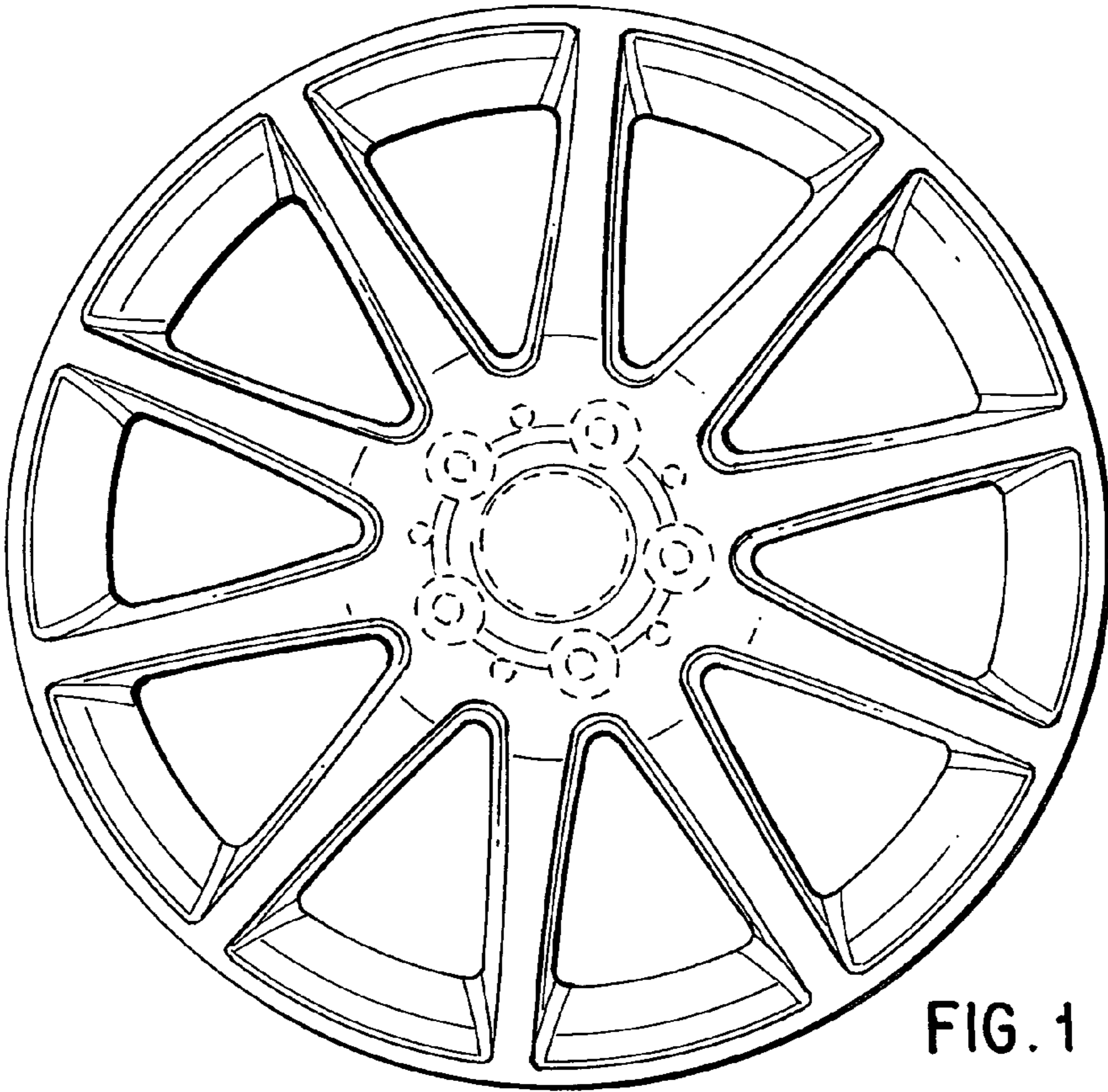


FIG. 1

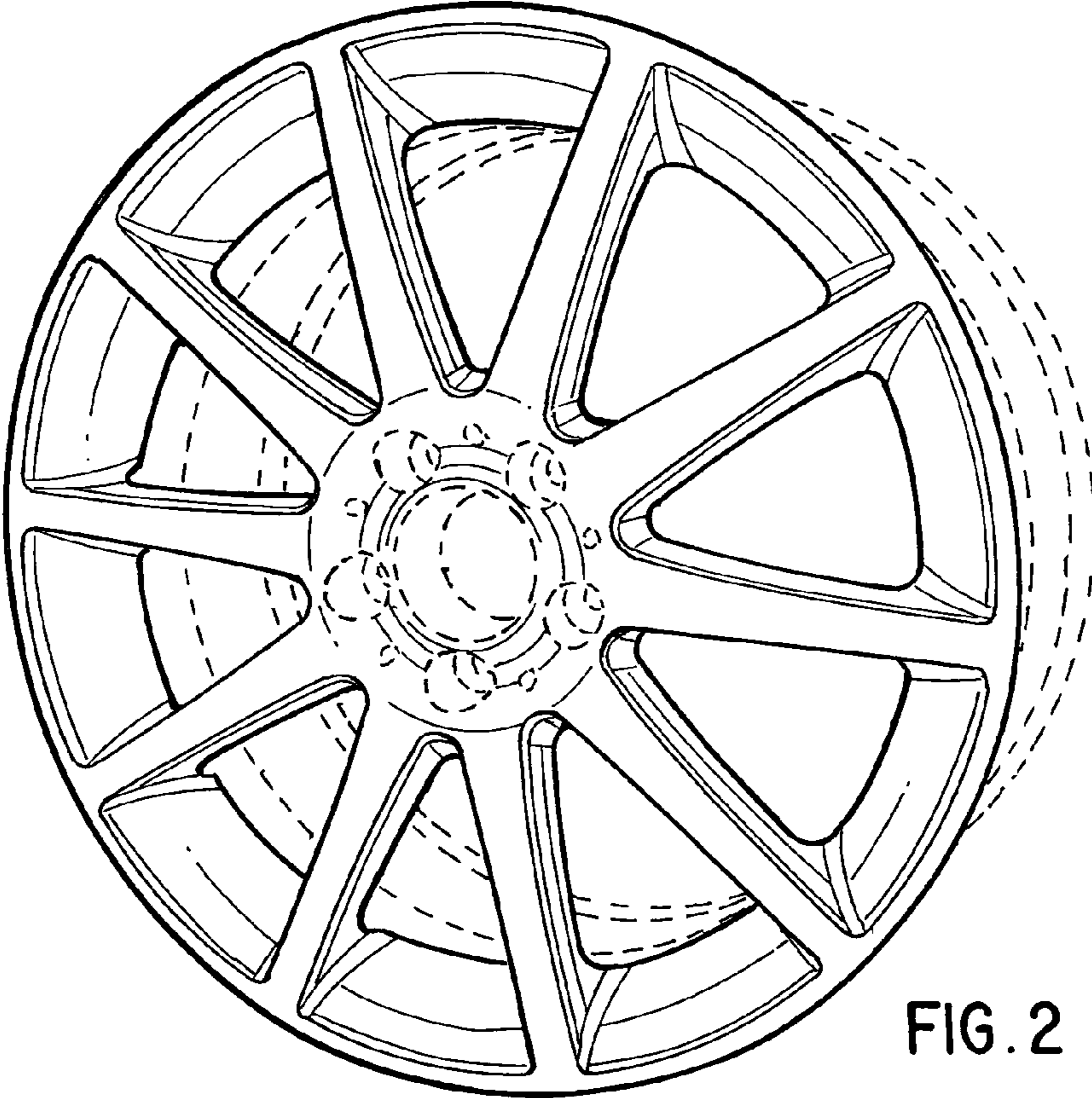


FIG. 2