



US00D638765S

(12) **United States Design Patent**
Yoon

(10) **Patent No.:** **US D638,765 S**

(45) **Date of Patent:** **** May 31, 2011**

(54) **FRONT FACE OF A VEHICLE WHEEL**

(75) Inventor: **Il-Hun Yoon**, Stuttgart (DE)

(73) Assignee: **Daimler AG**, Stuttgart (DE)

(**) Term: **14 Years**

(21) Appl. No.: **29/300,665**

(22) Filed: **Apr. 23, 2008**

(30) **Foreign Application Priority Data**

Oct. 24, 2007 (EM) 000813977-0007

(51) **LOC (9) Cl.** **12-16**

(52) **U.S. Cl.** **D12/211**

(58) **Field of Classification Search** D12/204-213;
301/37.101, 64.101, 65, 64.201

See application file for complete search history.

(56) **References Cited**

U.S. PATENT DOCUMENTS

D520,933 S *	5/2006	Pfeiffer	D12/211
D522,950 S *	6/2006	Pfeiffer	D12/211
D528,962 S *	9/2006	Blasi	D12/211
D530,256 S *	10/2006	Pfeiffer	D12/211
D539,722 S *	4/2007	Pfeiffer	D12/211
D585,009 S *	1/2009	Rak	D12/211

D590,320 S *	4/2009	Scheu	D12/211
D593,020 S *	5/2009	Blasi	D12/211
D595,202 S *	6/2009	Spoerle	D12/211
D596,548 S *	7/2009	Gallert	D12/211
D610,516 S *	2/2010	Dilber et al.	D12/211
D617,253 S *	6/2010	Zhao	D12/211
D618,155 S *	6/2010	Zhao	D12/211
D623,111 S *	9/2010	Spoerle	D12/211
D623,116 S *	9/2010	Zhao	D12/211
D626,488 S *	11/2010	Yoon	D12/211
D632,239 S *	2/2011	Gallert	D12/211

* cited by examiner

Primary Examiner — Stacia Cadmus

(74) *Attorney, Agent, or Firm* — Crowell & Moring LLP

(57) **CLAIM**

The ornamental design for a front face of a vehicle wheel, as shown and described.

DESCRIPTION

FIG. 1 is a front view of a first embodiment of a front face of a vehicle wheel according to my novel design; and,

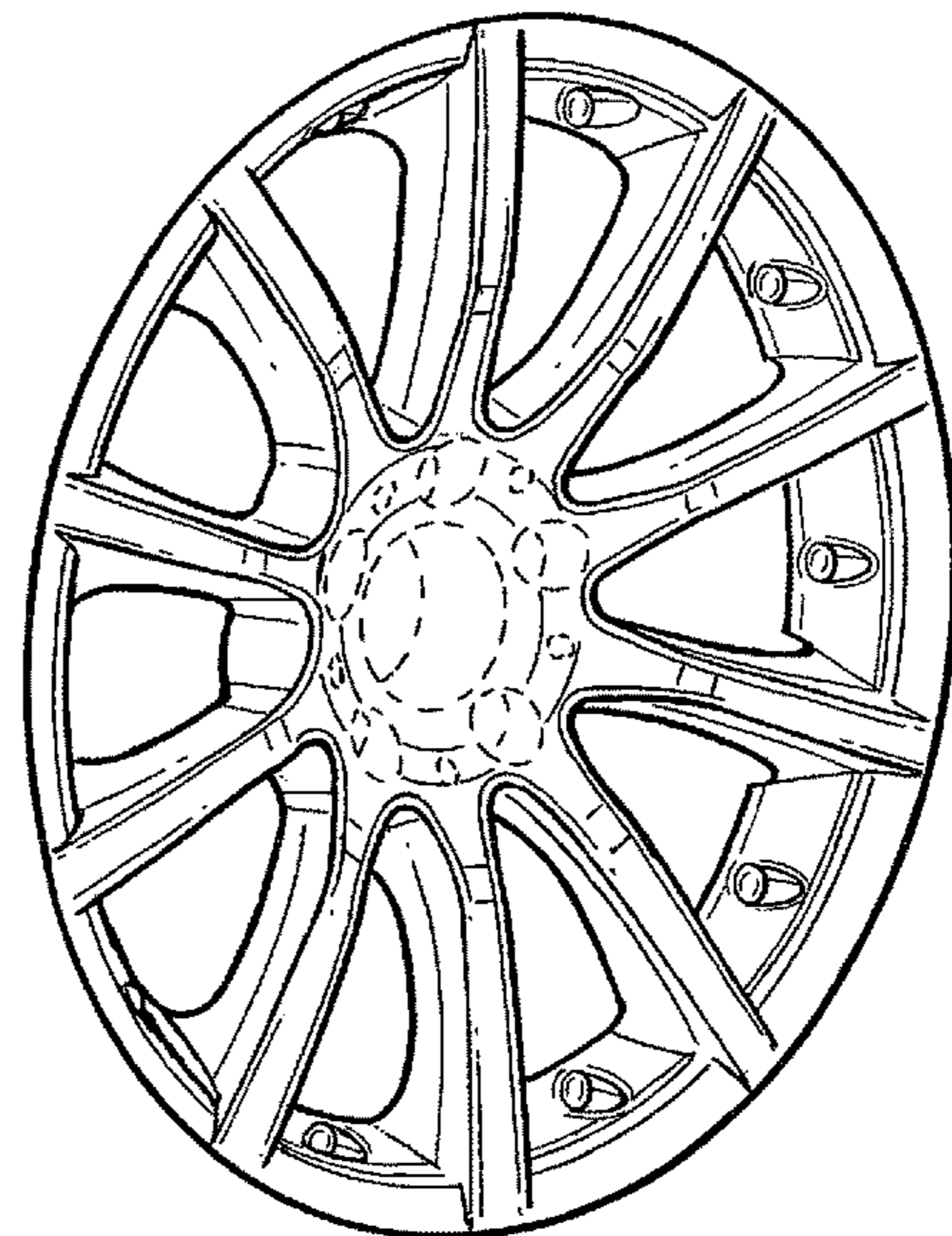
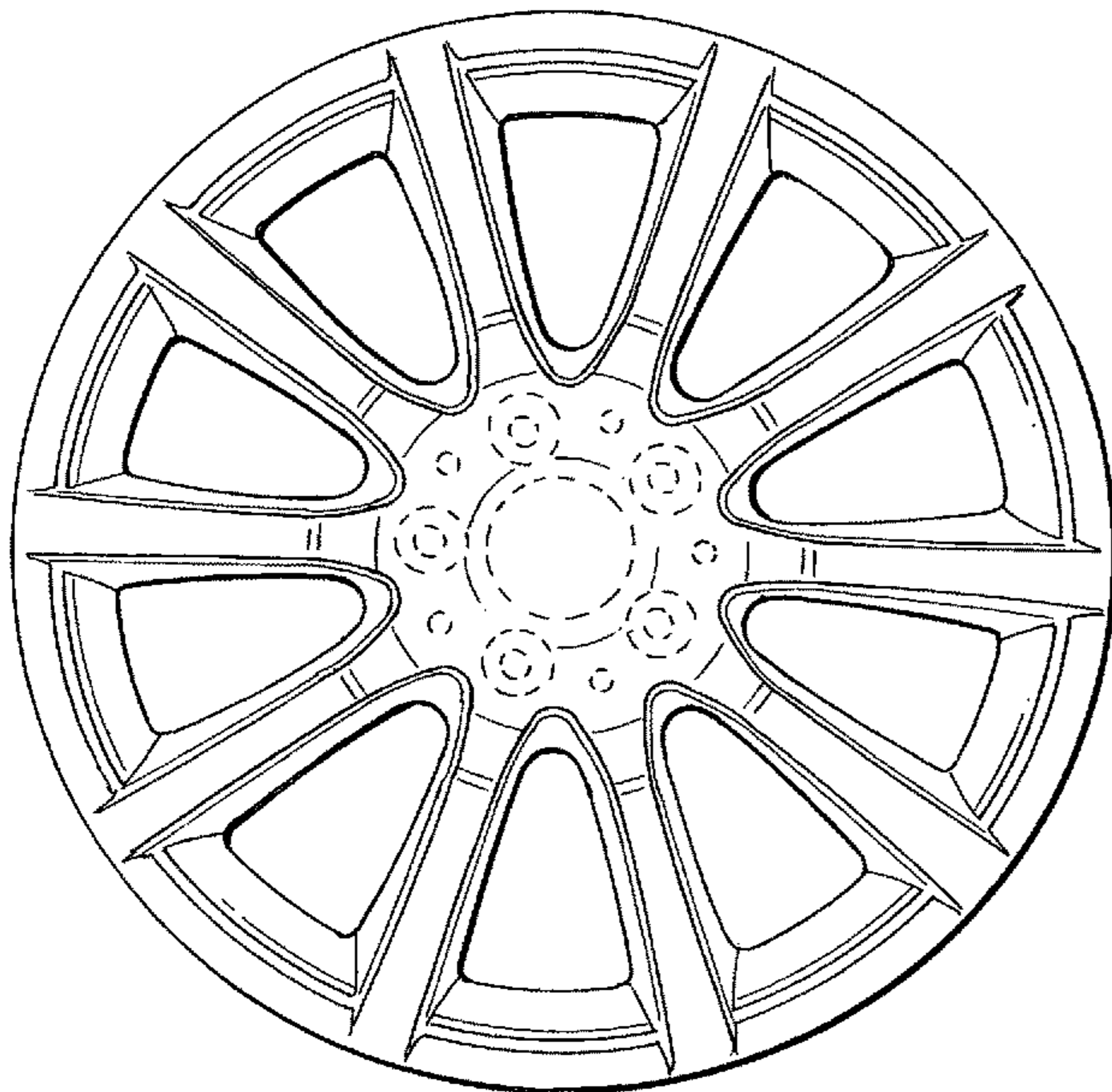
FIG. 2 is a perspective view thereof.

FIG. 3 is a front view of a second embodiment of the front face of a vehicle wheel according to my novel design; and,

FIG. 4 is a perspective view thereof.

The broken line showing of the bolt holes and center hole in the central hub area is included for the purpose of illustrating environment and forms no part of the claimed design.

1 Claim, 2 Drawing Sheets



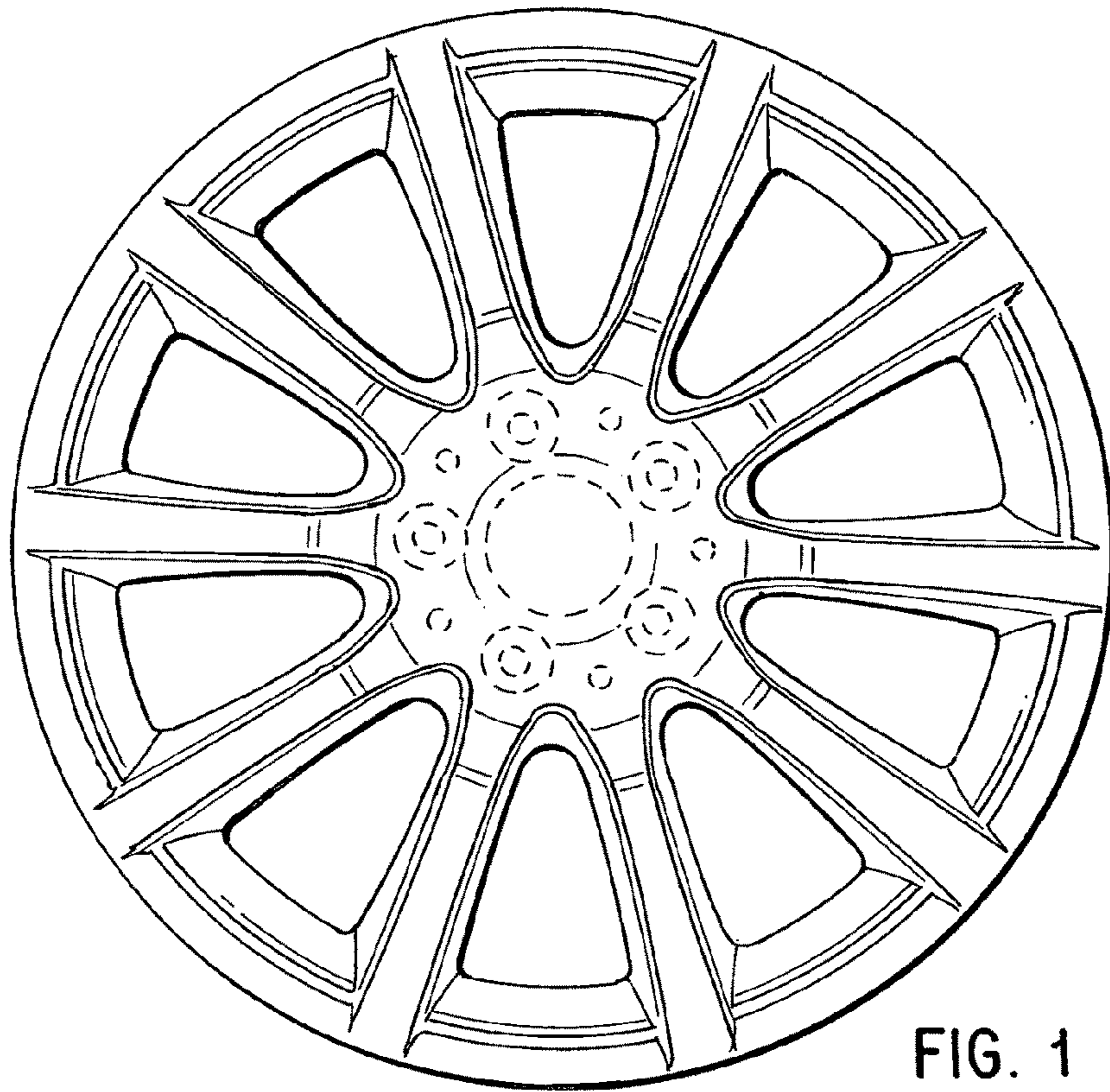


FIG. 1

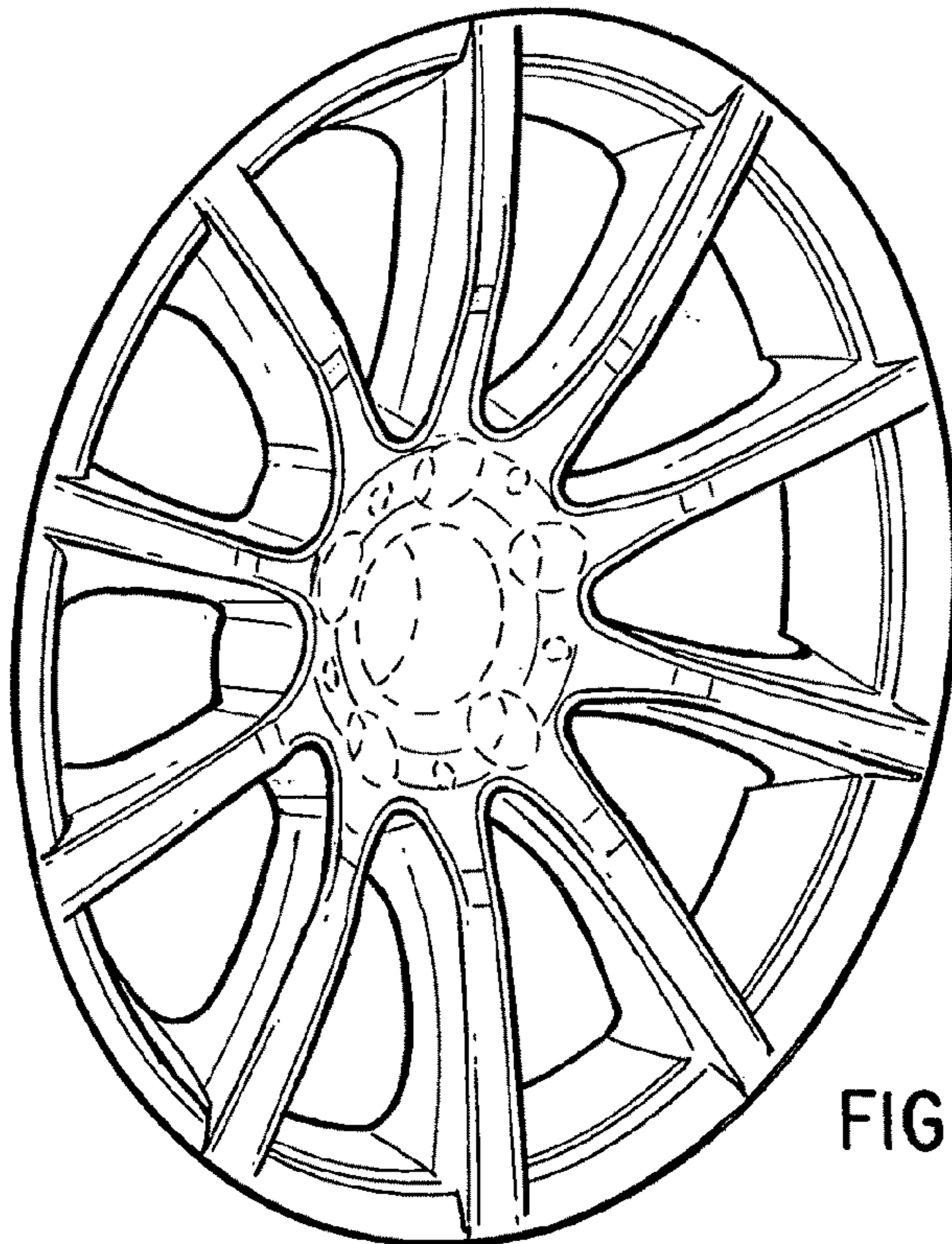


FIG. 2

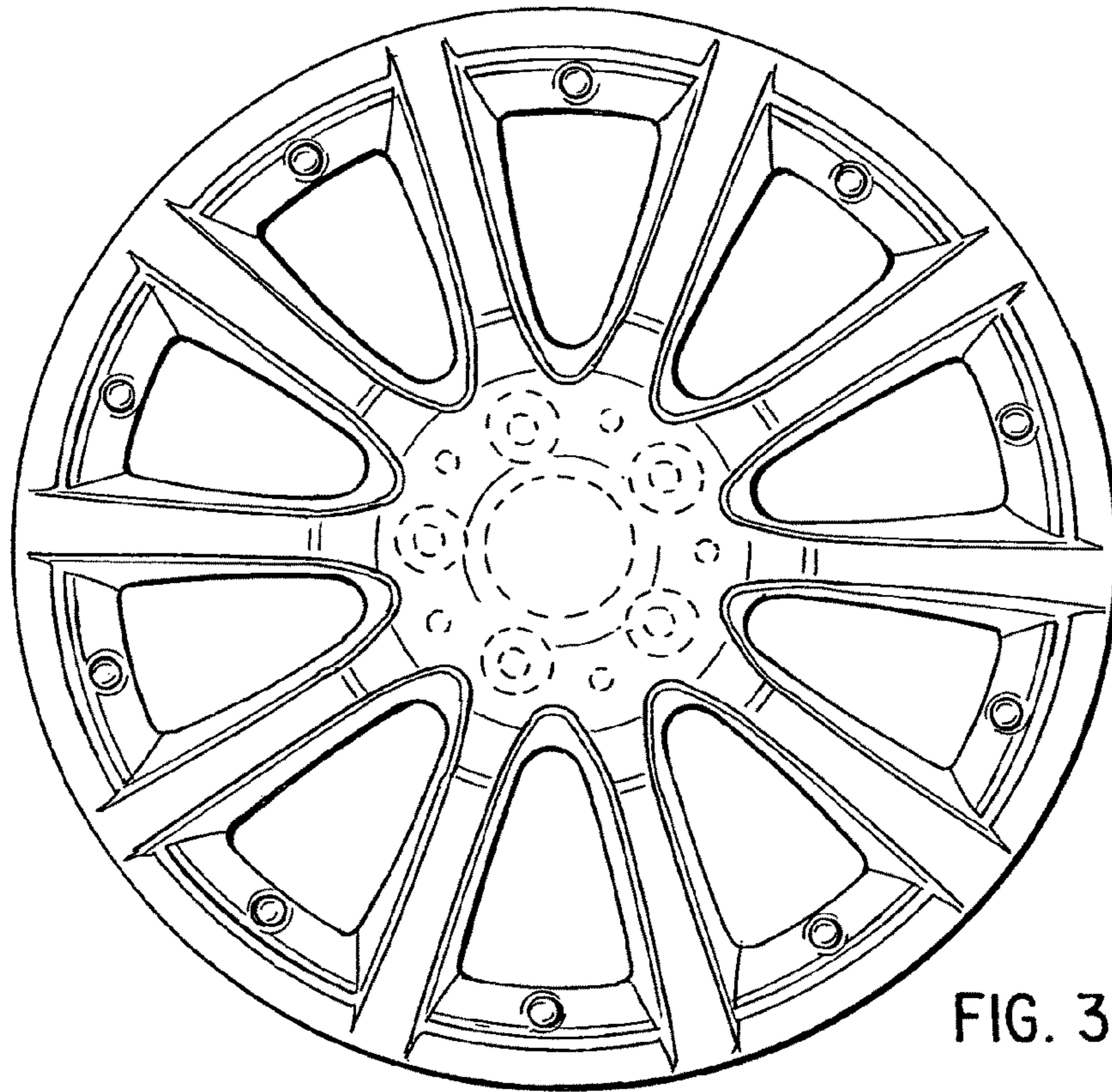


FIG. 3

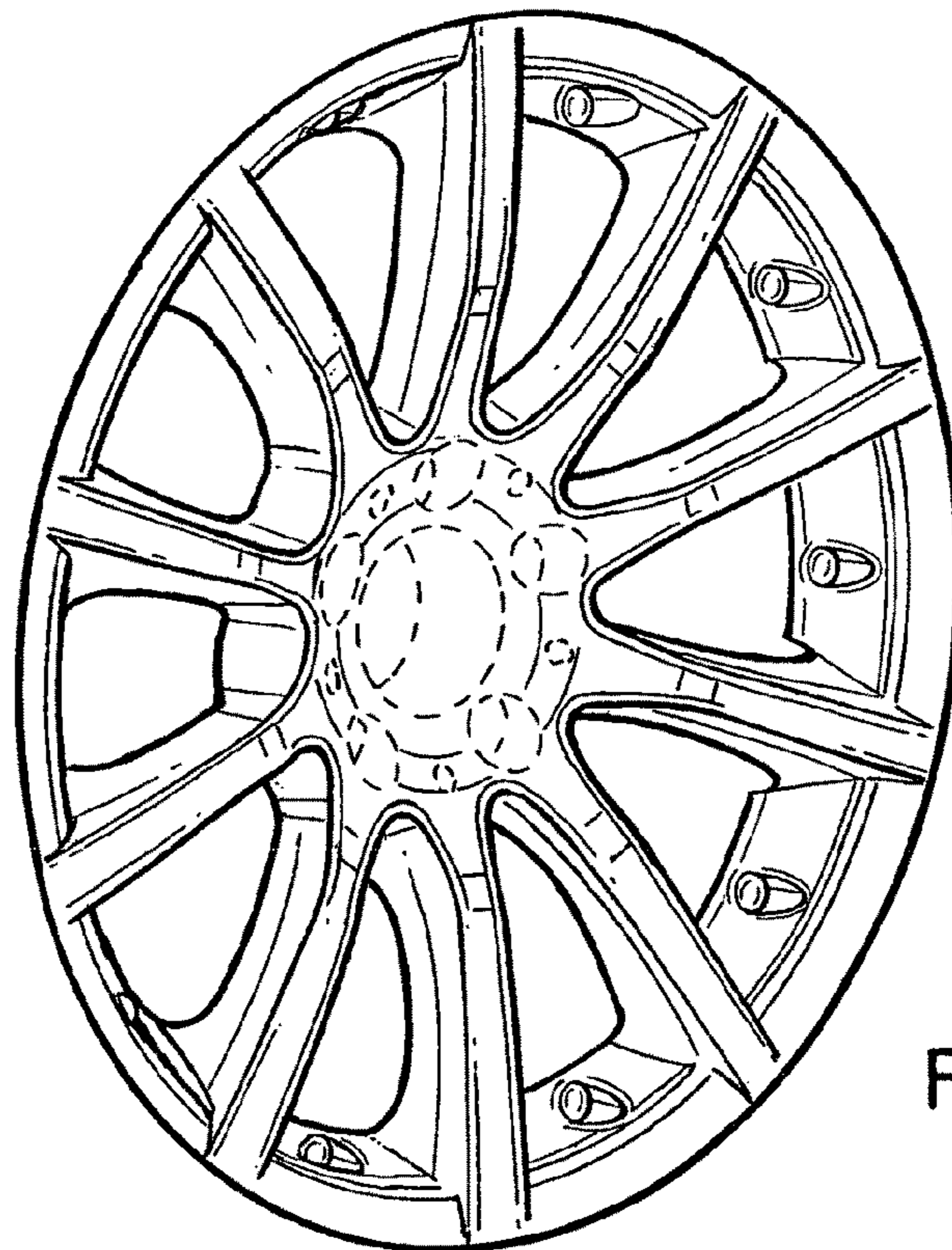


FIG. 4