



US00D638764S

(12) **United States Design Patent**
Groom

(10) **Patent No.:** **US D638,764 S**

(45) **Date of Patent:** **** May 31, 2011**

(54) **WHEEL**

(75) Inventor: **Colbey Groom**, Murrieta, CA (US)

(73) Assignee: **Wheel Pros, LLC**, Lakewood, CO (US)

(**) Term: **14 Years**

(21) Appl. No.: **29/381,038**

(22) Filed: **Dec. 14, 2010**

(51) **LOC (9) Cl.** **12-16**

(52) **U.S. Cl.** **D12/209**

(58) **Field of Classification Search** D12/204-213;
301/37.101, 64.101, 65, 64.201

See application file for complete search history.

(56) **References Cited**

U.S. PATENT DOCUMENTS

D416,845 S	*	11/1999	Frueh	D12/209
D448,714 S	*	10/2001	Pusdesris et al.	D12/211
D478,031 S	*	8/2003	Brown et al.	D12/211
D478,306 S	*	8/2003	Brown et al.	D12/211
D485,523 S	*	1/2004	Takechi	D12/209
D500,725 S	*	1/2005	Hong	D12/211
D515,996 S	*	2/2006	Baumgartner	D12/209
D553,549 S	*	10/2007	Martin	D12/209
D579,396 S	*	10/2008	Osborne	D12/209
D581,339 S	*	11/2008	Schweizer	D12/209
D594,803 S	*	6/2009	Pollmann	D12/211
D615,916 S	*	5/2010	Leone	D12/211
D617,711 S	*	6/2010	Lamm et al.	D12/209
D618,153 S	*	6/2010	Zhao	D12/209
D624,863 S	*	10/2010	Zhao	D12/211

* cited by examiner

Primary Examiner — Stacia Cadmus

(74) *Attorney, Agent, or Firm* — Garcia-Zamor IP Law; Ruy M. Garcia-Zamor

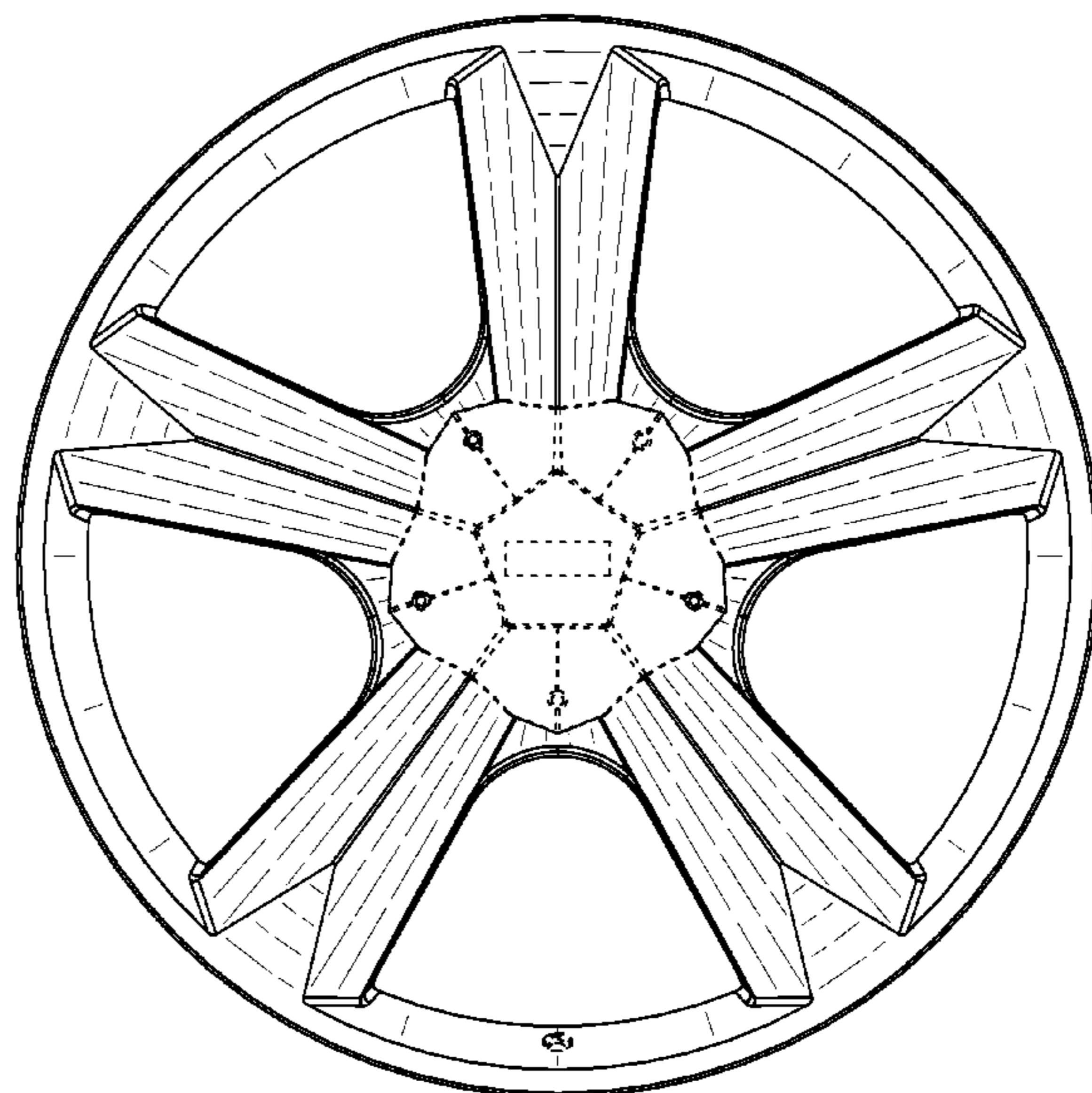
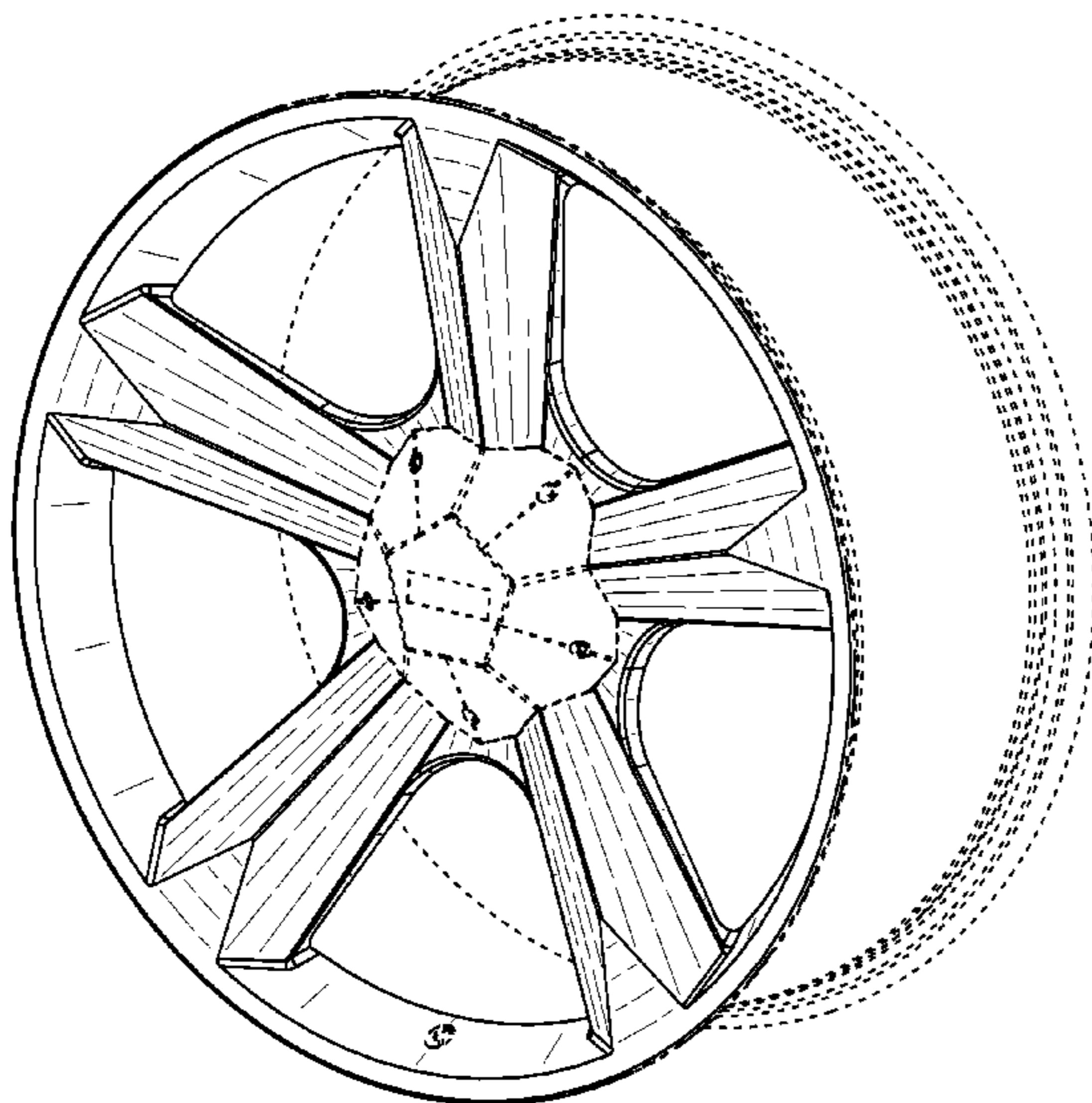
(57) **CLAIM**

The ornamental design for a wheel, as shown and described.

DESCRIPTION

FIG. 1 is a perspective view of a wheel according to a first preferred embodiment of my new design;
 FIG. 2 is a front elevational view of the wheel of FIG. 1;
 FIG. 3 is a left side elevational view of the wheel of FIG. 1, the right side elevational view of the wheel of FIG. 1 is a mirror image of FIG. 3;
 FIG. 4 is a top plan view of the wheel of FIG. 1;
 FIG. 5 is a bottom plan view of the wheel of FIG. 1;
 FIG. 6 is a rear elevational view of the wheel of FIG. 1;
 FIG. 7 is a perspective view of a wheel according to a second preferred embodiment of my new design;
 FIG. 8 is a front elevational view of the wheel of FIG. 7;
 FIG. 9 is a left side elevational view of the wheel of FIG. 7, the right side elevational view of the wheel of FIG. 7 is a mirror image of FIG. 9;
 FIG. 10 is a top plan view of the wheel of FIG. 7;
 FIG. 11 is a bottom plan view of the wheel of FIG. 7; and,
 FIG. 12 is a rear elevational view of the wheel of FIG. 7.
 The broken lines in FIGS. 1-12 represent environment and are for illustrative purposes only and do not constitute part of the claimed design.

1 Claim, 10 Drawing Sheets



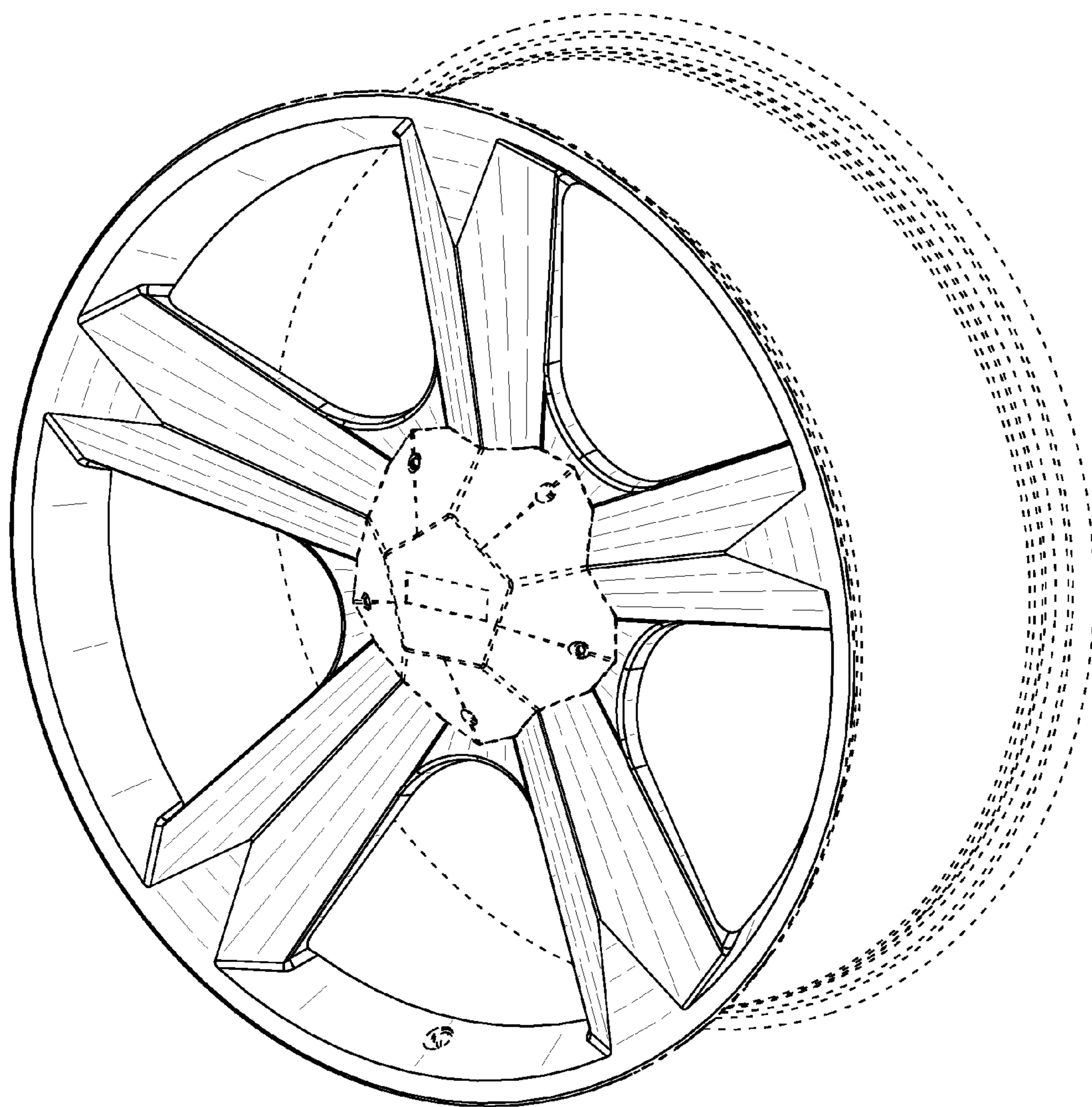


FIG. 1

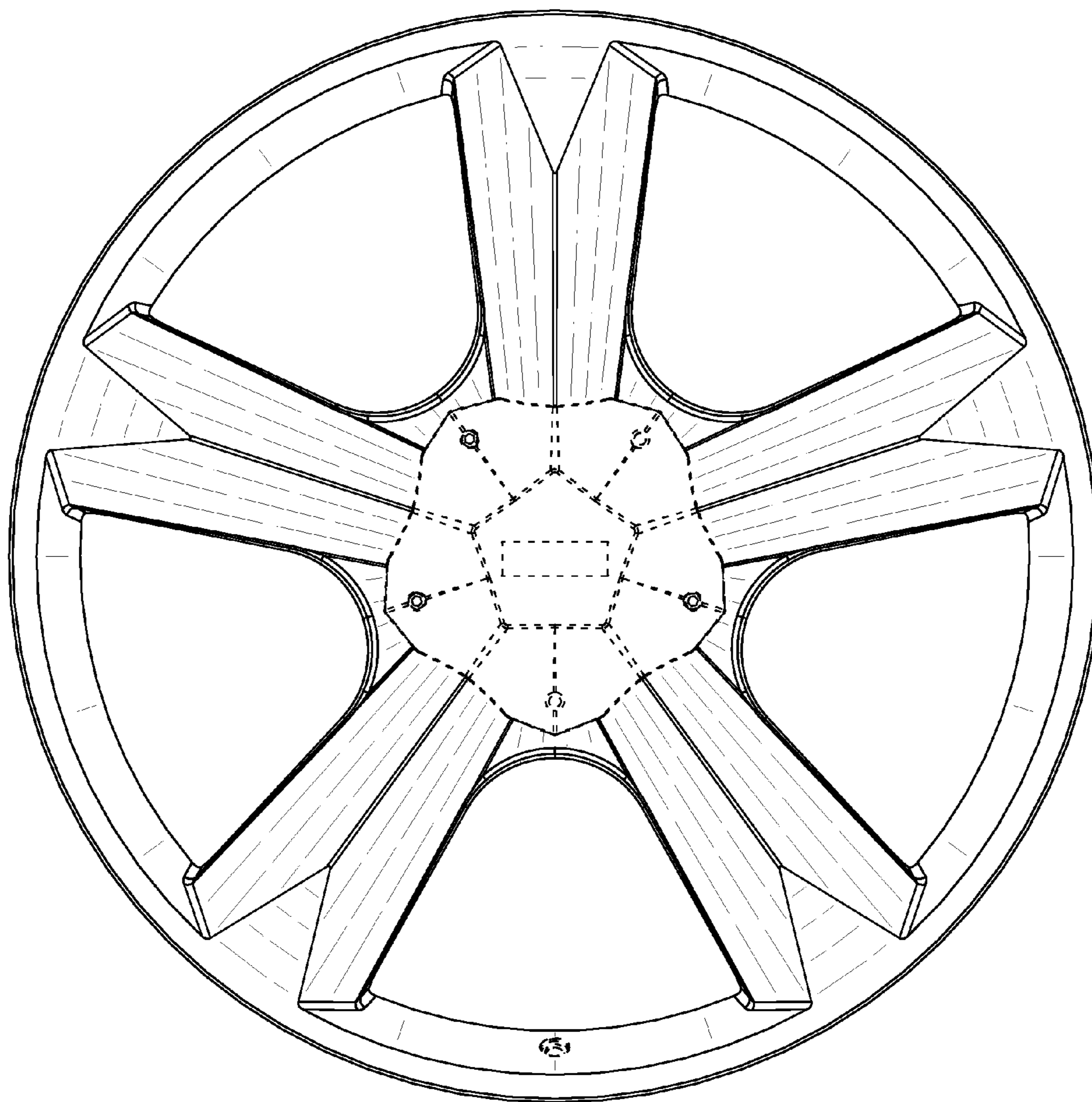


FIG. 2

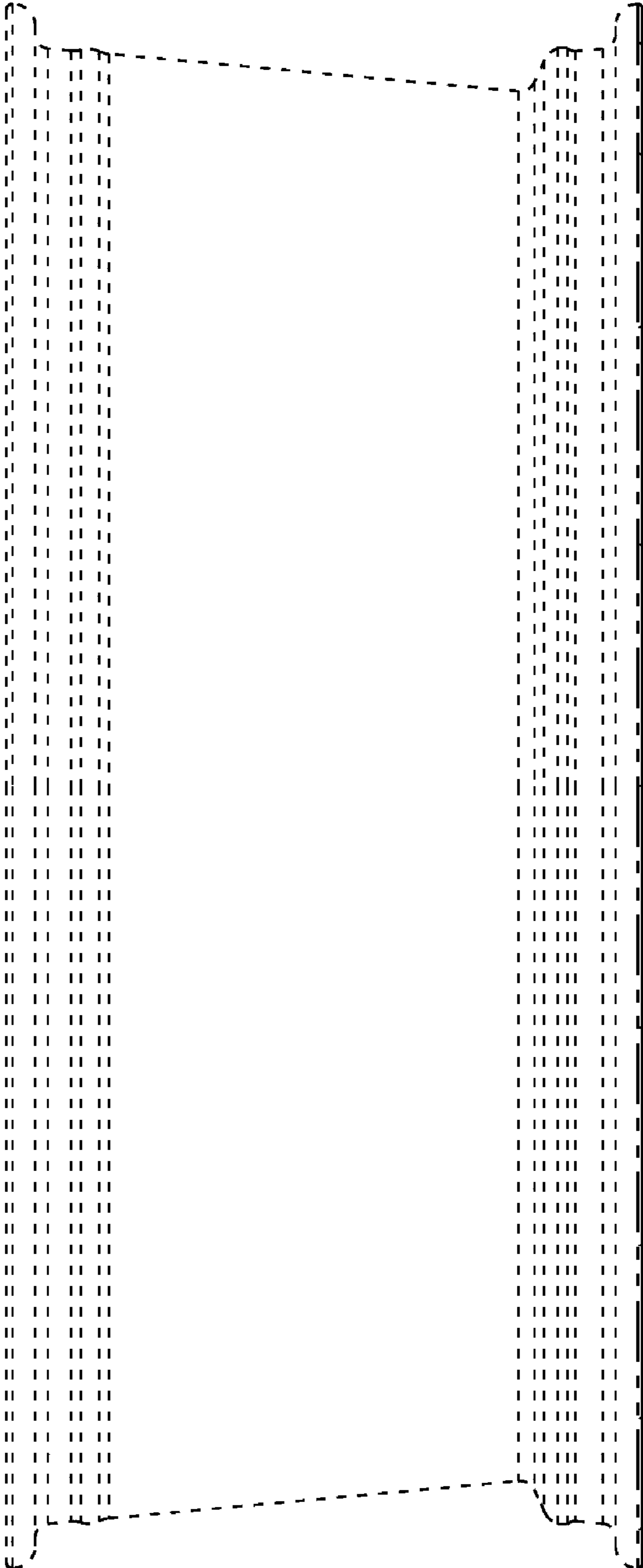


FIG. 3

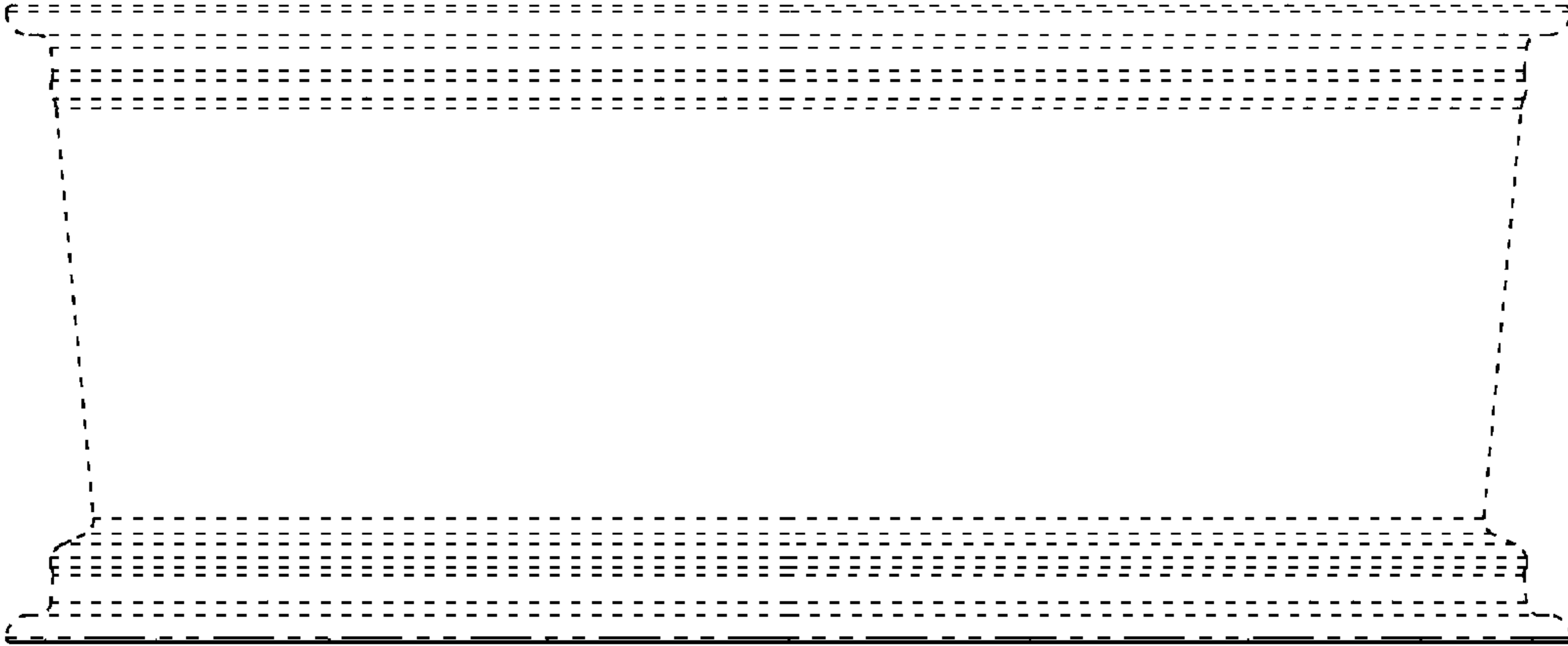


FIG. 4



FIG. 5

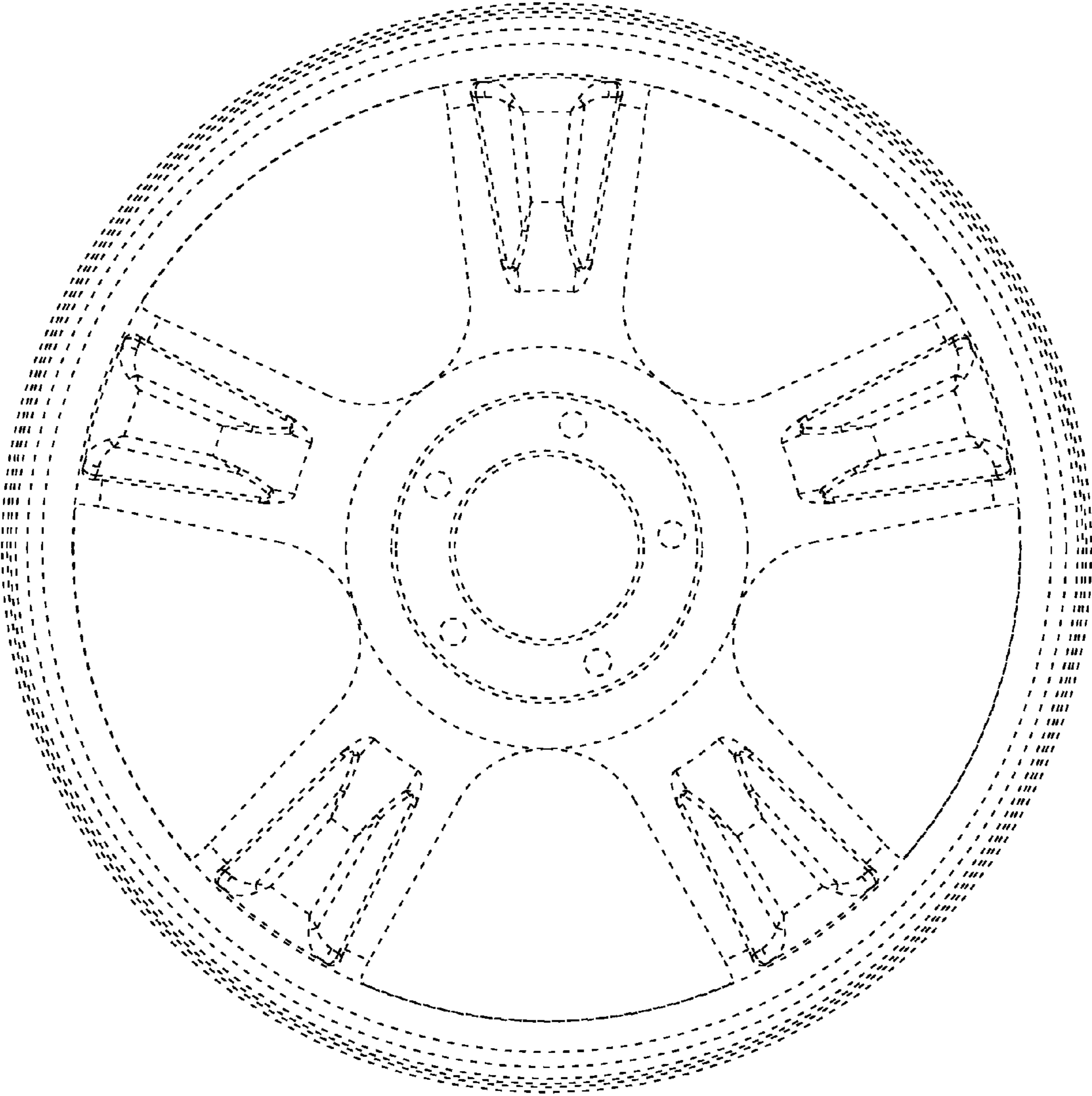


FIG. 6

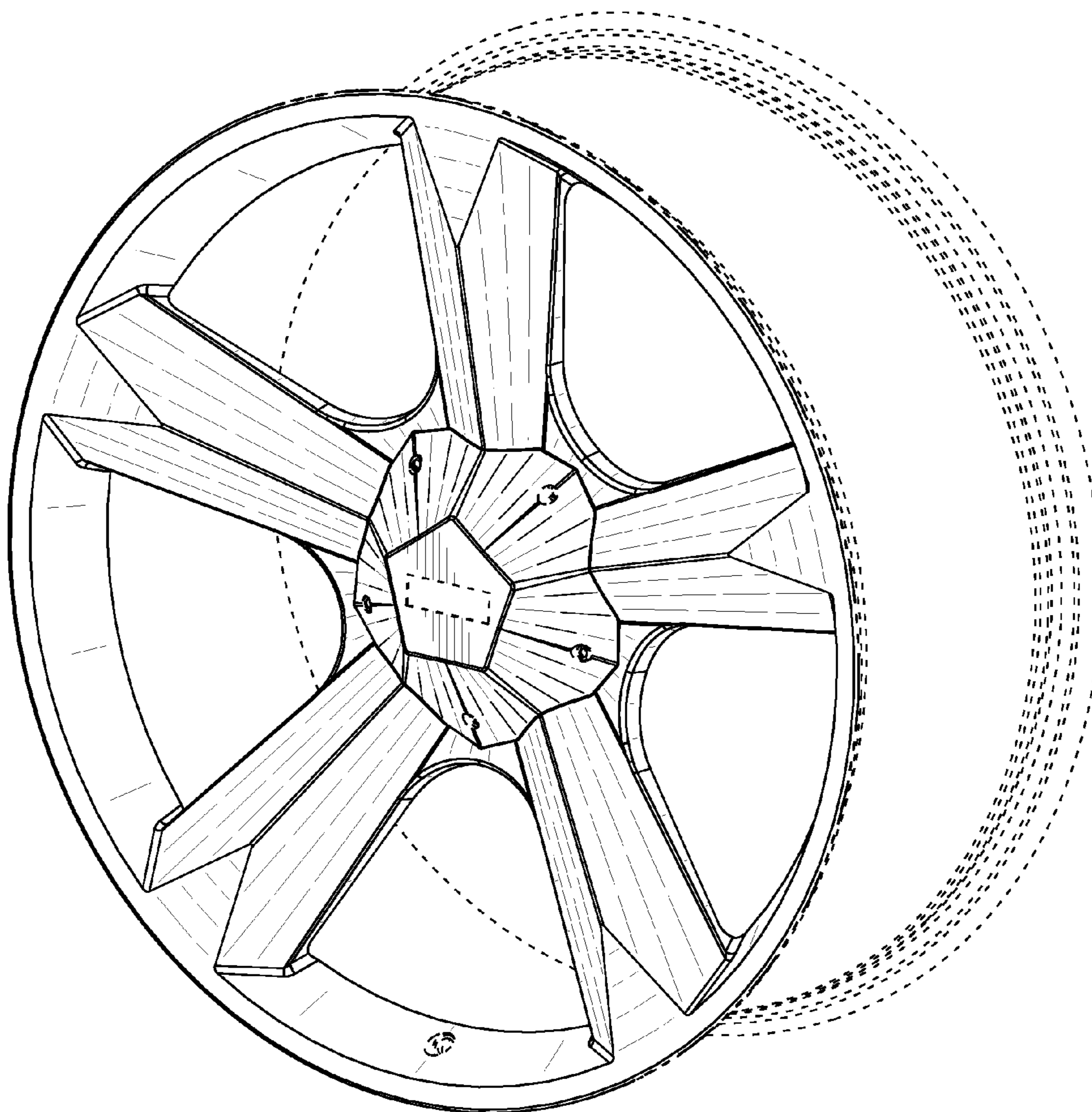


FIG. 7

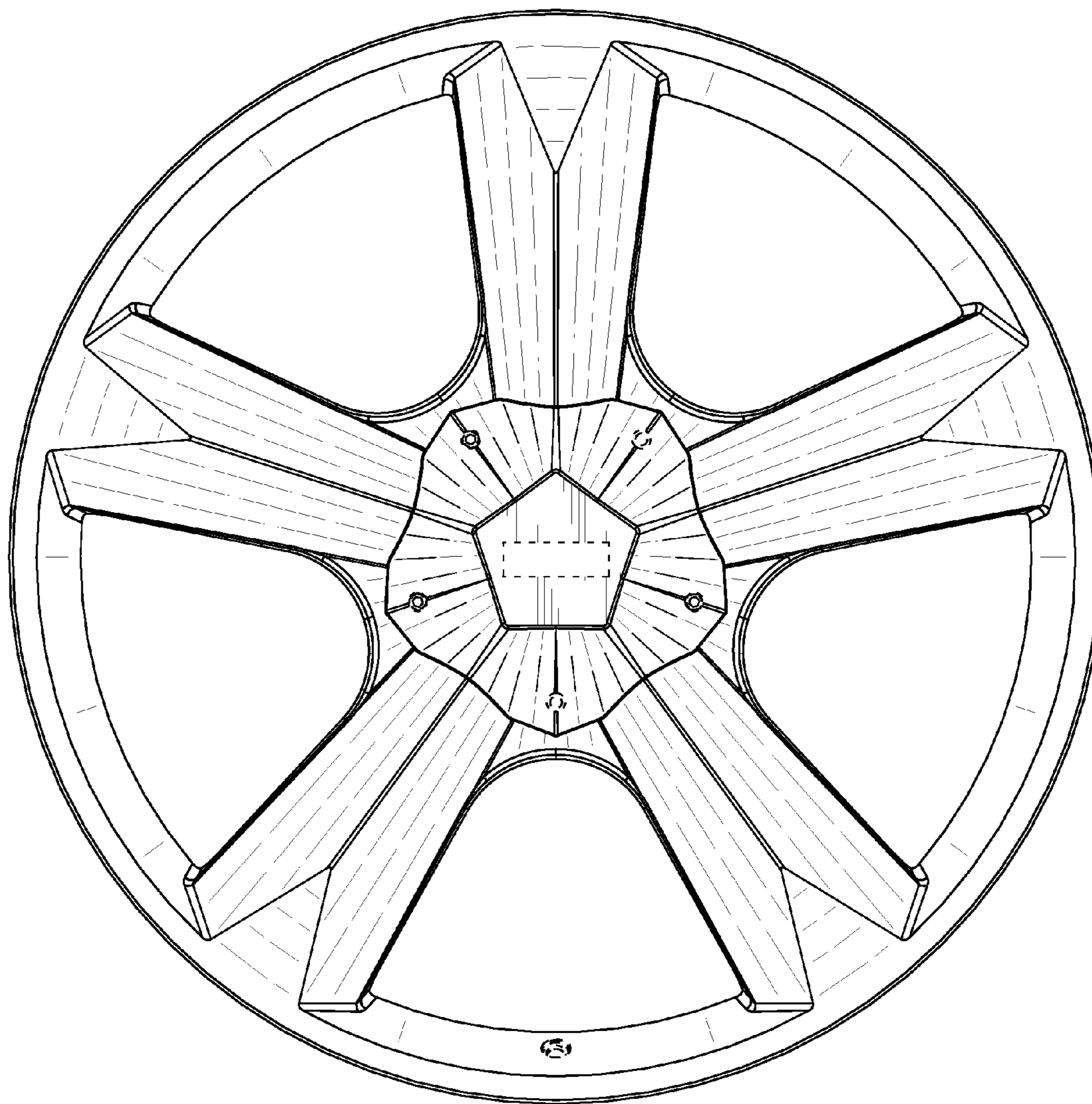


FIG. 8

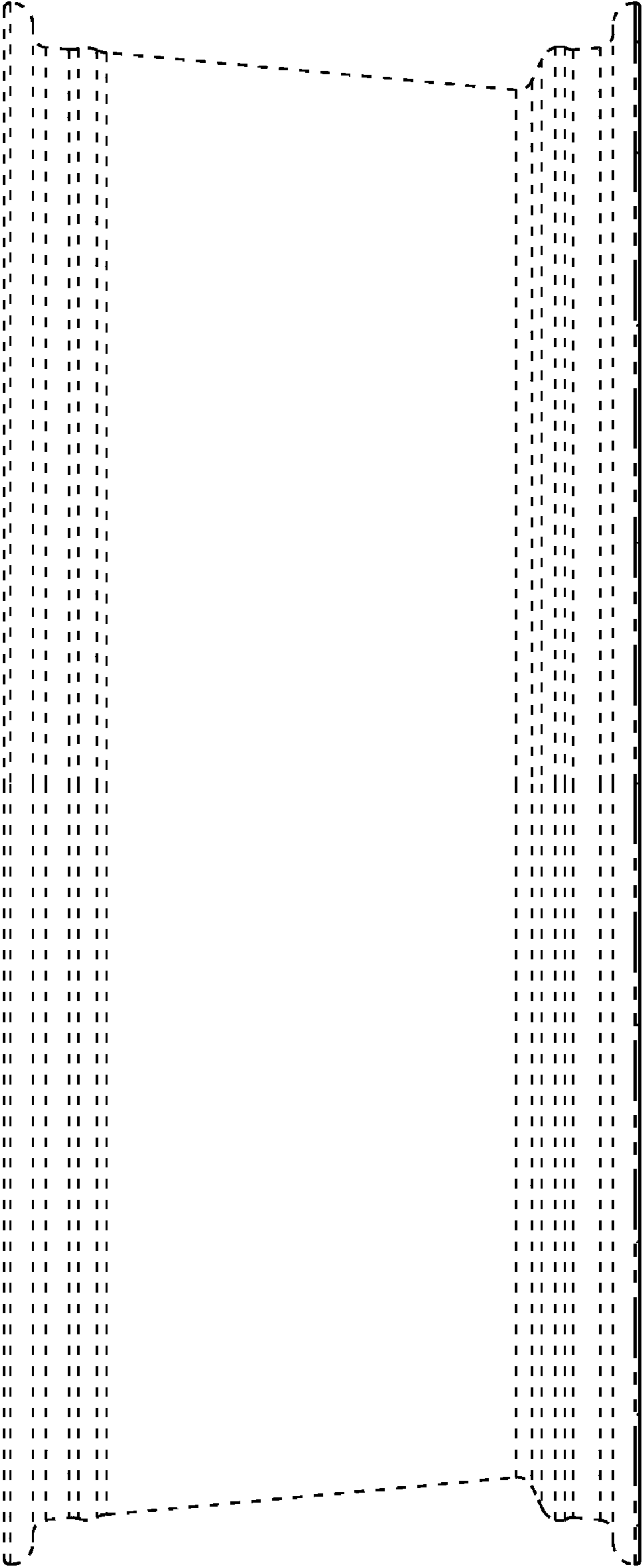


FIG. 9



FIG. 10

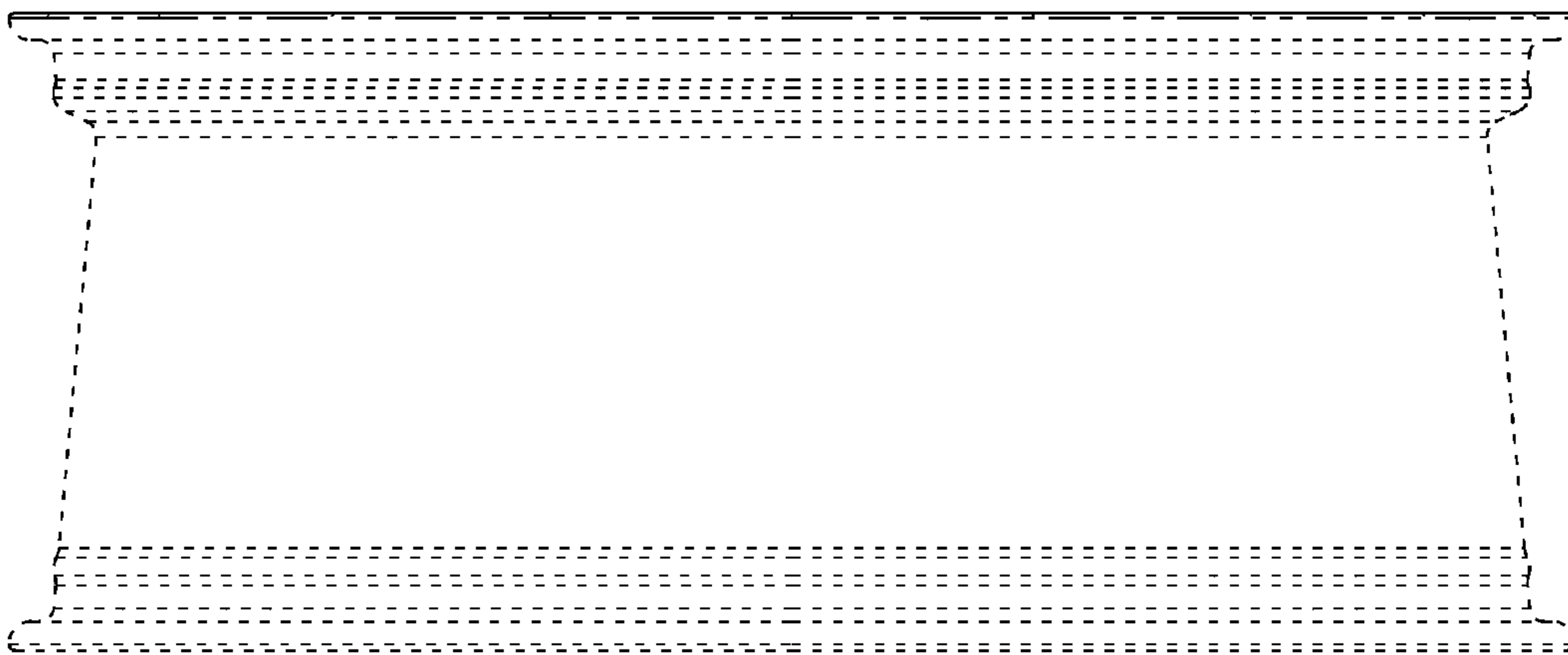


FIG. 11

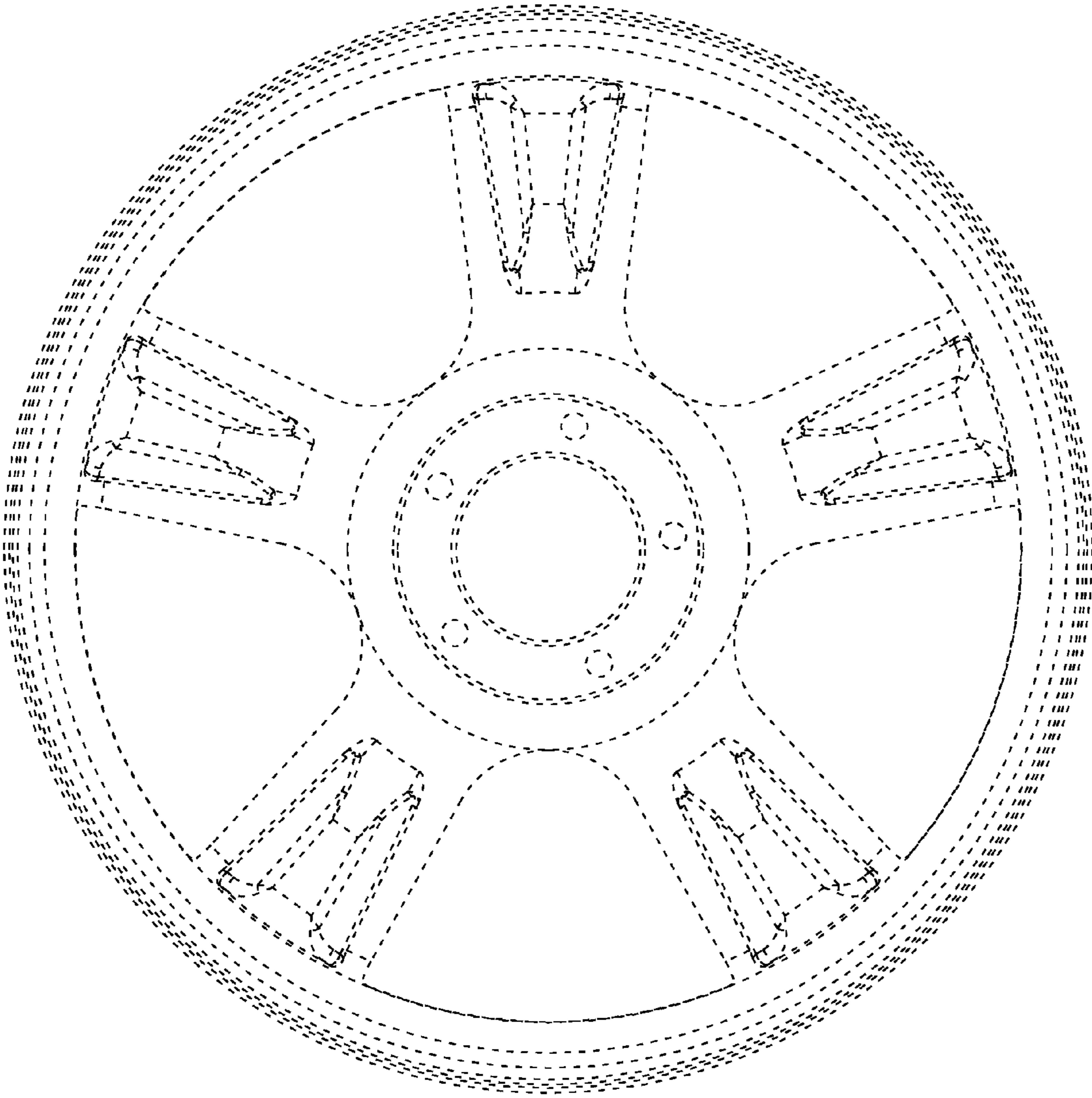


FIG. 12