

US00D638756S

(12) **United States Design Patent**
Kouchi et al.

(10) **Patent No.:** **US D638,756 S**

(45) **Date of Patent:** **** May 31, 2011**

(54) **MOTORCYCLE**

(75) Inventors: **Kaoru Kouchi**, Kakogawa (JP);
Shoichiro Sasai, Kobe (JP)

(73) Assignee: **Kawasaki Jukogyo Kabushiki Kaisha**,
Hyogo (JP)

(**) Term: **14 Years**

(21) Appl. No.: **29/357,903**

(22) Filed: **Mar. 18, 2010**

(30) **Foreign Application Priority Data**

Sep. 28, 2009 (JP) 2009-022313

(51) **LOC (9) Cl.** **12-11**

(52) **U.S. Cl.** **D12/110**

(58) **Field of Classification Search** D12/110;
180/219, 220, 225, 229

See application file for complete search history.

(56) **References Cited**

U.S. PATENT DOCUMENTS

D457,836 S * 5/2002 Kohama et al. D12/110

D496,309 S * 9/2004 Fukumoto et al. D12/110

D504,844 S * 5/2005 Sasanami D12/110
D517,958 S * 3/2006 Matsumura et al. D12/110
D559,156 S * 1/2008 Uemoto et al. D12/110
D588,961 S * 3/2009 Tanaka et al. D12/110
D605,090 S * 12/2009 Tanaka et al. D12/110
D606,457 S * 12/2009 Tanaka et al. D12/110

* cited by examiner

Primary Examiner — Philip S Hyder

Assistant Examiner — Linda G. Brooks

(57) **CLAIM**

The ornamental design for a motorcycle, as shown and described.

DESCRIPTION

FIG. 1 is a front elevational view of a motorcycle showing our new design;

FIG. 2 is a rear elevational view thereof;

FIG. 3 is a left side elevational view thereof;

FIG. 4 is a right side elevational view thereof;

FIG. 5 is a top plan view thereof;

FIG. 6 is a bottom plan view thereof;

FIG. 7 is a front left perspective view thereof; and,

FIG. 8 is a rear right perspective view thereof.

1 Claim, 8 Drawing Sheets

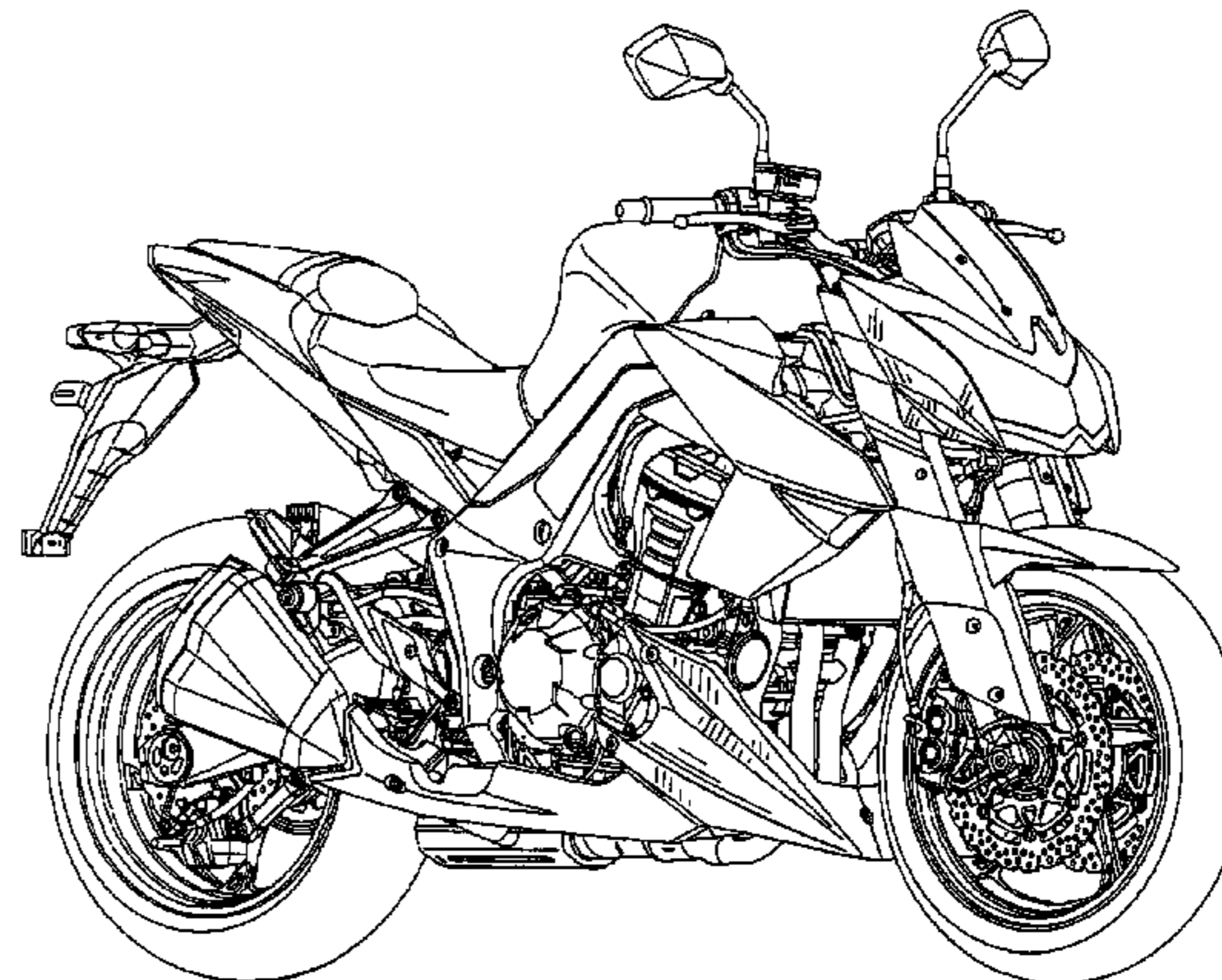
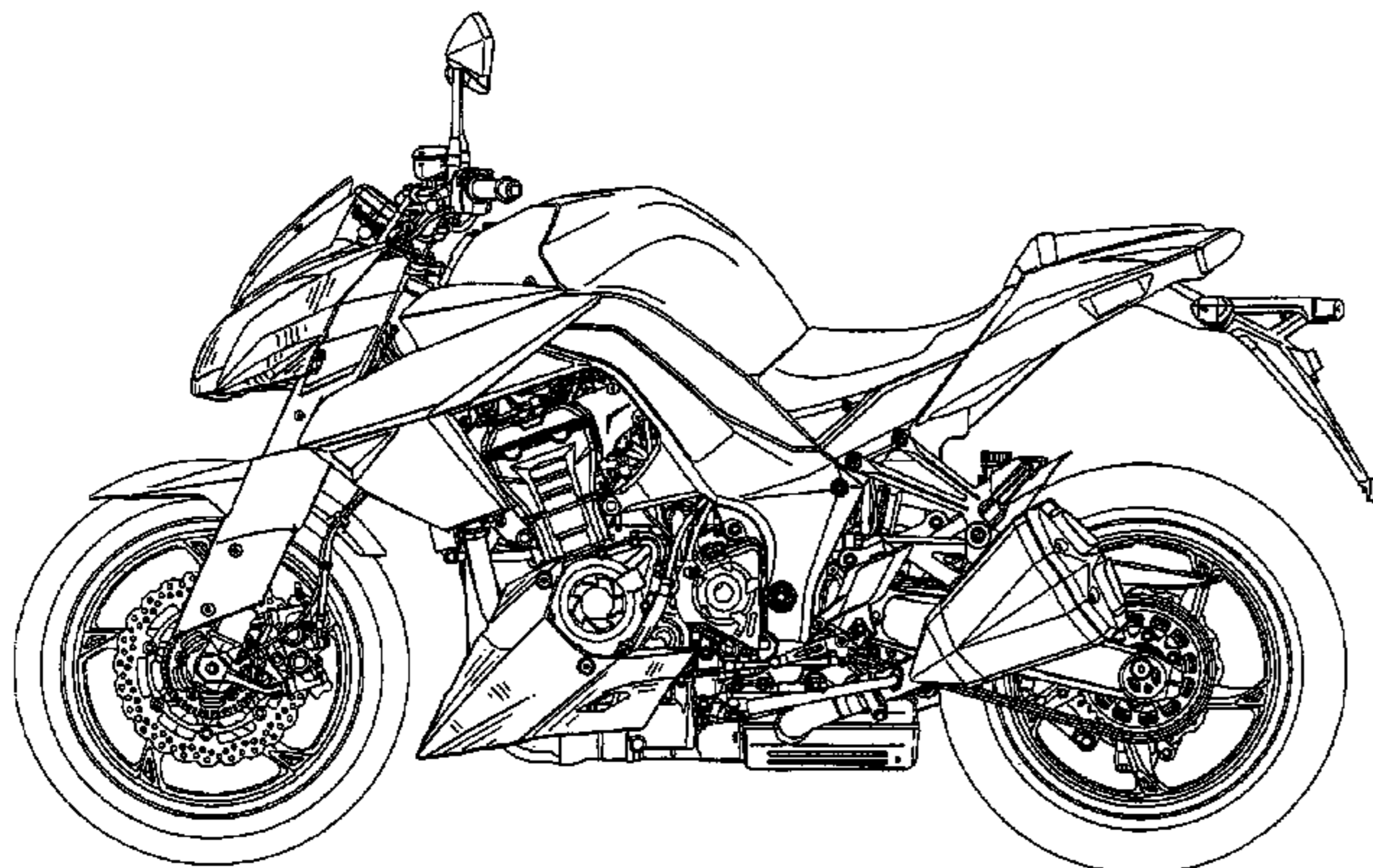


Fig. 1

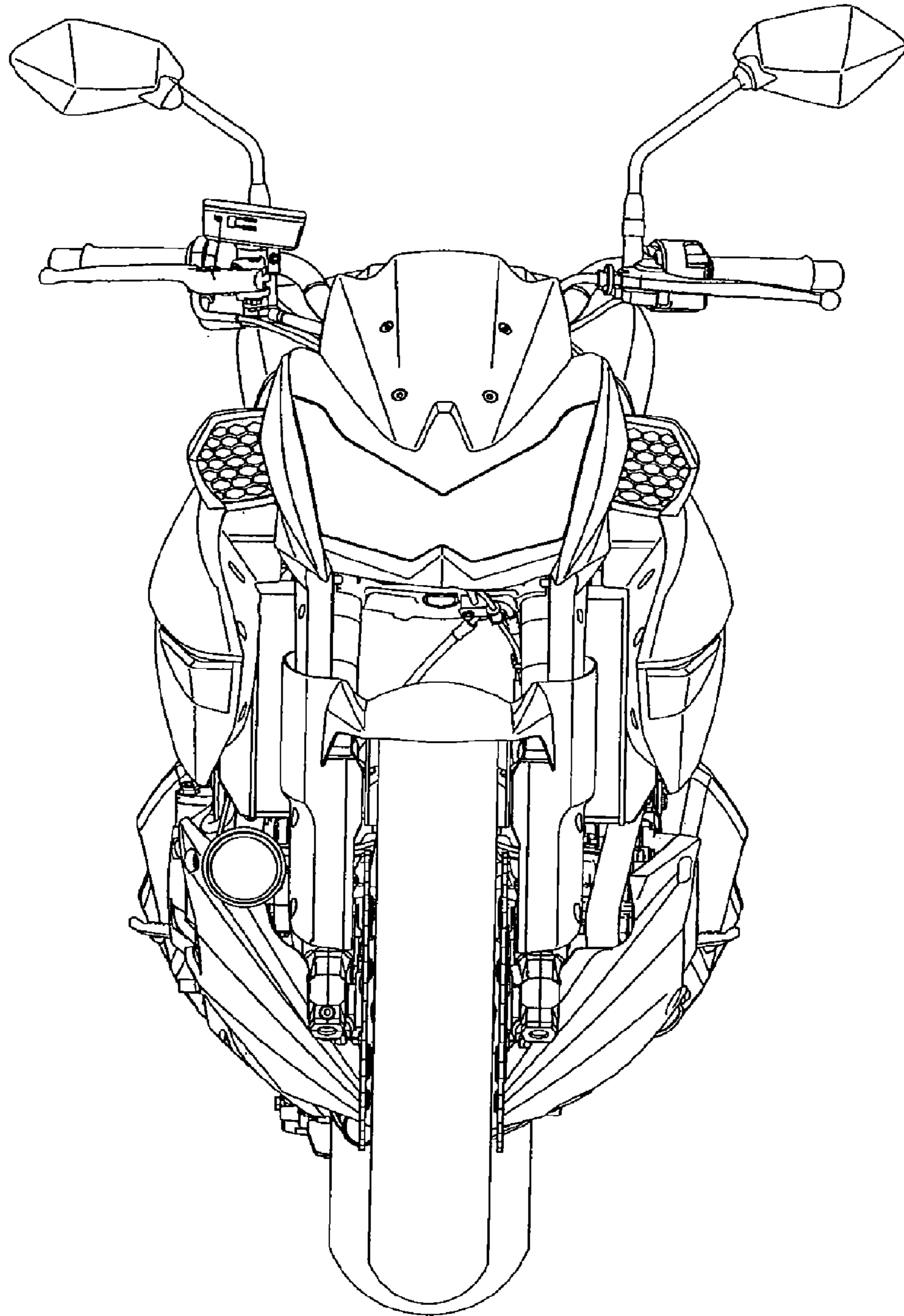
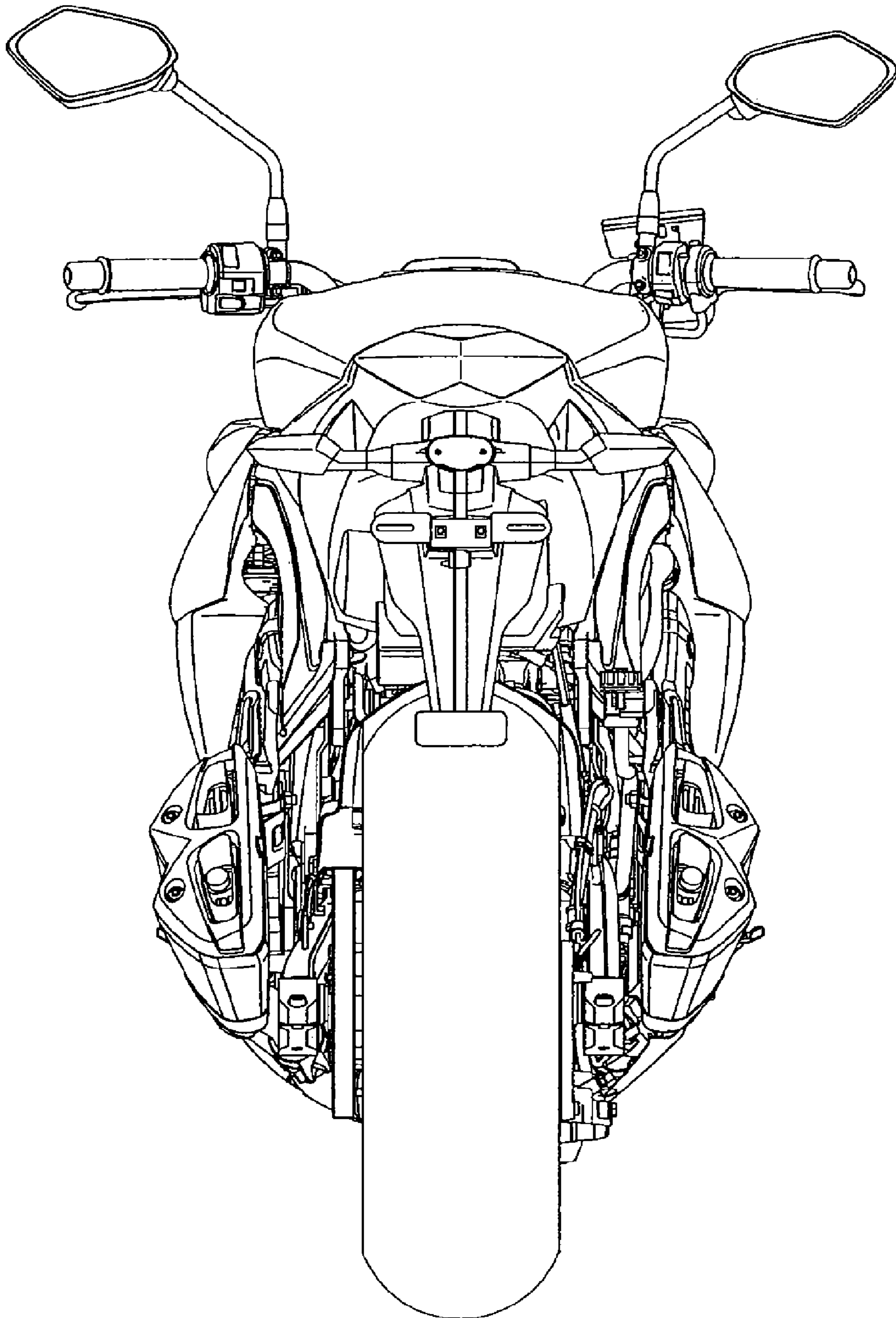


Fig. 2



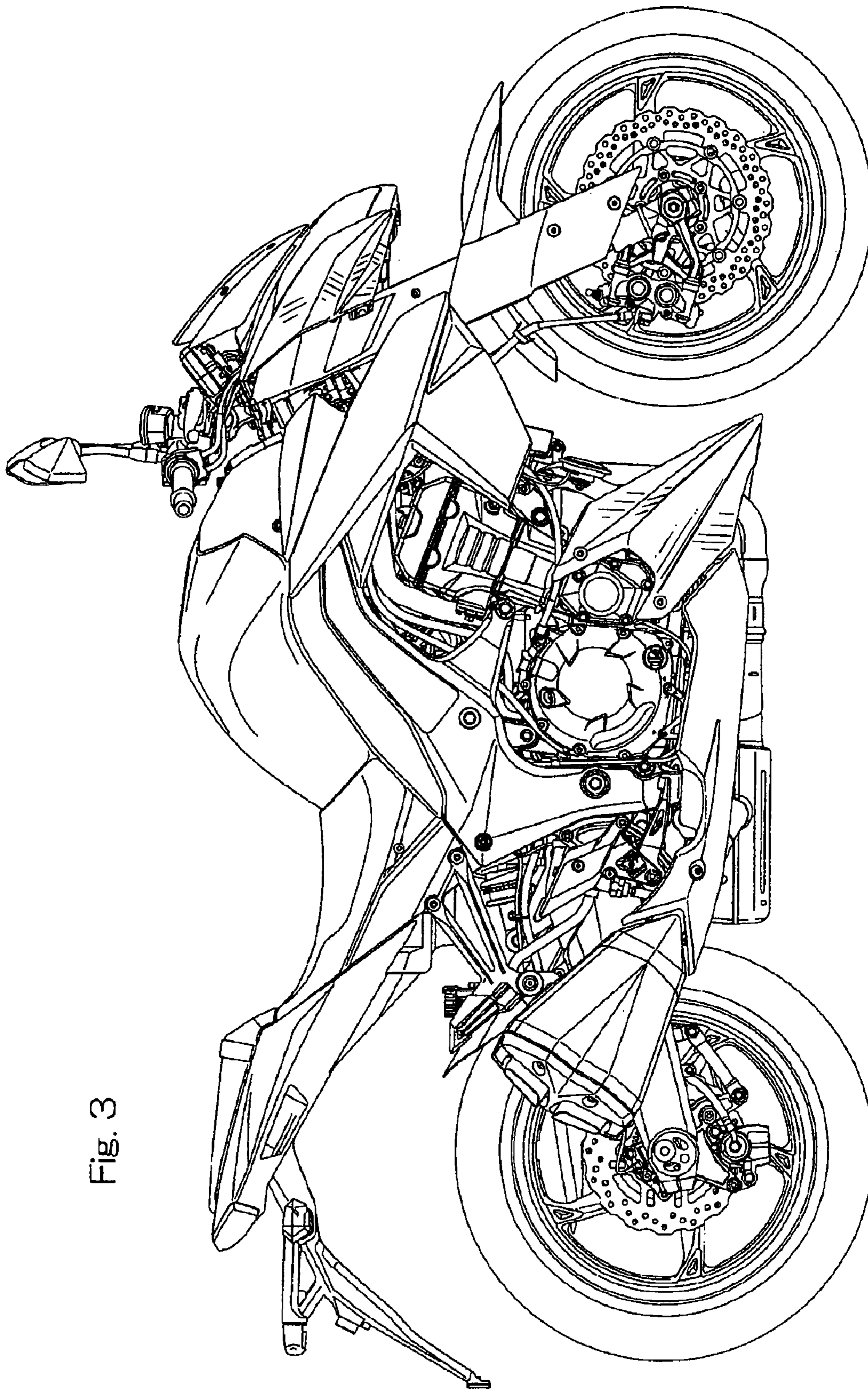
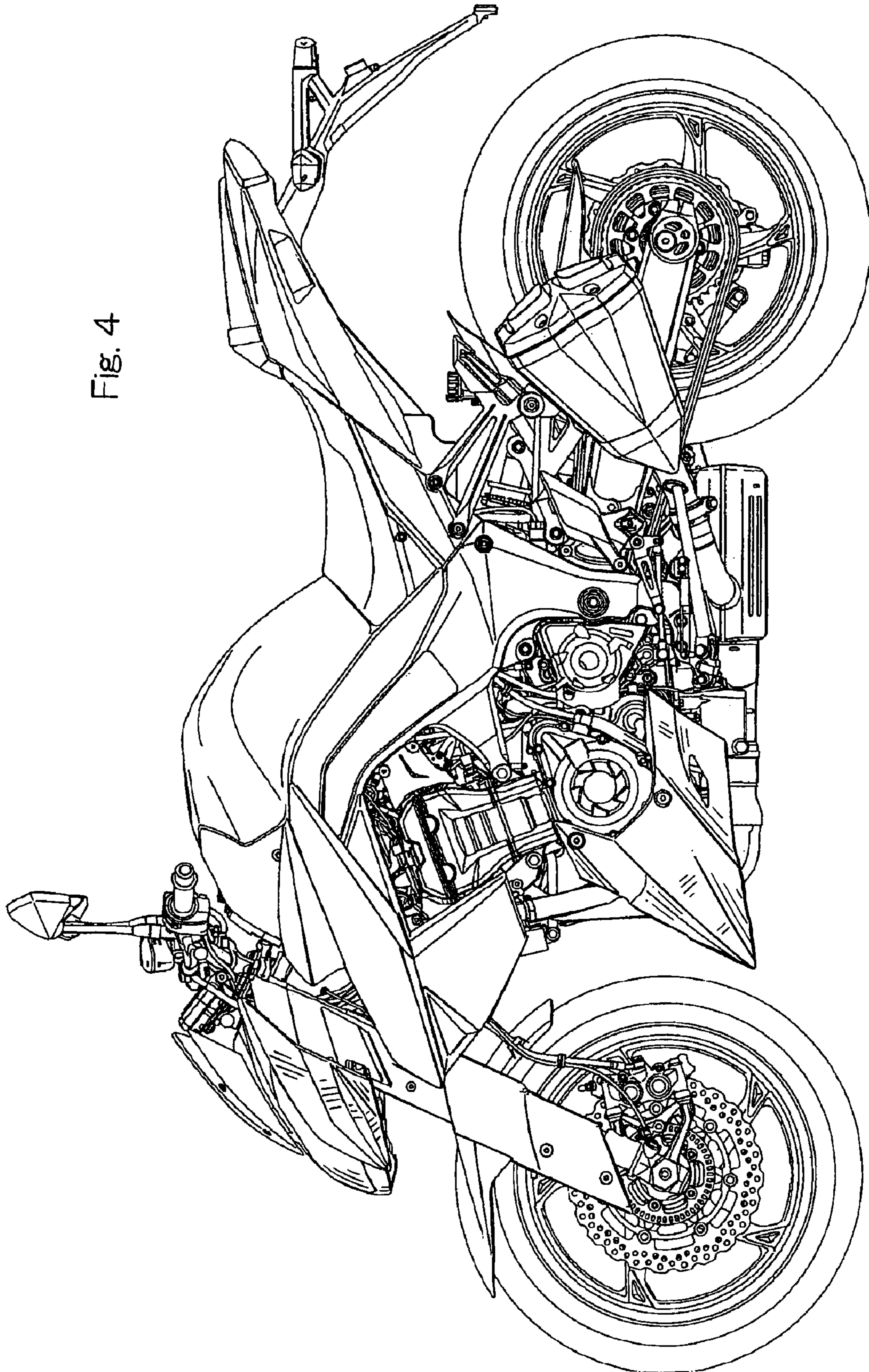


Fig. 3

Fig. 4



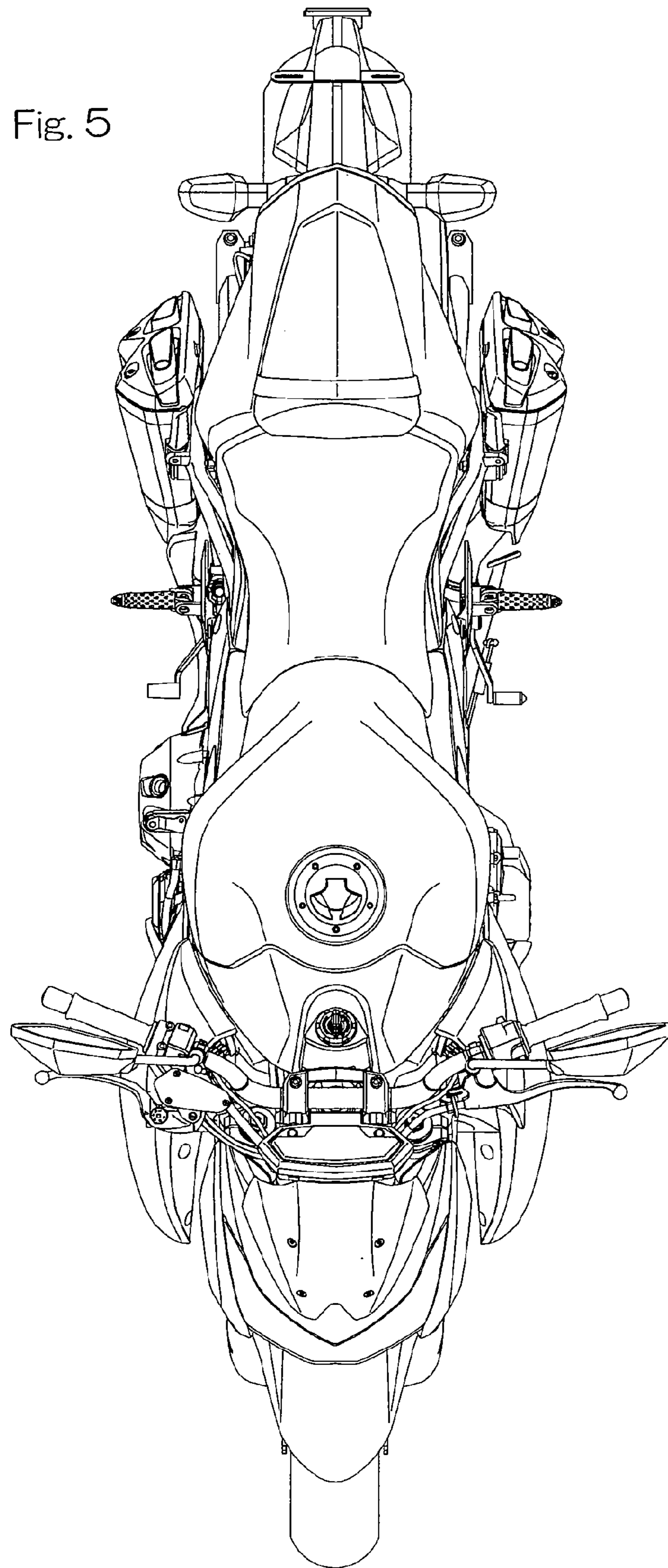
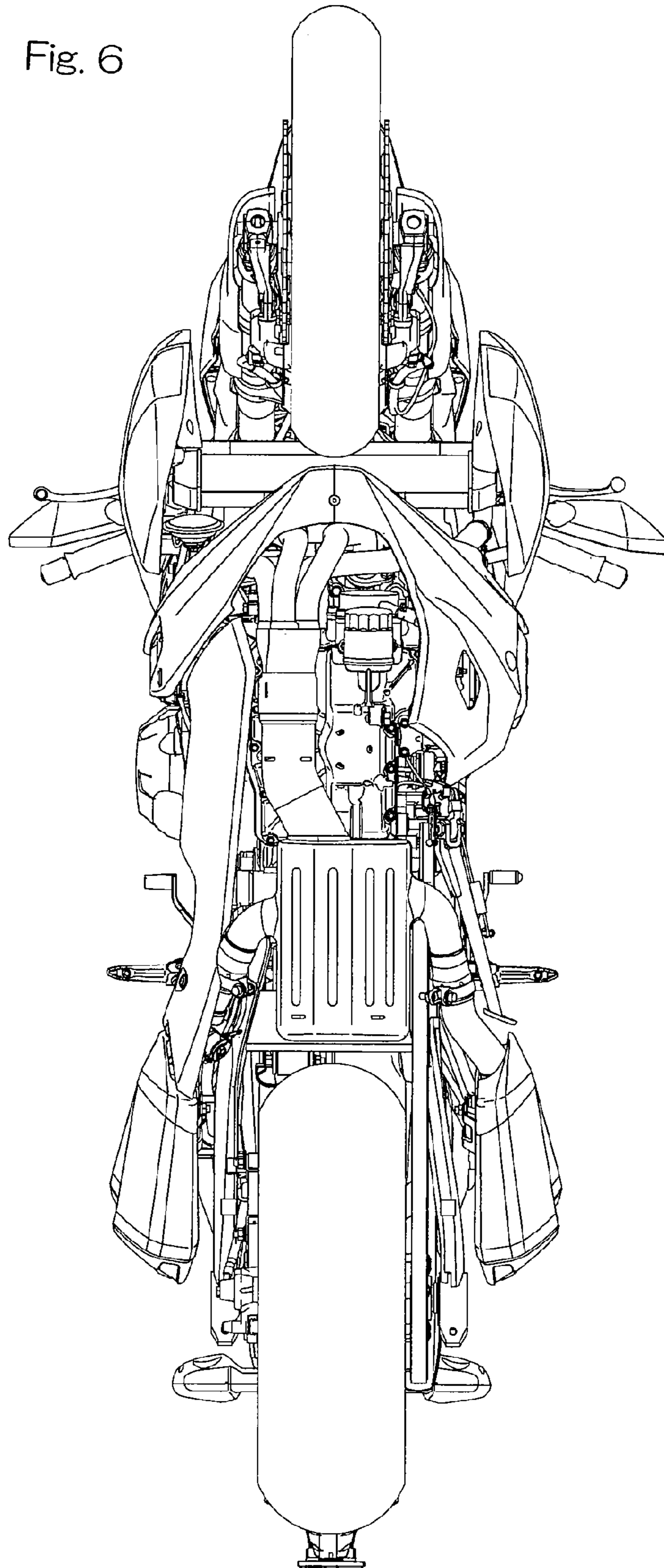


Fig. 6



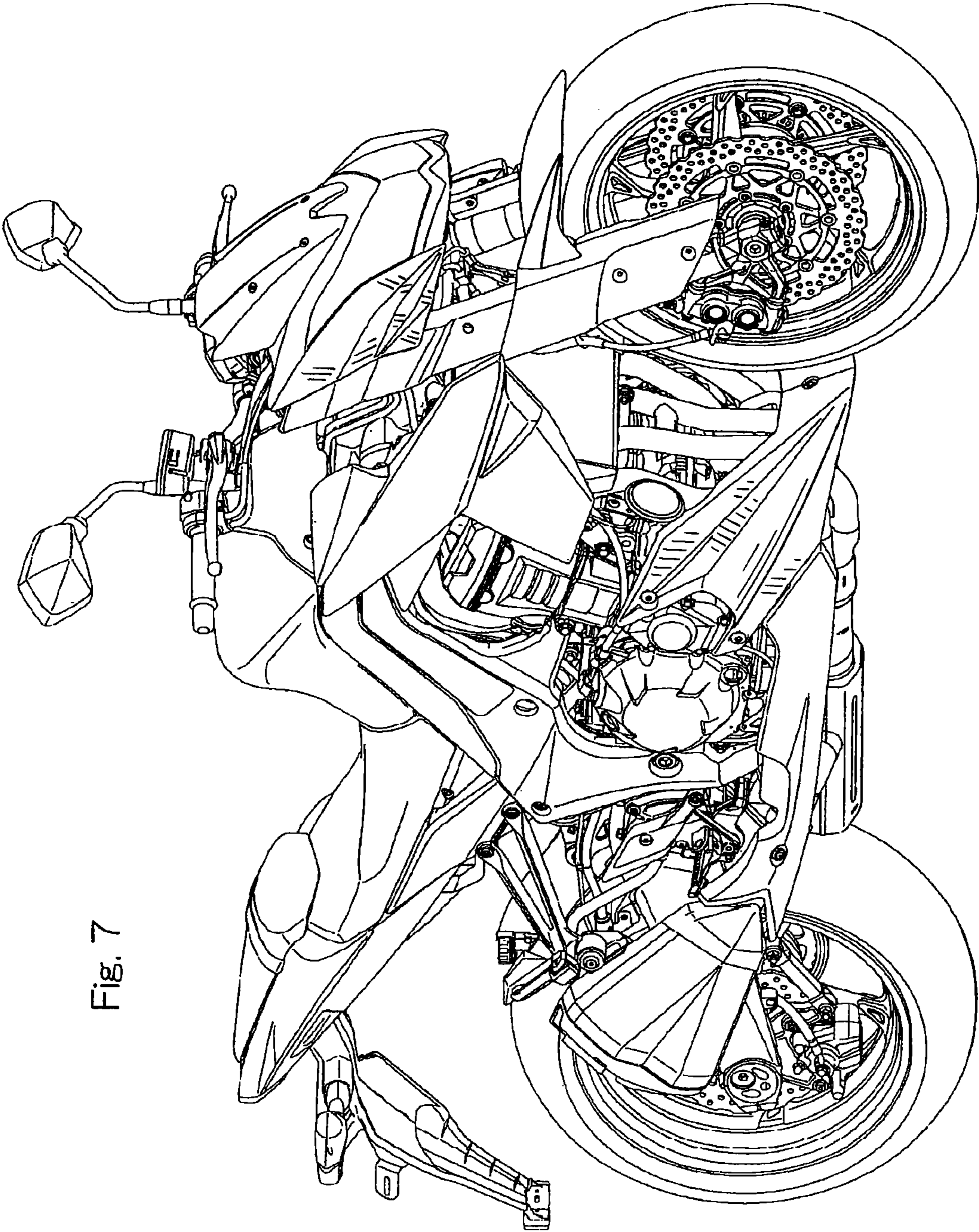


Fig. 7

Fig. 8

