



US00D638751S

(12) **United States Design Patent**
Aaron et al.

(10) **Patent No.:** **US D638,751 S**

(45) **Date of Patent:** **** May 31, 2011**

(54) **BALLAST PLOW**

5,775,438 A * 7/1998 Confoey et al. 172/831
D570,377 S * 6/2008 Evans et al. D15/11

(75) Inventors: **Charles W Aaron**, Salado, TX (US);
Carlos Martinez, Cedar Park, TX (US)

* cited by examiner

(73) Assignee: **Georgetown Rail Equipment Company**, Georgetown, TX (US)

Primary Examiner — T. Chase Nelson

Assistant Examiner — Ania Dworzecka

(**) Term: **14 Years**

(74) *Attorney, Agent, or Firm* — Zarian Midgley & Johnson PLLC

(21) Appl. No.: **29/384,016**

(57) **CLAIM**

The ornamental design for a ballast plow, as shown and described.

(22) Filed: **Jan. 25, 2011**

DESCRIPTION

(51) **LOC (9) Cl.** **12-03**

FIG. 1 is a right side view of the ballast plow of the present invention, as it may be mounted on a Railroad Hopper Car.

(52) **U.S. Cl.** **D12/42**

FIG. 2 is a top left front isometric view of the ballast plow of FIG. 1;

(58) **Field of Classification Search** D12/36,
D12/42, 45, 43; D15/10, 11, 28; 37/198,
37/104

FIG. 3 is a bottom right front isometric view of the ballast plow of FIG. 1;

See application file for complete search history.

FIG. 4 is a top right rear isometric view of the ballast plow of FIG. 1;

(56) **References Cited**

U.S. PATENT DOCUMENTS

2,754,601	A *	7/1956	Meyer	37/231
2,861,359	A *	11/1958	Kershaw	37/104
3,803,733	A *	4/1974	Ramsey	37/273
D306,598	S *	3/1990	Swartzendruber et al.	D15/11
5,337,675	A *	8/1994	Aubermann	104/2
D377,653	S *	1/1997	Matisz et al.	D15/11
D396,236	S *	7/1998	Matisz et al.	D15/11

FIG. 5 is a top view of the ballast plow of FIG. 1;

FIG. 6 is a bottom view of the ballast plow of FIG. 1;

FIG. 7 is a front view of the ballast plow of FIG. 1;

FIG. 8 is a back view of the ballast plow of FIG. 1;

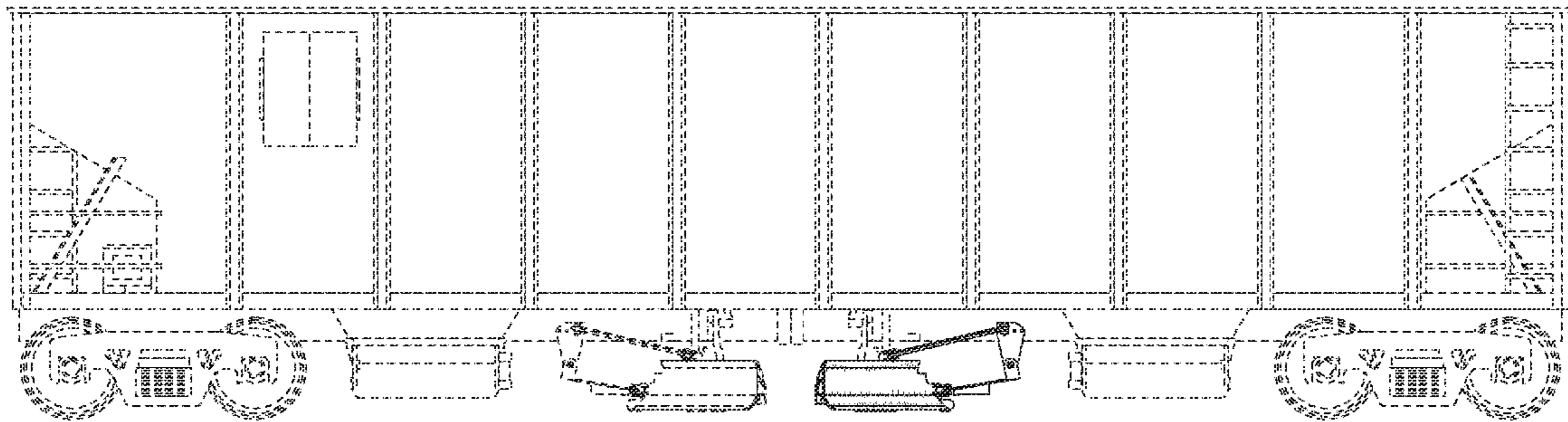
FIG. 9 is another right side view of the ballast plow of FIG. 1;

and,

FIG. 10 is a left side view of the ballast plow of FIG. 1.

In FIG. 1, the broken lines depict environmental subject matter only and form no part of the claimed design.

1 Claim, 8 Drawing Sheets



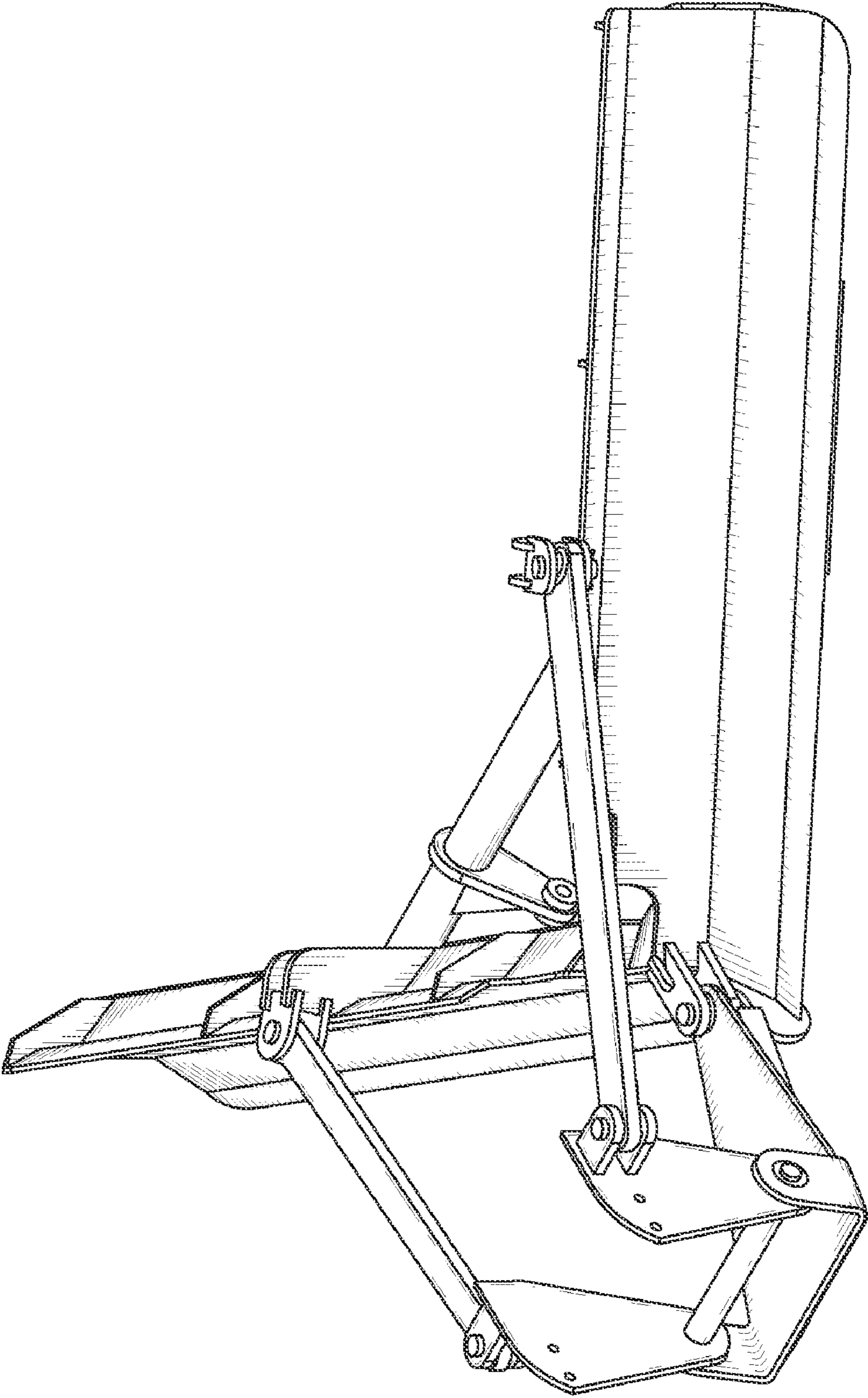


FIG. 2

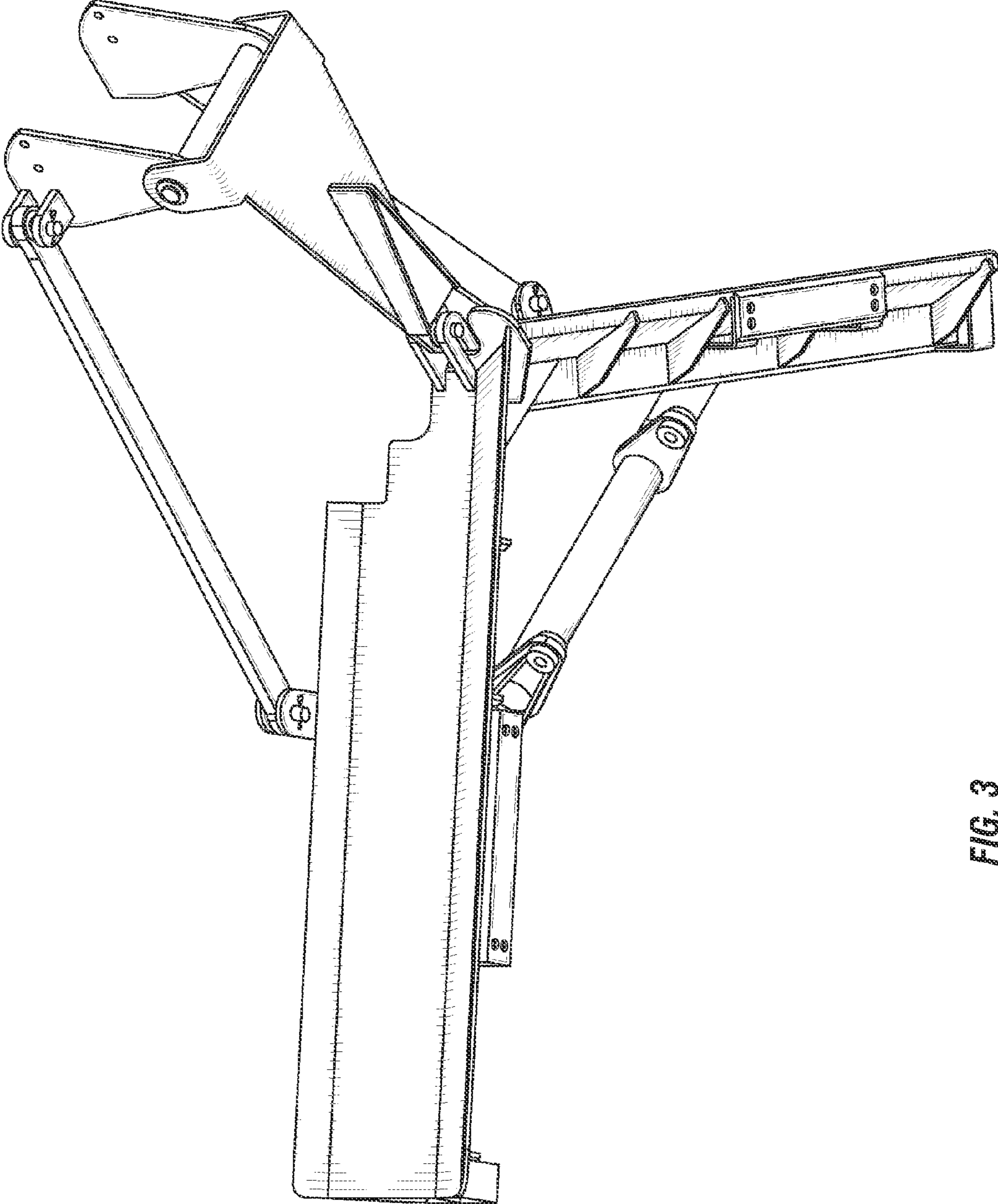


FIG. 3

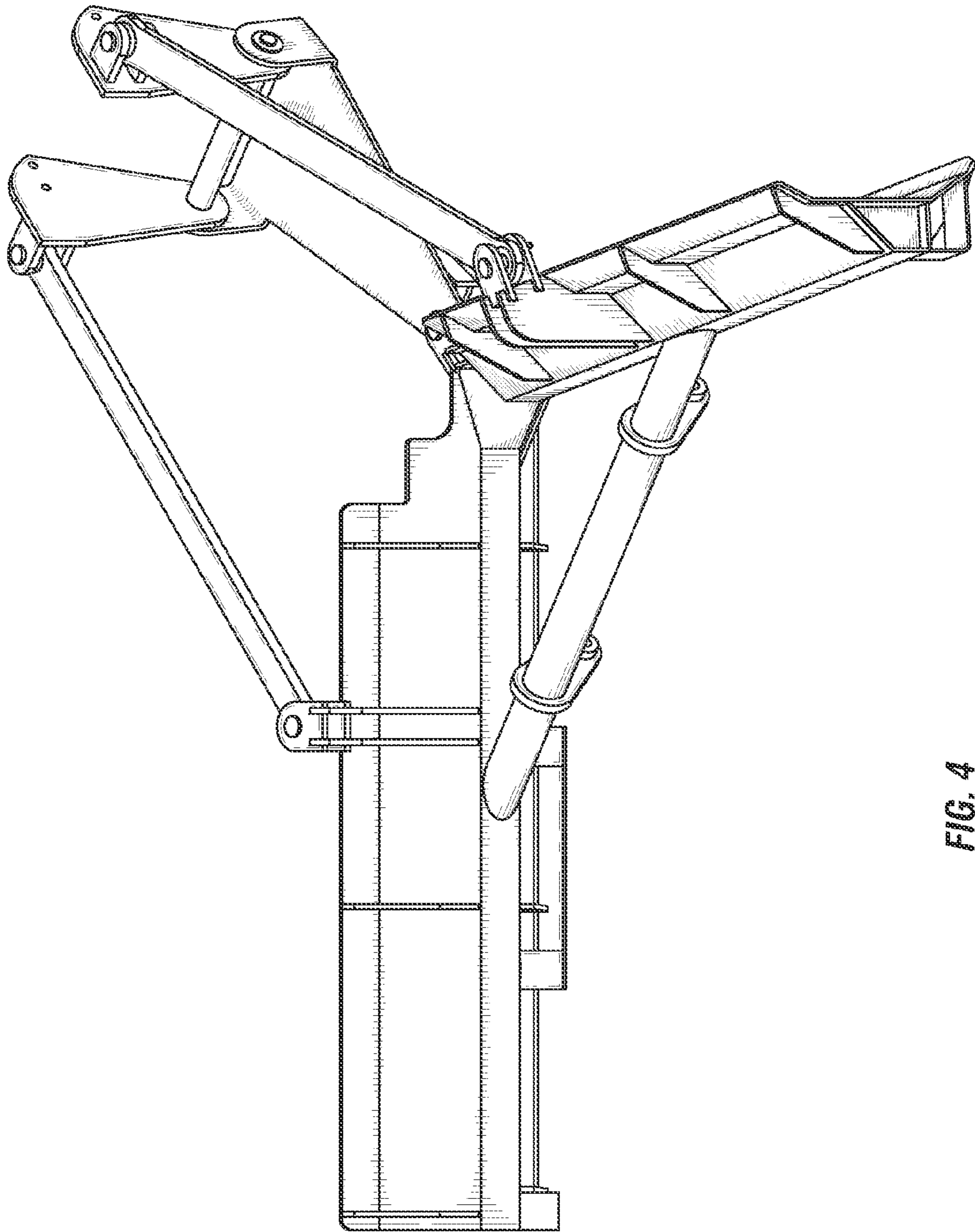


FIG. 4

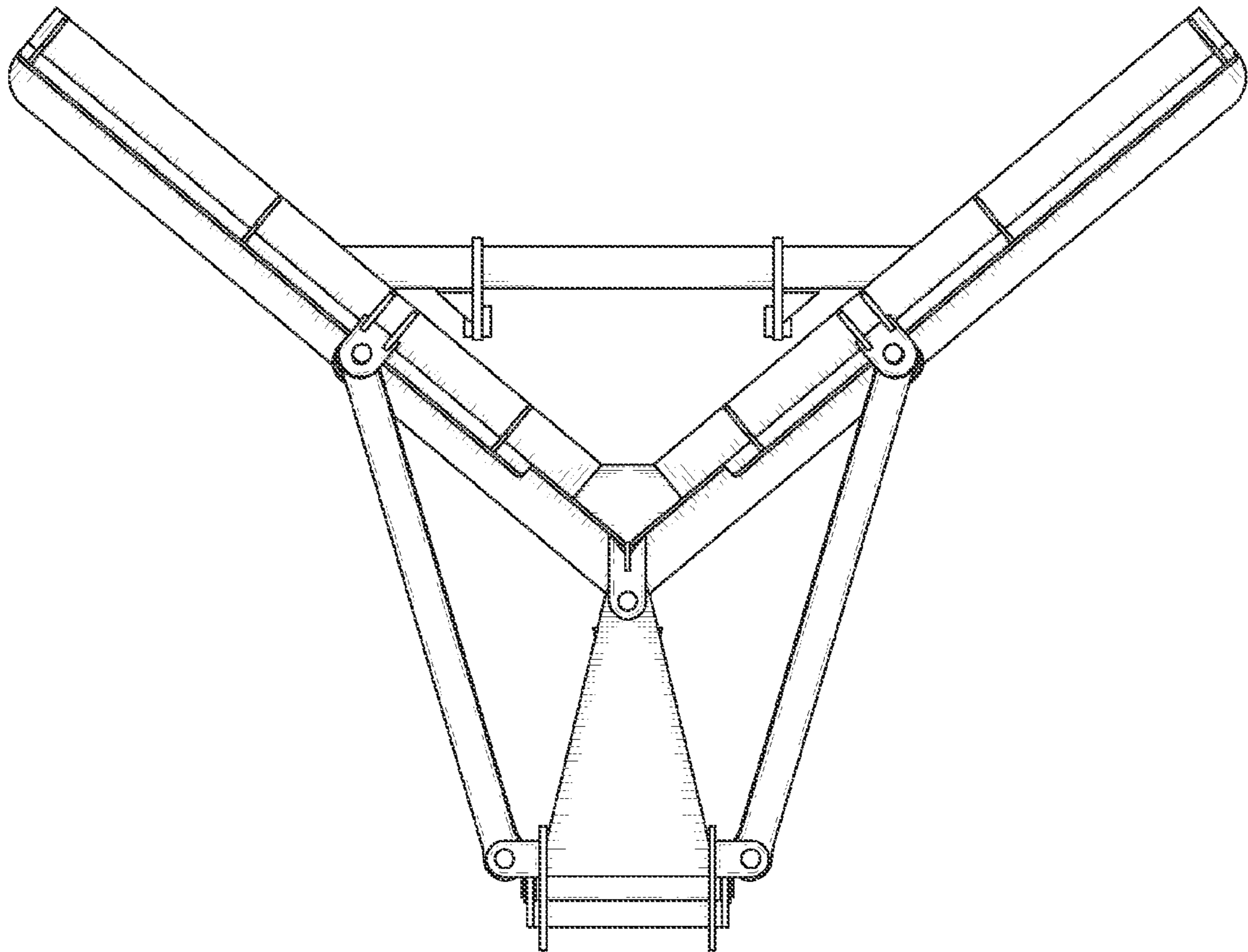


FIG. 5

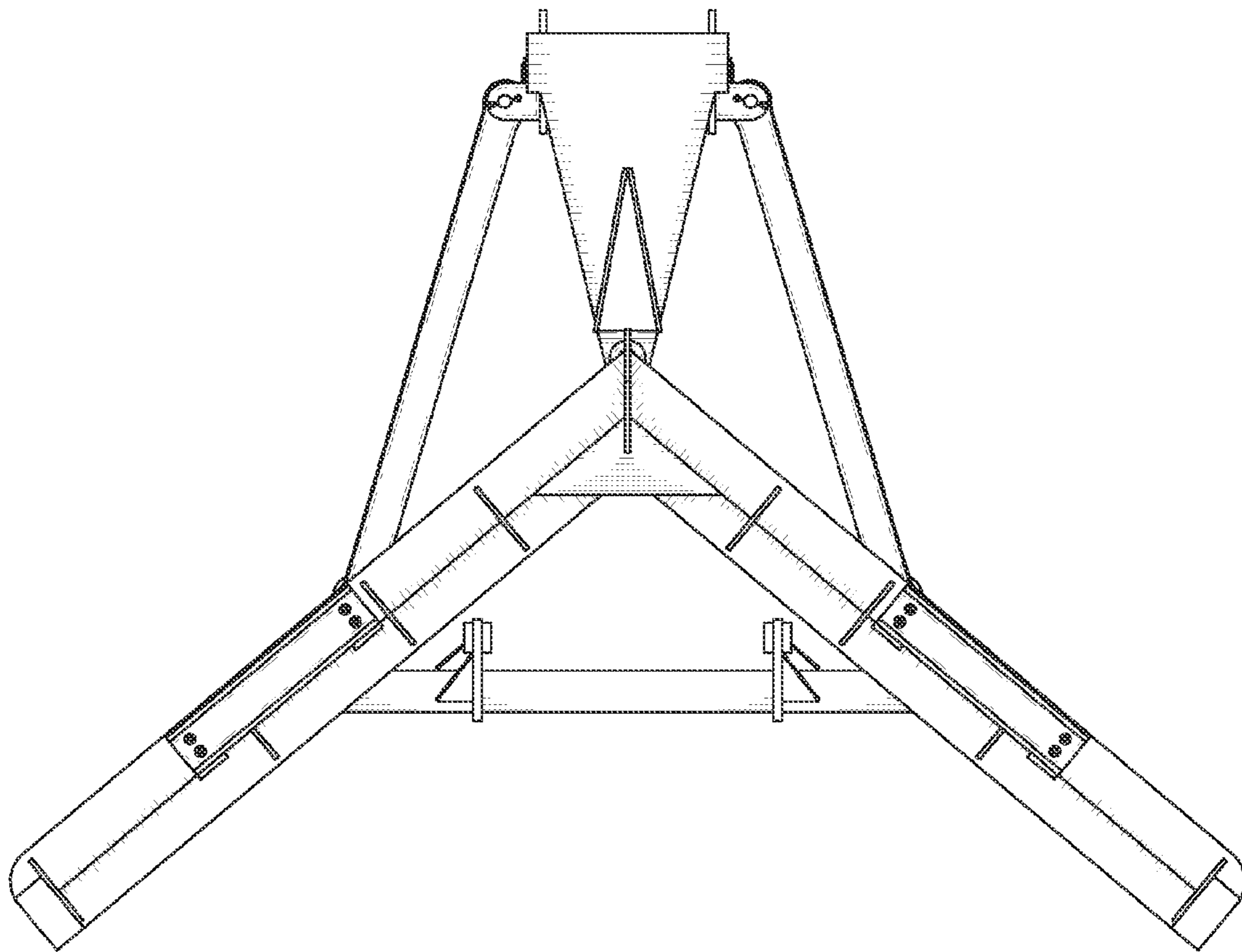


FIG. 6

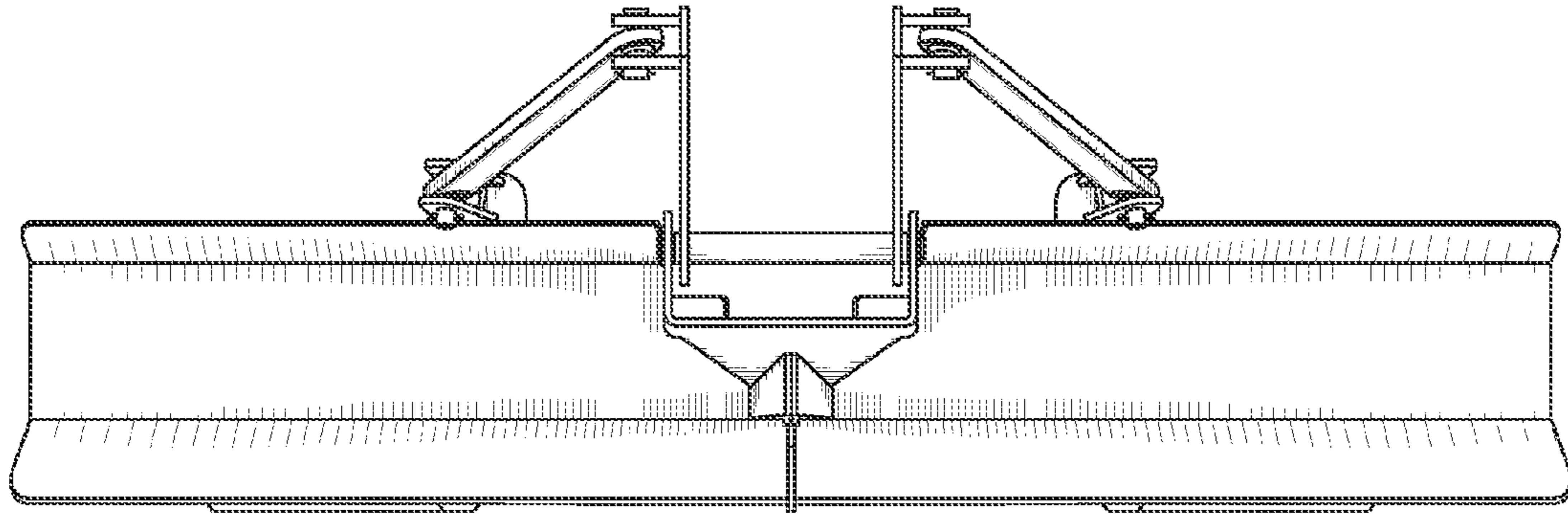


FIG. 7

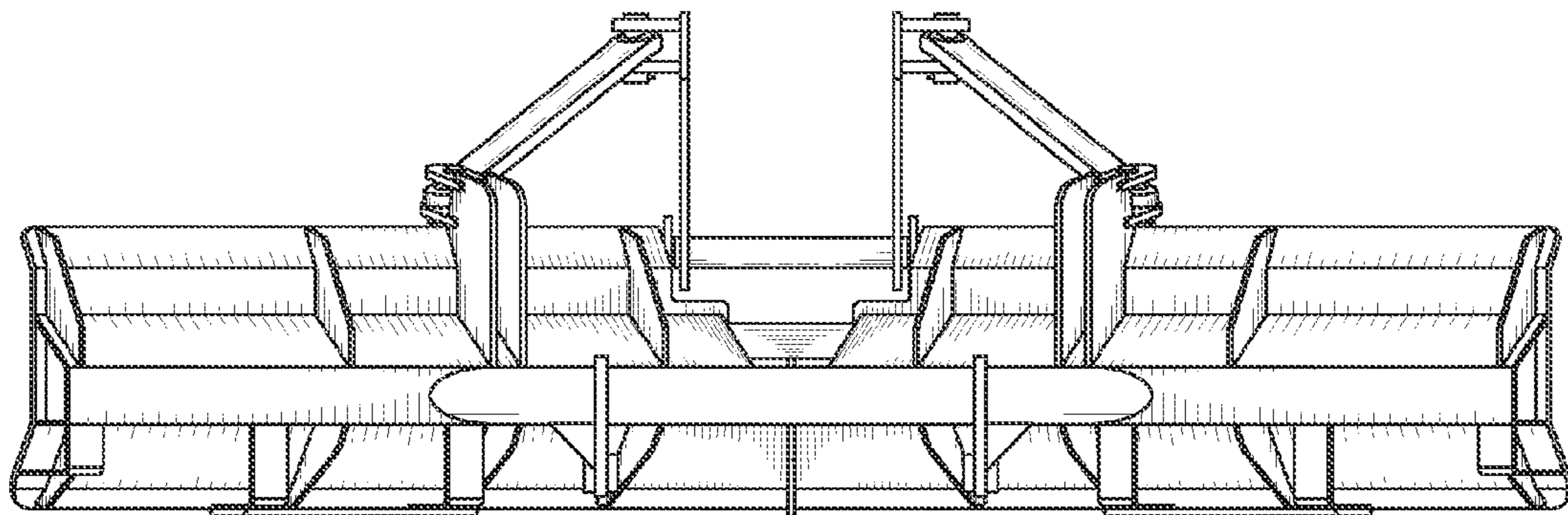


FIG. 8

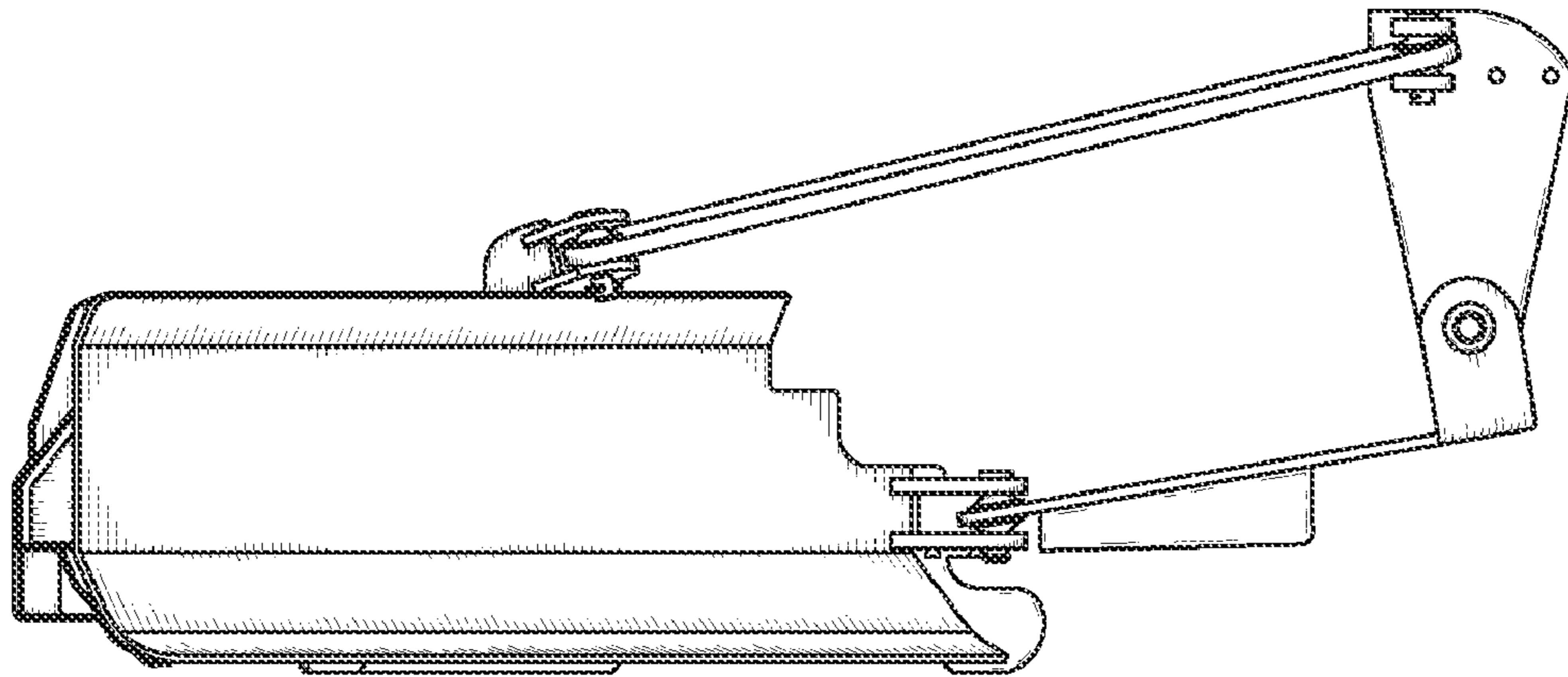


FIG. 9

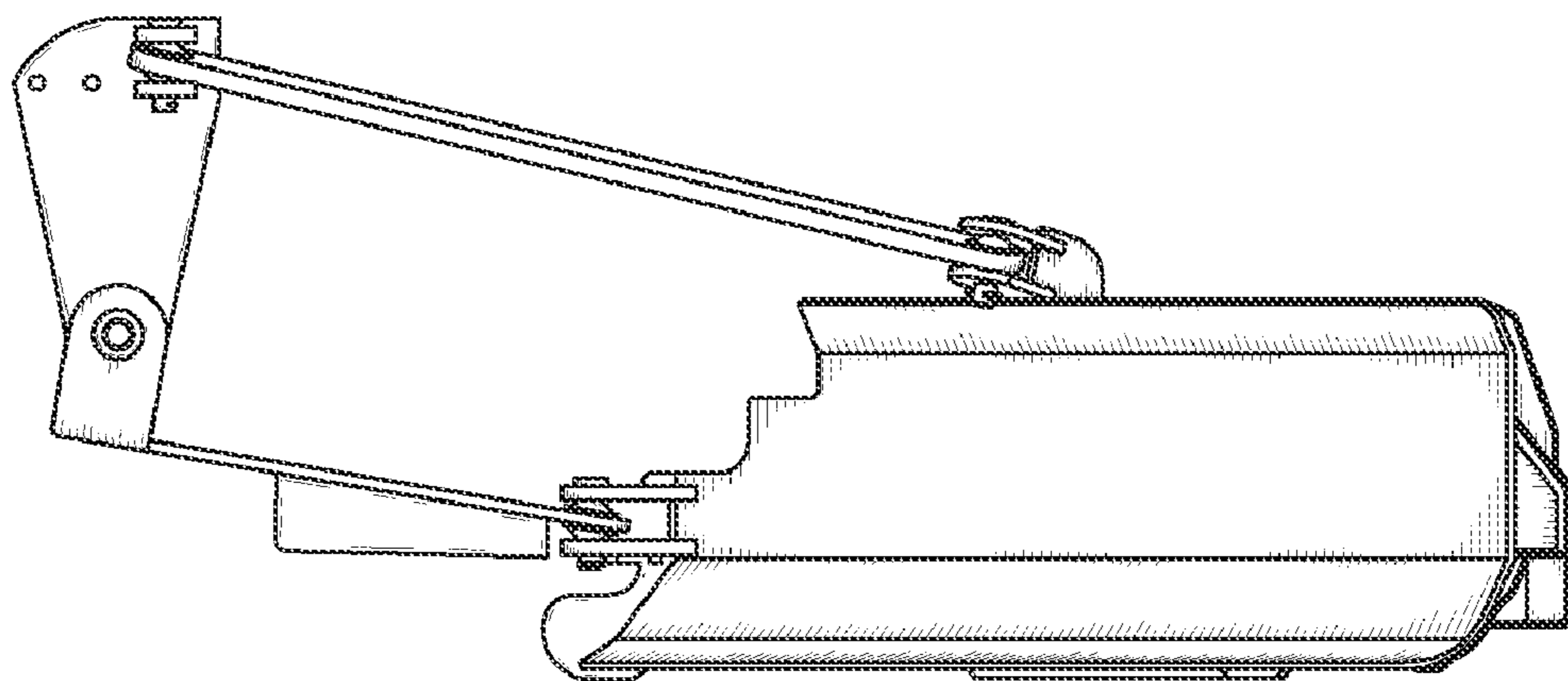


FIG. 10