



US00D638749S

(12) **United States Design Patent**  
**Moreno**

(10) **Patent No.:** **US D638,749 S**

(45) **Date of Patent:** **\*\* May 31, 2011**

(54) **WROUGHT IRON FLAG BRACKET**

(76) Inventor: **Kevin Moreno**, Newark, NJ (US)

(\*\*) Term: **14 Years**

(21) Appl. No.: **29/351,530**

(22) Filed: **Dec. 7, 2009**

(51) **LOC (9) Cl.** ..... **11-05**

(52) **U.S. Cl.** ..... **D11/182**

(58) **Field of Classification Search** ..... D11/165–183;  
D20/16, 17, 21, 28, 41–43; 40/218, 584,  
40/604, 606.01, 606.15, 607.01, 607.03,  
40/607.05; 116/173–175; 248/200, 218.4,  
248/511, 514, 518–521, 534–539

See application file for complete search history.

(56) **References Cited**

U.S. PATENT DOCUMENTS

412,117	A *	10/1889	Poire	116/173
D54,566	S	3/1920	Strong	
1,531,266	A *	3/1925	Anderson	40/617
D67,672	S	6/1925	Mohr	
D69,221	S	1/1926	Kimmelstiel	
D70,830	S	8/1926	Dlouhy	
D74,965	S	4/1928	Crawford	
D75,378	S *	5/1928	Markman	D20/41
D78,358	S	4/1929	Madvig	
D93,498	S *	10/1934	Markman	D20/41
D103,045	S *	2/1937	Ellis	D20/42
D179,901	S *	3/1957	Jossem	D20/42
D187,634	S *	4/1960	Parker	D20/17

2,965,892	A *	12/1960	Langdon	340/393.3
D192,407	S *	3/1962	Purdy	D20/42
D201,888	S	8/1965	Faulhaber	
D203,328	S *	12/1965	Cupp	D20/17
D248,340	S *	6/1978	Miller	D20/17
D292,782	S	11/1987	Restrepo	
D292,897	S	11/1987	Restrepo	
D344,447	S	2/1994	Kuehl	
D353,625	S *	12/1994	Thomsen	D20/41
D372,209	S	7/1996	Willis	
D476,919	S	7/2003	Vidmar	

\* cited by examiner

*Primary Examiner* — Karen Acker

(74) *Attorney, Agent, or Firm* — QuickPatents, Inc.; Kevin Prince

(57) **CLAIM**

What is claimed is the ornamental design for a wrought iron flag bracket, as shown and described.

**DESCRIPTION**

FIG. 1 is a perspective view of a wrought iron flag bracket, showing the new design;

FIG. 2 is a front elevational view thereof;

FIG. 3 is a rear elevational view thereof;

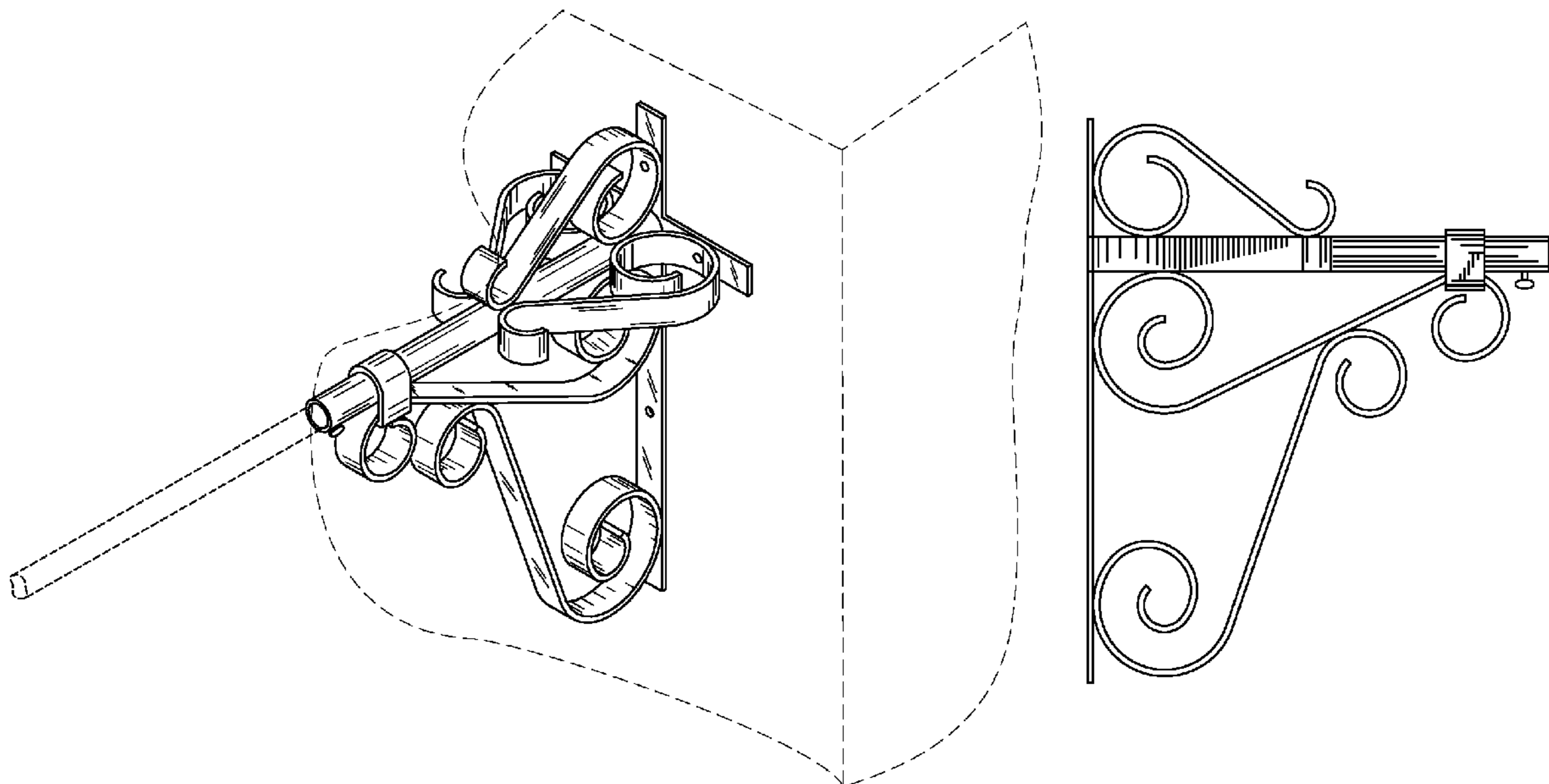
FIG. 4 is a right-side elevational view thereof, the left-side elevational view being a mirror image thereof;

FIG. 5 is a top plan view thereof; and,

FIG. 6 is a bottom plan view thereof.

The broken lines in the drawings represent unclaimed environmental subject matter.

**1 Claim, 2 Drawing Sheets**



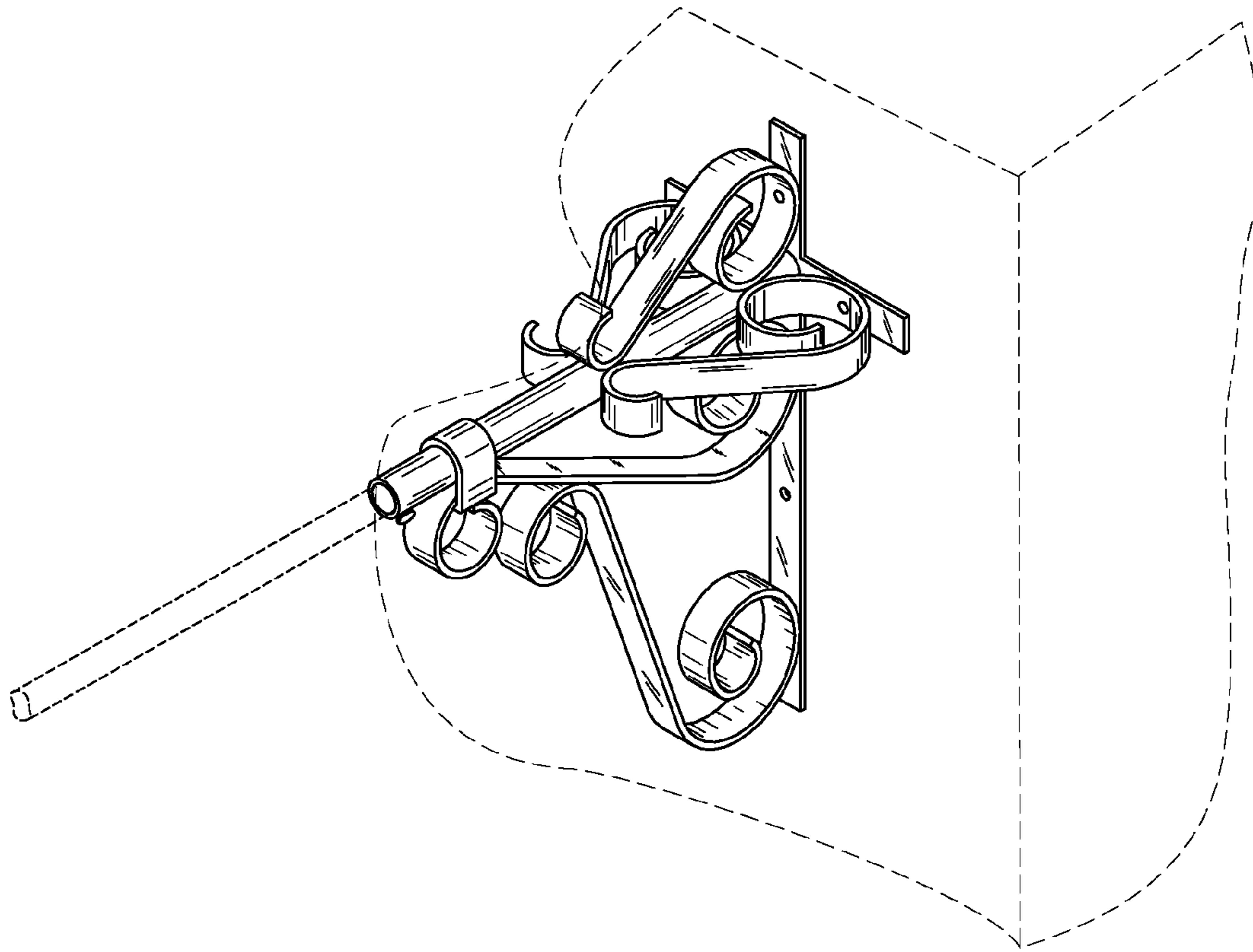


FIG. 1

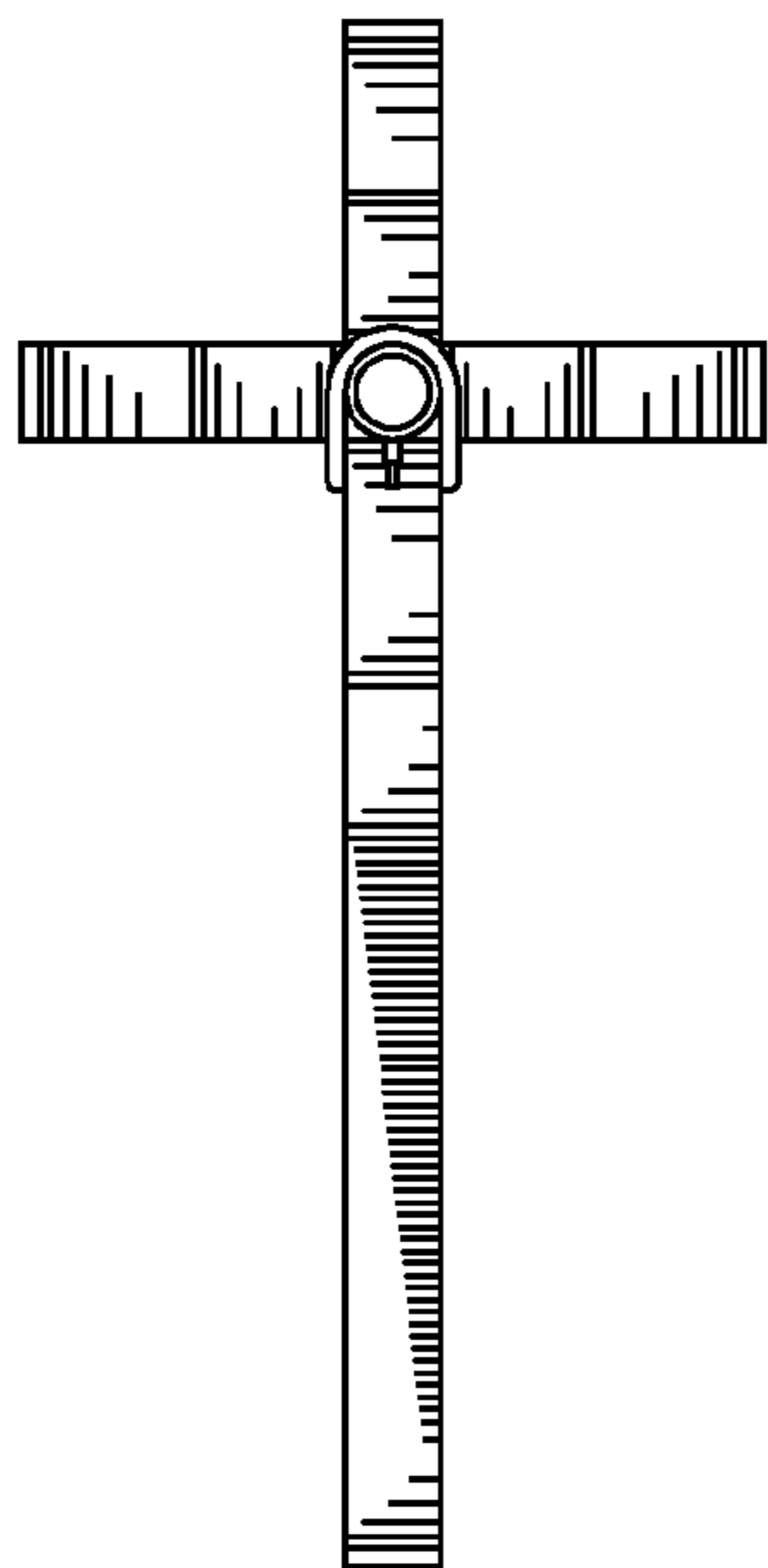


FIG. 2

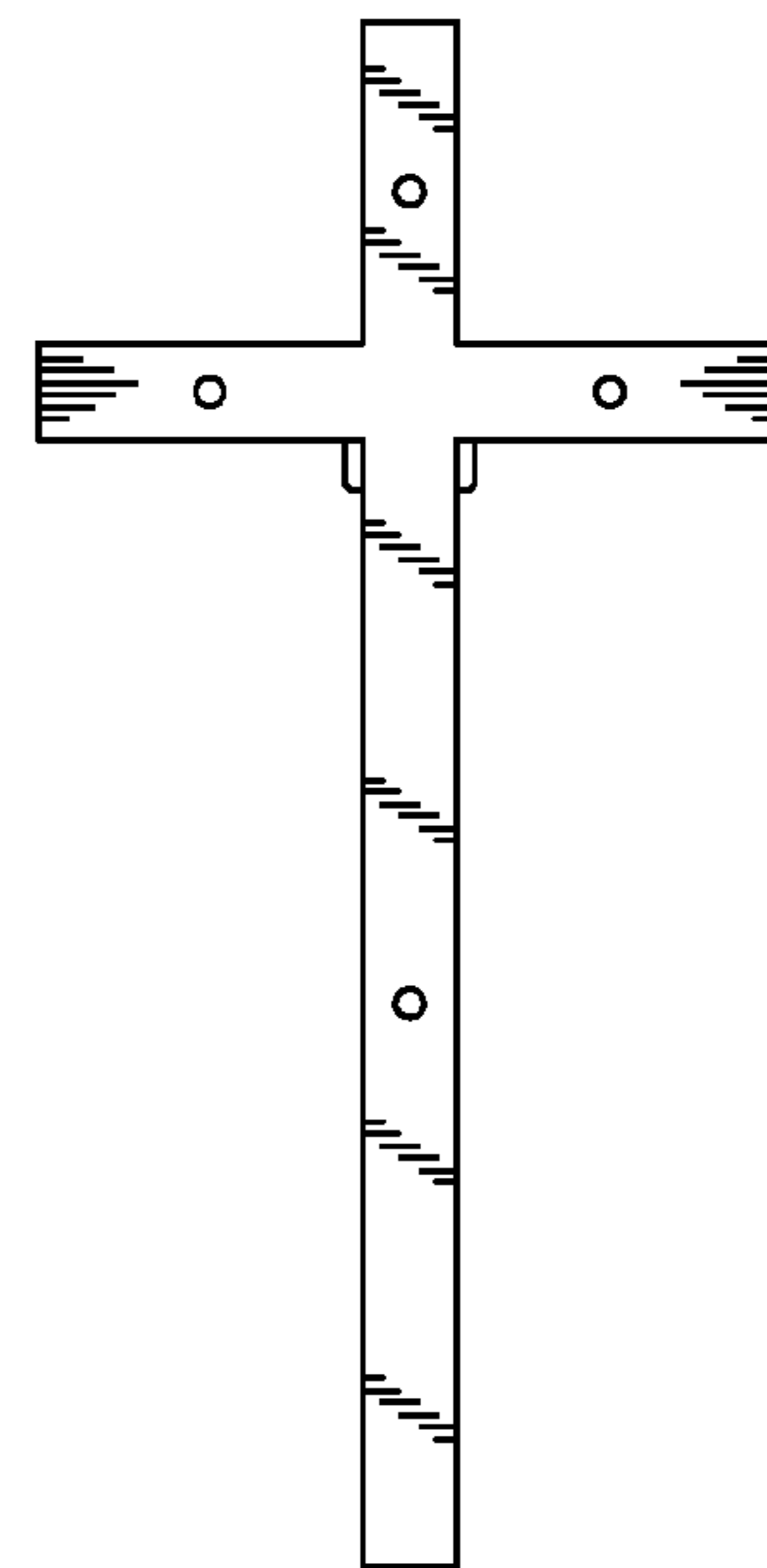


FIG. 3

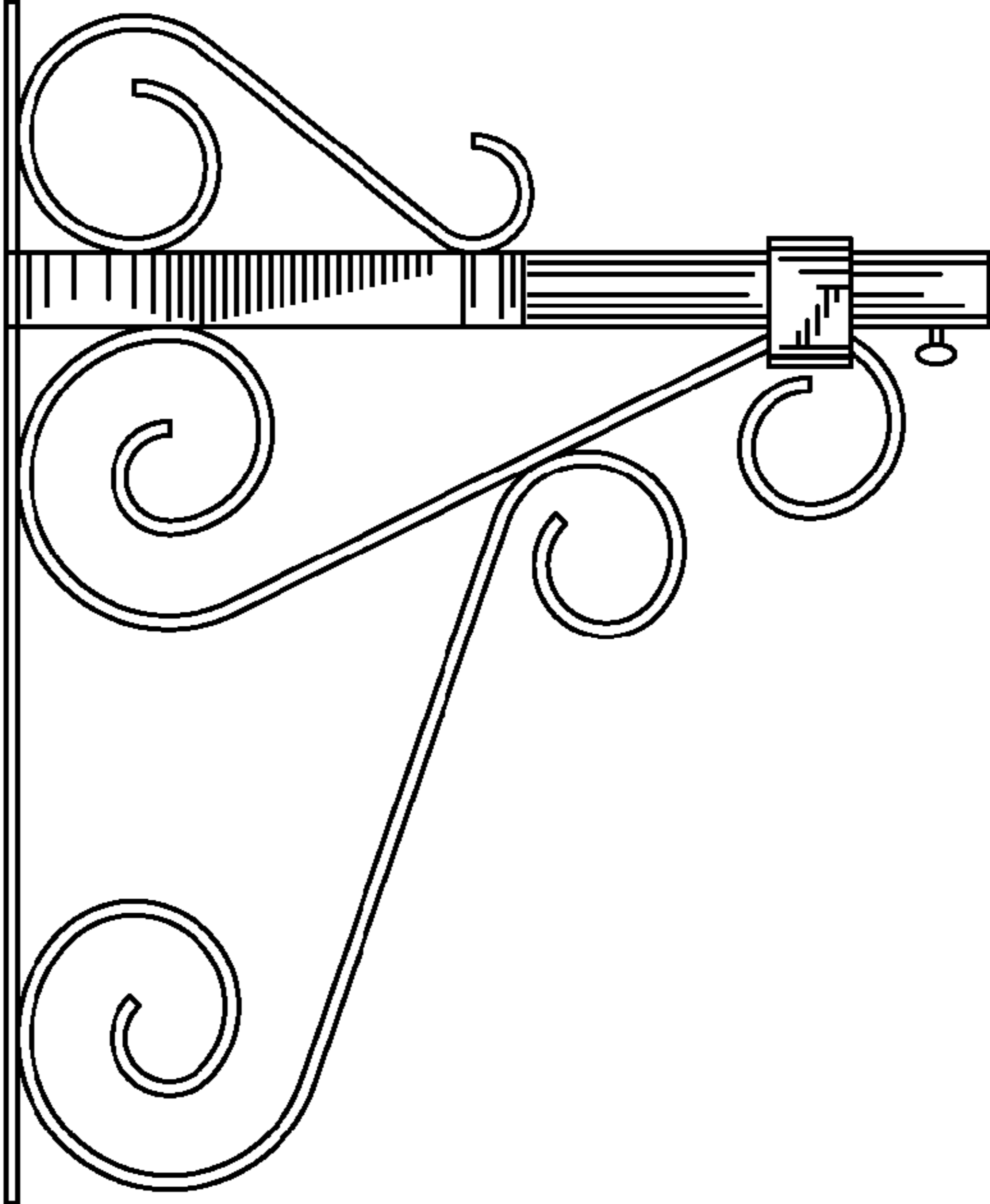


FIG. 4

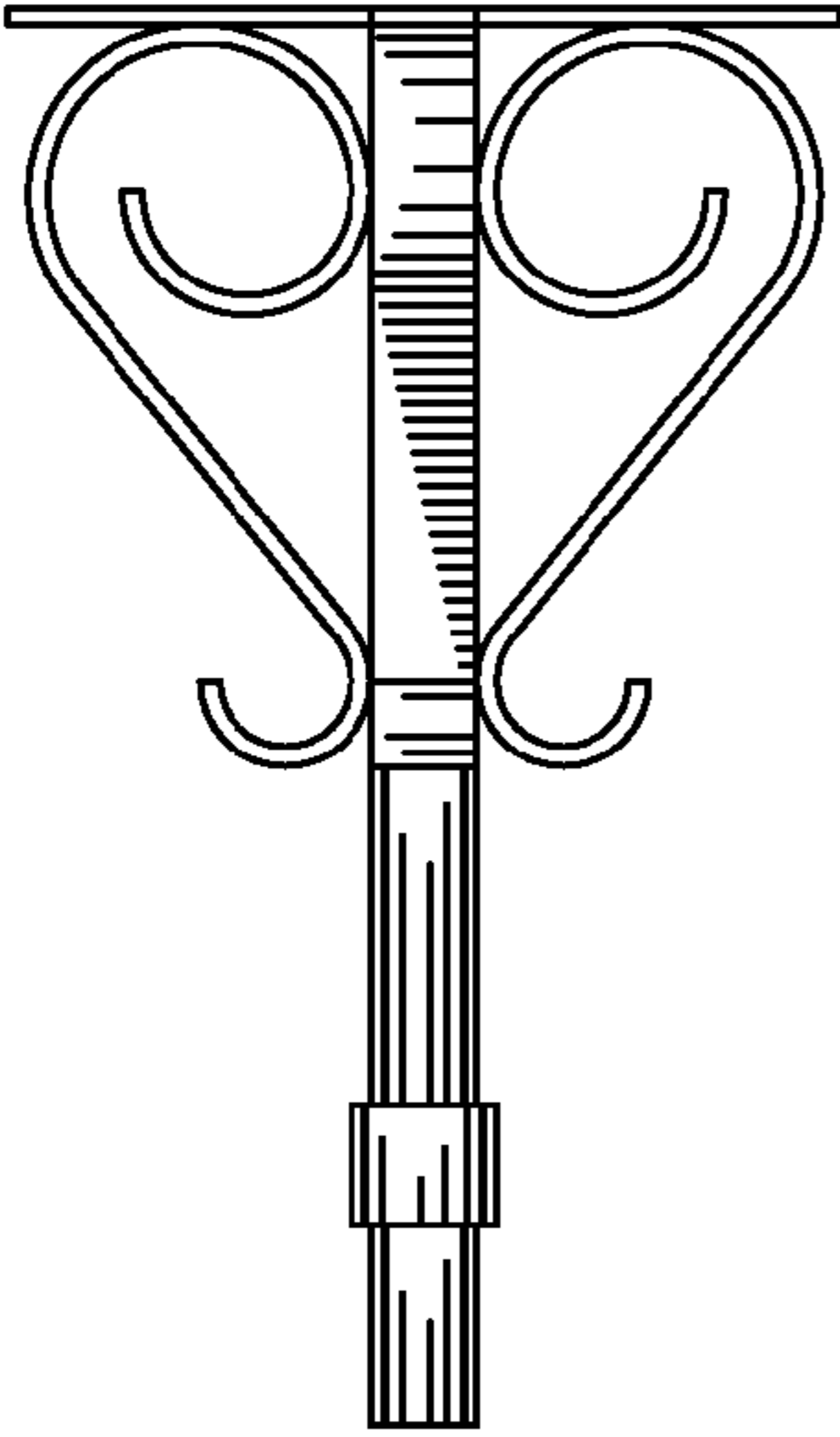


FIG. 5

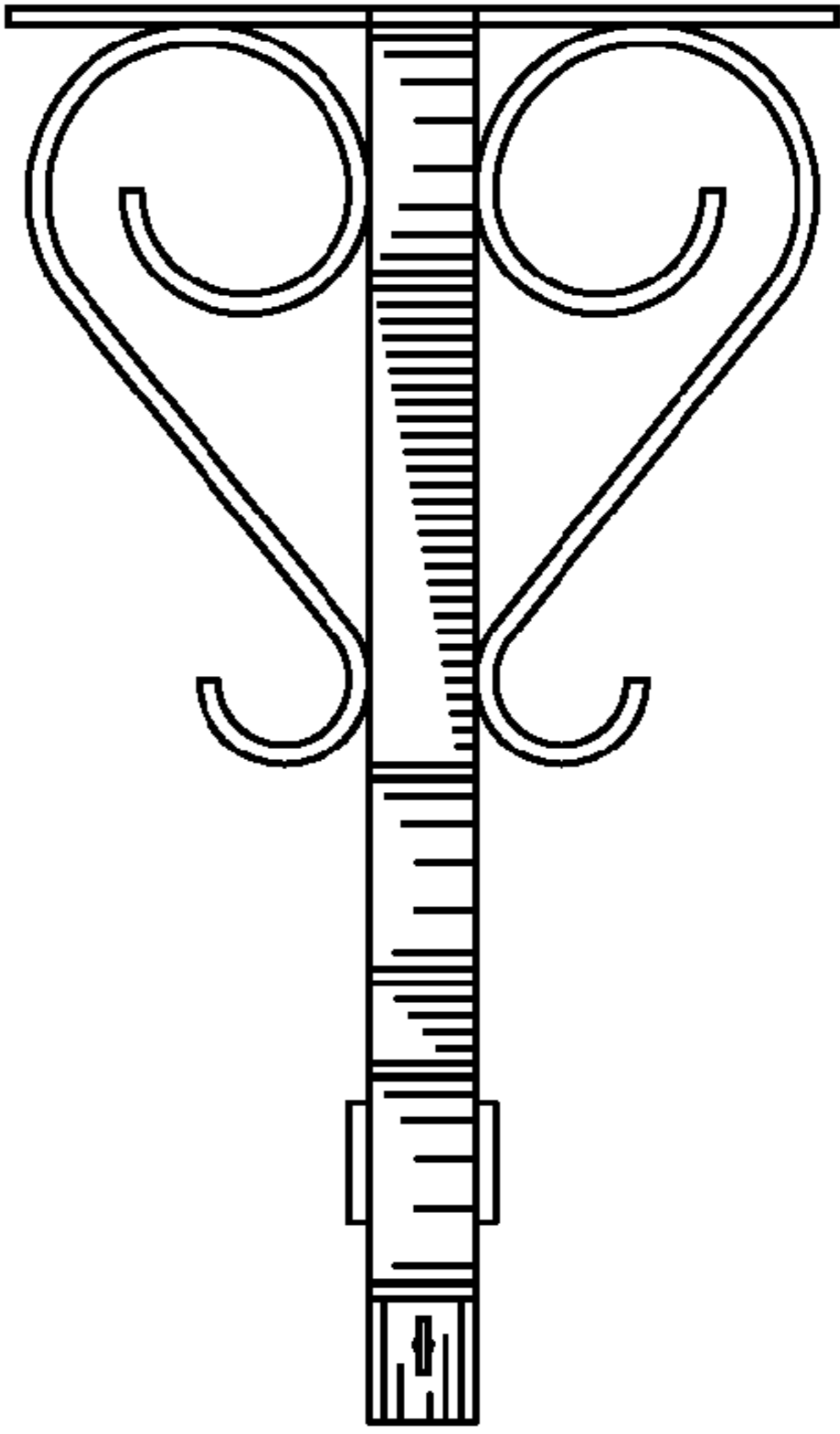


FIG. 6