



US00D638744S

(12) **United States Design Patent**  
**Phillips et al.**

(10) **Patent No.:** **US D638,744 S**  
(45) **Date of Patent:** **\*\* May 31, 2011**

(54) **INVERTED PLANTER WITH SUPPORT STRUCTURE**

(75) Inventors: **William J. Phillips**, Batavia, IL (US);  
**Michael R. Vogler**, Oswego, IL (US)

(73) Assignee: **Suncast Technologies, LLC**, Palm Beach Gardens, FL (US)

(\*\*) Term: **14 Years**

(21) Appl. No.: **29/352,204**

(22) Filed: **Dec. 17, 2009**

(51) **LOC (9) Cl.** ..... **11-02**

(52) **U.S. Cl.** ..... **D11/155; D6/403**

(58) **Field of Classification Search** ..... D6/403-405,  
D6/556-558; D8/1; D11/143-156, 164;  
D19/77, 80-82, 84; D25/100; D26/9-11,  
D26/16-18, 20, 22; D34/1, 2, 4-6; D99/5,  
D99/19; 47/32.7, 33, 39, 41.01, 41.1, 41.12,  
47/41.13, 41.15, 44-47, 65.5, 65.9, 66.1,  
47/66.3-66.6, 67-70

See application file for complete search history.

(56) **References Cited**

**U.S. PATENT DOCUMENTS**

D71,575 S \* 12/1926 Cartwright ..... D6/403  
D87,162 S \* 6/1932 Malik ..... D6/403

D94,704 S \* 2/1935 Miller ..... D6/405  
D323,591 S \* 2/1992 Stravitz ..... D6/405  
D338,116 S \* 8/1993 Gallagher ..... D6/405  
5,337,904 A \* 8/1994 Goldberg ..... 211/26.1  
D576,752 S \* 9/2008 Kubicek et al. .... D26/20  
D577,136 S \* 9/2008 Kubicek et al. .... D26/20  
D597,762 S \* 8/2009 Caruso ..... D6/405  
2005/0039391 A1 \* 2/2005 Morse ..... 47/39

\* cited by examiner

*Primary Examiner* — Garth Rademaker

(74) *Attorney, Agent, or Firm* — McHale & Slavin, P.A.

(57) **CLAIM**

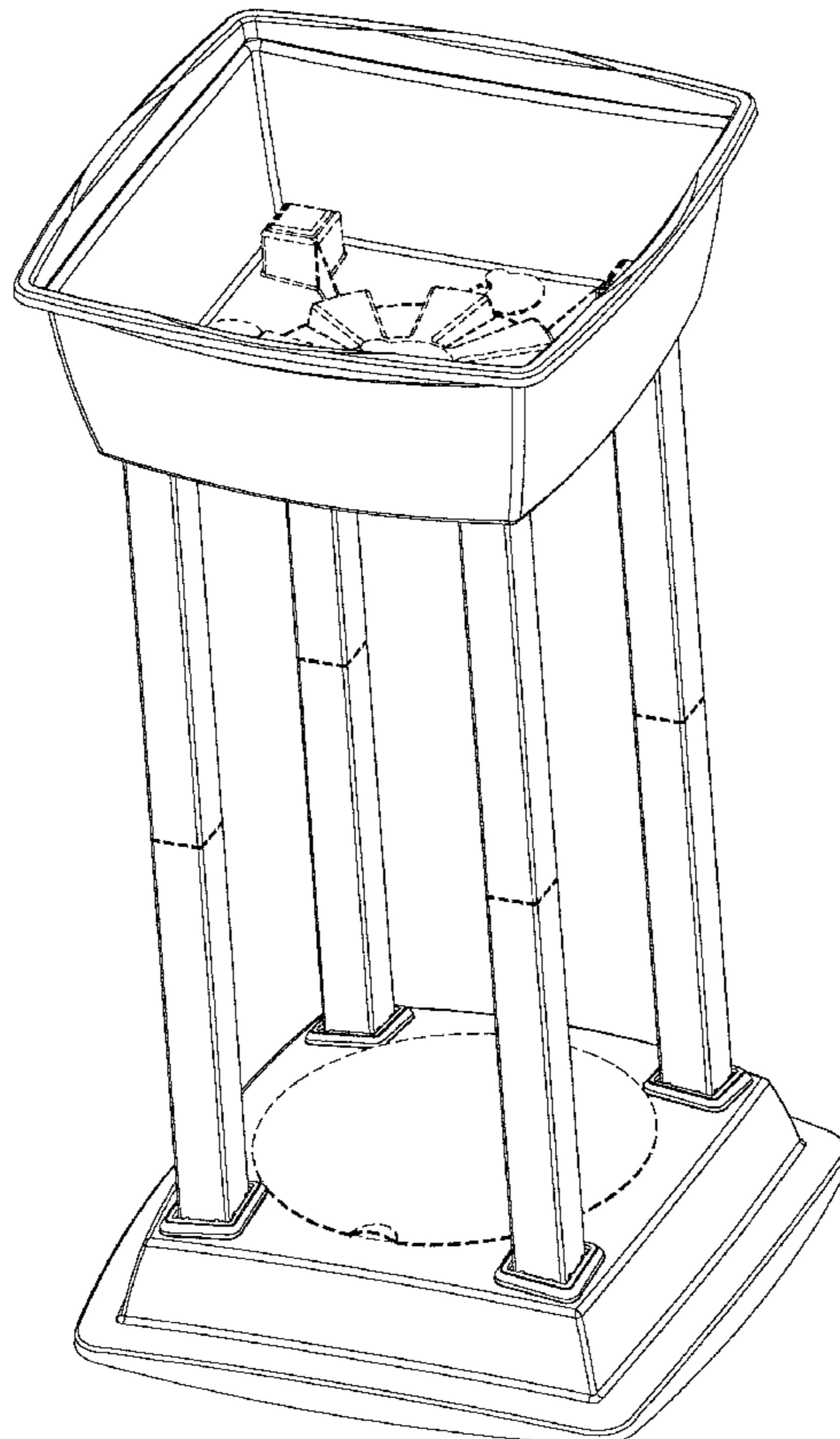
The ornamental design for an inverted planter with support structure, as shown and described.

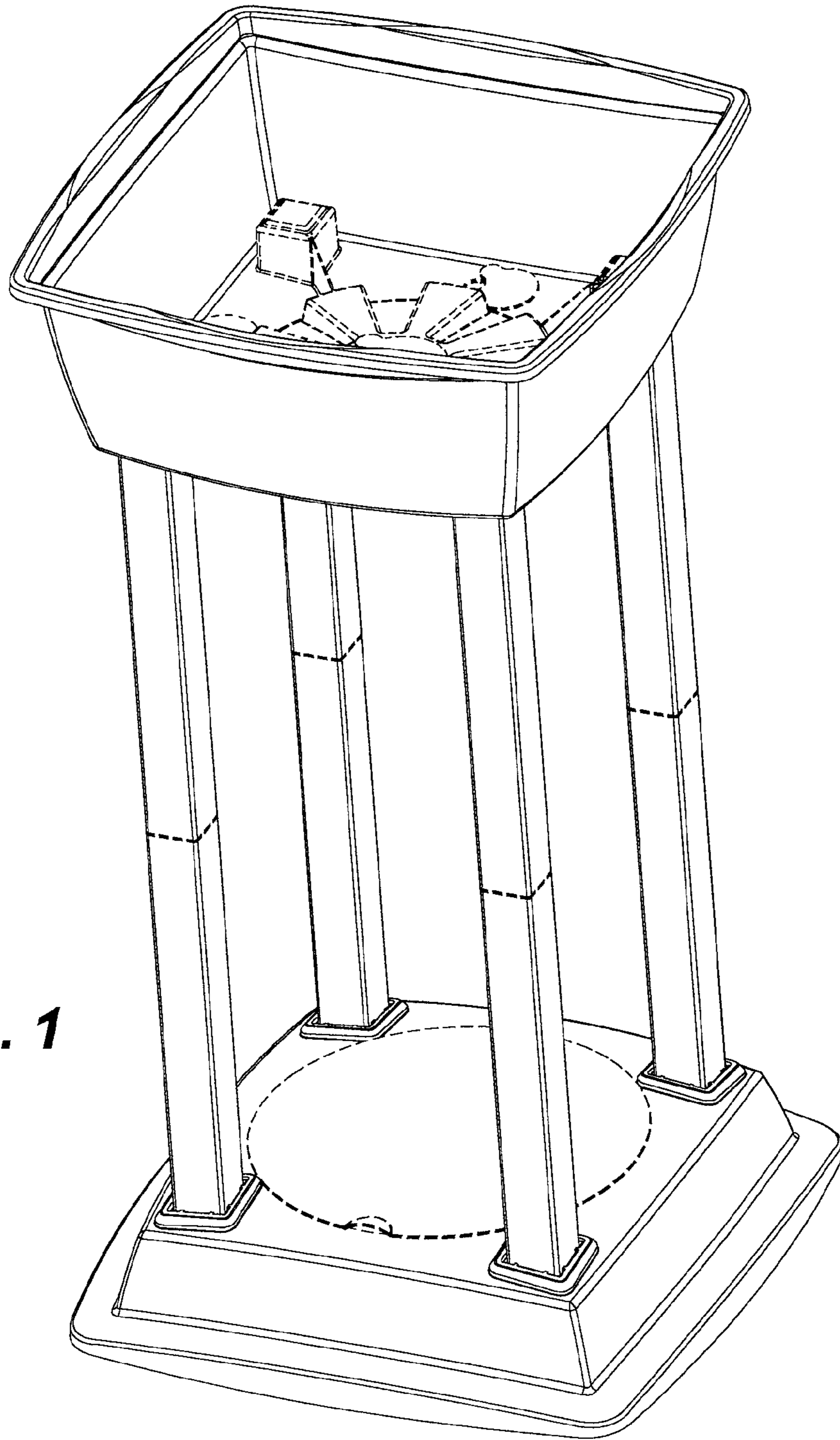
**DESCRIPTION**

FIG. 1 is a top right perspective view of an inverted planter with support structure of showing the new design;  
FIG. 2 is a top rear perspective view thereof;  
FIG. 3 is a bottom perspective view thereof;  
FIG. 4 is a front view thereof;  
FIG. 5 is a rear view thereof;  
FIG. 6 is a right side view thereof, the left side view being a mirror image thereof; and,  
FIG. 7 is a top view thereof.

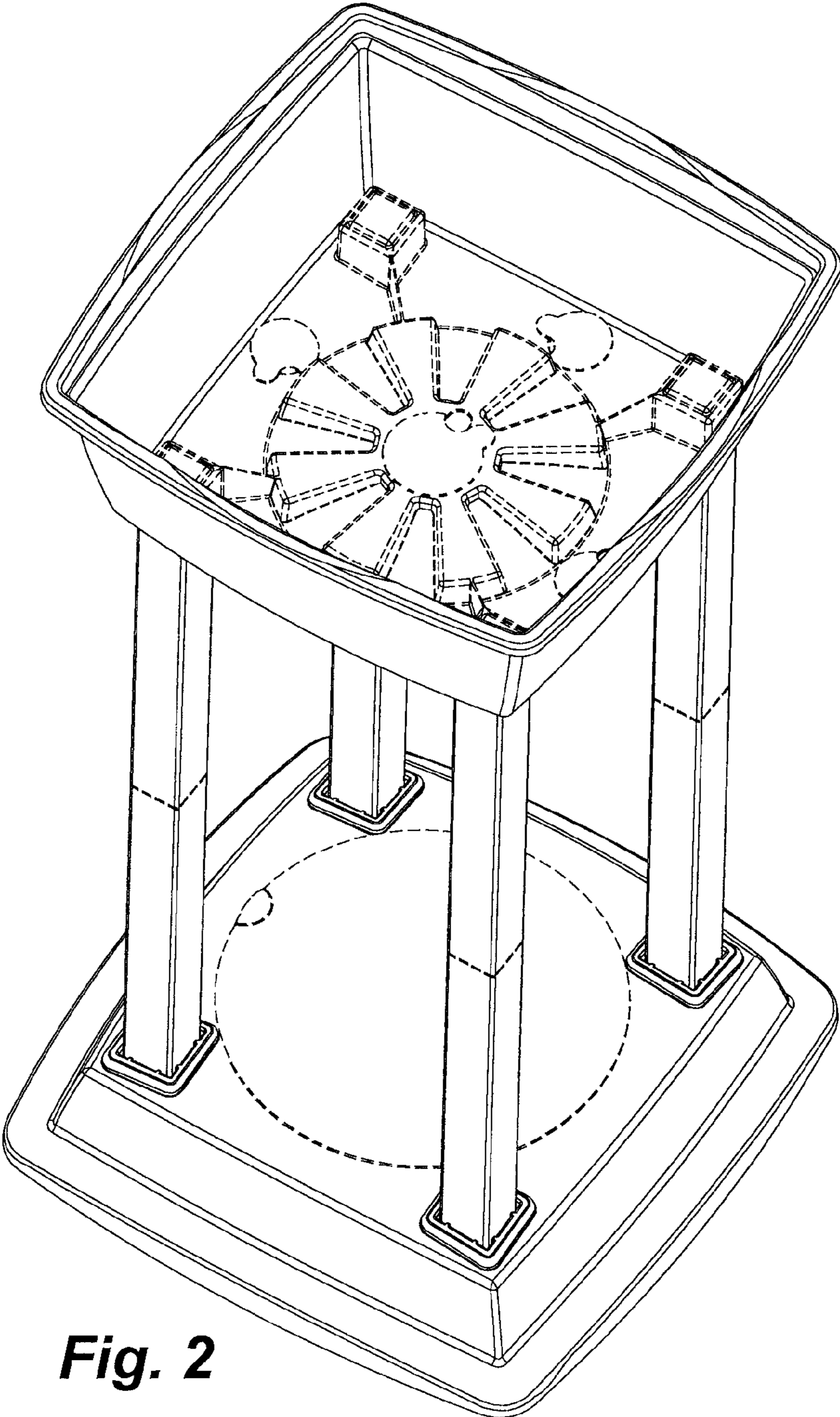
The broken line portions of the figures depict environmental subject matter only and form no part of the claimed design.

**1 Claim, 7 Drawing Sheets**

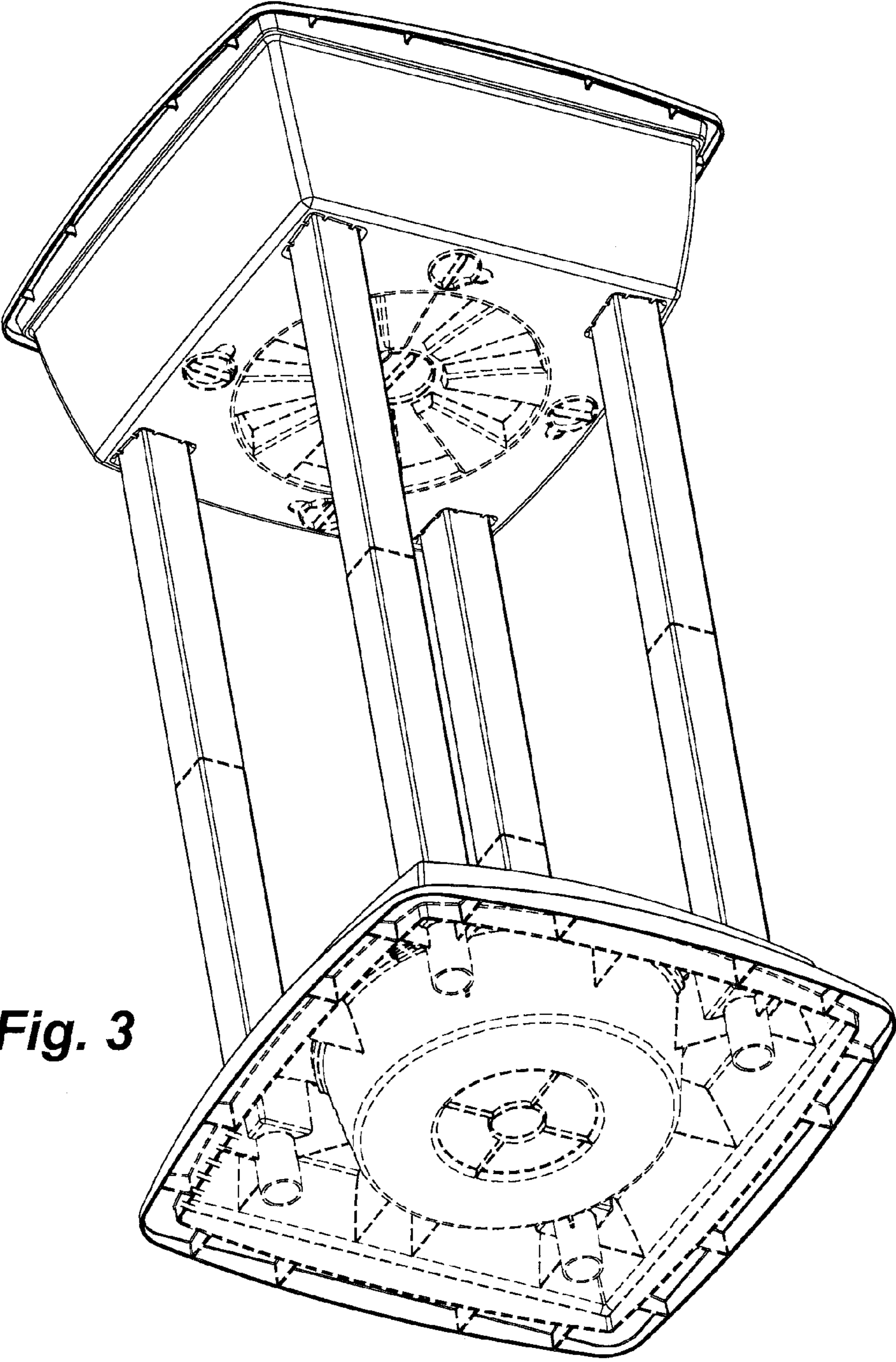




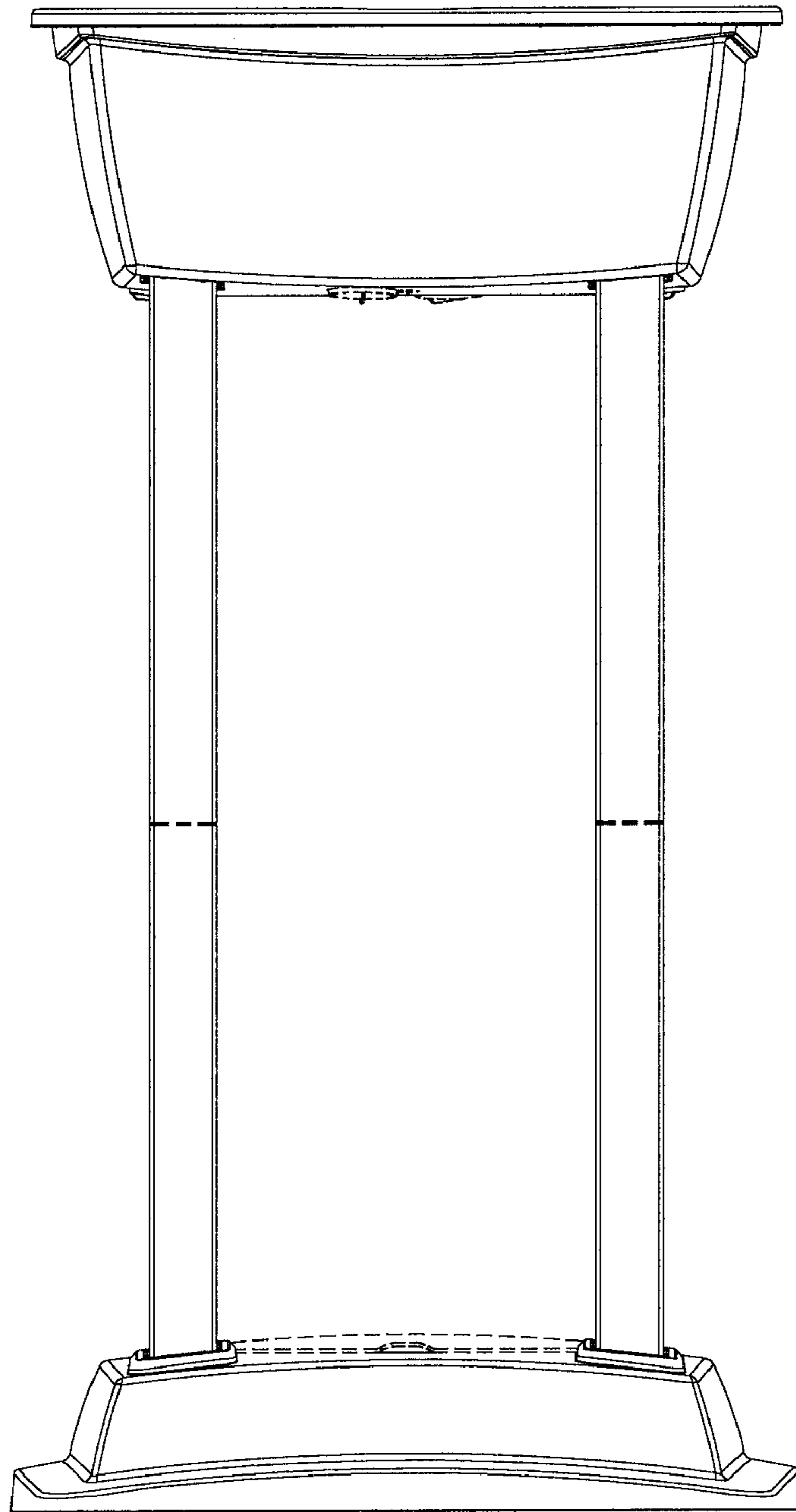
**Fig. 1**



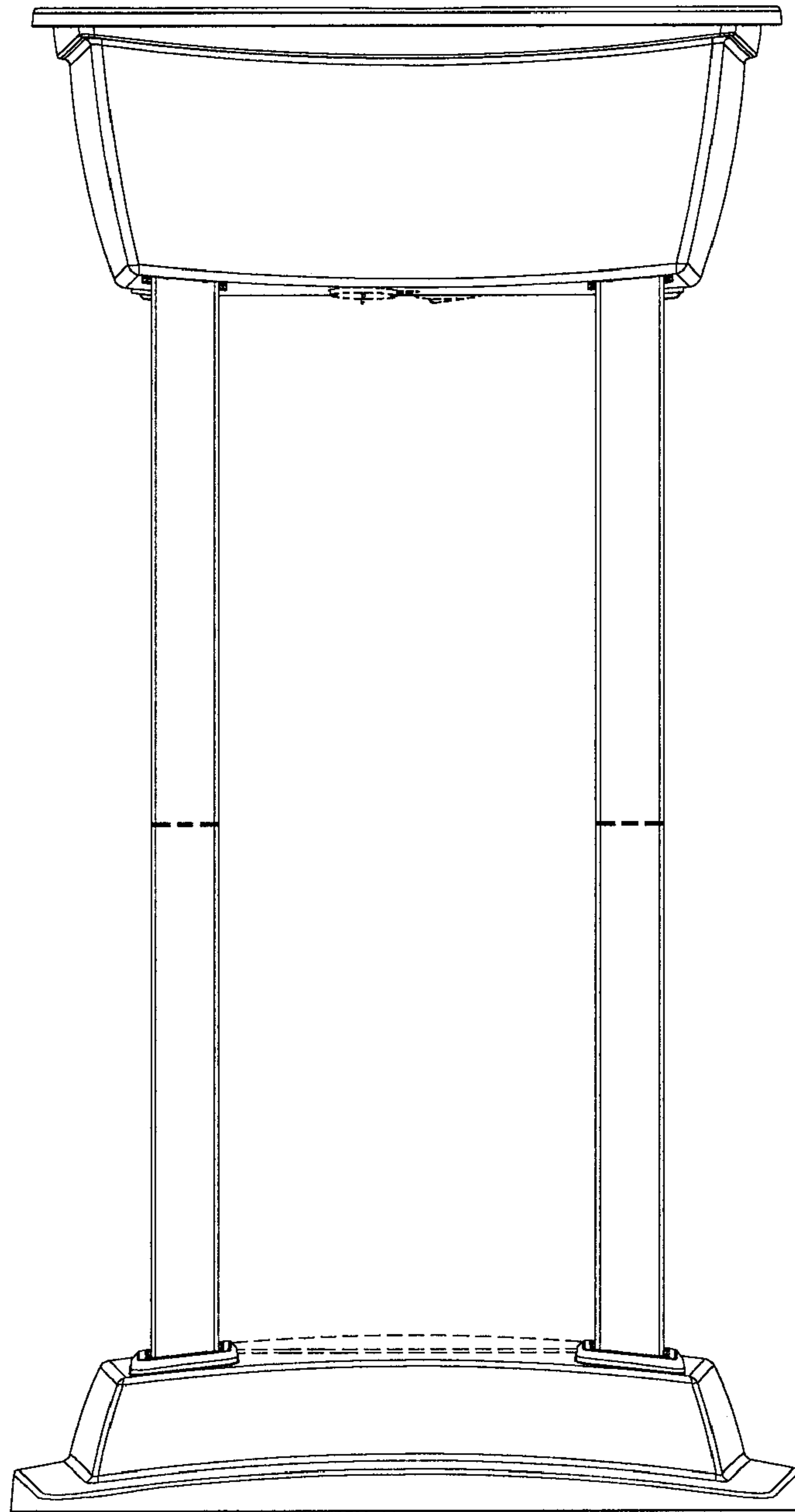
**Fig. 2**



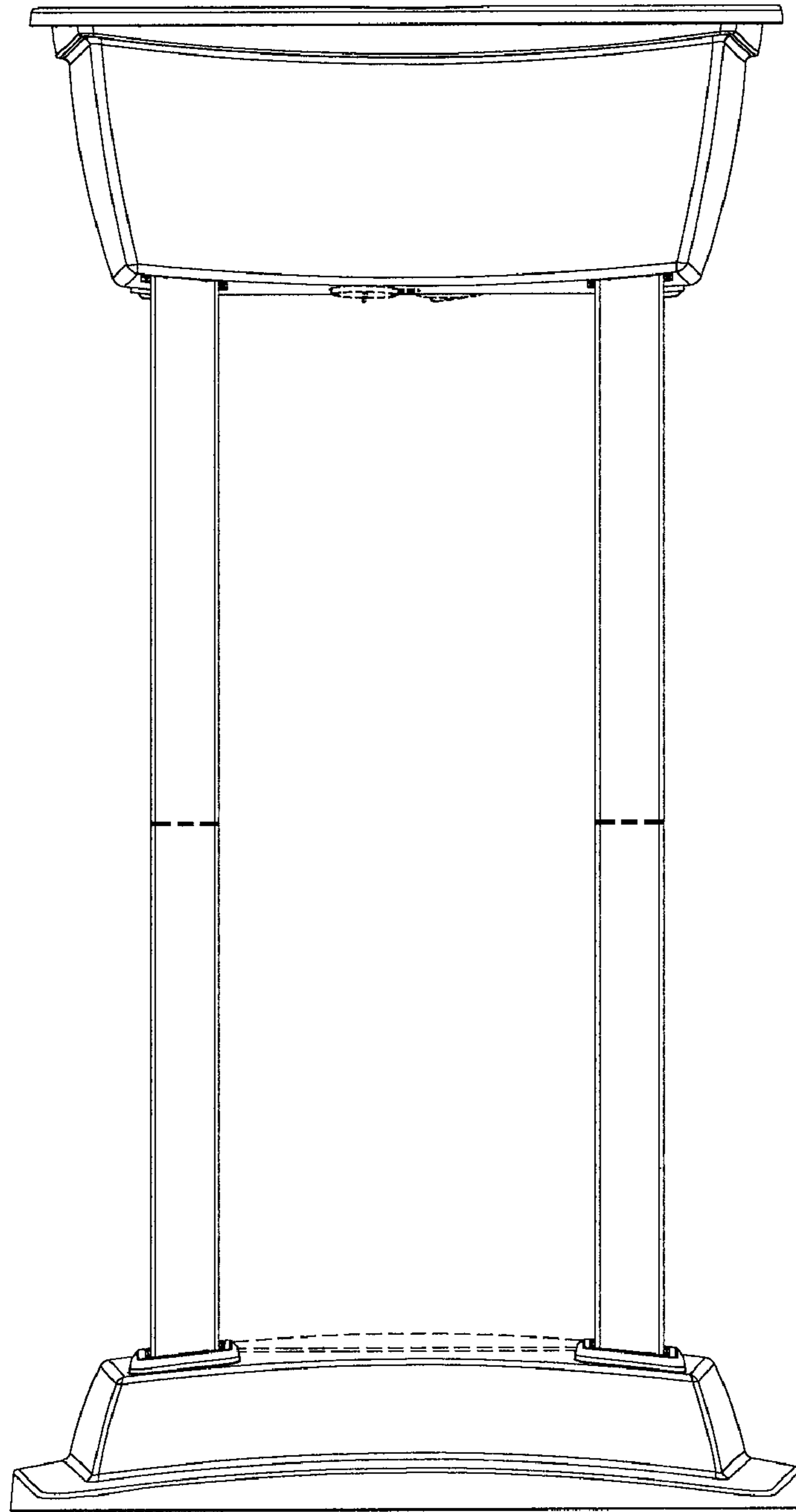
**Fig. 3**



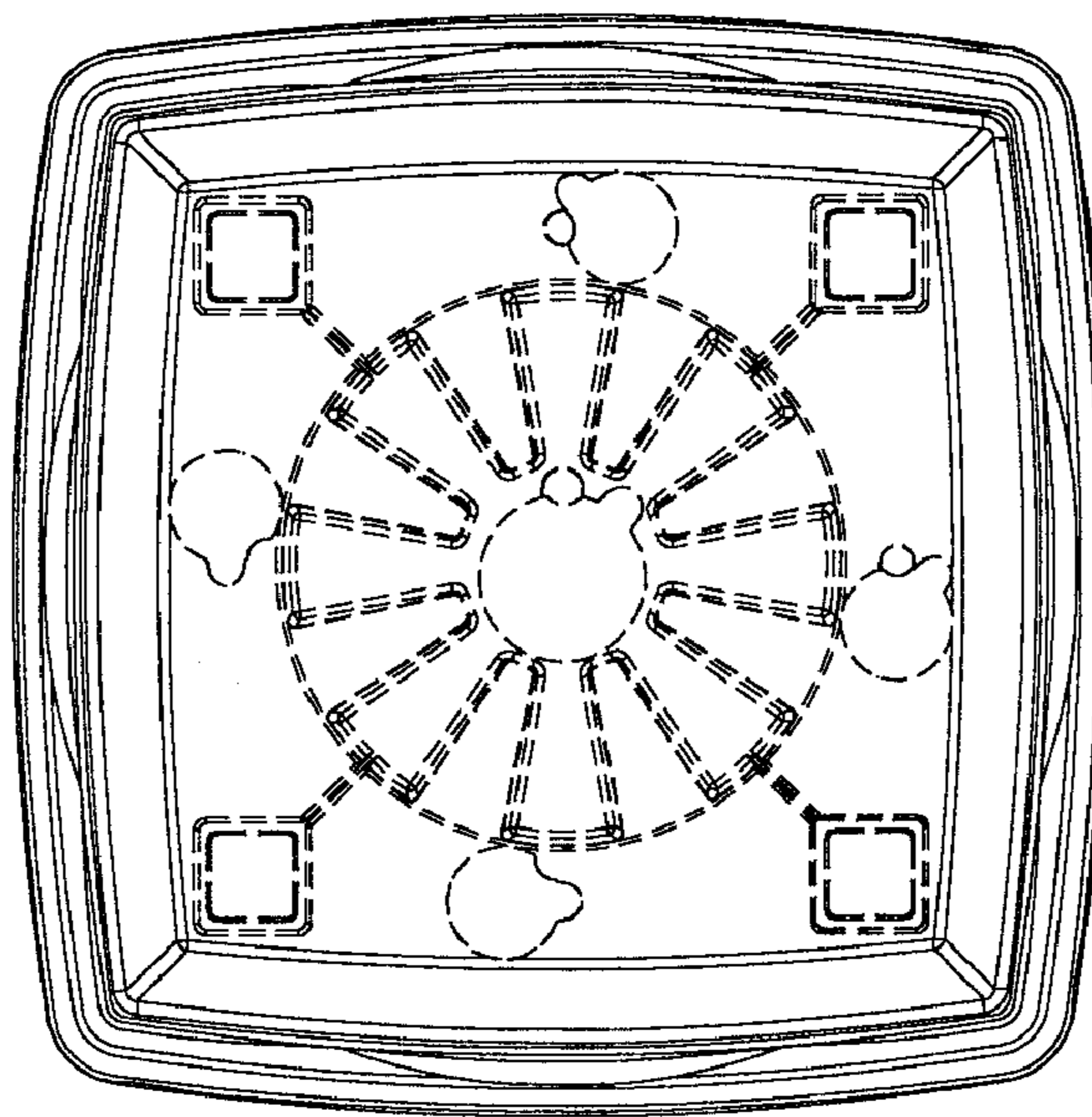
**Fig. 4**



***Fig. 5***



**Fig. 6**



**Fig. 7**