



US00D638743S

(12) **United States Design Patent**
Bouchard et al.

(10) **Patent No.:** **US D638,743 S**

(45) **Date of Patent:** **** May 31, 2011**

(54) **PLANT CULTURE SYSTEM**

(75) Inventors: **Maxime Bouchard**, Alma (CA); **Nicolas Moreau**, Métabetchouan-Lac-à-la-Croix (CA)

(73) Assignee: **7210299 Canada Inc.**, Alma (Québec) (CA)

(**) Term: **14 Years**

(21) Appl. No.: **29/341,551**

(22) Filed: **Aug. 7, 2009**

(51) **LOC (9) Cl.** **11-02**

(52) **U.S. Cl.** **D11/143**

(58) **Field of Classification Search** D6/403-405, D6/556-558; D8/1; D11/143-156, 164; D19/77, 80, 81, 84; D25/100; D26/9-11, D26/16, 19; D34/1, 2, 4-6; D99/5, 19; 47/17, 47/32.4, 32.5, 32.7, 33, 39, 41.01, 41.1, 41.11-41.15, 47/44-47, 65, 65.5, 65.9, 66.1, 66.2, 66.6, 47/66.7, 67-71

See application file for complete search history.

D435,740 S *	1/2001	Han	D6/405
D445,062 S *	7/2001	Wong	D11/147
6,408,570 B1	6/2002	Shih et al.		
D493,384 S *	7/2004	Jensen	D11/143
6,840,007 B2	1/2005	Leduc		
7,055,282 B2	6/2006	Bryan, III		
7,143,544 B2	12/2006	Roy		
7,181,886 B2	2/2007	Bourgoin et al.		
7,188,451 B2	3/2007	Marchildon et al.		
7,401,437 B2	7/2008	Dumont		
D590,183 S *	4/2009	Hensel	D6/457
D603,181 S *	11/2009	Carlington	D6/405
2002/0157308 A1 *	10/2002	Hanis	47/41.01
2005/0039397 A1	2/2005	Roy		
2006/0230674 A1	10/2006	Marchildon		

FOREIGN PATENT DOCUMENTS

CA	2297501	8/2001
JP	01247023	10/1989
JP	03191727	8/1991

* cited by examiner

Primary Examiner — Garth Rademaker

(74) *Attorney, Agent, or Firm* — Ogilvy Renault, LLP

(57) **CLAIM**

The ornamental design for a plant culture system, as shown and described.

(56) **References Cited**

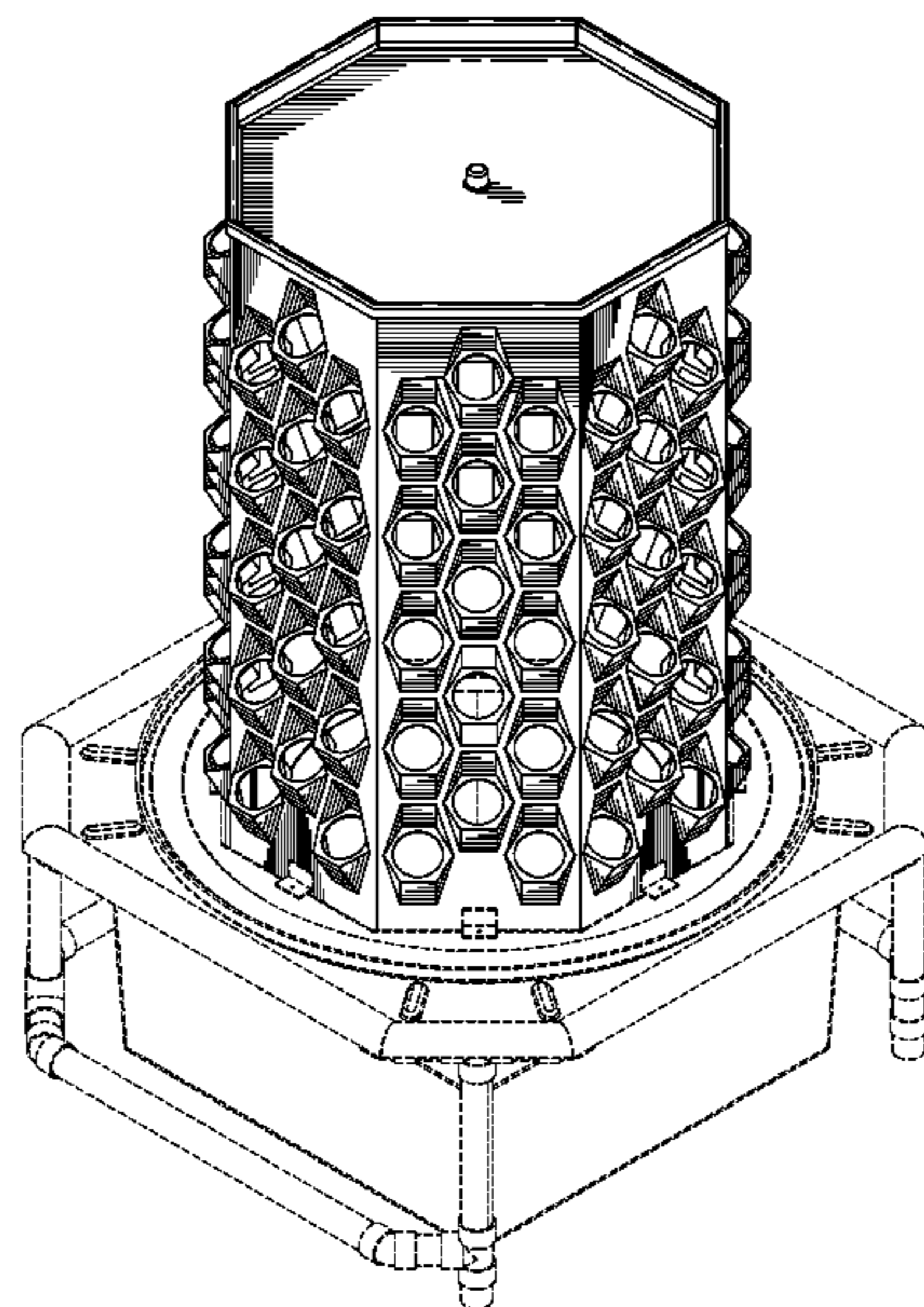
U.S. PATENT DOCUMENTS

165,456 A *	7/1875	Van Stone	47/41.11
4,075,785 A *	2/1978	Jones	47/64
4,123,873 A *	11/1978	Canova	D11/143
4,218,847 A	8/1980	Leroux		
4,355,484 A *	10/1982	Mandish	D11/143
4,704,818 A	11/1987	Cameron		
4,986,027 A	1/1991	Harvey		
D316,834 S *	5/1991	Mendenhall	D11/143
5,136,804 A	8/1992	Rothem et al.		
5,363,594 A	11/1994	Davis		
5,394,647 A	3/1995	Blackford, Jr.		
5,555,676 A	9/1996	Lund		
D426,399 S *	6/2000	Yi et al.	D6/405

DESCRIPTION

FIG. 1 is a perspective view of a plant culture system showing my new design; FIG. 2 is left side elevation view thereof, the right side elevation view being a mirror image thereof; FIG. 3 is a front elevation view thereof; FIG. 4 is a rear elevation view thereof; FIG. 5 is a top plan view thereof; and, FIG. 6 is a bottom plan view thereof. The broken lines depict environmental subject matter only and form no part of the claimed design.

1 Claim, 6 Drawing Sheets



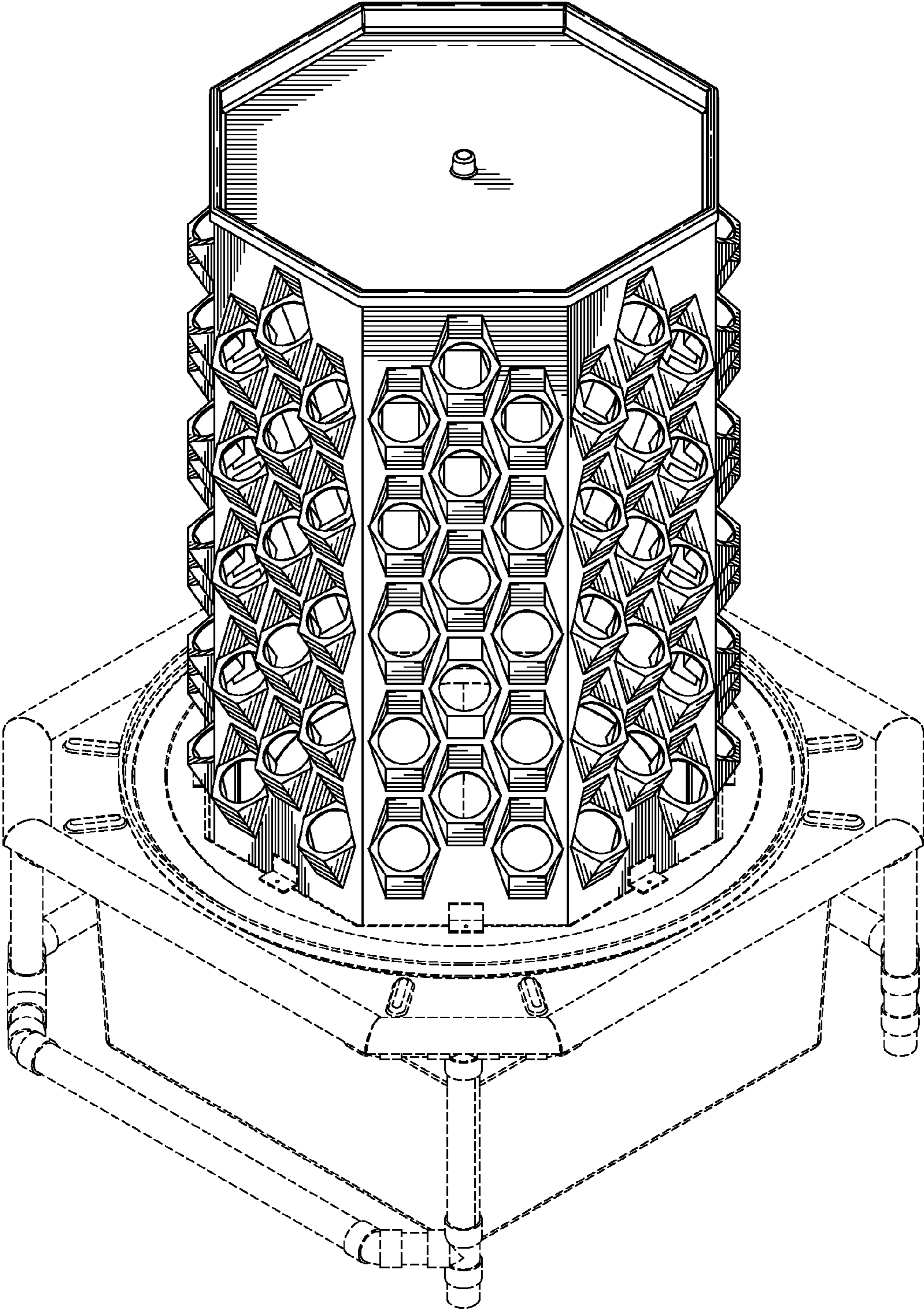


FIG. 1

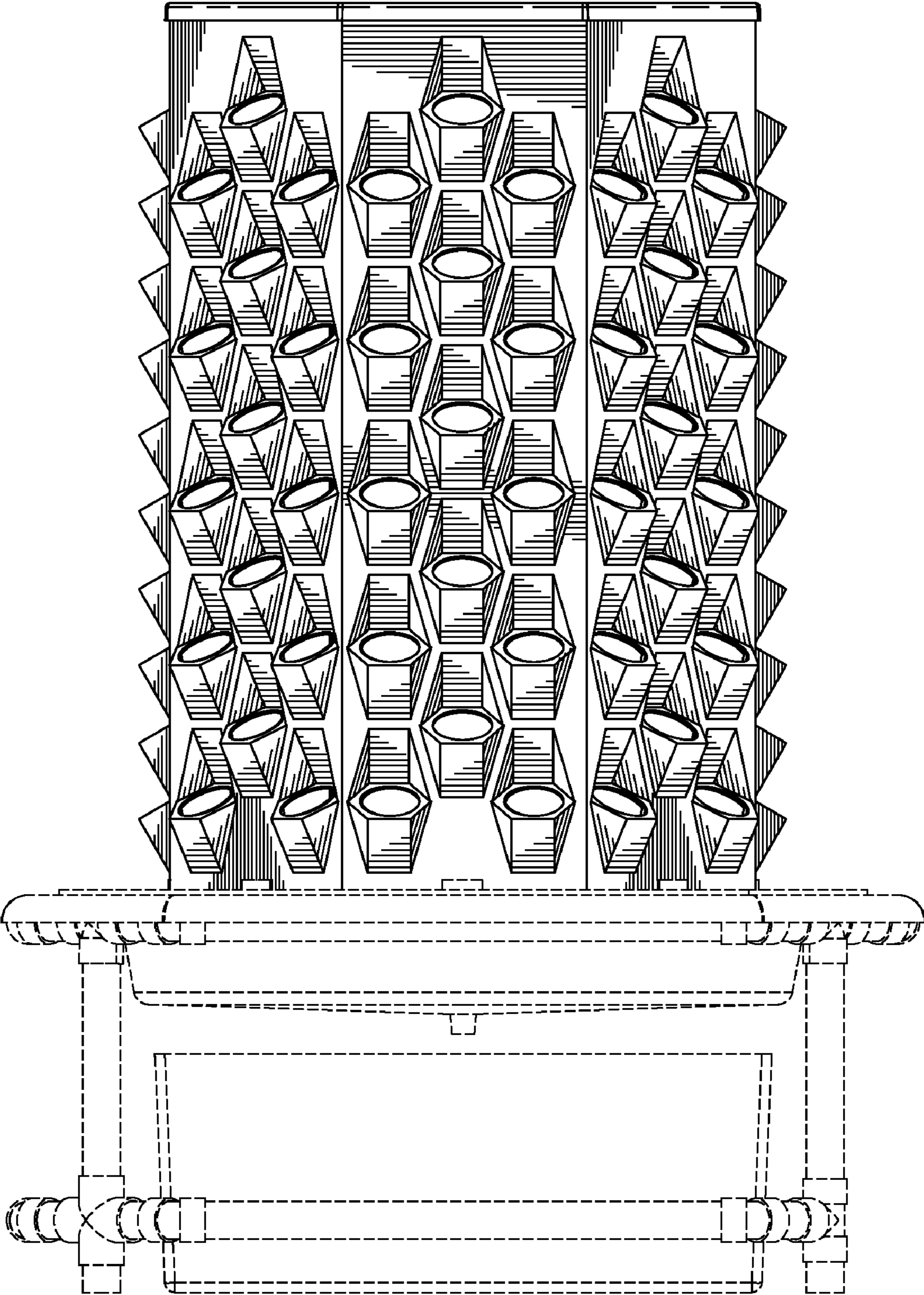


FIG. 2

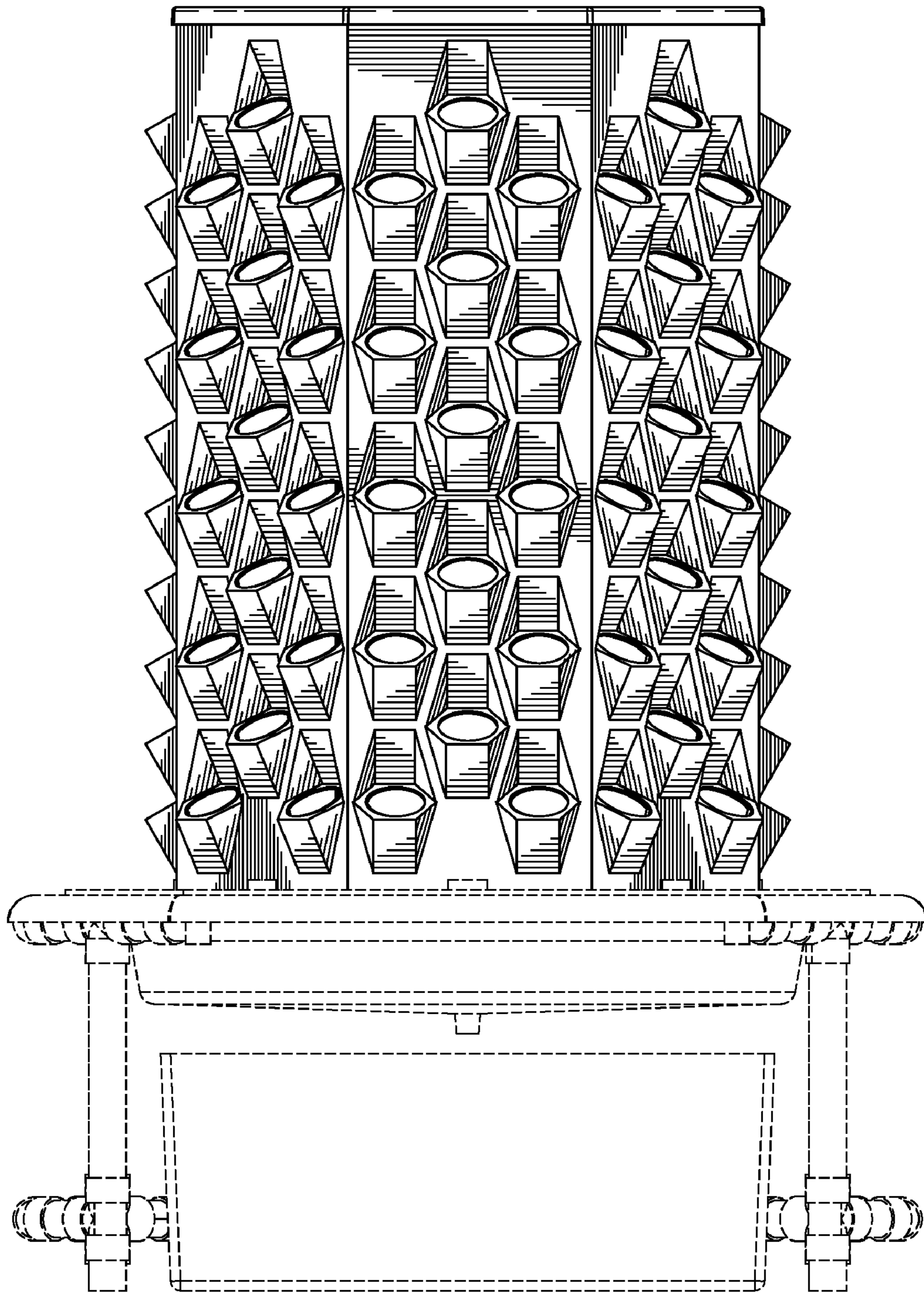


FIG. 3

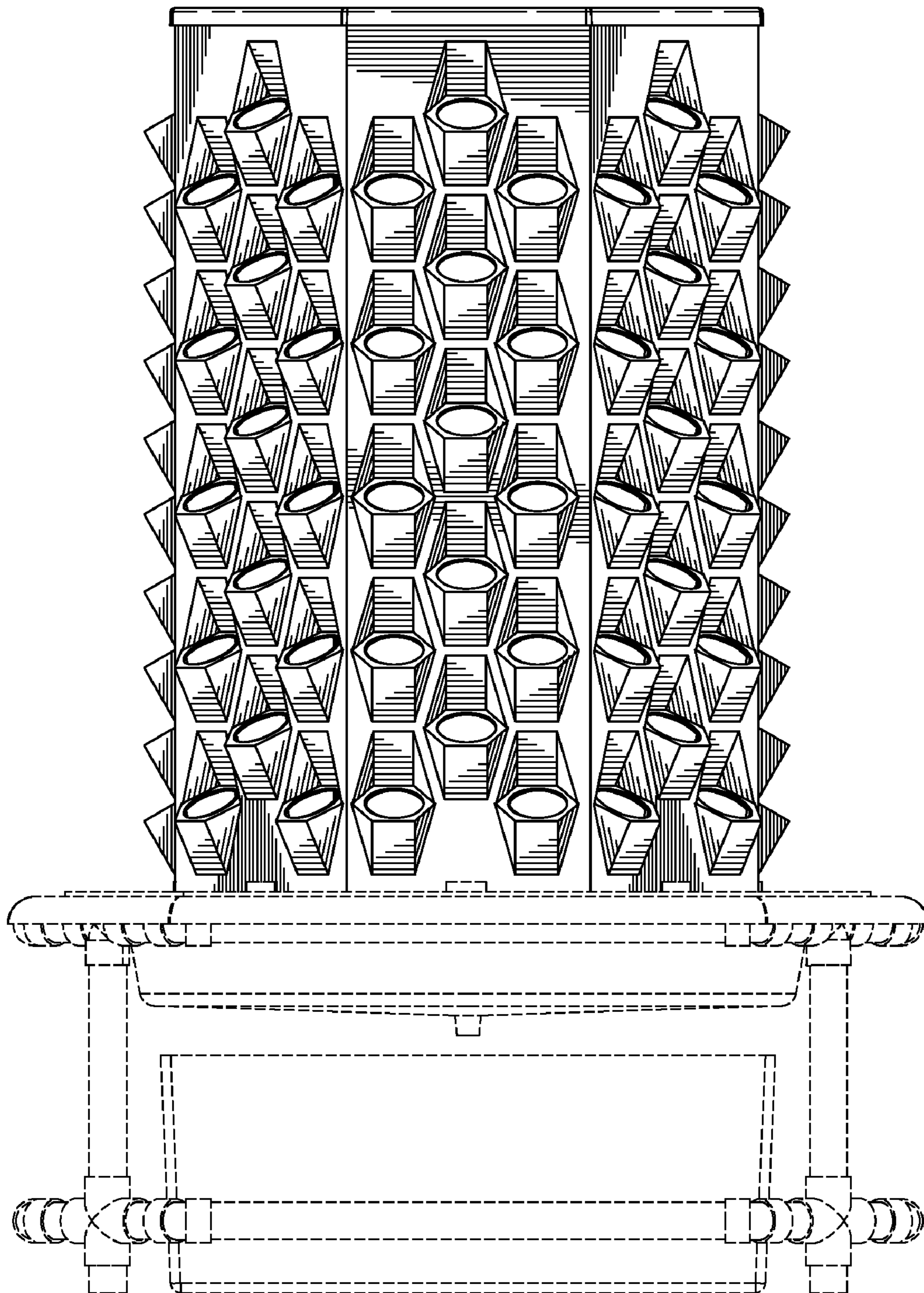


FIG. 4

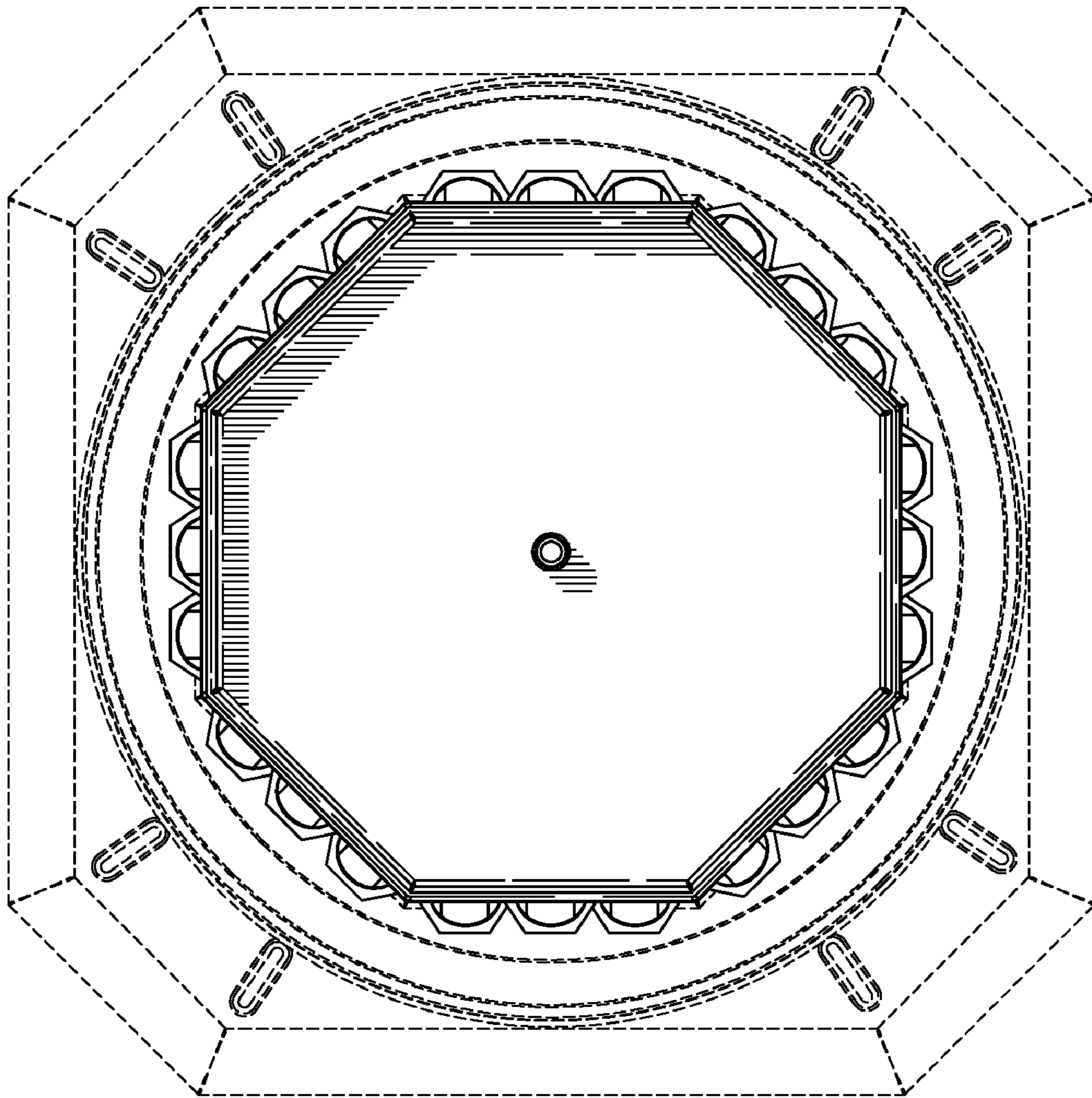


FIG. 5

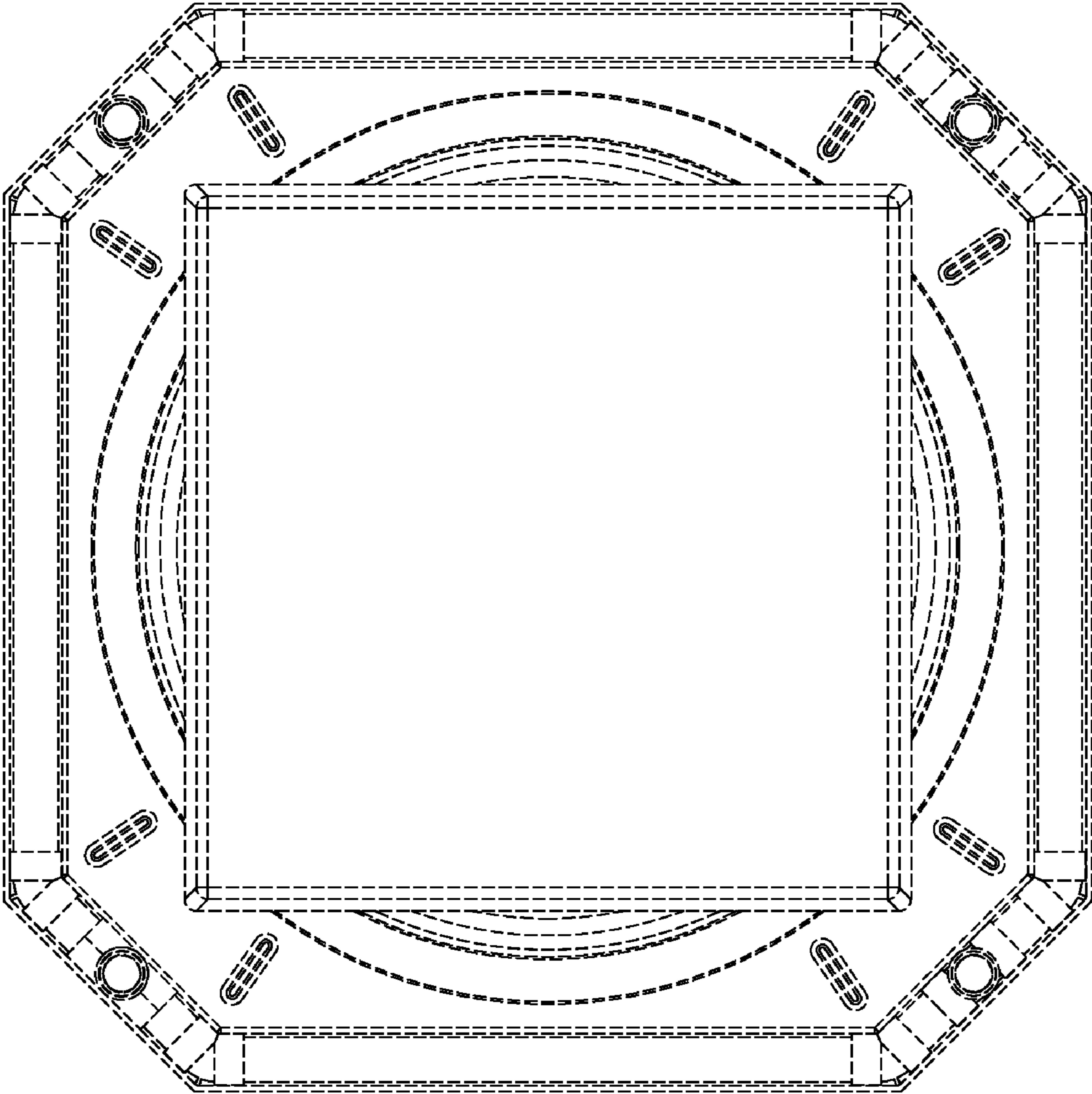


FIG. 6