



US00D638742S

(12) **United States Design Patent**  
**Purcell**

(10) **Patent No.:** **US D638,742 S**

(45) **Date of Patent:** **\*\* May 31, 2011**

(54) **WREATH CHRISTMAS TREE**

(76) Inventor: **Virginia Beth M. Purcell**, Greer, SC  
(US)

(\*\*) Term: **14 Years**

(21) Appl. No.: **29/354,137**

(22) Filed: **Jan. 20, 2010**

(51) **LOC (9) Cl.** ..... **11-04**

(52) **U.S. Cl.** ..... **D11/118; D11/120**

(58) **Field of Classification Search** ..... D11/117,  
D11/118, 119, 120, 121, 125, 130, 131, 132,  
D11/133, 157; 428/7-10, 17, 18, 19, 20  
See application file for complete search history.

(56) **References Cited**

U.S. PATENT DOCUMENTS

835,445	A *	11/1906	Leonard	428/7
2,731,752	A *	1/1956	Erickson et al.	362/123
2,919,810	A *	1/1960	Pease	211/26
3,064,379	A *	11/1962	Hertzberg	428/7
3,085,774	A *	4/1963	Di Jenno	248/512
D200,052	S *	1/1965	Haas	D11/118
D206,591	S *	1/1967	Rico	D11/120
3,674,612	A *	7/1972	Gehl	428/7
3,676,275	A *	7/1972	Sloane	428/9
3,746,601	A *	7/1973	Stroney	428/18
D269,771	S *	7/1983	Williams	D11/118
4,746,022	A *	5/1988	Benham	211/195
D315,322	S *	3/1991	Guberman	D11/120
D347,598	S *	6/1994	Maddox, Jr.	D11/118
5,336,536	A *	8/1994	Oberzan	428/8
D406,077	S *	2/1999	Cox et al.	D11/118

D418,777	S *	1/2000	Koo	D11/120
6,048,590	A *	4/2000	Phillips	428/9
D442,115	S *	5/2001	Tsang	D11/118
6,228,443	B1 *	5/2001	Ditto et al.	428/18
D476,594	S *	7/2003	Preuss	D11/118
D478,021	S *	8/2003	Duncan et al.	D11/118
D578,034	S *	10/2008	Yip	D11/118
7,445,823	B2 *	11/2008	Tennison	428/20
D612,286	S *	3/2010	Palmer et al.	D11/118
2005/0048226	A1 *	3/2005	Gary et al.	428/18

\* cited by examiner

*Primary Examiner* — Stella M Reid

*Assistant Examiner* — Elizabeth J Oswecki

(74) *Attorney, Agent, or Firm* — QuickPatents, Inc.; Kevin Prince

(57) **CLAIM**

The ornamental design for a wreath Christmas tree, as shown and described.

**DESCRIPTION**

FIG. 1 is a perspective view of a wreath Christmas tree showing my new design;

FIG. 2 is an exploded perspective view thereof, with the wreaths, support poles, and wires shown separately for ease of illustration;

FIG. 3 is a front elevational view thereof, the rear elevational view being a mirror image thereof;

FIG. 4 is a left-side elevational view thereof, the right-side elevational view being a mirror image thereof;

FIG. 5 is a top plan view thereof; and,

FIG. 6 is a bottom plan view thereof.

**1 Claim, 5 Drawing Sheets**

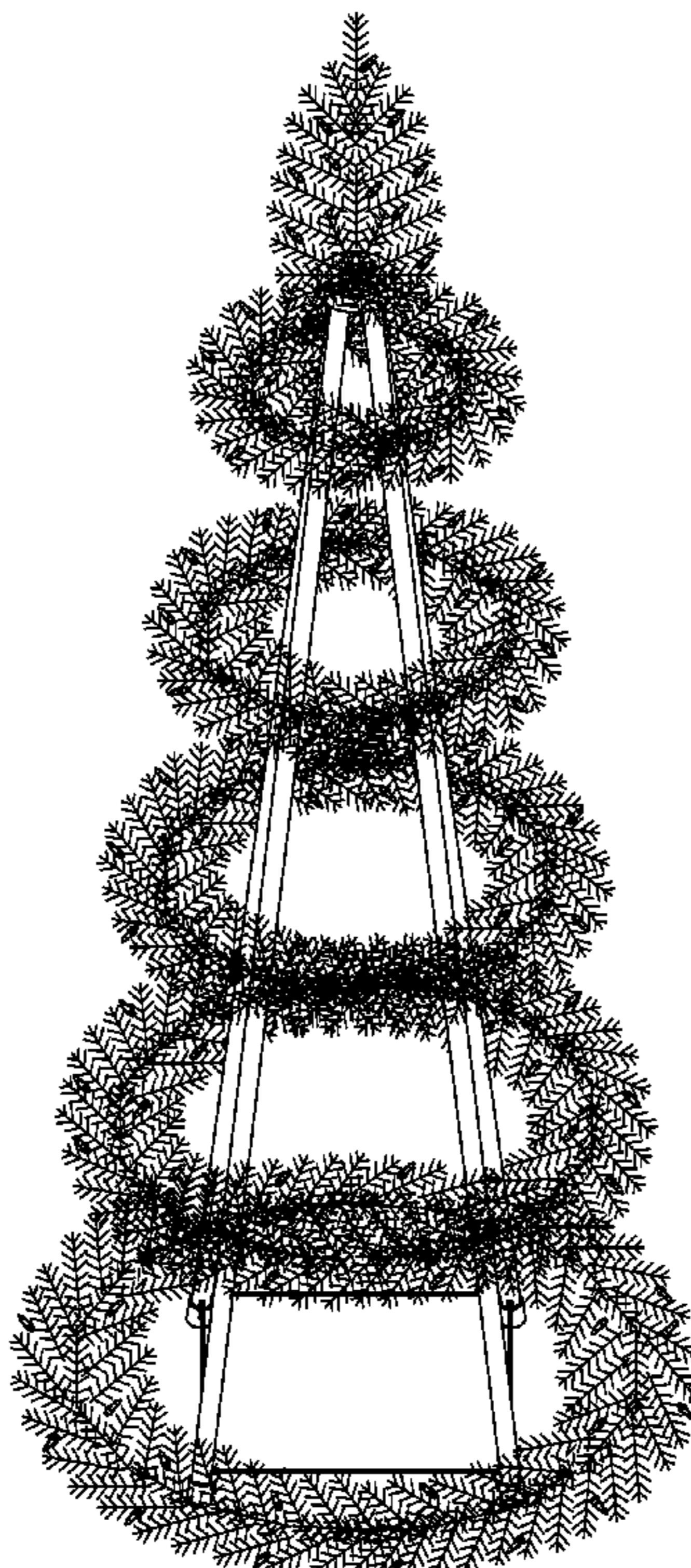
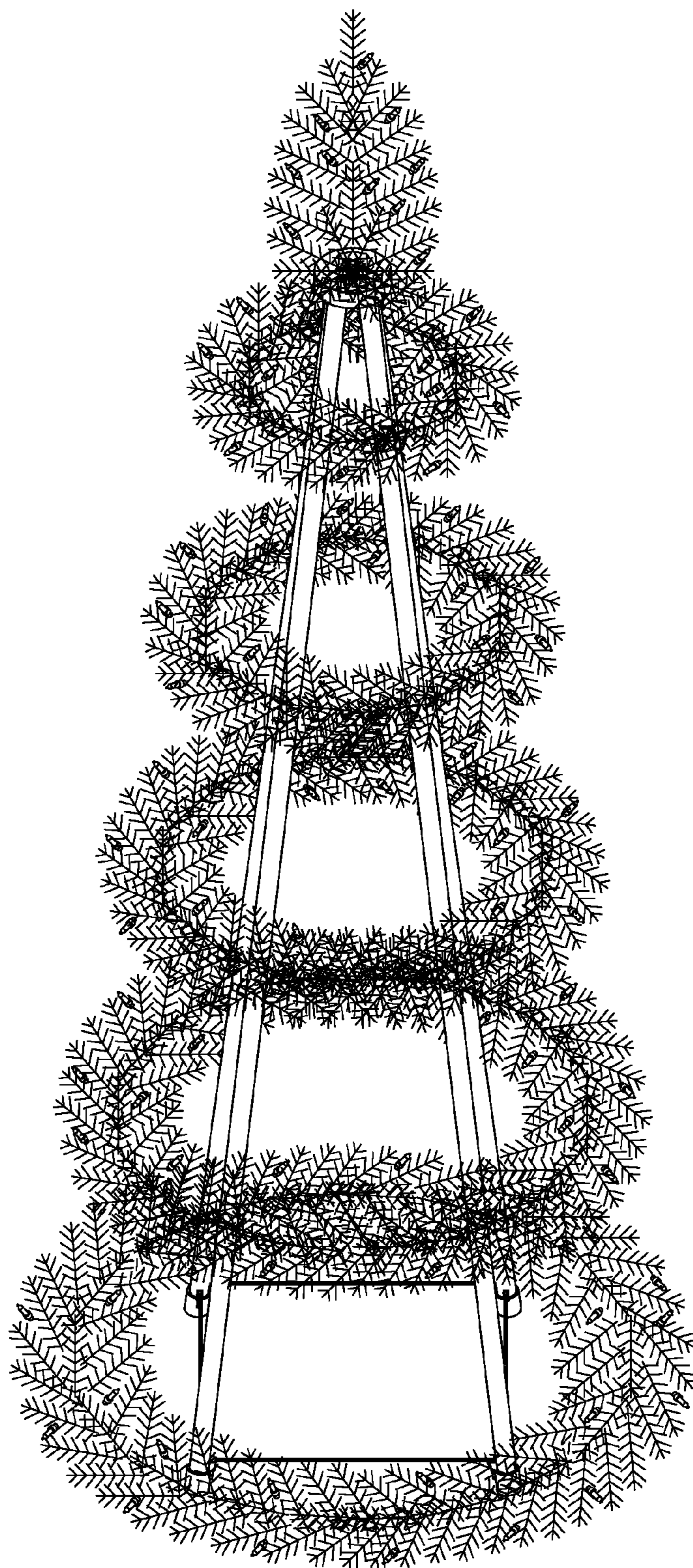


FIG. 1



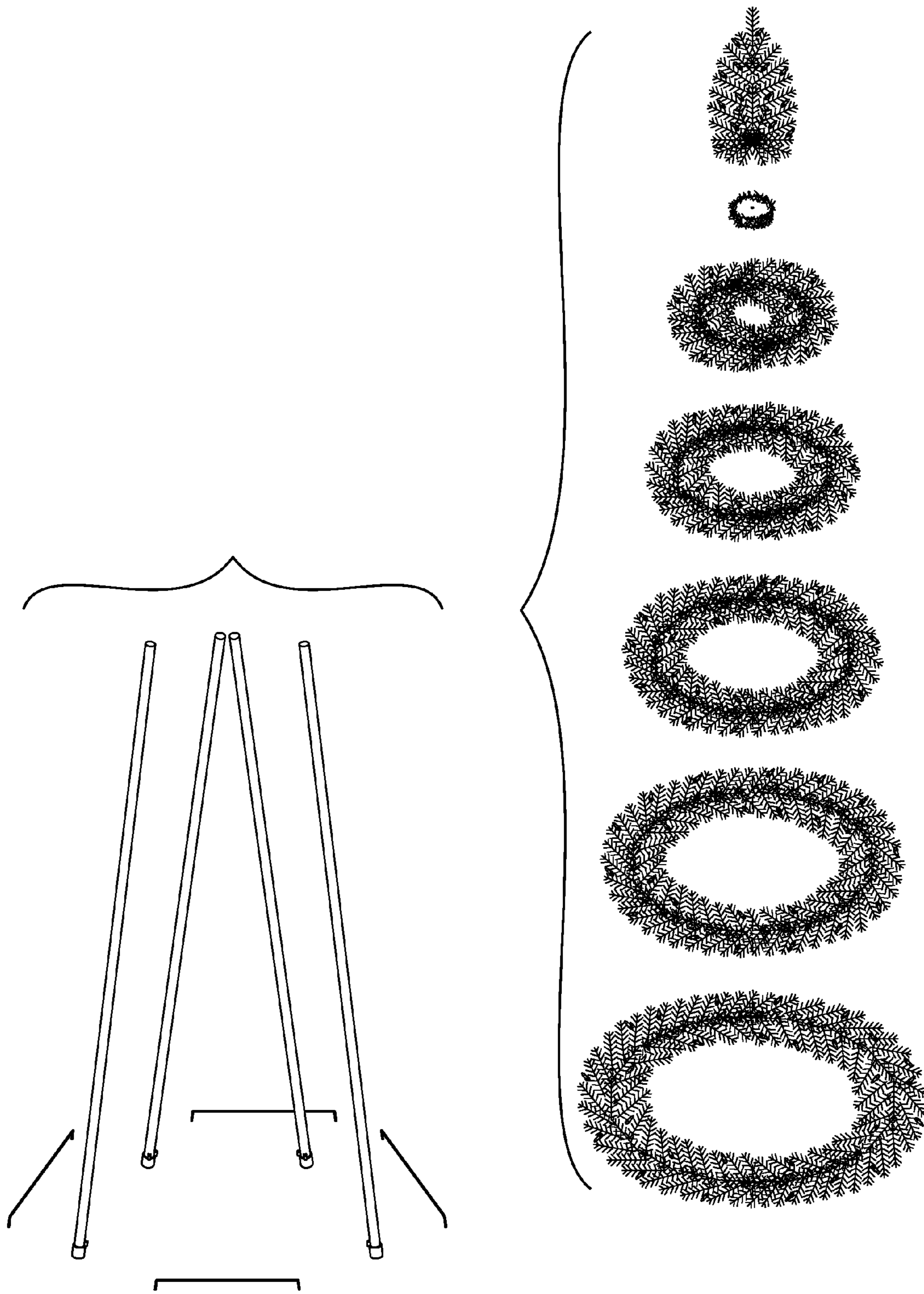


FIG. 2

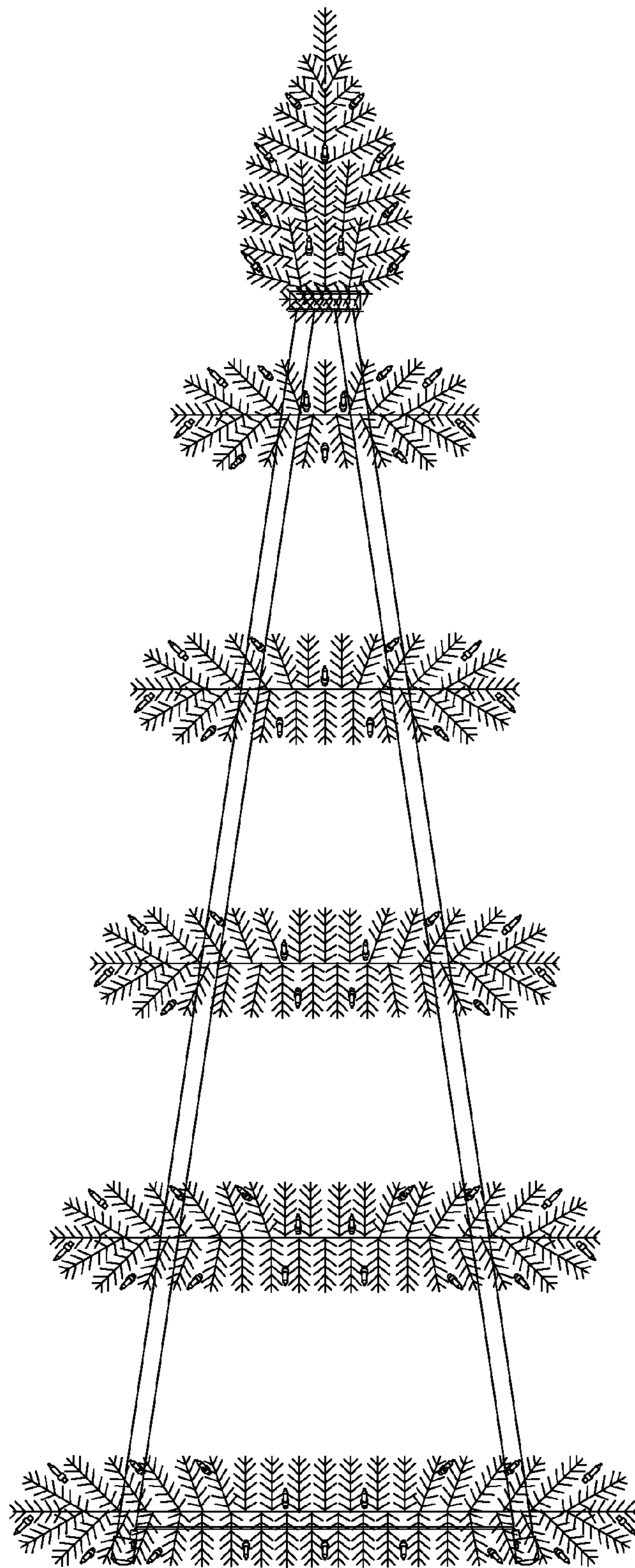


FIG. 3

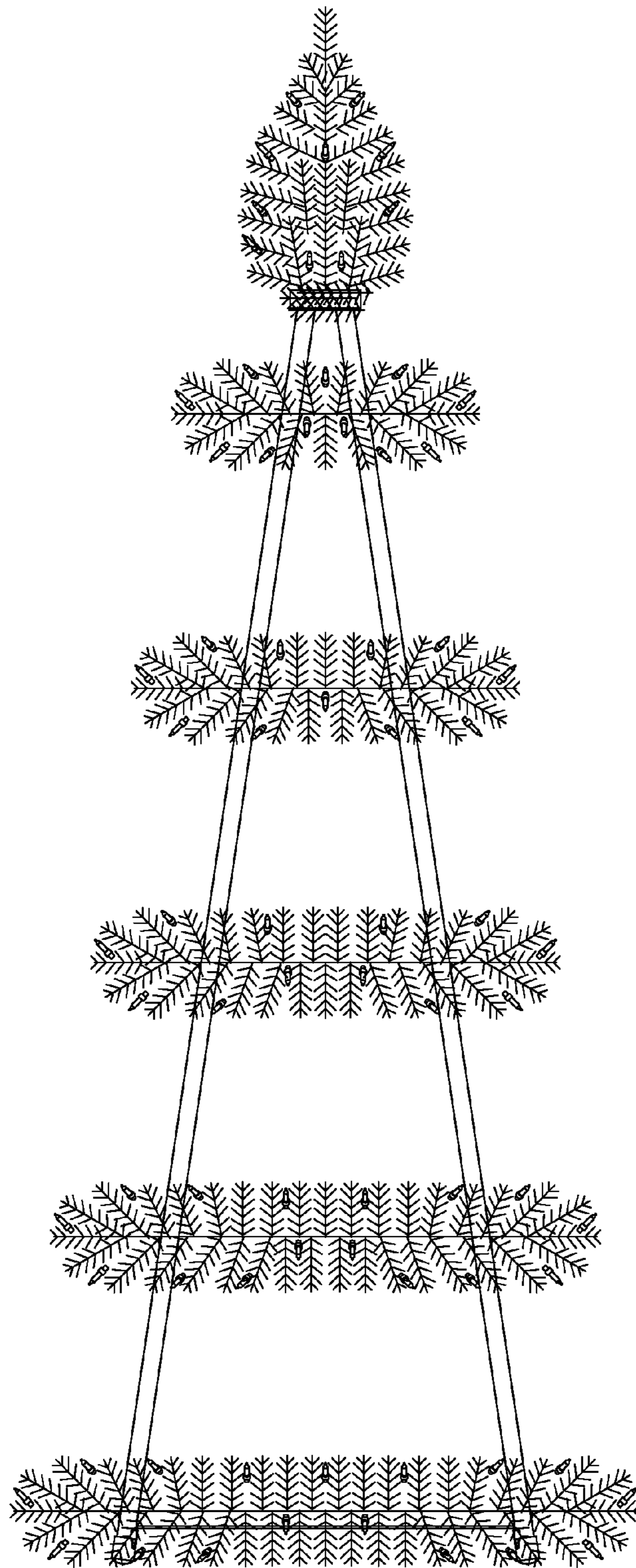


FIG. 4

FIG. 5

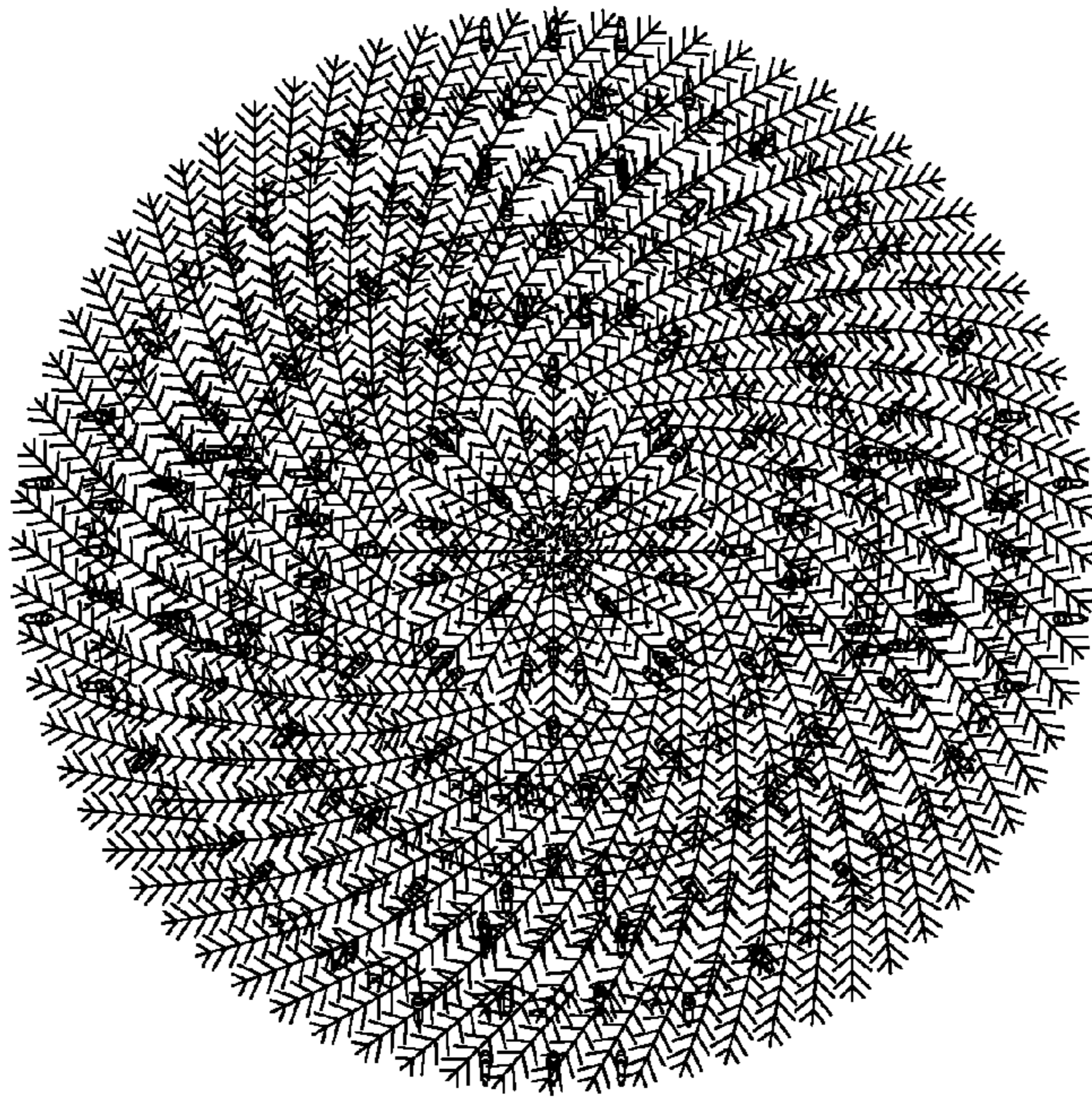


FIG. 6

