



US00D638739S

(12) **United States Design Patent**
Rockefeller

(10) **Patent No.:** **US D638,739 S**

(45) **Date of Patent:** **** May 31, 2011**

(54) **JEWELRY**

(75) Inventor: **Susan Cohn Rockefeller**, New York City, NY (US)

(73) Assignee: **Nature Rocks, LLC**, New York, NY (US)

(**) Term: **14 Years**

(21) Appl. No.: **29/363,461**

(22) Filed: **Jun. 9, 2010**

(51) **LOC (9) Cl.** **11-02**

(52) **U.S. Cl.** **D11/79; D11/1**

(58) **Field of Classification Search** D11/1,
D11/2, 40, 41, 42, 79-86, 95, 96, 97, 98,
D11/99, 103, 110, 116; 63/12, 13, 14.1,
63/3, 18; D3/207, 208, 203.1-203.5, 206,
D3/227; D24/104, 214; D9/695, 711, 500,
D9/414, 424, 426, 428, 418, 558; 220/4.21,
220/4.24, 4.25

See application file for complete search history.

(56) **References Cited**

U.S. PATENT DOCUMENTS

2,826,297	A *	3/1958	Hein, Jr.	206/572
3,258,115	A *	6/1966	Kath	206/530
D231,616	S *	5/1974	Hiltebrant et al.	D24/224
D258,874	S *	4/1981	Hocq	D11/79
D261,105	S *	10/1981	Schwartz	D9/504
D272,945	S *	3/1984	Suhel et al.	D24/214
D284,411	S *	6/1986	Taylor, Jr.	D24/104
4,744,461	A *	5/1988	Lapham	206/5
D305,006	S *	12/1989	Nunes	D11/81
D349,238	S *	8/1994	Haber	D3/203.2
D361,507	S *	8/1995	Langemann	D3/201

5,769,267	A *	6/1998	Duynslager et al.	220/691
D468,659	S *	1/2003	Rauber	D11/81
D514,012	S *	1/2006	Phlippeau et al.	D11/79
D516,454	S *	3/2006	Gimpel	D11/79
D570,724	S *	6/2008	Kittelsen	D11/80
D586,253	S *	2/2009	Forster, Jr.	D11/80
D592,313	S *	5/2009	Levine	D24/214
D594,332	S *	6/2009	Nerubay	D9/501
7,577,476	B2 *	8/2009	Hochman et al.	600/546
D601,399	S *	10/2009	Chen	D8/83

* cited by examiner

Primary Examiner — Cathron C Brooks

Assistant Examiner — Melanie Levy

(74) *Attorney, Agent, or Firm* — Oblon, Spivak, McClelland, Maier & Neustadt, L.L.P.

(57) **CLAIM**

The ornamental design for jewelry, as shown and described.

DESCRIPTION

FIG. 1 is a rear, top, and right side exploded perspective view of jewelry;

FIG. 2 is a front, top, and right side perspective view thereof in a closed position;

FIG. 3 is a front elevational view thereof;

FIG. 4 is a rear elevational view thereof;

FIG. 5 is a right side elevational view thereof;

FIG. 6 is a left side elevational view thereof;

FIG. 7 is a top plan view thereof;

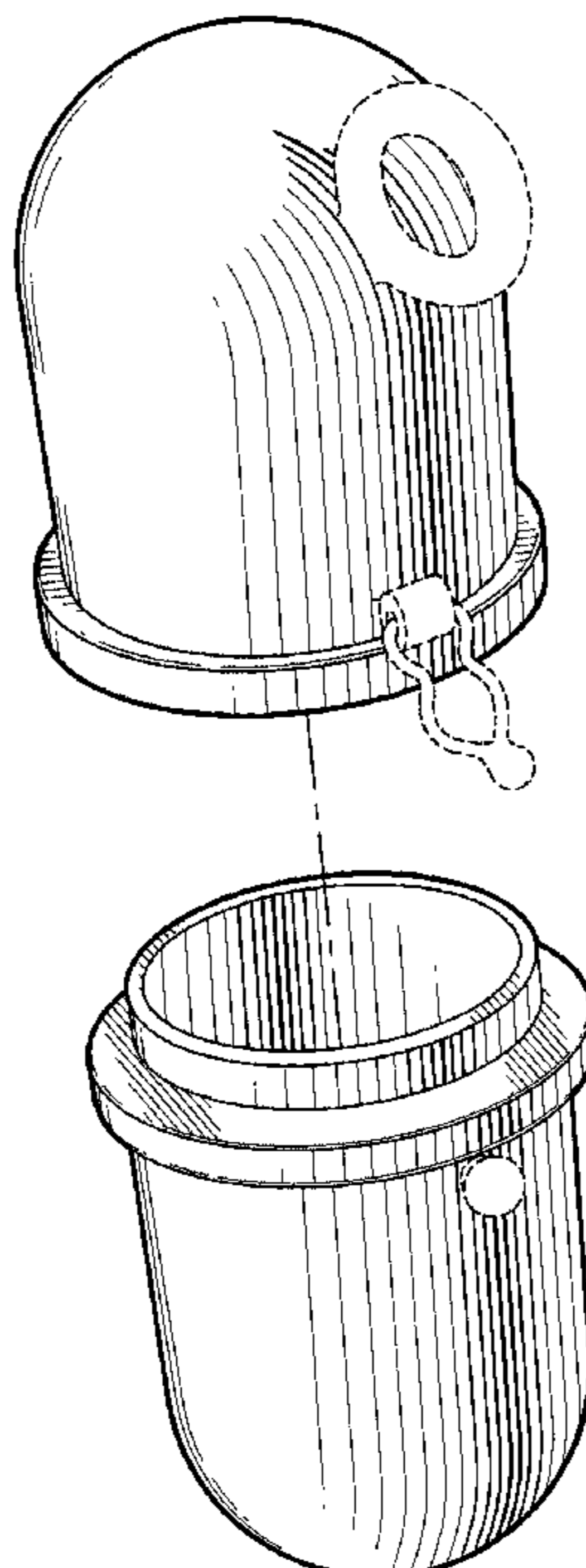
FIG. 8 is a bottom plan view thereof;

FIG. 9 is a bottom plan view of a top part thereof; and,

FIG. 10 is a top plan view of a bottom part thereof.

The broken lines in the drawings depict environmental subject matter only and form no part of the claimed design.

1 Claim, 10 Drawing Sheets



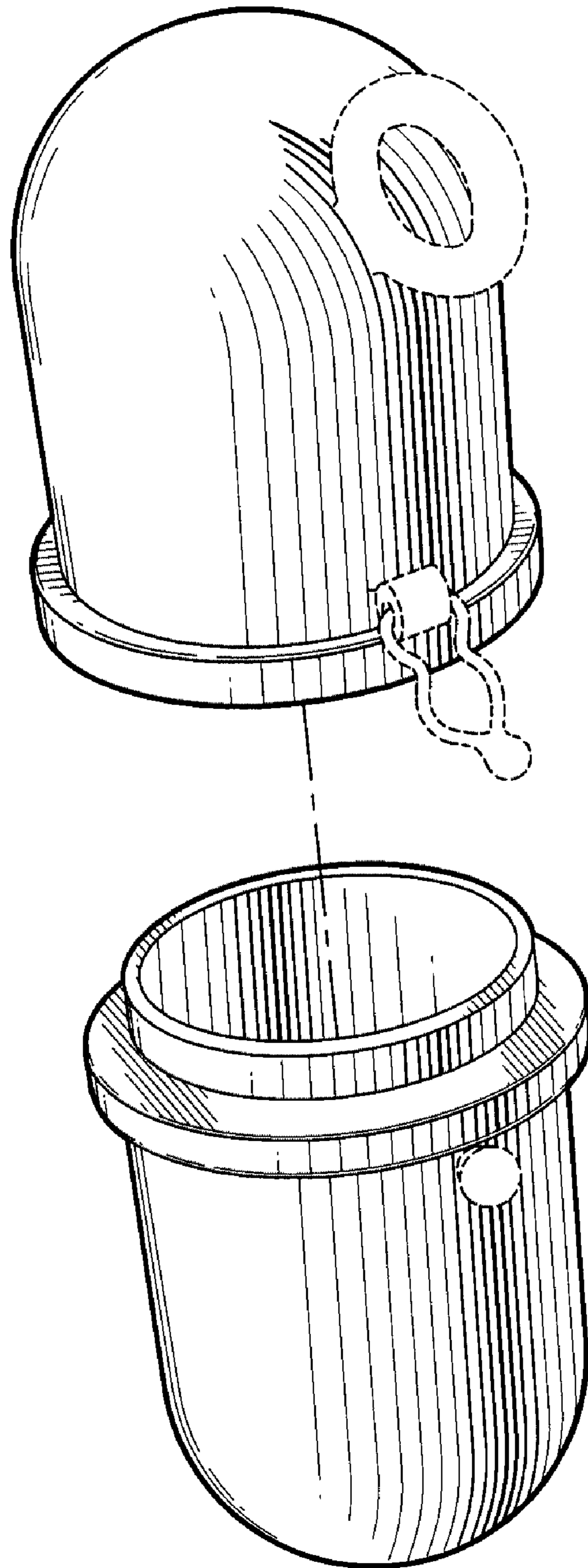


Fig. 1

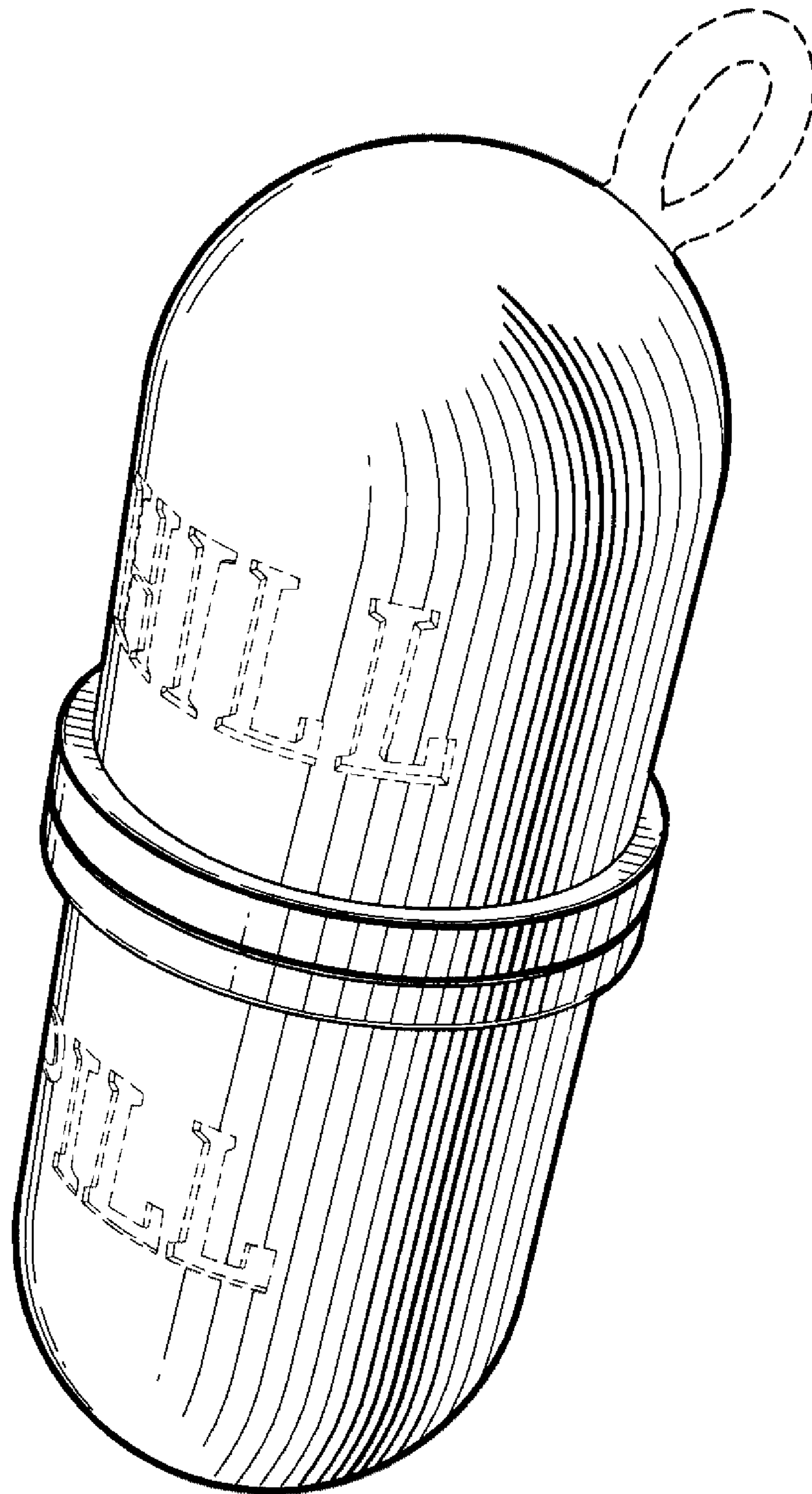


Fig. 2

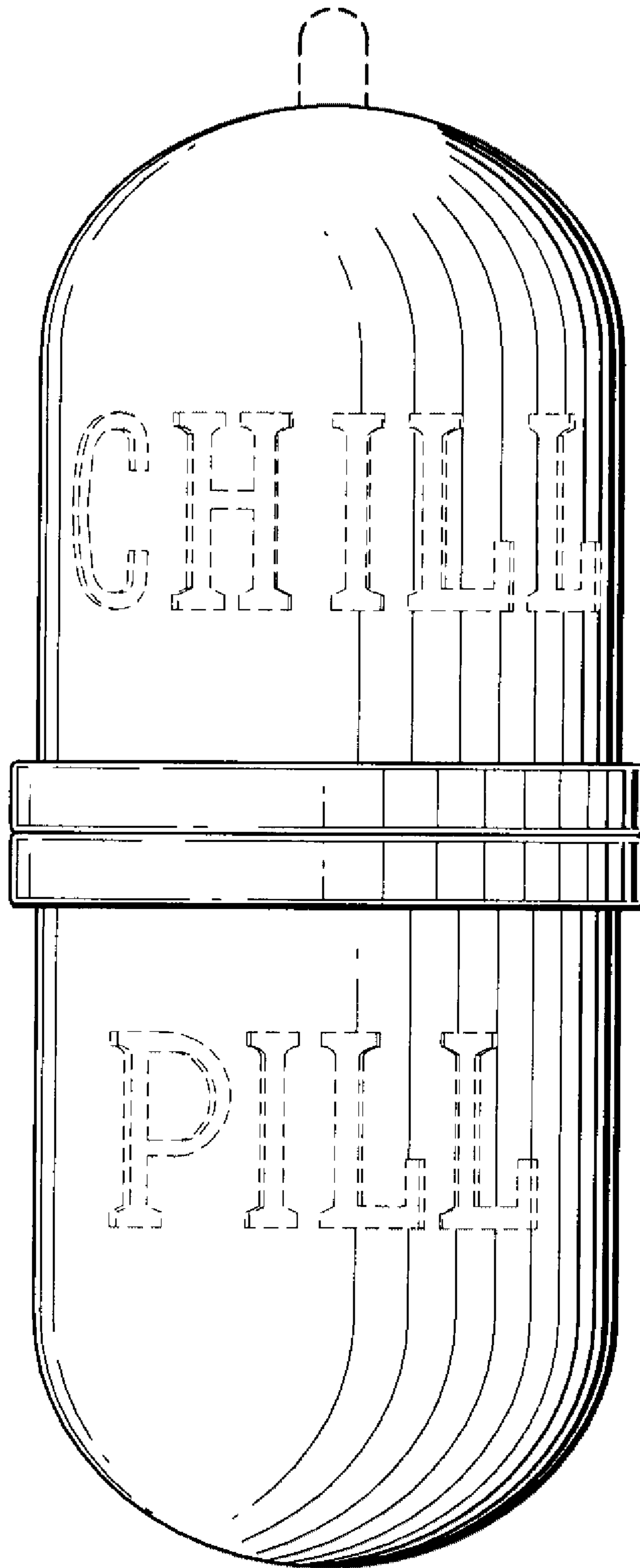


Fig. 3

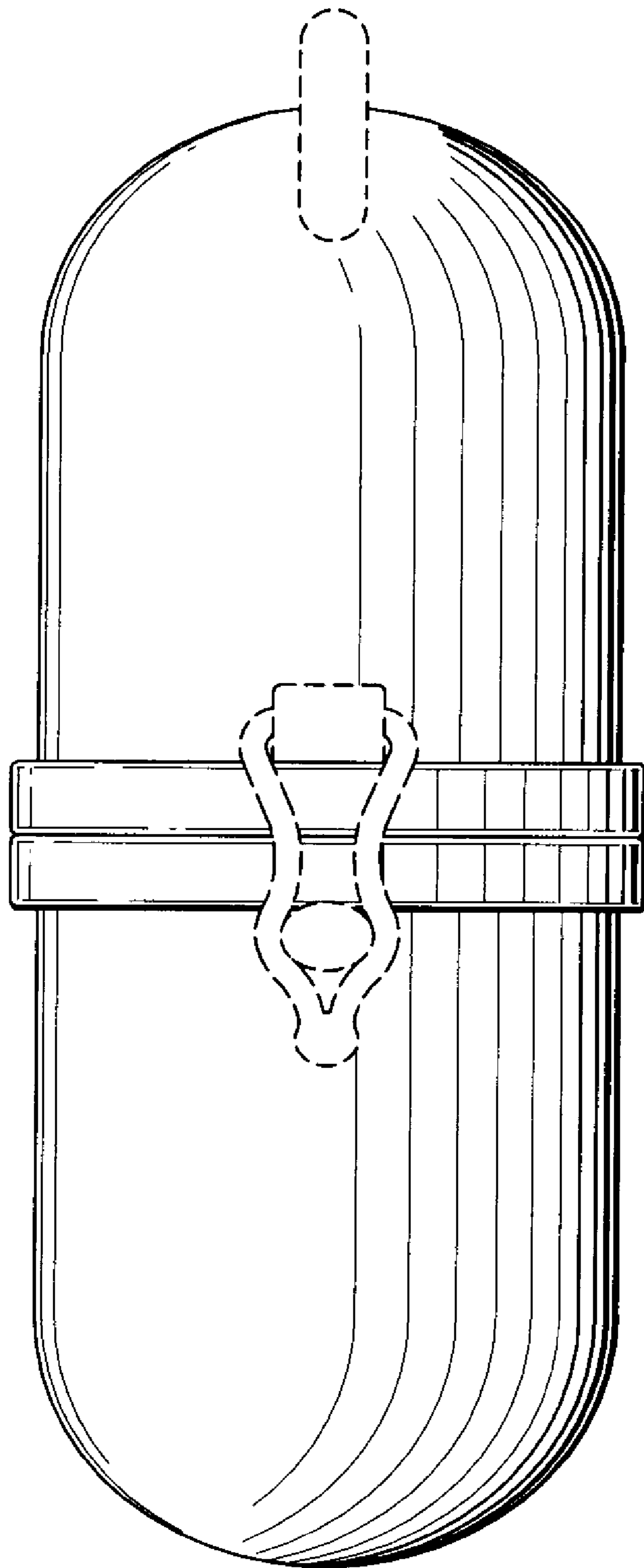


Fig. 4

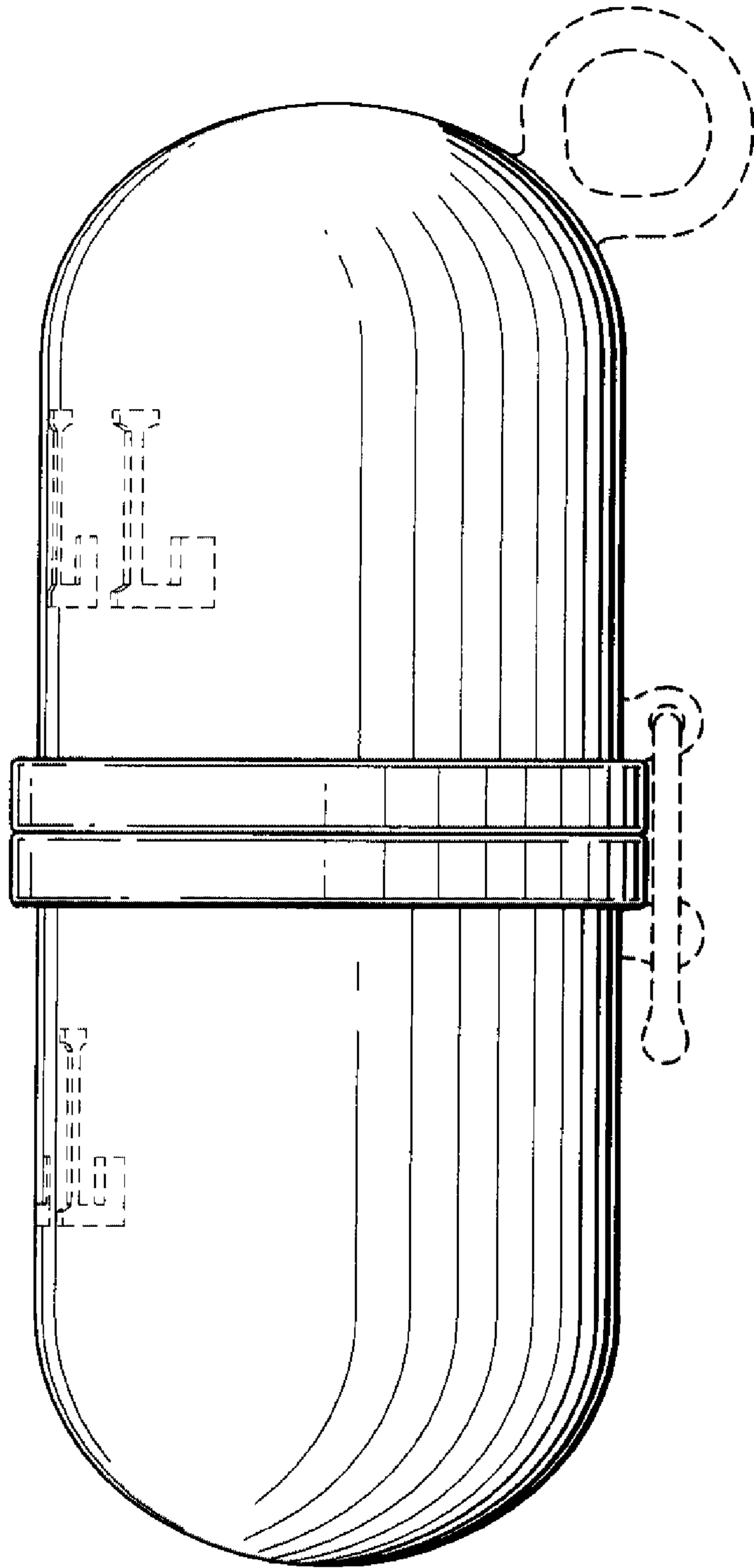


Fig. 5

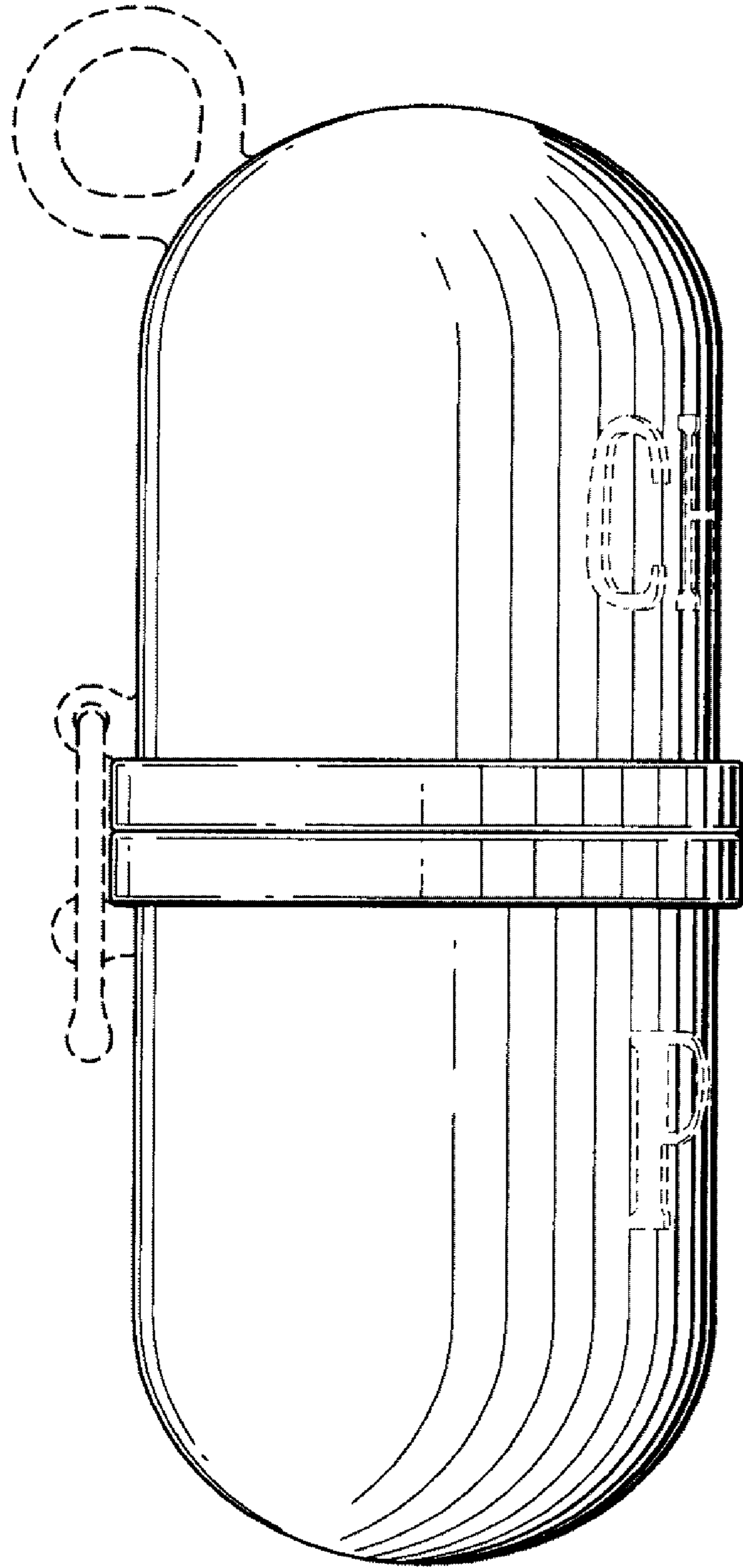


Fig. 6

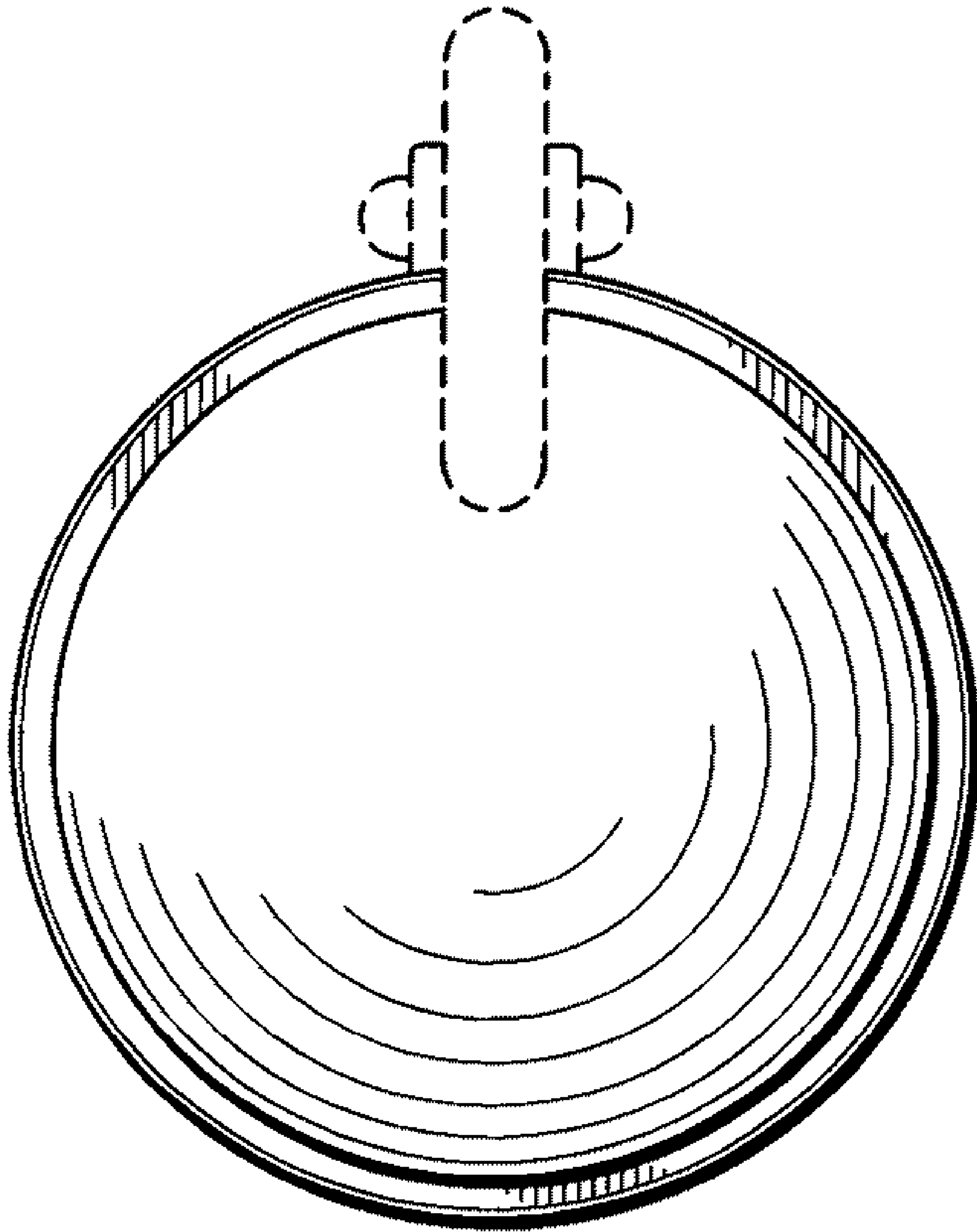


Fig. 7

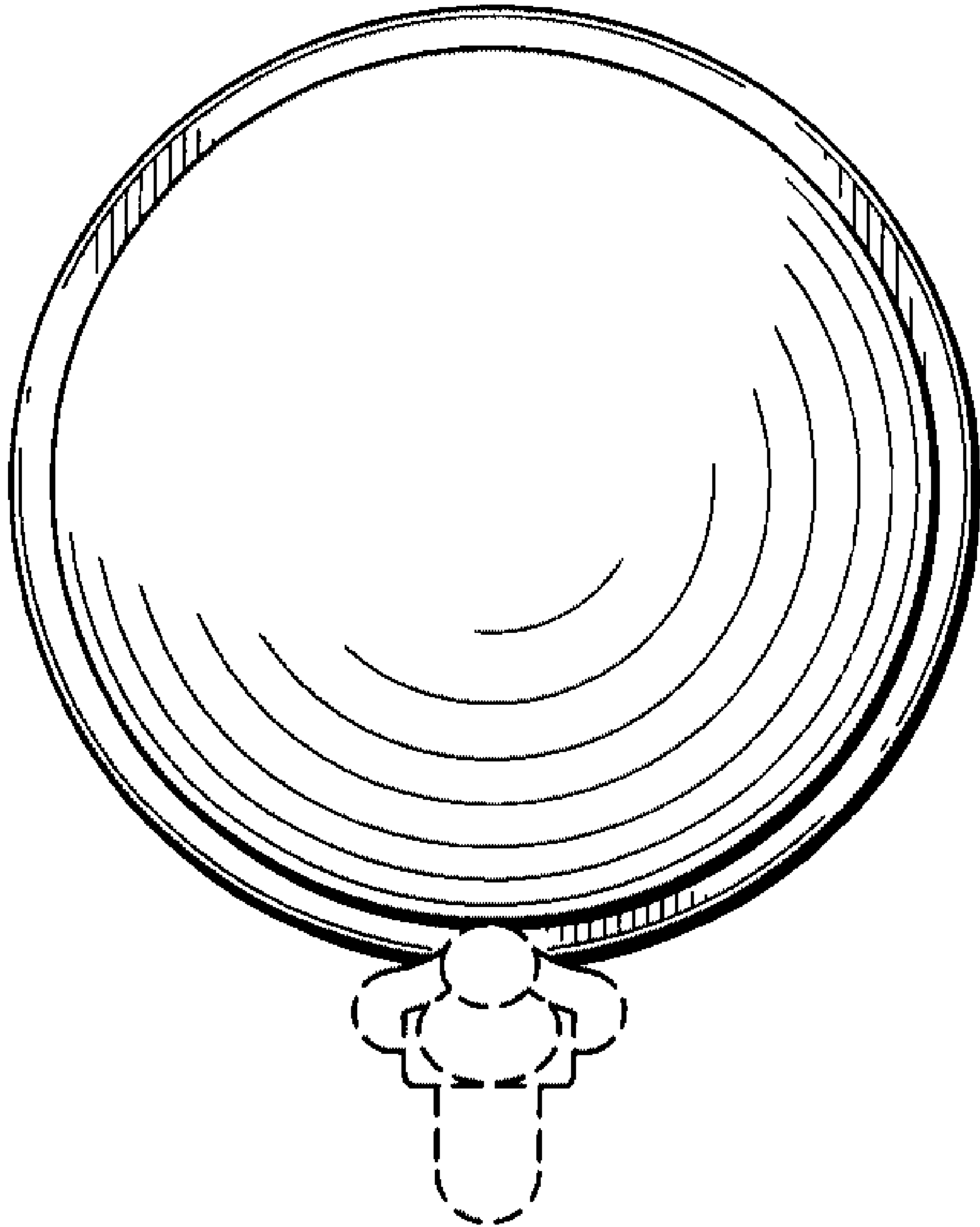


Fig. 8

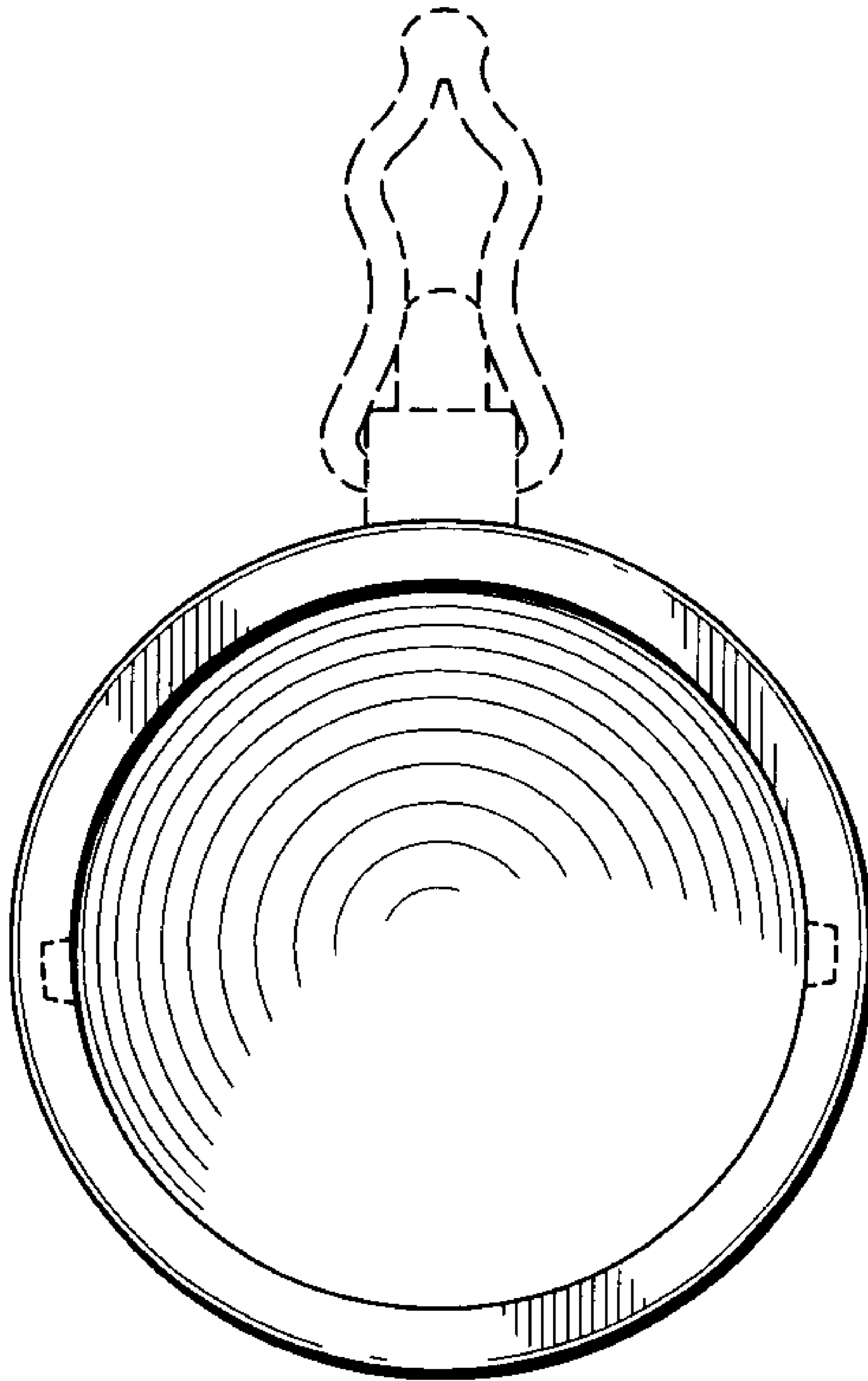


Fig. 9

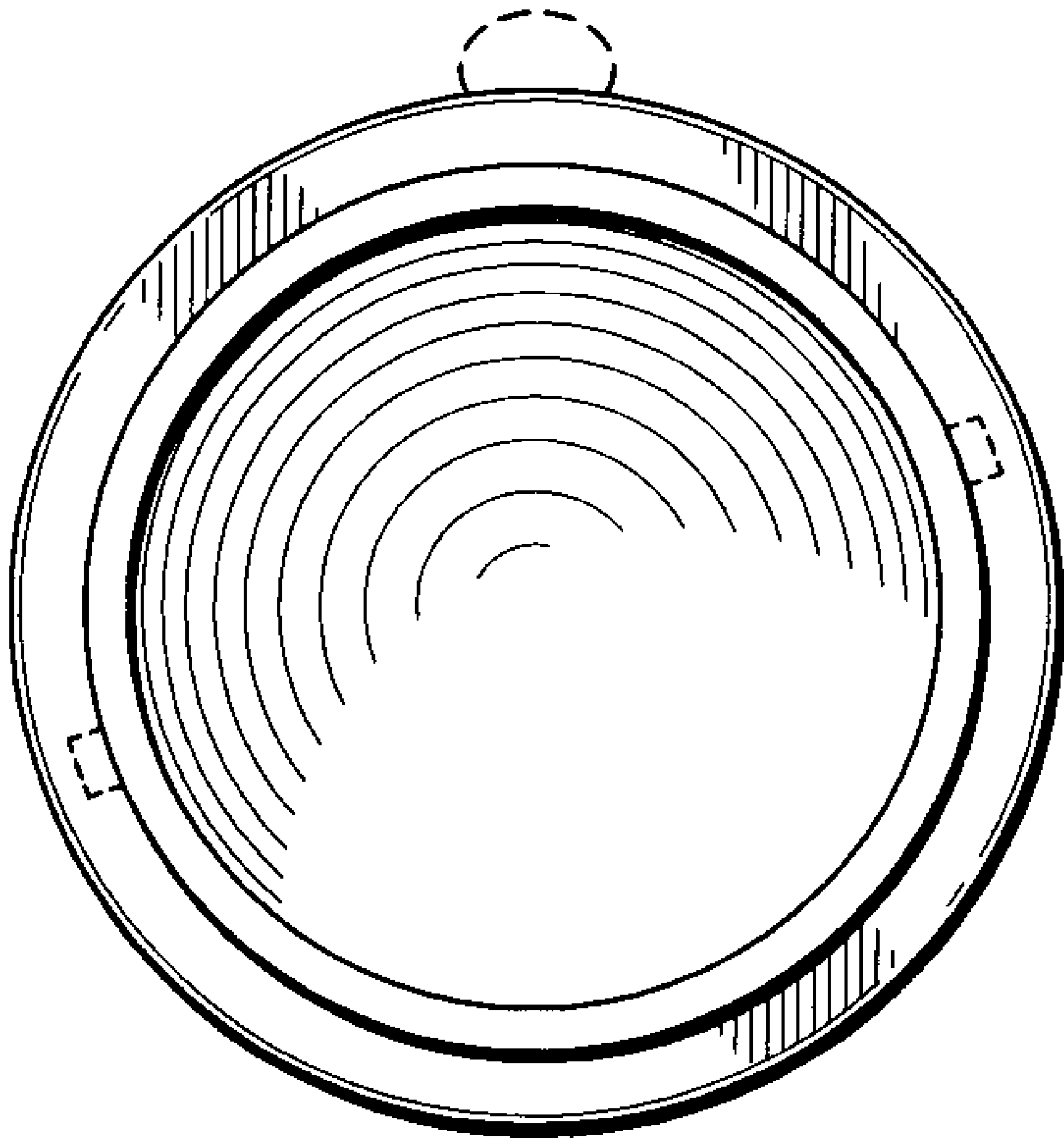


Fig. 10