



US00D638735S

(12) **United States Design Patent**
Conway, Jr.

(10) **Patent No.:** **US D638,735 S**

(45) **Date of Patent:** **** May 31, 2011**

(54) **BEAD**

(75) **Inventor:** **W. Frederick Conway, Jr.**, New Albany,
IN (US)

(73) **Assignee:** **Squire Boone Caverns, Inc.**, New
Albany, IN (US)

(**) **Term:** **14 Years**

(21) **Appl. No.:** **29/377,123**

(22) **Filed:** **Oct. 18, 2010**

(51) **LOC (9) Cl.** **11-01**

(52) **U.S. Cl.** **D11/1; D11/79**

(58) **Field of Classification Search** D11/1,
D11/2, 3, 4, 5, 6, 7, 40, 43, 52, 53, 54, 55,
D11/79-87, 95-103, 110, 116; 63/37, 12,
63/13, 14.1, 14.2, 15; D21/779, 797, 713;
D32/29.1, 25; D3/207

See application file for complete search history.

(56) **References Cited**

U.S. PATENT DOCUMENTS

D233,463 S * 10/1974 Harold D11/90
D299,733 S * 2/1989 Taminich D21/779

5,297,981 A * 3/1994 Maxim et al. 446/437
D393,671 S * 4/1998 Honaker D21/707
D431,848 S * 10/2000 Hubbard D21/713
D516,261 S * 2/2006 Roberts D32/25
D551,307 S * 9/2007 Chernick et al. D21/707
D568,424 S * 5/2008 Nelson et al. D21/707
D583,519 S * 12/2008 Roberts D32/29.1
2006/0084355 A1 * 4/2006 Wong et al. 446/71

* cited by examiner

Primary Examiner — Cathron C Brooks

Assistant Examiner — Melanie Levy

(74) *Attorney, Agent, or Firm* — Berenato & White, LLC

(57) **CLAIM**

I claim, the ornamental design for a bead, as shown and described.

DESCRIPTION

FIG. 1 is a perspective view of a bead according to my design; FIG. 2 is a side elevational view of the bead shown in FIG. 1 with the opposite side being a mirror image thereof; and, FIG. 3 is an end elevational view of the bead shown in FIG. 1 with the opposite end being a mirror image thereof.

1 Claim, 1 Drawing Sheet

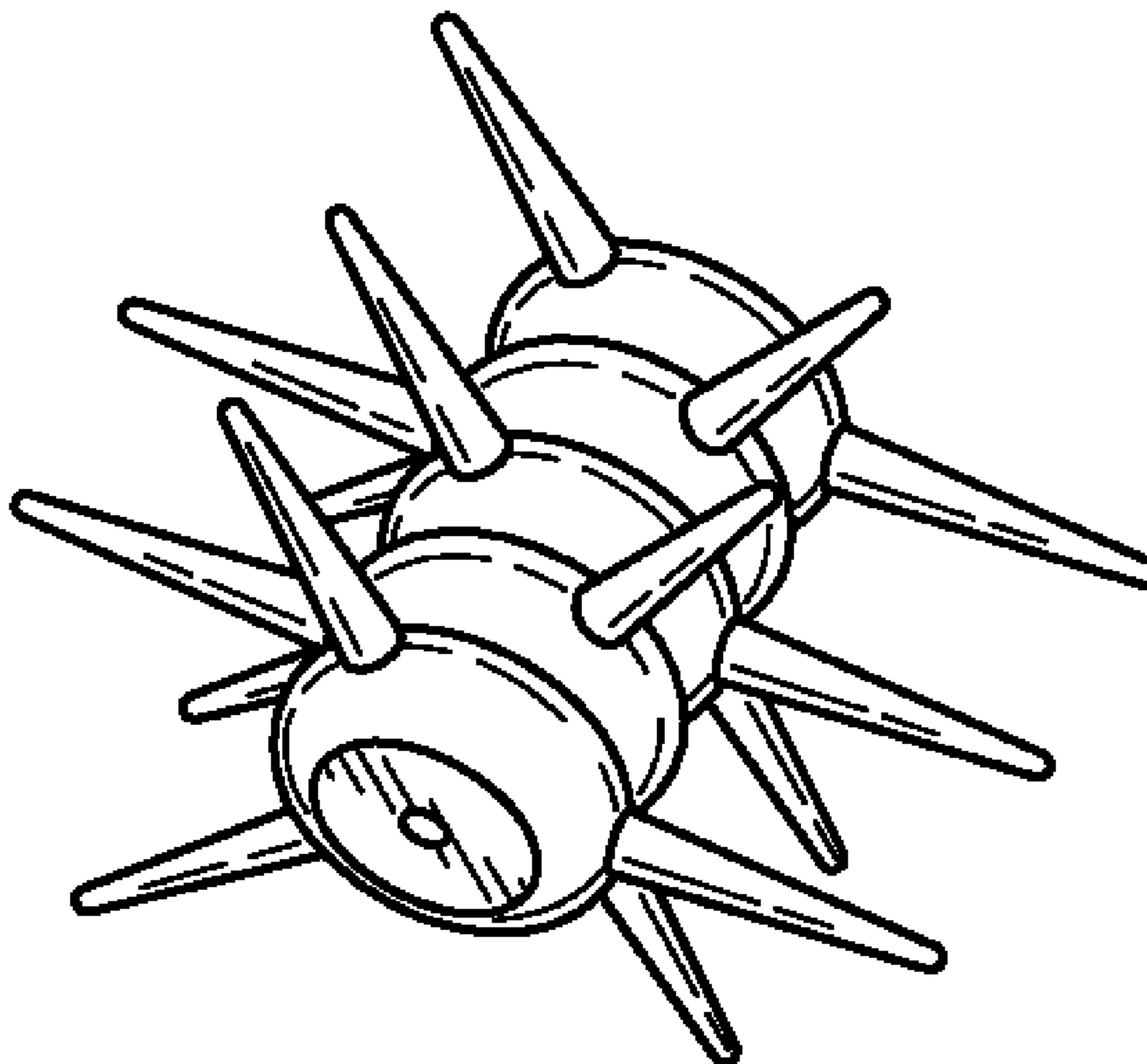


Fig. 1

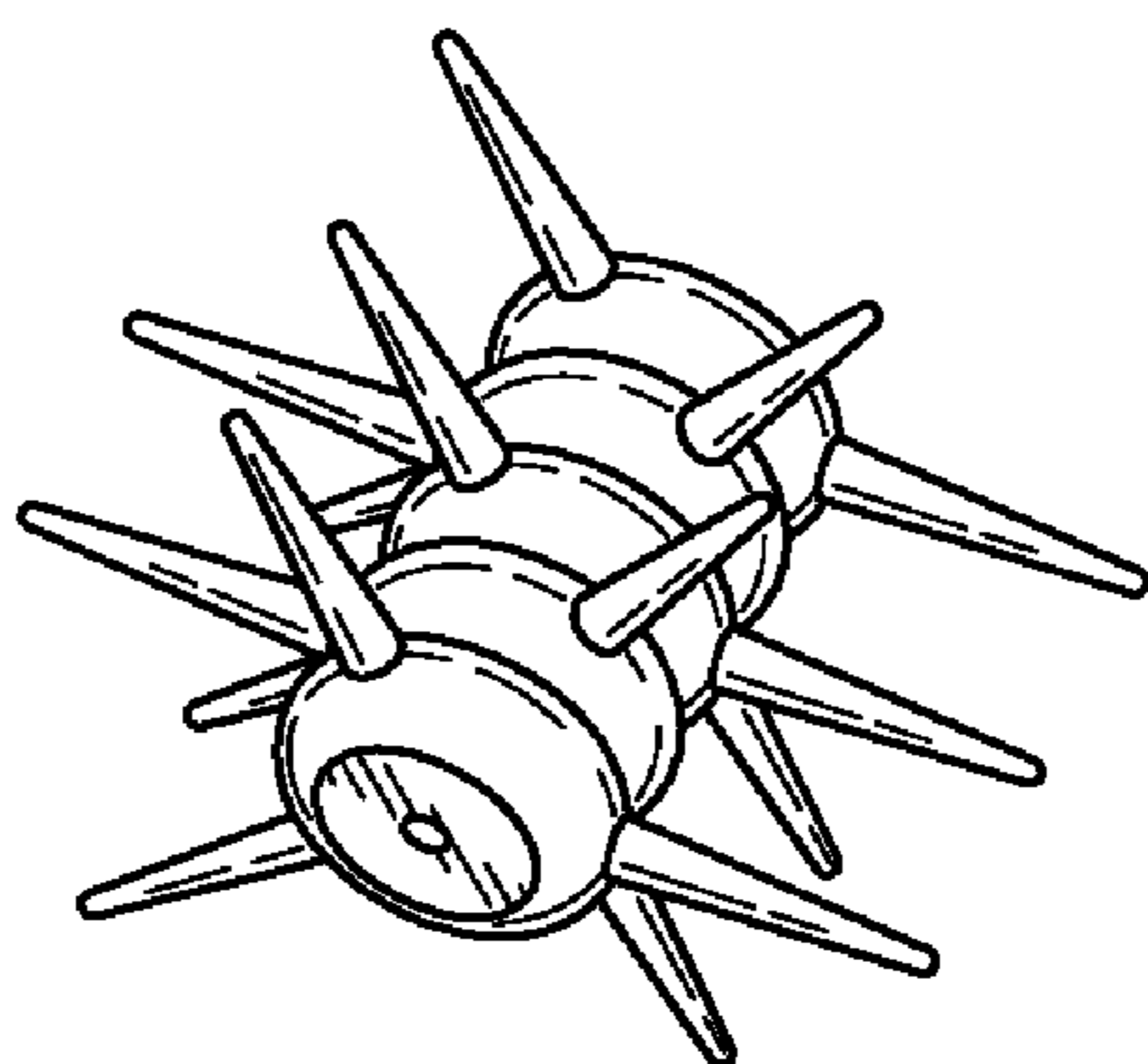


Fig. 2

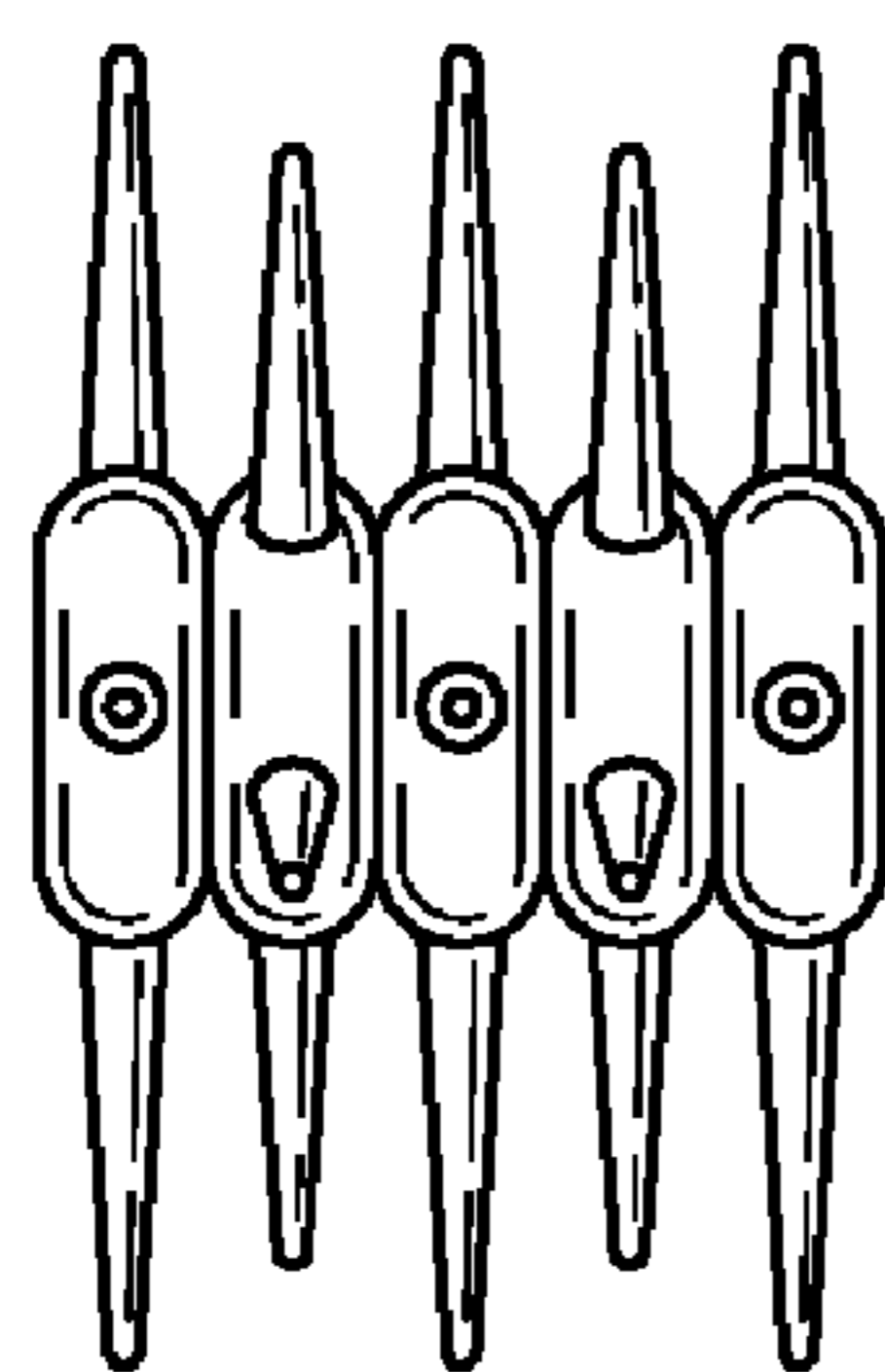


Fig. 3

