



US00D638731S

(12) **United States Design Patent**
Meyer et al.

(10) **Patent No.:** **US D638,731 S**

(45) **Date of Patent:** **** May 31, 2011**

(54) **WARNING LIGHT**

(75) Inventors: **Charles Meyer**, New Lenox, IL (US);
Paul Gergets, St. John, IN (US)

(73) Assignee: **Federal Signal Corporation**, Oak
Brook, IL (US)

(**) Term: **14 Years**

(21) Appl. No.: **29/356,141**

(22) Filed: **Feb. 19, 2010**

(51) **LOC (9) Cl.** **10-05**

(52) **U.S. Cl.** **D10/114**

(58) **Field of Classification Search** D10/114;
362/542, 480, 493; 340/468; D26/28, 35,
D26/80-86

See application file for complete search history.

(56) **References Cited**

U.S. PATENT DOCUMENTS

D216,222	S	12/1969	Magi et al.	
D294,974	S	3/1988	Gresens	
D324,921	S *	3/1992	Stanuch et al.	D26/35
5,097,397	A	3/1992	Stanuch	
D330,687	S	11/1992	Stanuch	
5,422,673	A	6/1995	Kondo et al.	
RE36,245	E *	7/1999	Stanuch et al.	362/480
6,100,791	A	8/2000	Bader et al.	
6,511,216	B2 *	1/2003	Strickland	362/542
D493,551	S	7/2004	Begin	
D561,058	S	2/2008	Taylor	
D592,089	S *	5/2009	Shin	D10/114
D614,986	S *	5/2010	Shin	D10/114
2002/0109999	A1 *	8/2002	Strickland	362/542
2010/0157589	A1	6/2010	Czajkowski et al.	

OTHER PUBLICATIONS

Code3, Defender™, 3 pages.

Code3, Rx 2700™ CC, 1 page.

SoundOff Signal, Pinnacle™ (Fusion Technology Gen3 Lightbar),
22 pages.

Tomar, 970L Scorpion Low Profile Lightbar, 2 pages.

Tomar, The Blade™ Low-Profile Lightbar, 4 pages.

Whelan Engineering Co., Inc., Mini Justice® Super-LED® Mini
Lightbar Series, © 2008, 1 page.

Whelan Engineering Co., Inc., Whelan® LFL Liberty™ Linear-
LED® Lightbars, © 2009, 4 pages.

Declaration of Paul Gergets executed Oct. 13, 2010.

* cited by examiner

Primary Examiner — Caron Veynar

Assistant Examiner — George D Kirschbaum

(74) *Attorney, Agent, or Firm* — Merchant & Gould P.C.

(57) **CLAIM**

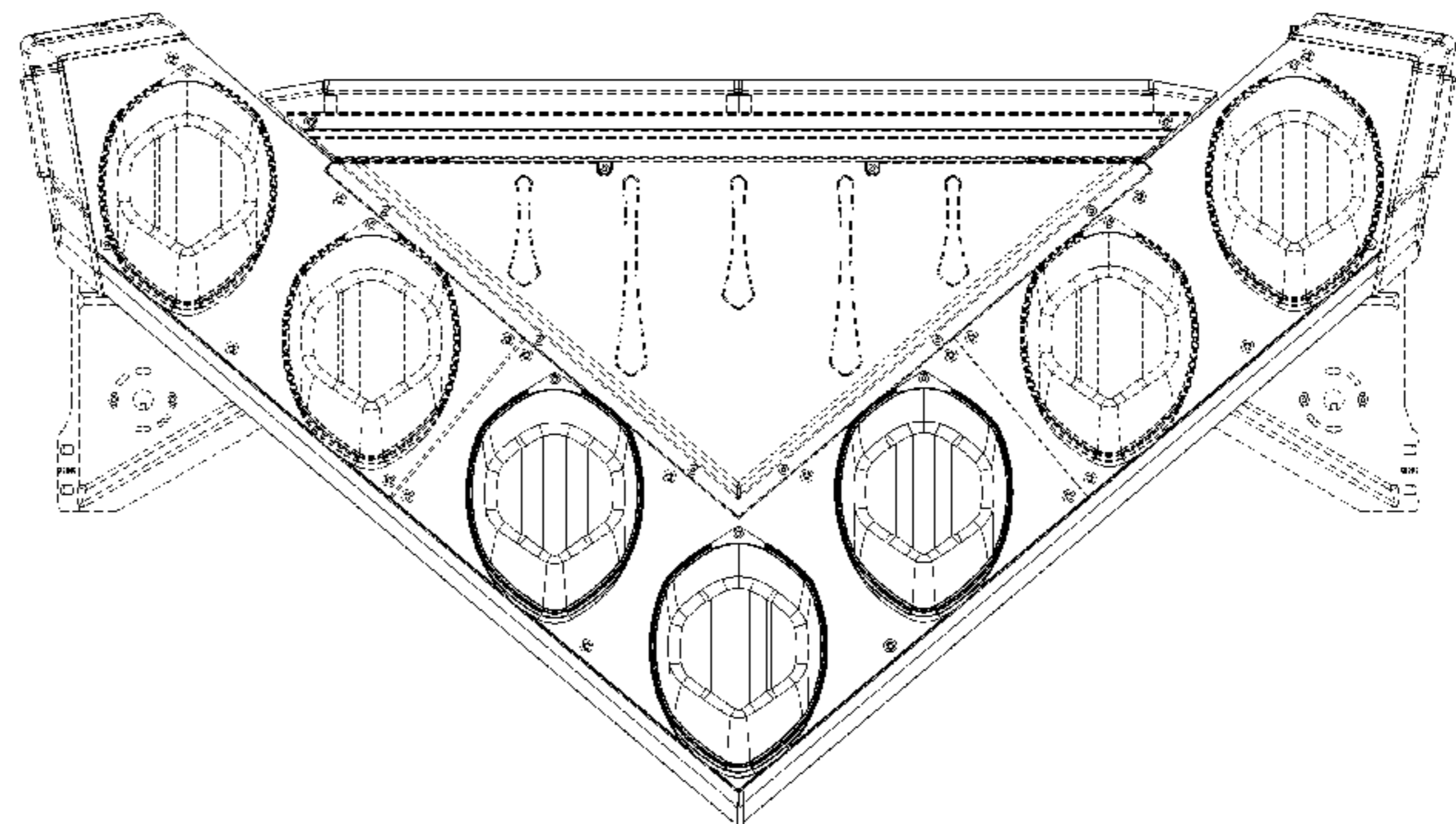
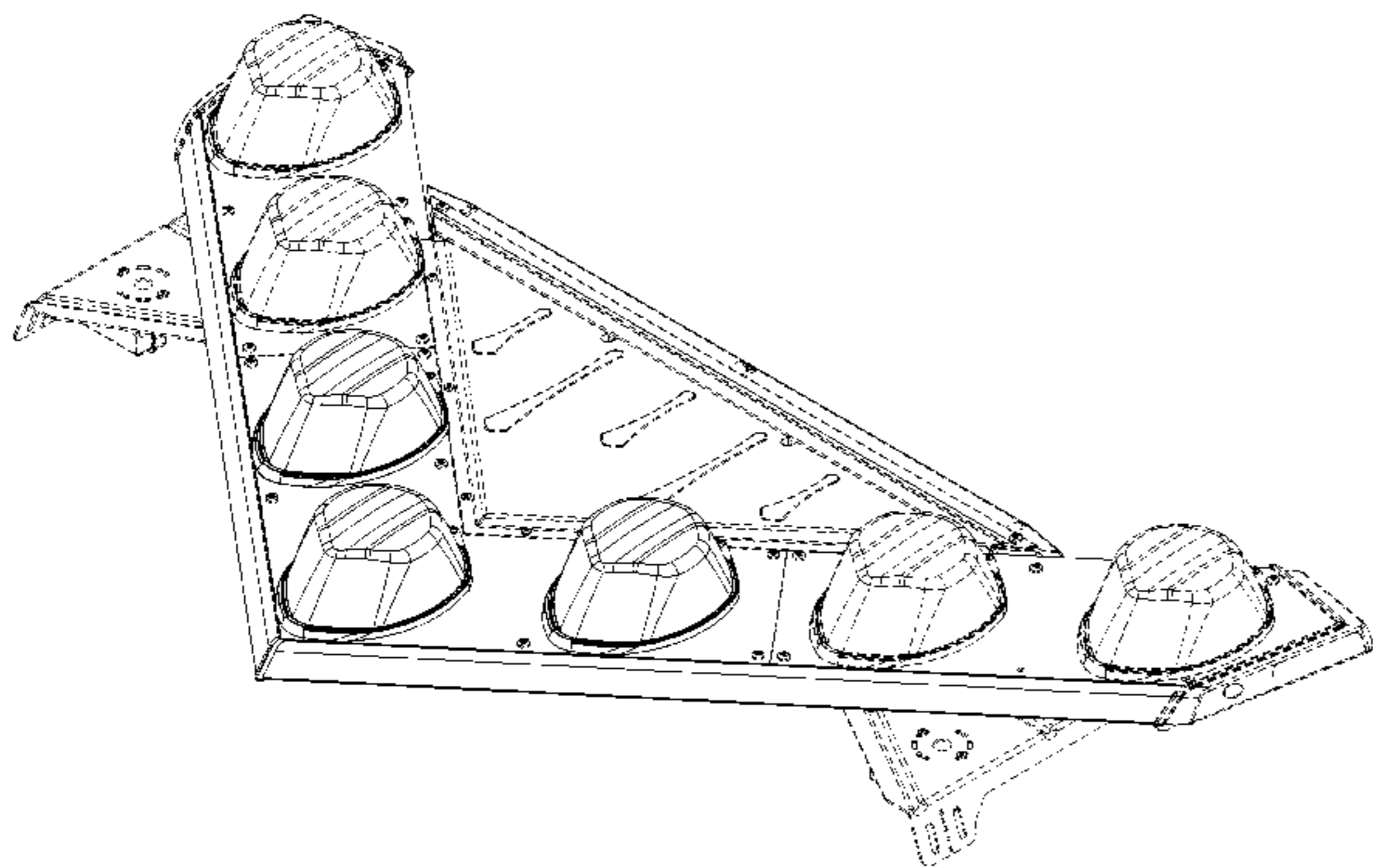
The ornamental design for warning light, as shown and
described.

DESCRIPTION

FIG. 1 is a top perspective of a first embodiment for a warning light in accord with the present disclosure;
 FIG. 2 is a front elevational view thereof;
 FIG. 3 is a rear elevational view thereof;
 FIG. 4 is a first side elevational view; a second, opposite, side view being substantially a mirror image thereof;
 FIG. 5 is a top plan view thereof;
 FIG. 6 is a bottom plan view thereof;
 FIG. 7 is a top perspective of a second embodiment for a warning light in accord with the present disclosure;
 FIG. 8 is a front elevational view thereof;
 FIG. 9 is a rear elevational view thereof;
 FIG. 10 is a side elevational view thereof; a second, opposite, side view being substantially a mirror image thereof;
 FIG. 11 is a top plan view thereof;
 FIG. 12 is a bottom plan view thereof;
 FIG. 13 is a top perspective of a third embodiment for a warning light in accord with the present disclosure;
 FIG. 14 is a front elevational view thereof;
 FIG. 15 is a rear elevational view thereof;
 FIG. 16 is a side elevational view thereof; a second, opposite, side view being substantially a mirror image thereof;
 FIG. 17 is a top plan view thereof; and,
 FIG. 18 is a bottom plan view thereof.

In the drawings, the broken line showing of portions of the warning light lens and mounting hardware in the figures depicts environmental subject matter and forms no part of the claim.

1 Claim, 18 Drawing Sheets



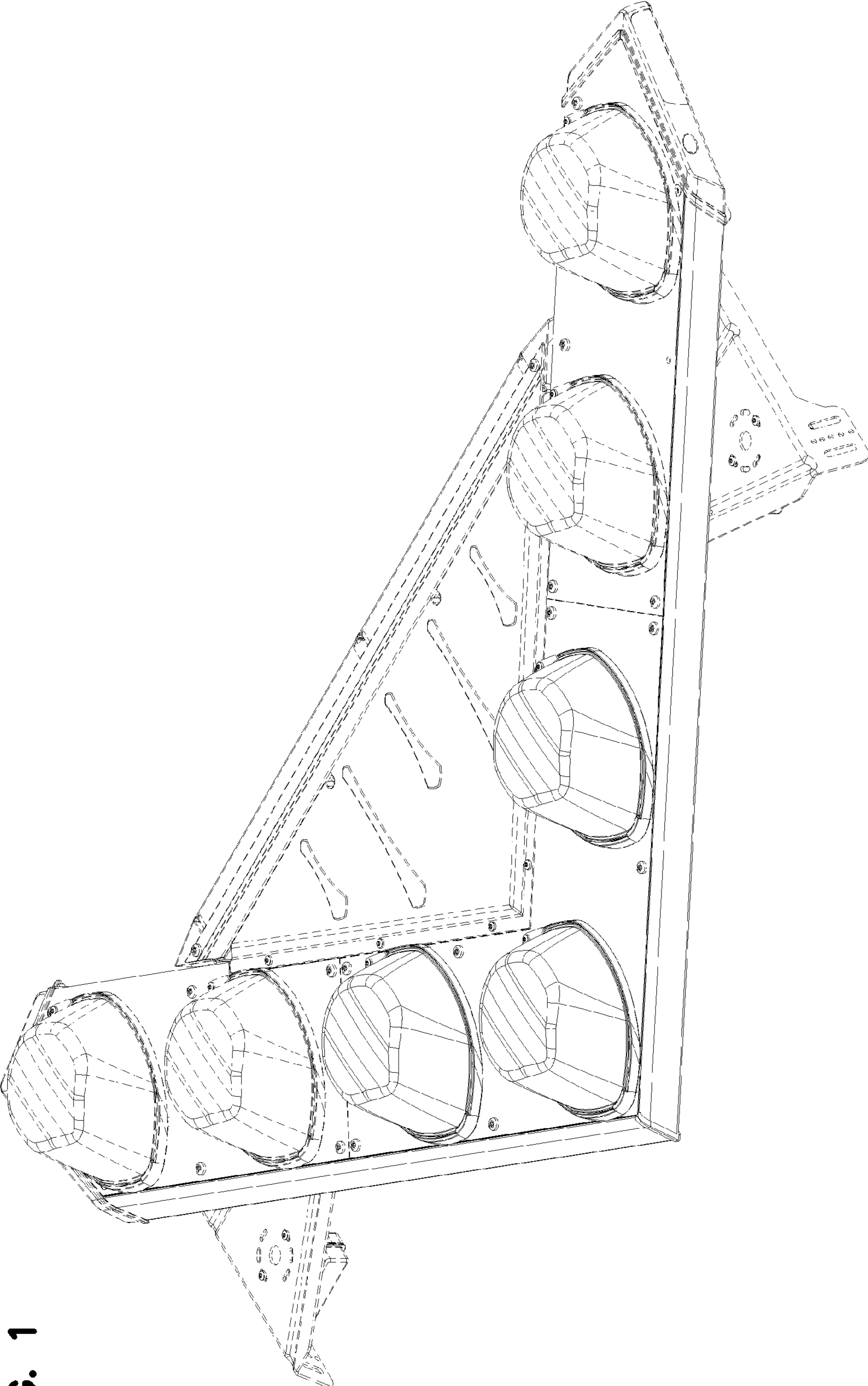


FIG. 1

FIG. 2

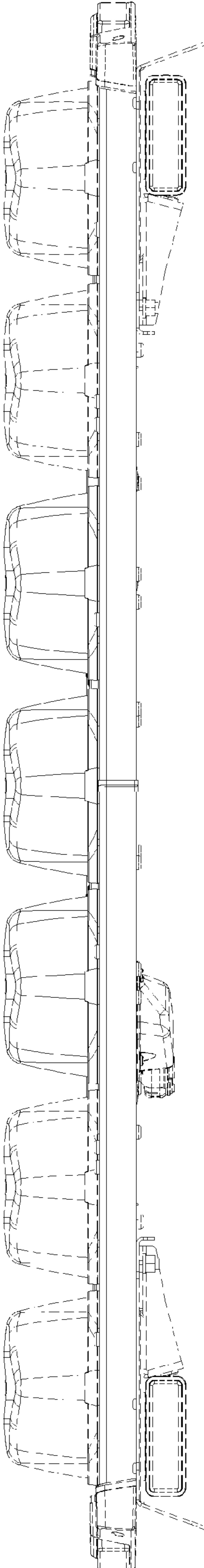


FIG. 3

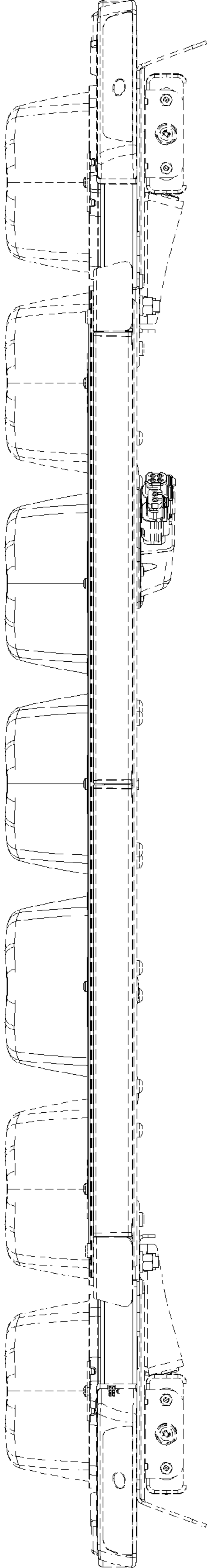
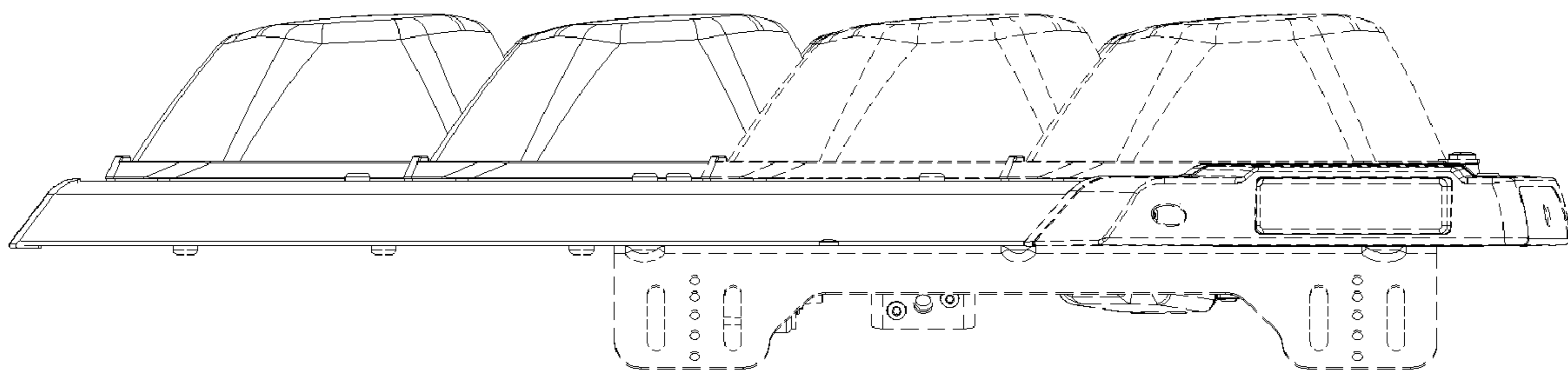


FIG. 4



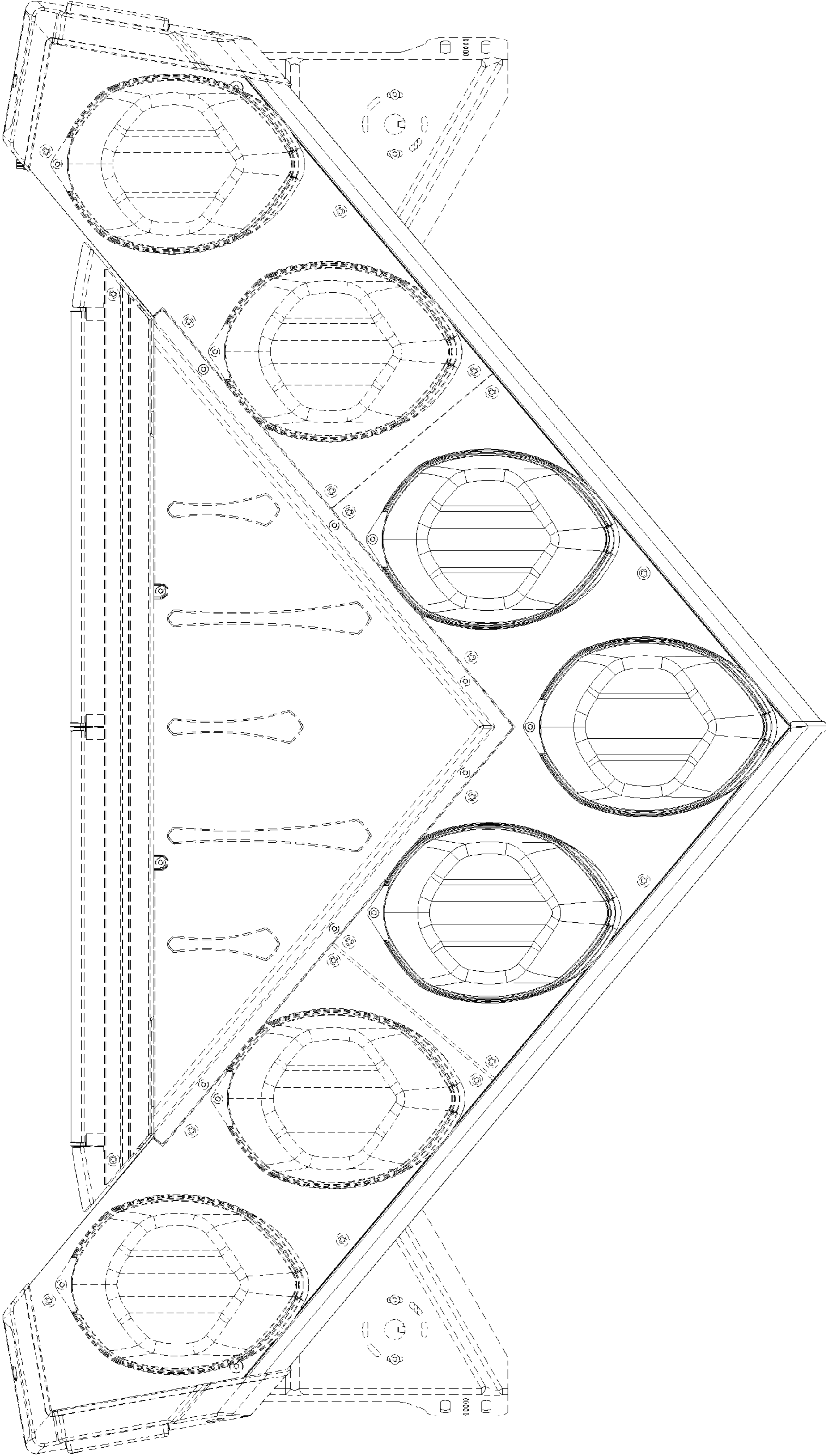


FIG. 5

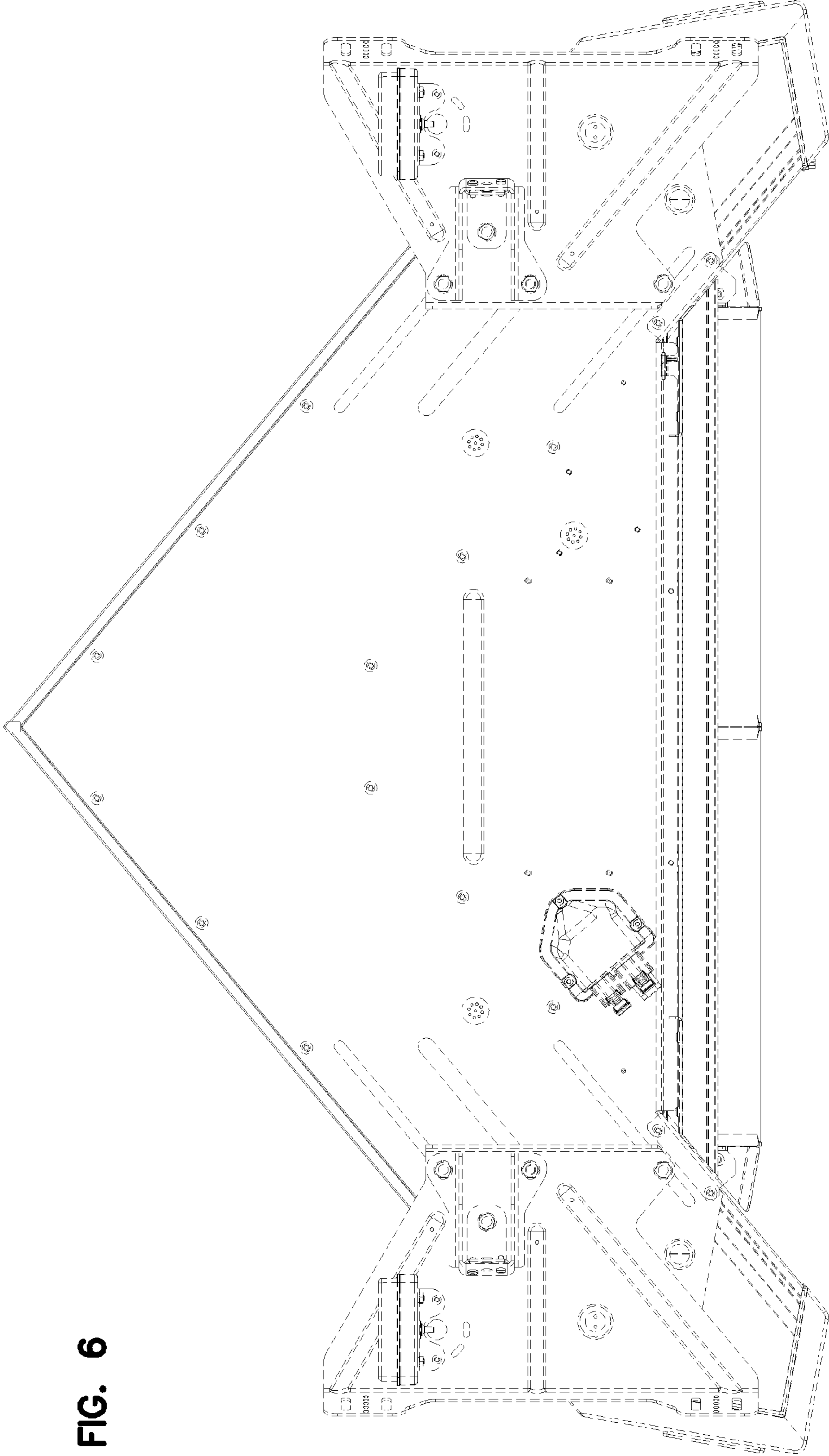


FIG. 6

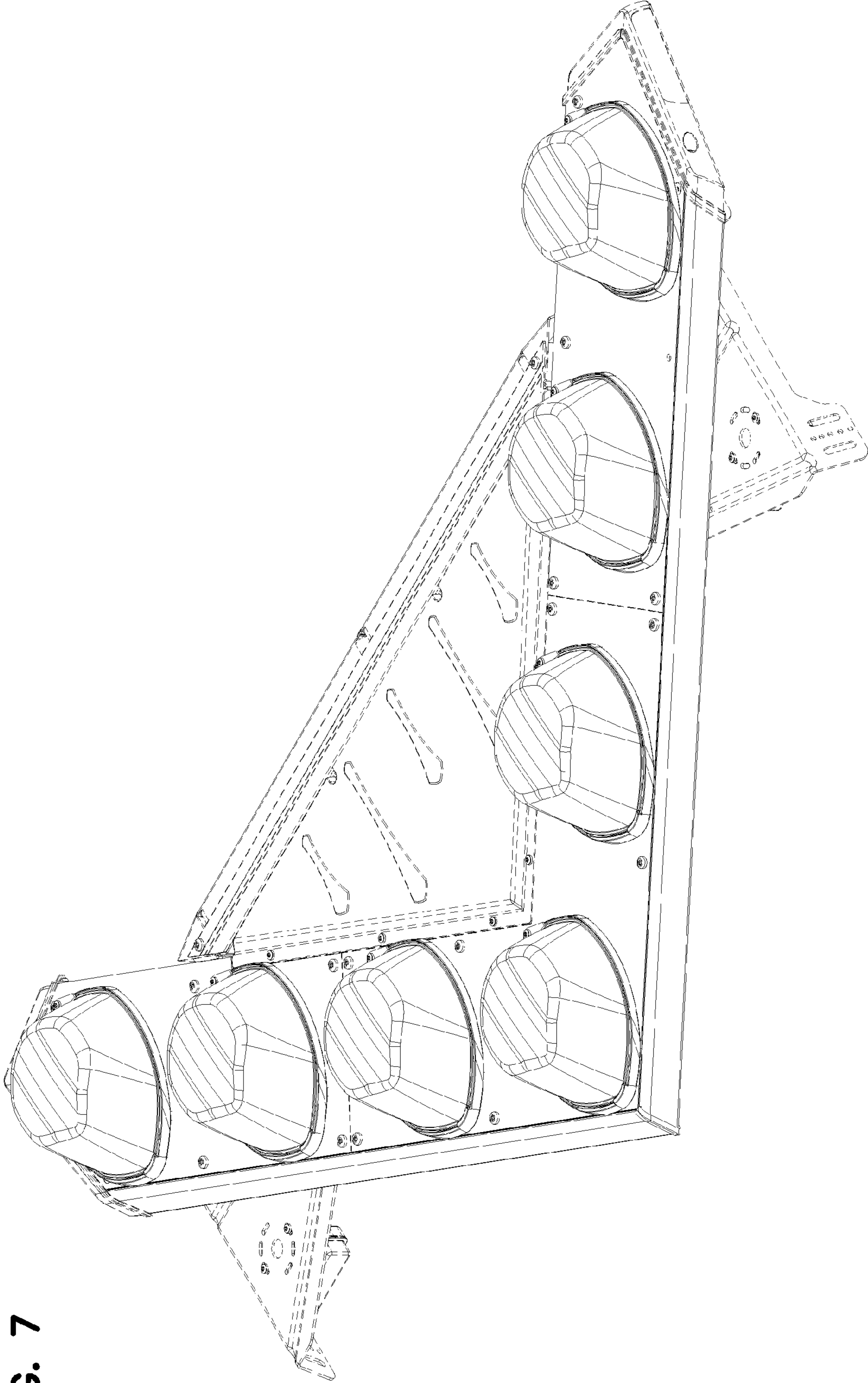


FIG. 7

FIG. 8

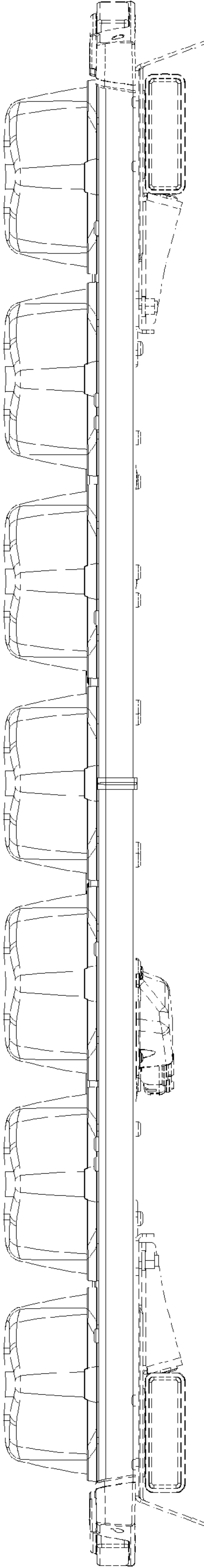


FIG. 9

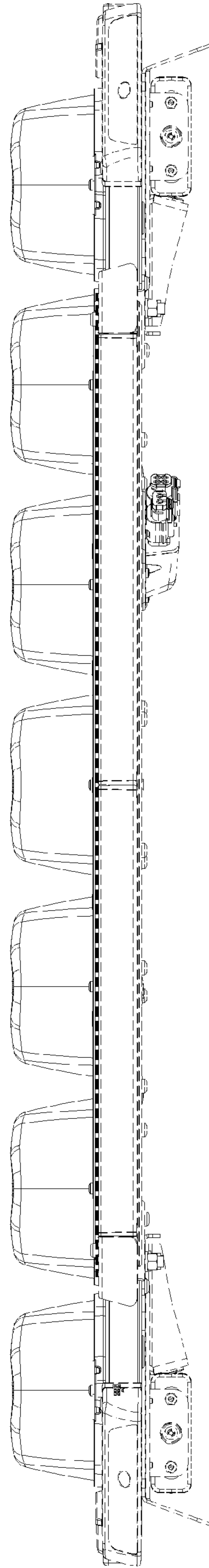


FIG. 10

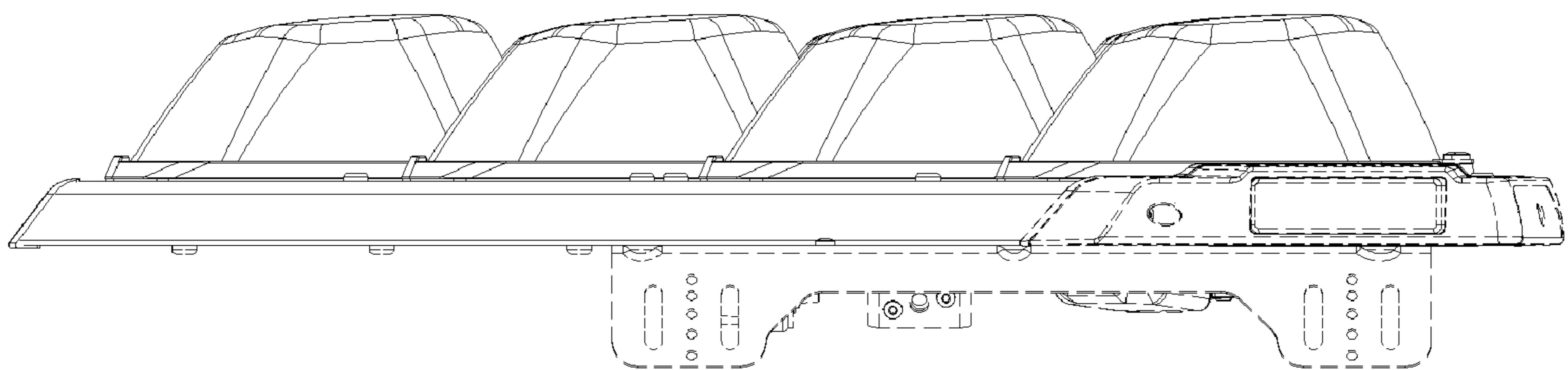
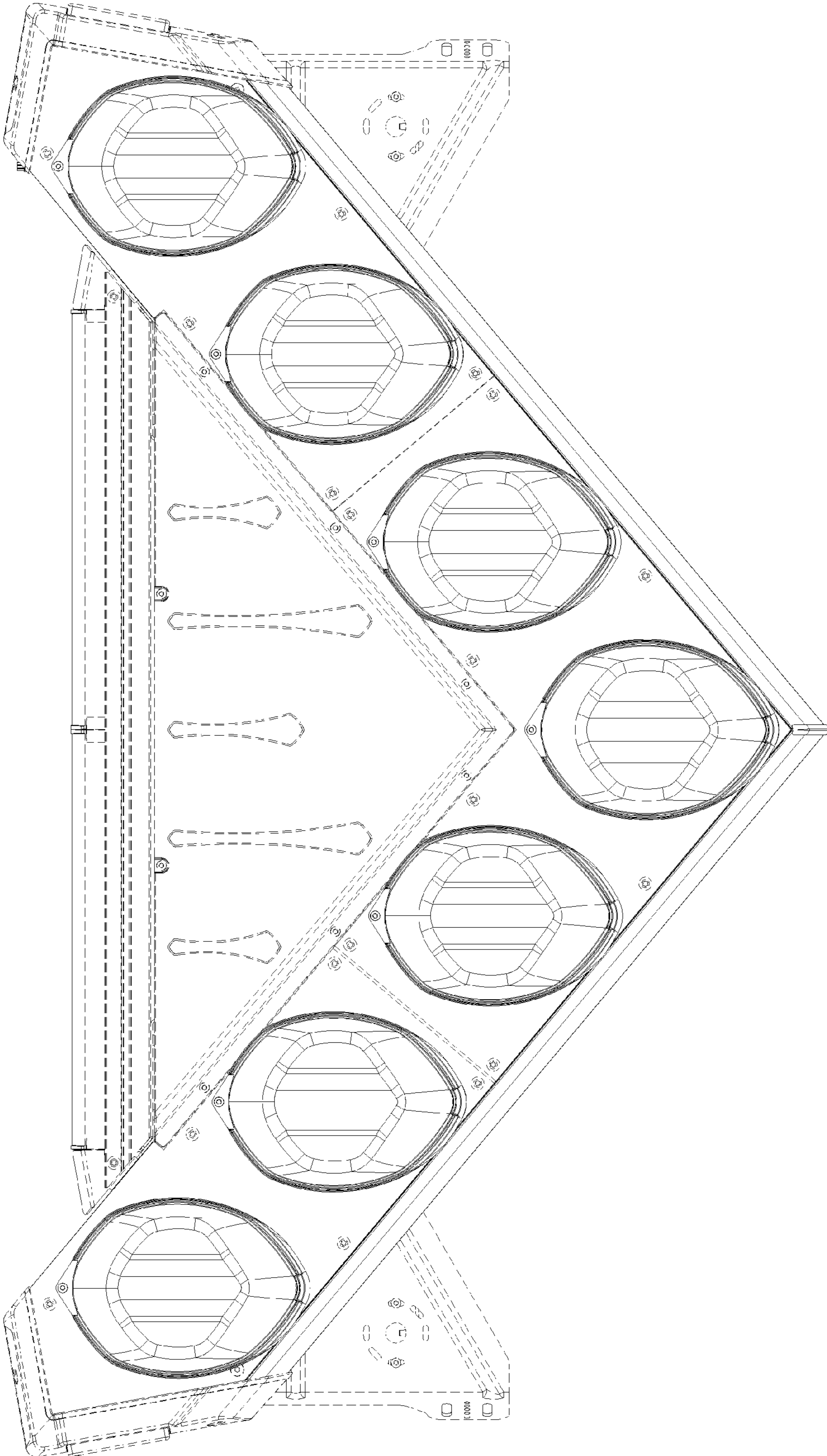


FIG. 11



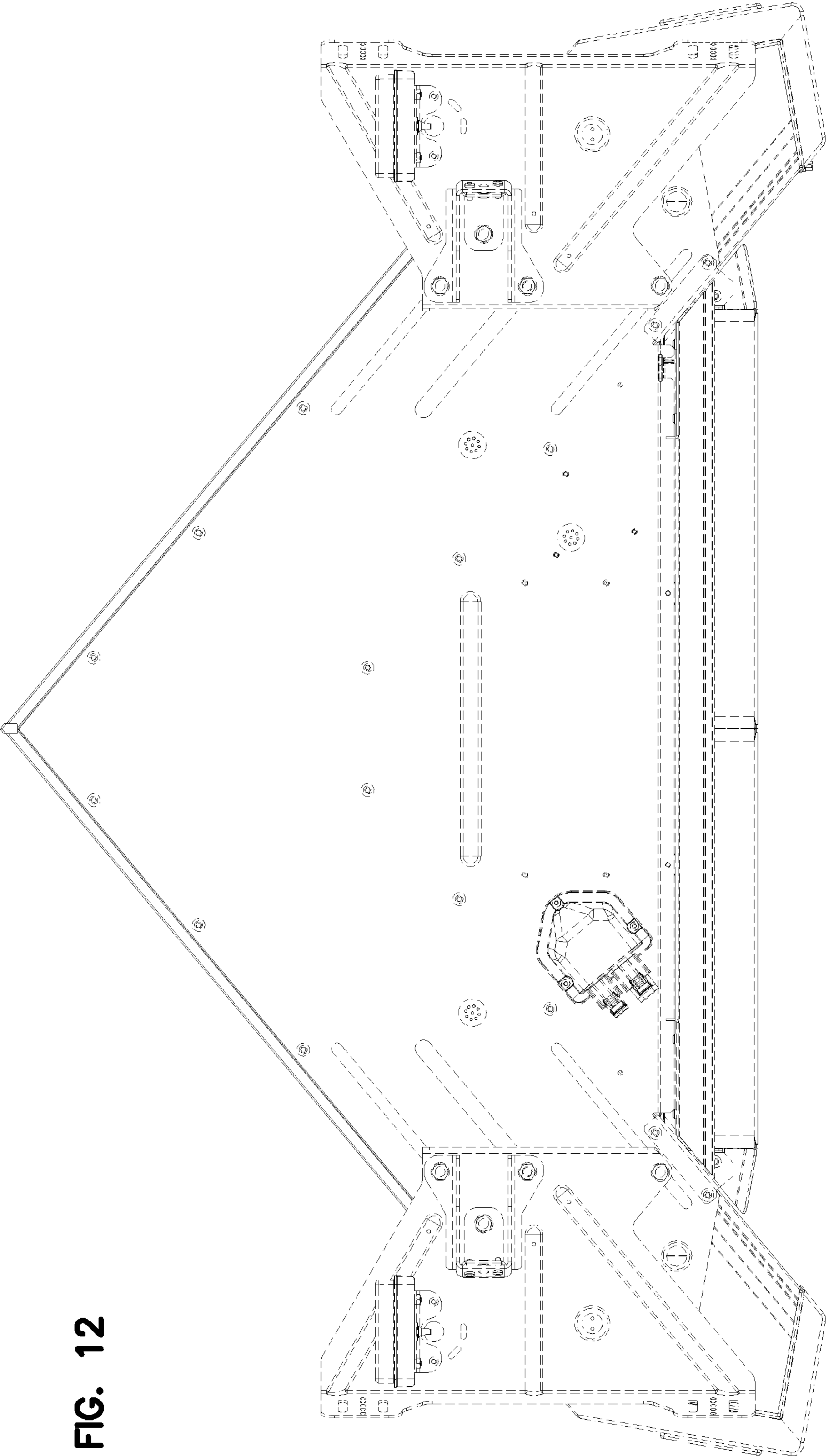


FIG. 12

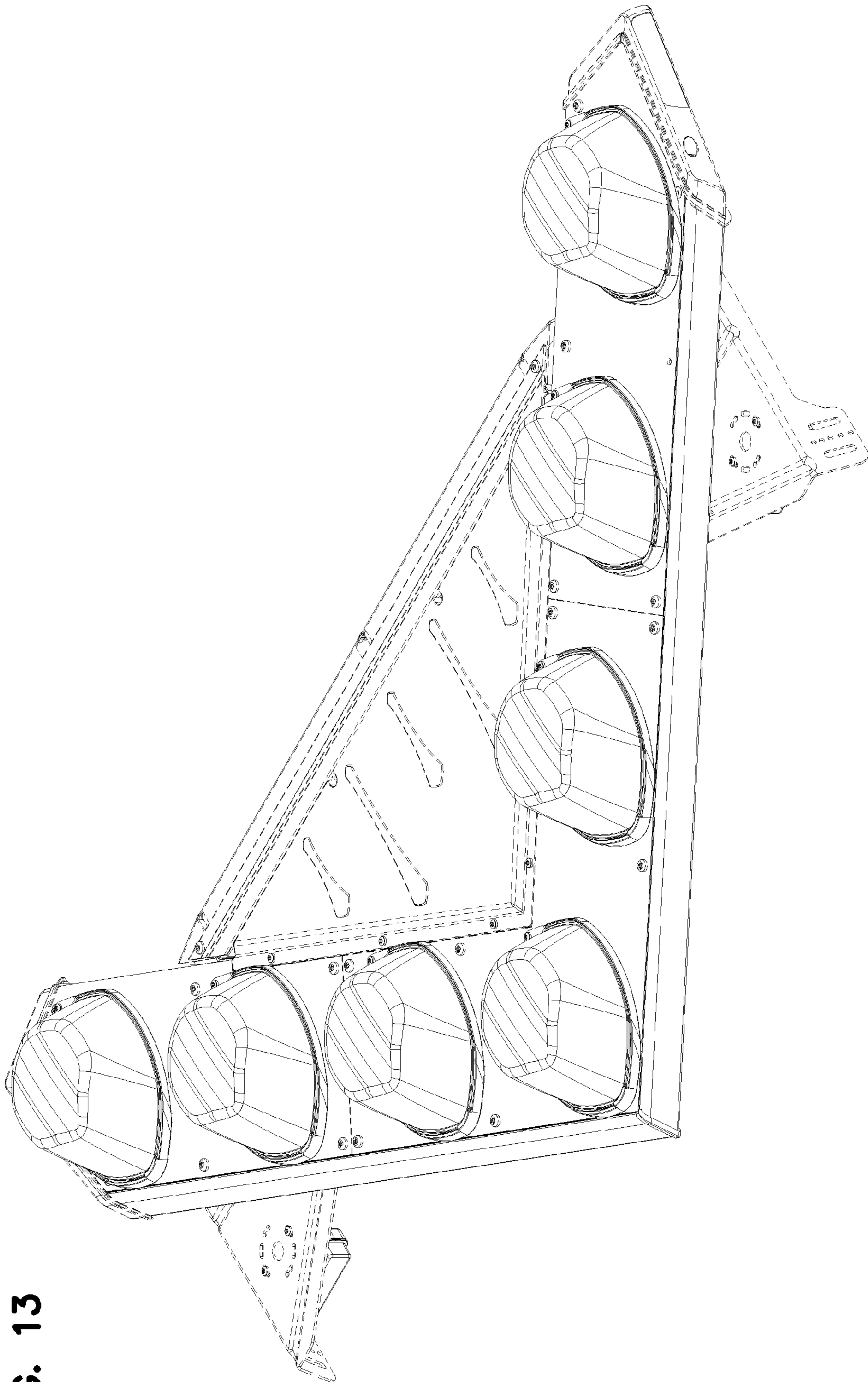


FIG. 13

FIG. 14

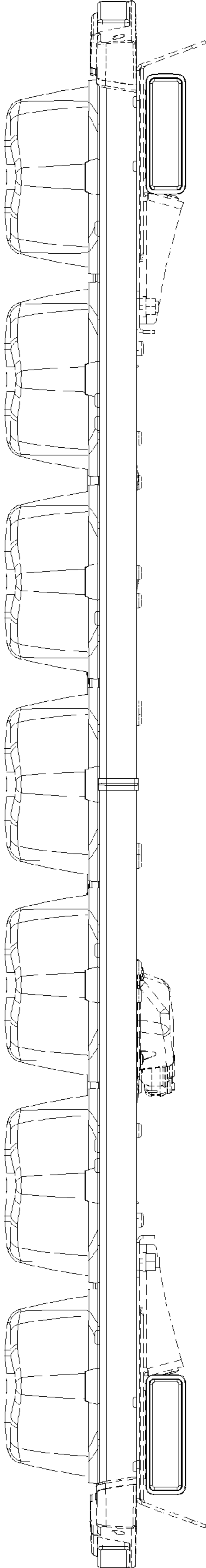


FIG. 15

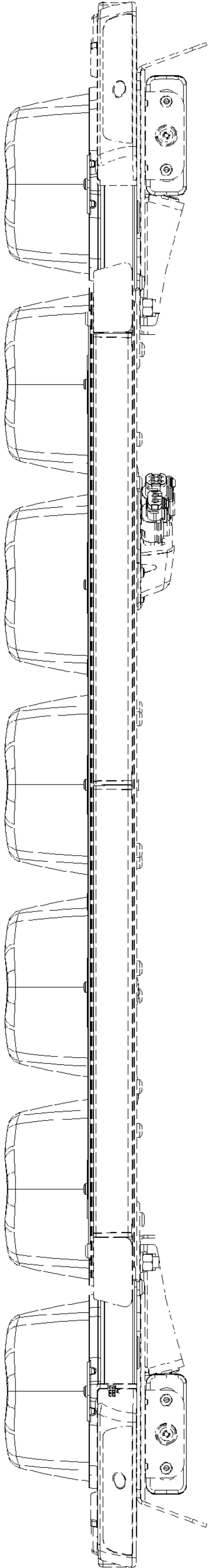


FIG. 16

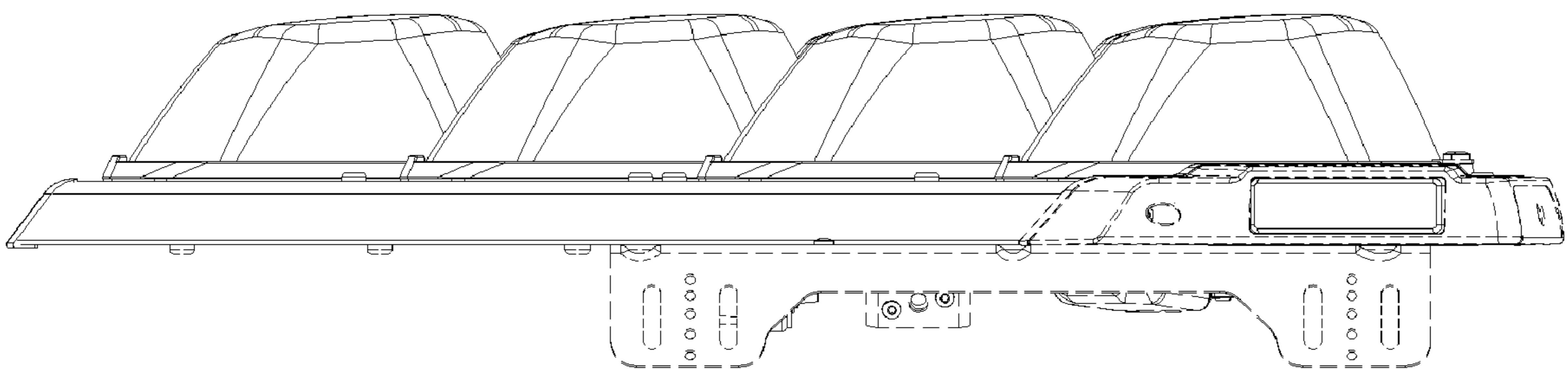
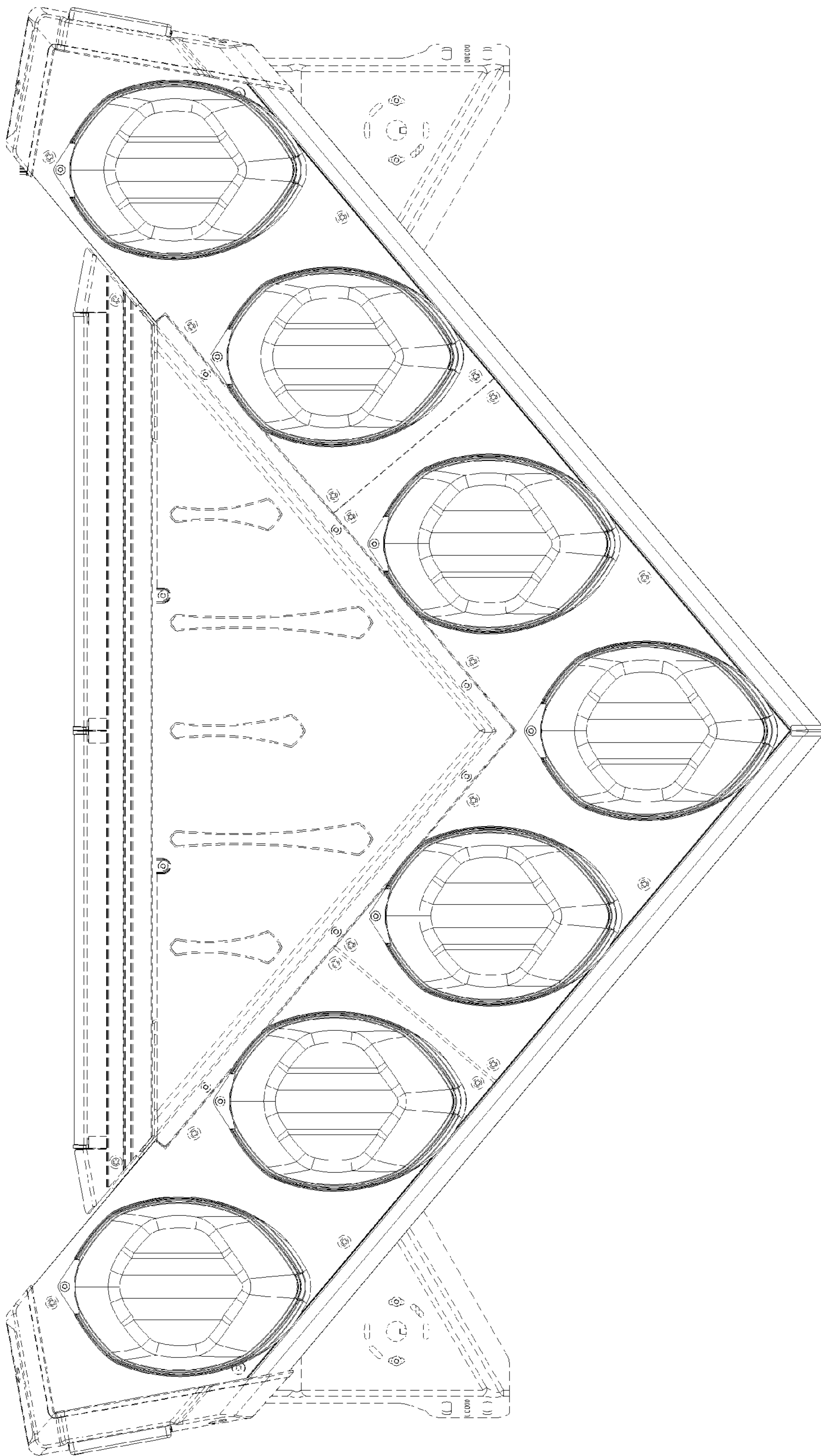


FIG. 17



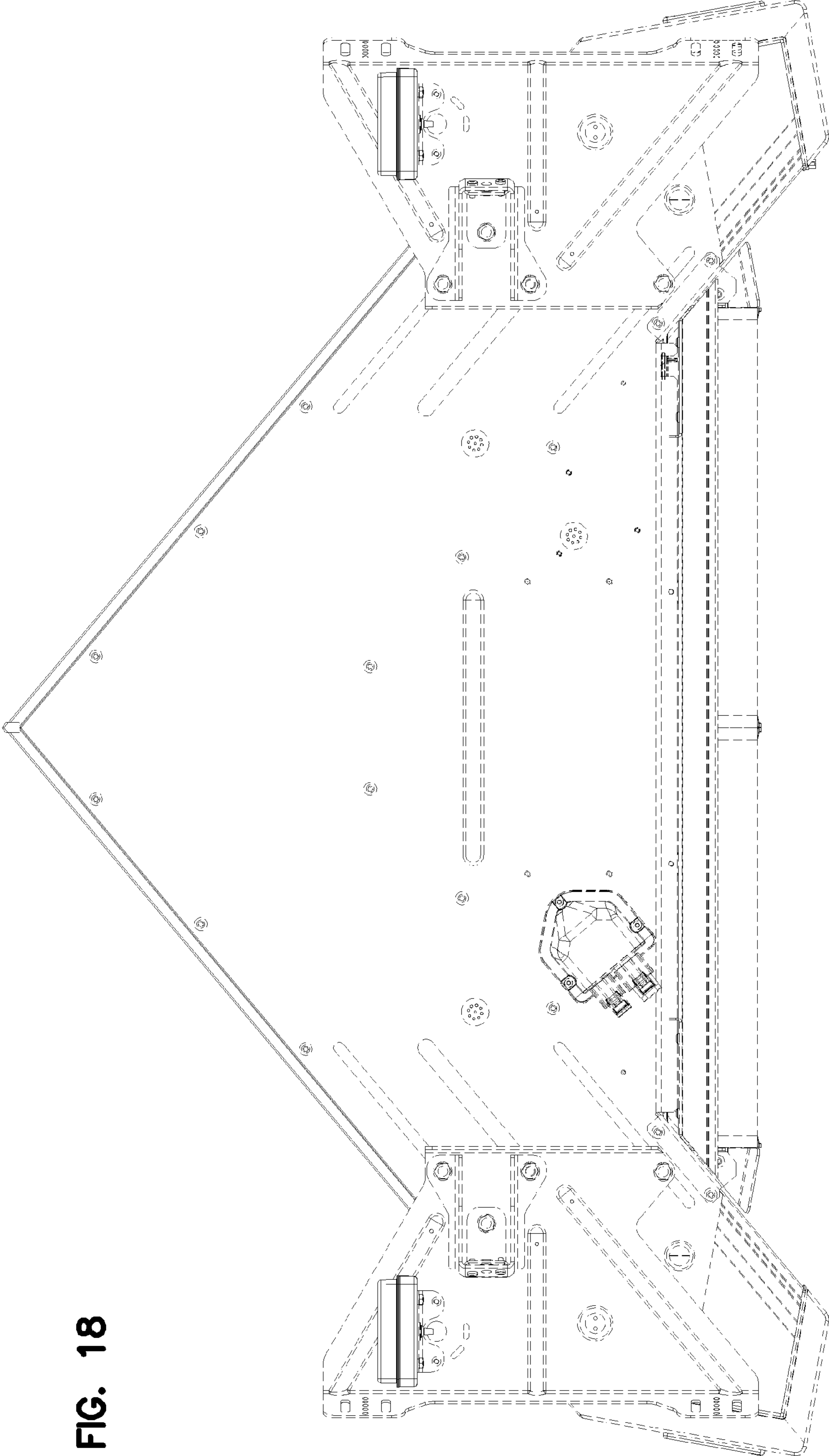


FIG. 18