



US00D638729S

(12) **United States Design Patent**
Beaupre et al.

(10) **Patent No.:** **US D638,729 S**

(45) **Date of Patent:** **** May 31, 2011**

(54) **RHEOLOGICAL PROBE**

2007/0185636 A1 8/2007 Cooley et al.
2008/0316856 A1 12/2008 Cooley et al.
2009/0037026 A1 2/2009 Sostaric et al.

(75) Inventors: **Denis Beaupre**,
Sainte-Catherine-de-la-Jacques-Cartier
(CA); **Jérôme Chapdelaine**,
Saint-Nicolas (CA); **Frédéric**
Chapdelaine, Saint-Nicolas (CA)

FOREIGN PATENT DOCUMENTS

CA 2555628 1/2005

* cited by examiner

(73) Assignee: **I.B.B. Rheologie Inc.**, Québec (CA)

Primary Examiner — Antoine D Davis

(74) *Attorney, Agent, or Firm* — Ogilvy Renault LLP

(**) Term: **14 Years**

(57) **CLAIM**

(21) Appl. No.: **29/344,973**

The ornamental design for a rheological probe, as shown and described.

(22) Filed: **Oct. 7, 2009**

DESCRIPTION

(51) **LOC (9) Cl.** **10-04**

(52) **U.S. Cl.** **D10/78; D10/81**

(58) **Field of Classification Search** D10/78,
D10/81; 73/53, 53.01, 54.02, 54.01, 64.56,
73/61.4, 64.1, 61 R, 153, 155, DIG. 8; 324/71.2,
324/425, 691, 693, 700, 715, 717, 722, 724;
228/103, 104; 364/477.06

See application file for complete search history.

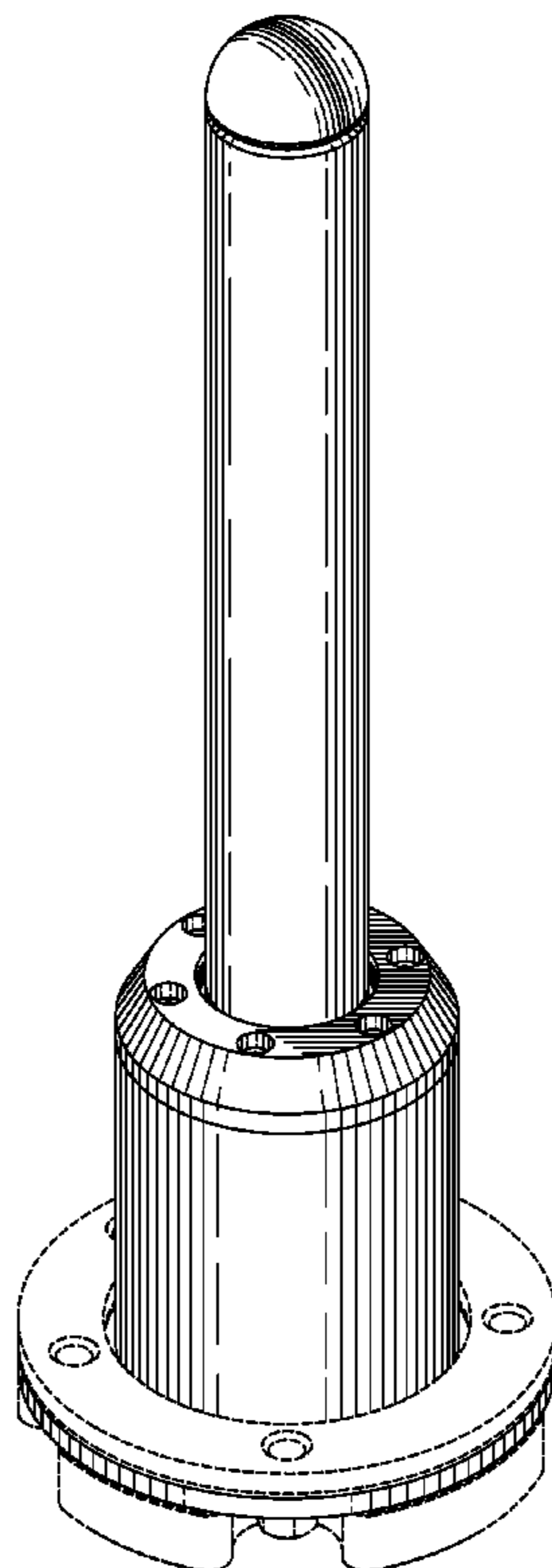
FIG. 1 is a perspective view of the rheological probe in accordance with our design;
FIG. 2 is a front elevation view of the rheological probe of FIG. 1;
FIG. 3 is a side elevation view of the rheological probe of FIG. 1, the opposite side being a mirror image thereof;
FIG. 4 is a rear elevation view of the rheological probe of FIG. 1;
FIG. 5 is a top view of the rheological probe of FIG. 1; and,
FIG. 6 is a bottom view of the rheological probe of FIG. 1.
The broken line showing of structural features is included for the purpose of illustrating non-claimed subject matter and forms no part of the claimed design.

(56) **References Cited**

U.S. PATENT DOCUMENTS

4,356,723 A 11/1982 Fay
5,948,970 A 9/1999 Te'eni
6,005,399 A * 12/1999 Frederickson et al. 324/693
6,227,039 B1 5/2001 Te'eni
7,384,180 B2 6/2008 Jarvinen et al.

1 Claim, 5 Drawing Sheets



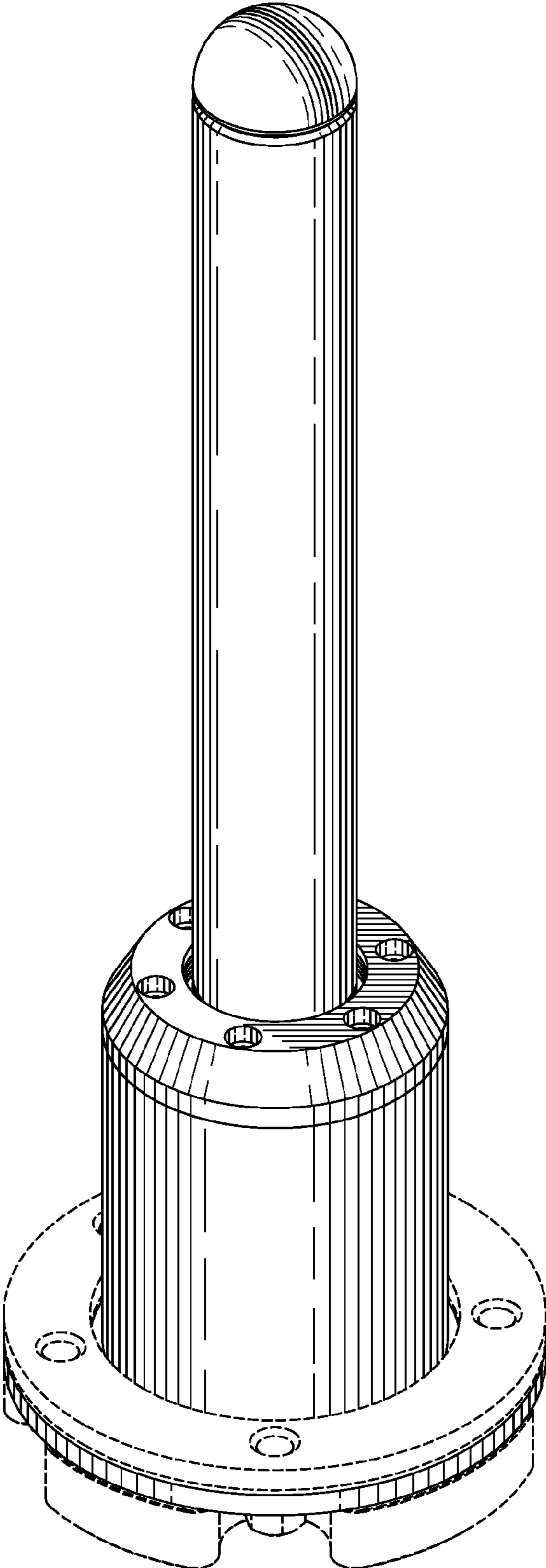


FIG. 1

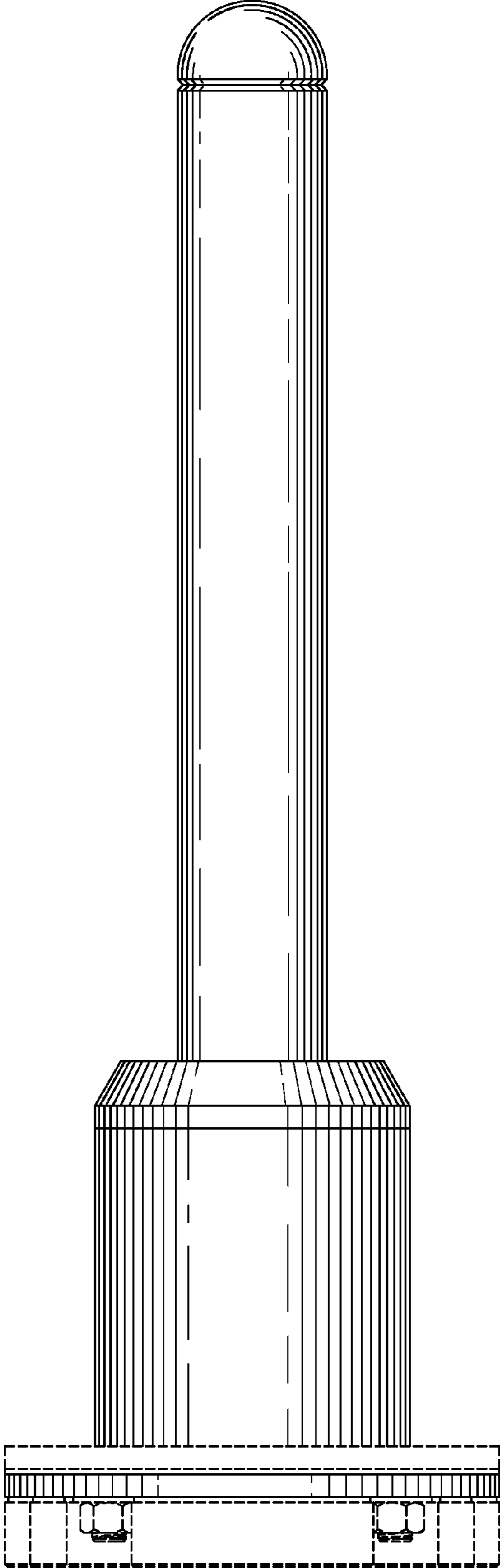


FIG. 2

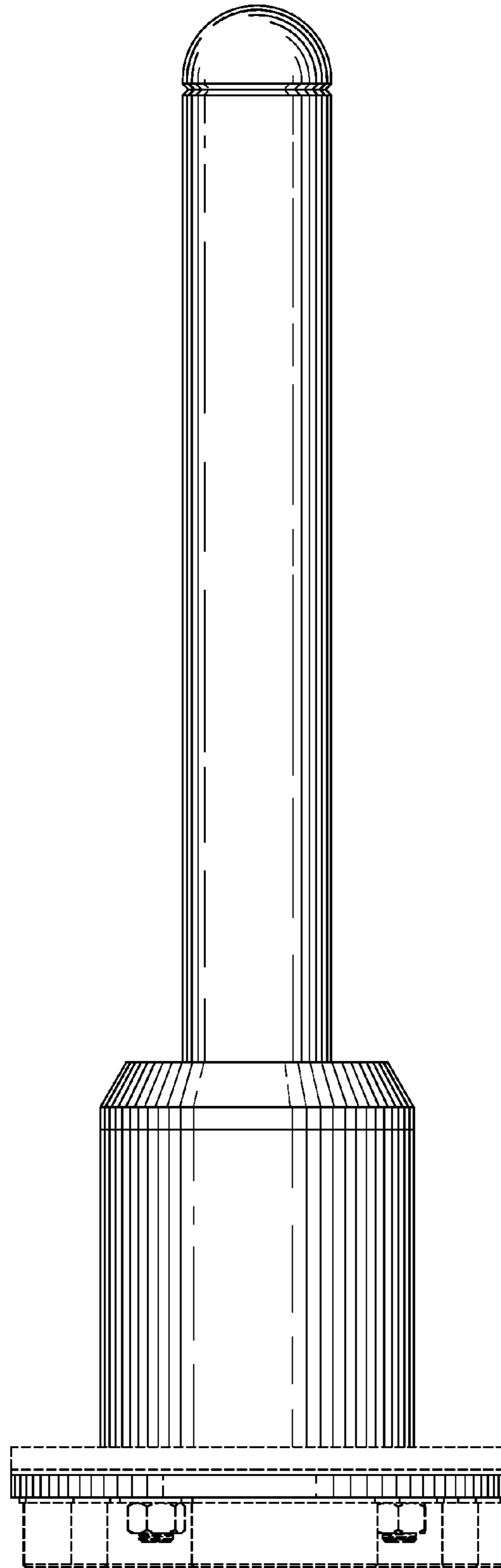


FIG. 3

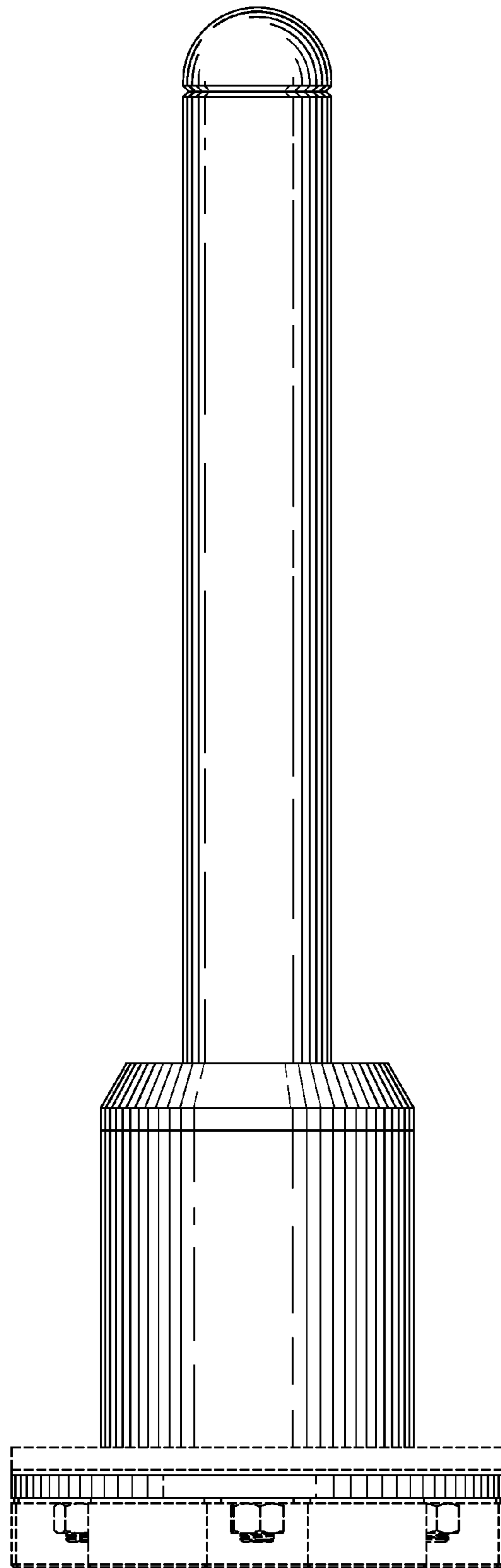


FIG. 4

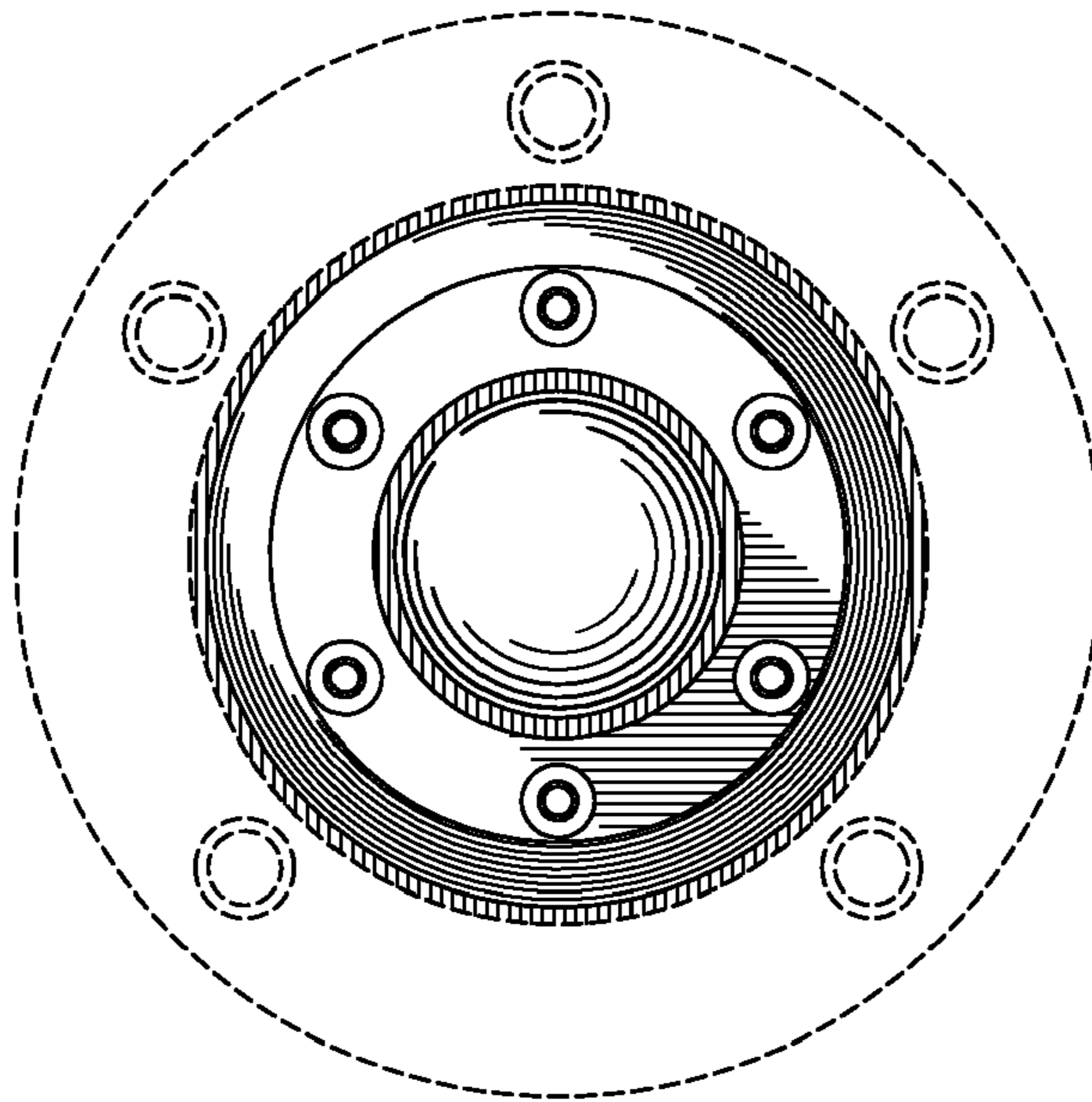


FIG. 5

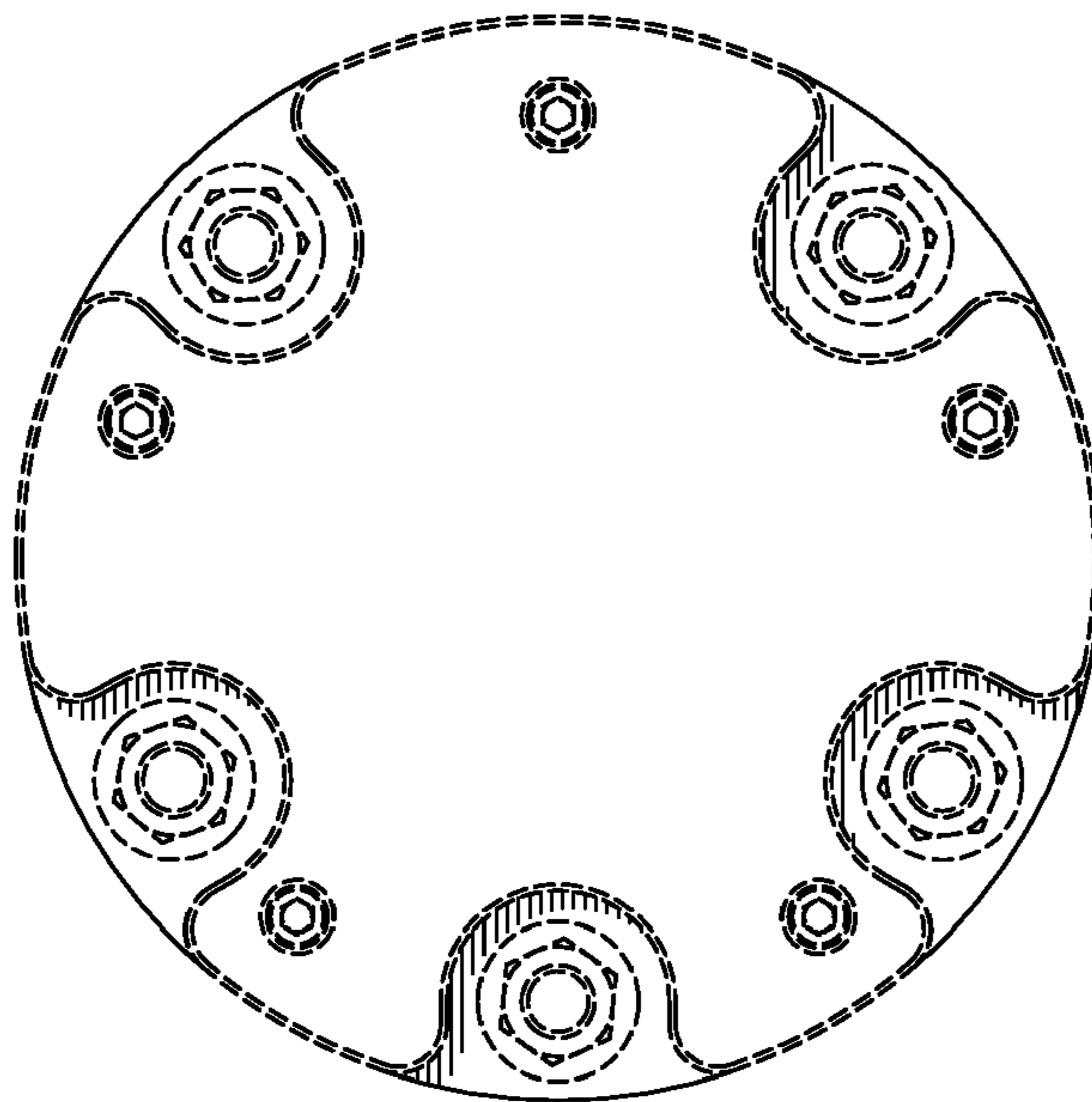


FIG. 6