

US00D638727S

(12) **United States Design Patent**  
**Hagstrom et al.**

(10) **Patent No.:** **US D638,727 S**

(45) **Date of Patent:** **\*\* May 31, 2011**

(54) **MEASURE TAPE**

(75) Inventors: **Johan-Petter Hagstrom**, Hagersten (SE); **Johan Dahlberg**, Taby (SE); **Magnus Olsson**, Stockholm (SE)

(73) Assignee: **Kapman AB**, Sandviken (SE)

(\*\*) Term: **14 Years**

(21) Appl. No.: **29/360,174**

(22) Filed: **Apr. 21, 2010**

(30) **Foreign Application Priority Data**

Oct. 23, 2009 (EM) ..... 1627712-0001-0002

(51) **LOC (9) Cl.** ..... **10-04**

(52) **U.S. Cl.** ..... **D10/72**

(58) **Field of Classification Search** ..... D10/72,  
D10/74; 33/755-771; 242/285, 291, 379,  
242/379.1, 379.2, 381, 381.1-381.6, 405  
See application file for complete search history.

(56) **References Cited**

**U.S. PATENT DOCUMENTS**

D289,742 S \* 5/1987 Blakely et al. .... D10/72  
D311,874 S \* 11/1990 Ingram et al. .... D10/72  
D315,109 S \* 3/1991 Ingram et al. .... D10/72

D392,197 S \* 3/1998 Reynolds ..... D10/65  
D458,164 S \* 6/2002 Loeffler ..... D10/72  
D470,427 S \* 2/2003 Scurry ..... D10/72  
6,691,425 B1 \* 2/2004 Lee et al. .... 33/759  
D487,875 S \* 3/2004 Wang ..... D10/72  
D503,639 S \* 4/2005 Lin ..... D10/72  
2005/0252021 A1 \* 11/2005 Kang ..... 33/769

\* cited by examiner

*Primary Examiner* — Antoine D Davis

(74) *Attorney, Agent, or Firm* — Buchanan Ingersoll & Rooney PC

(57) **CLAIM**

The ornamental design for a measure tape, as shown and described.

**DESCRIPTION**

FIG. 1 is a perspective view of a measure tape according to our new design.

FIG. 2 is a front elevational view thereof.

FIG. 3 is a rear elevational view thereof.

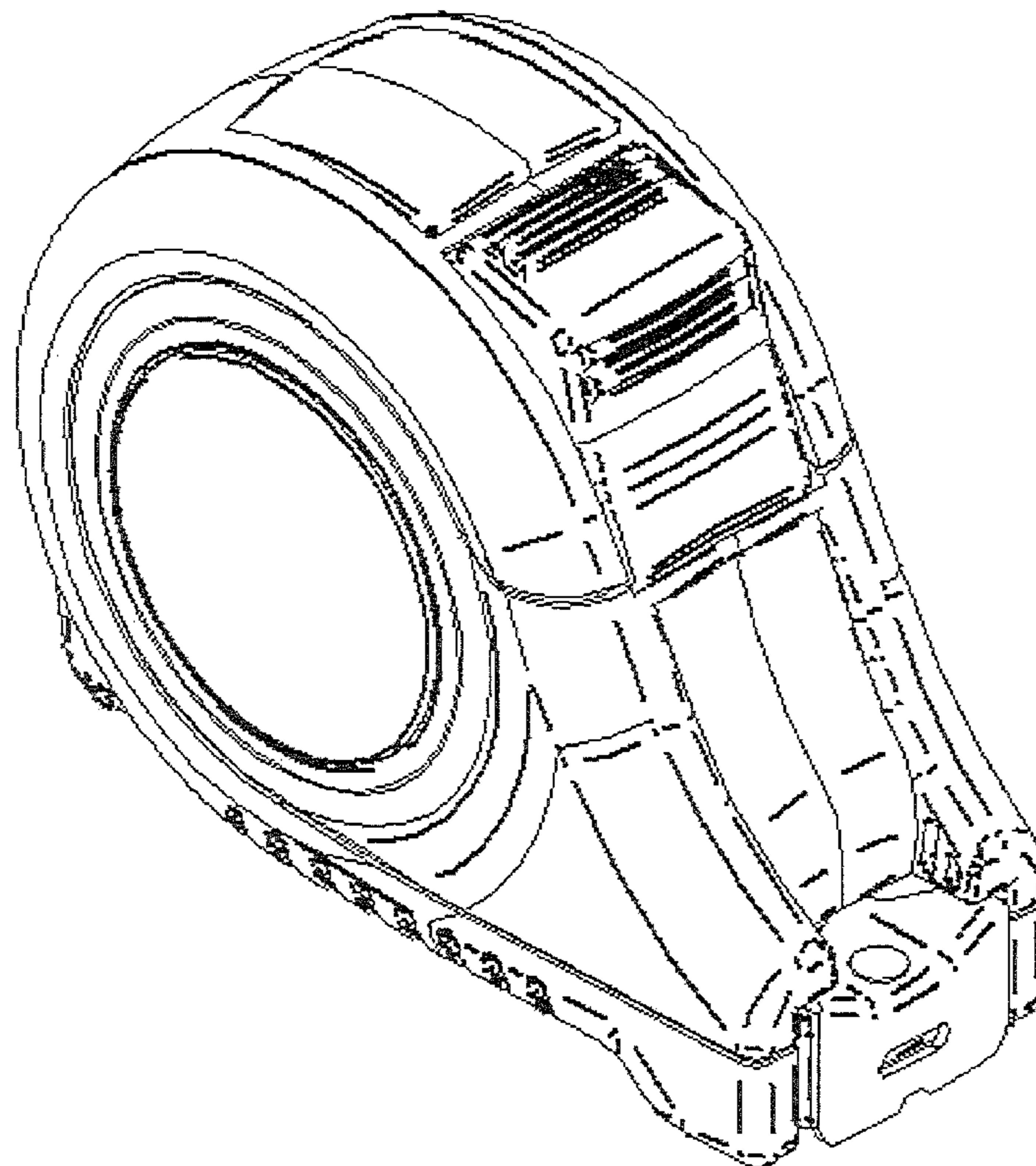
FIG. 4 is a left side elevational view thereof.

FIG. 5 is a right side elevational view thereof.

FIG. 6 is a top plan view thereof; and,

FIG. 7 is a bottom plan view thereof.

**1 Claim, 7 Drawing Sheets**



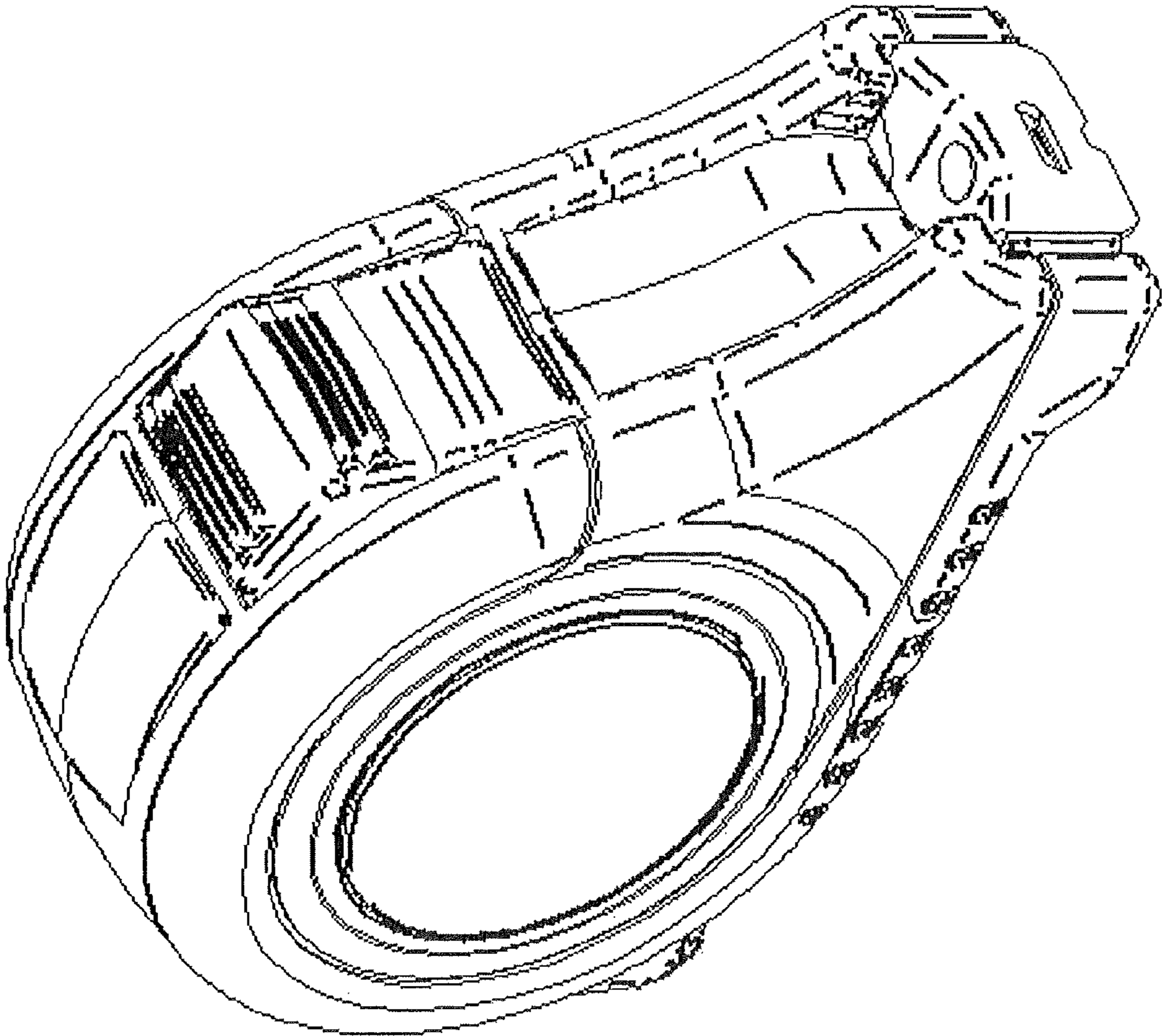


Fig 1

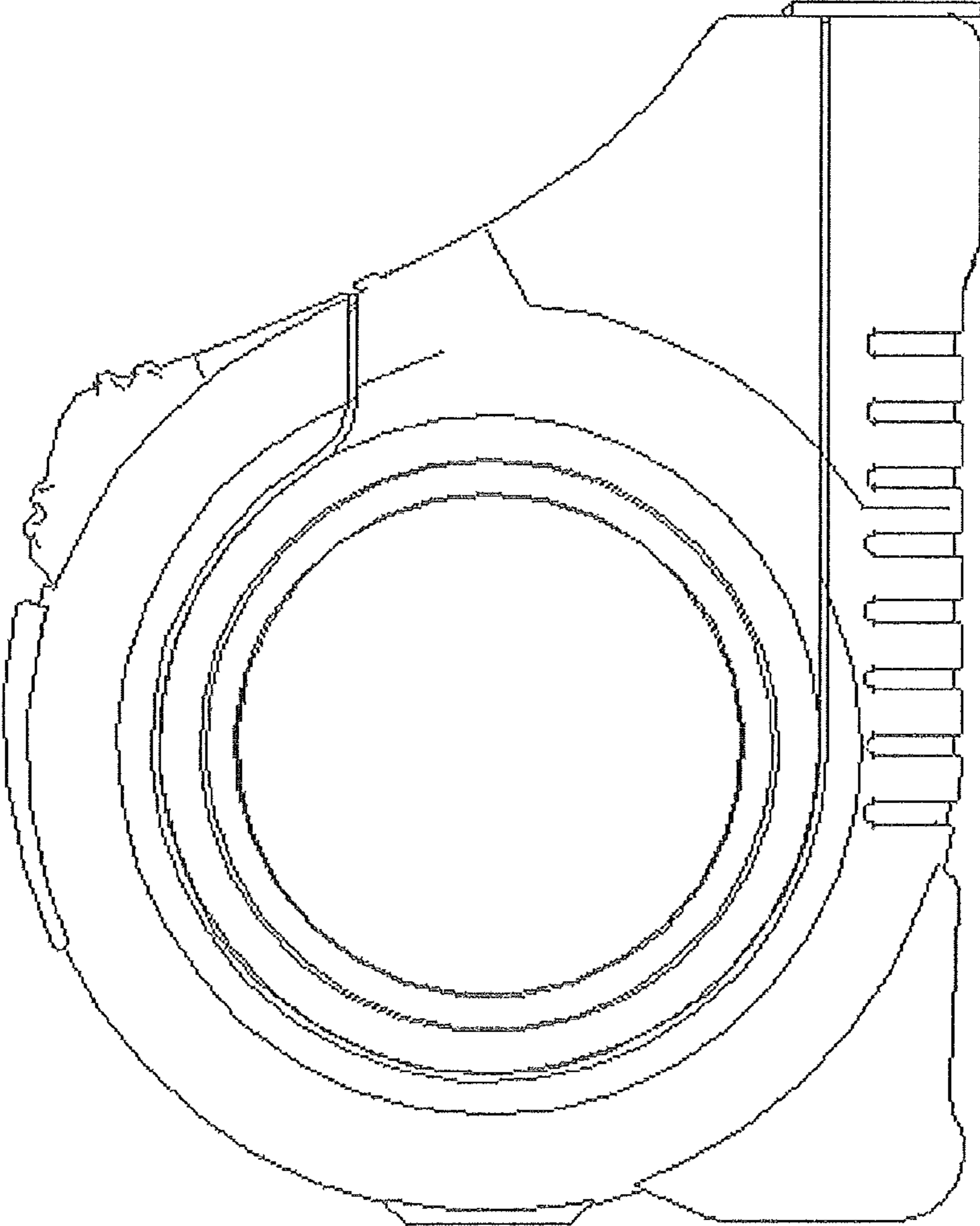


Fig 2

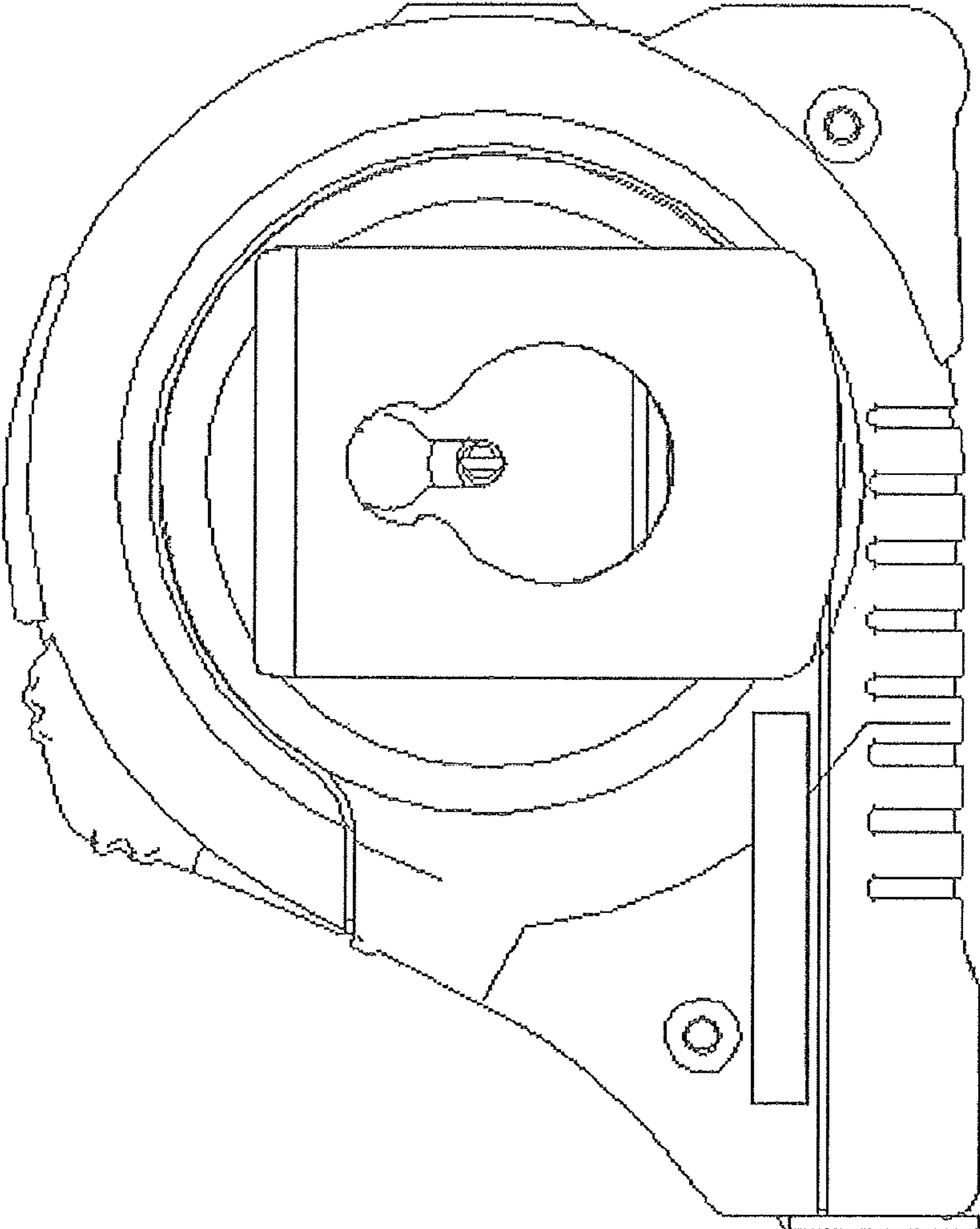


Fig 3

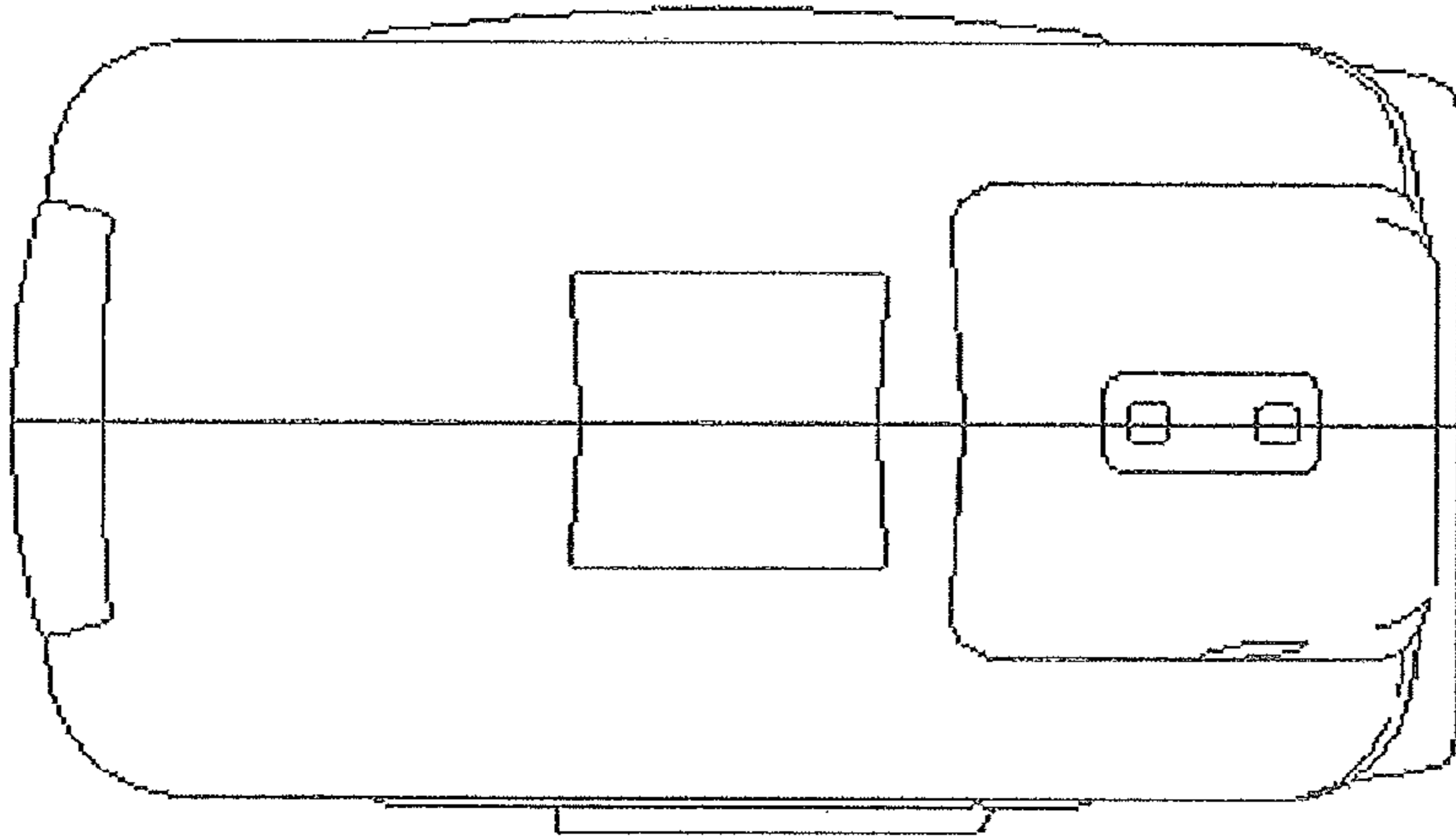


Fig 4

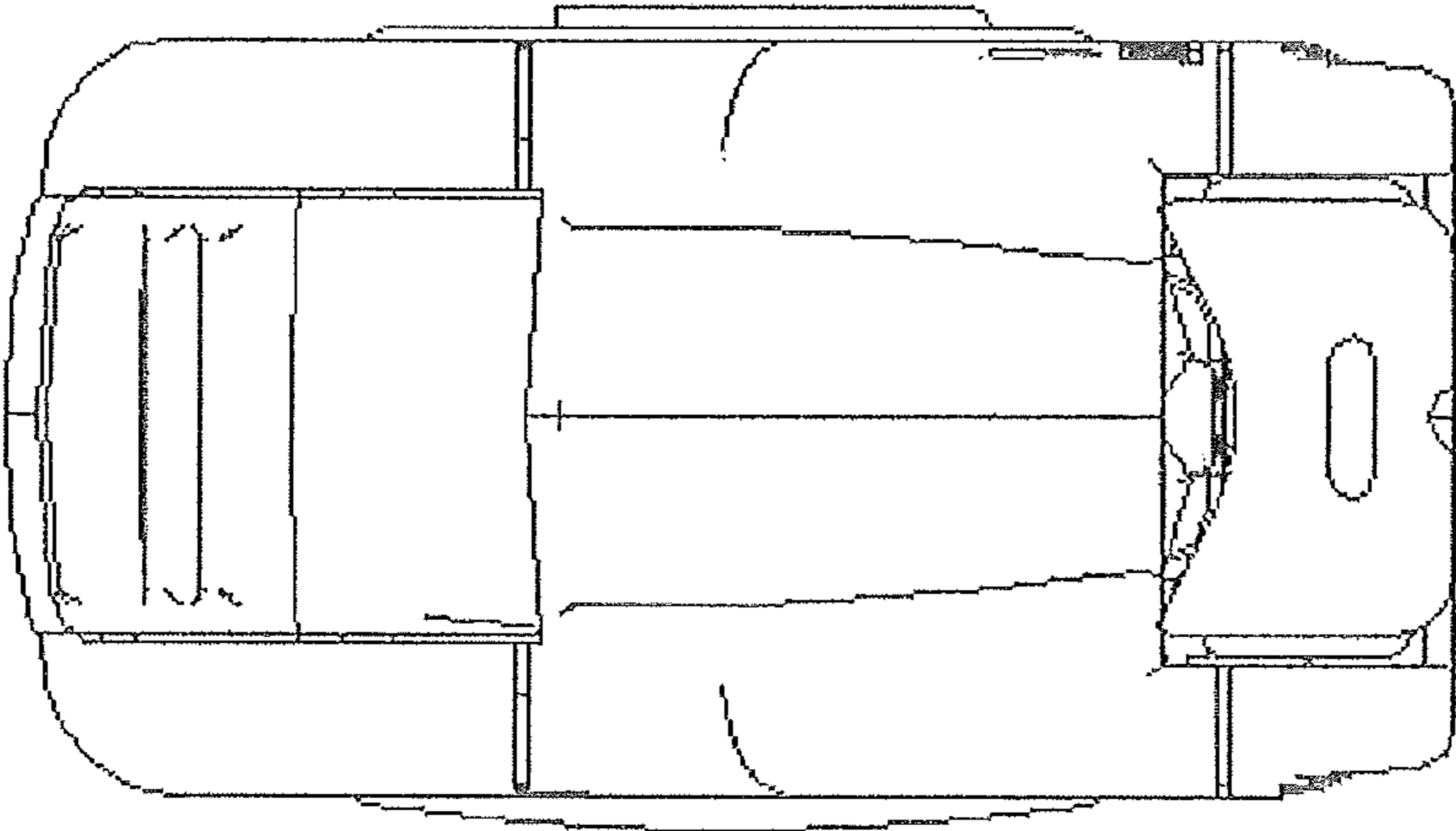


Fig 5

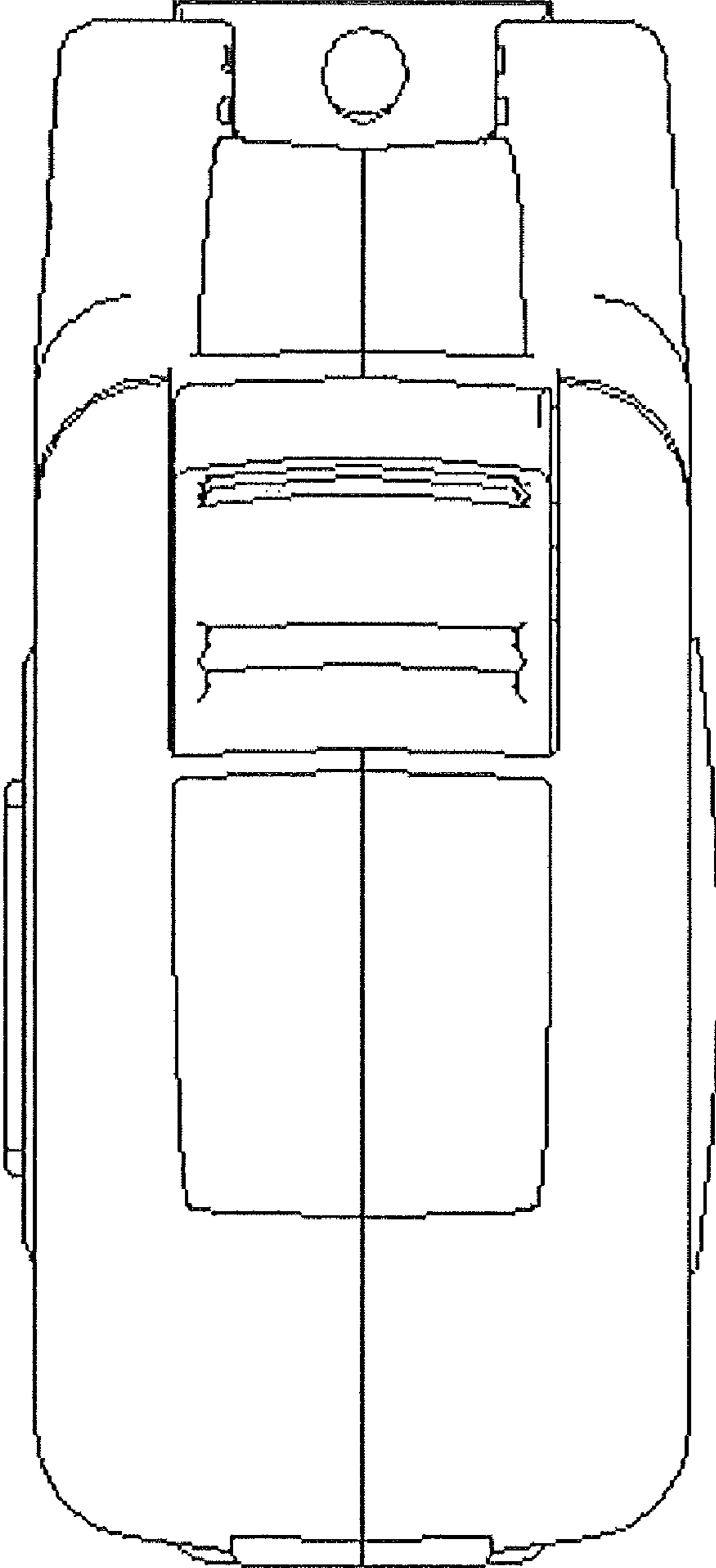


Fig 6

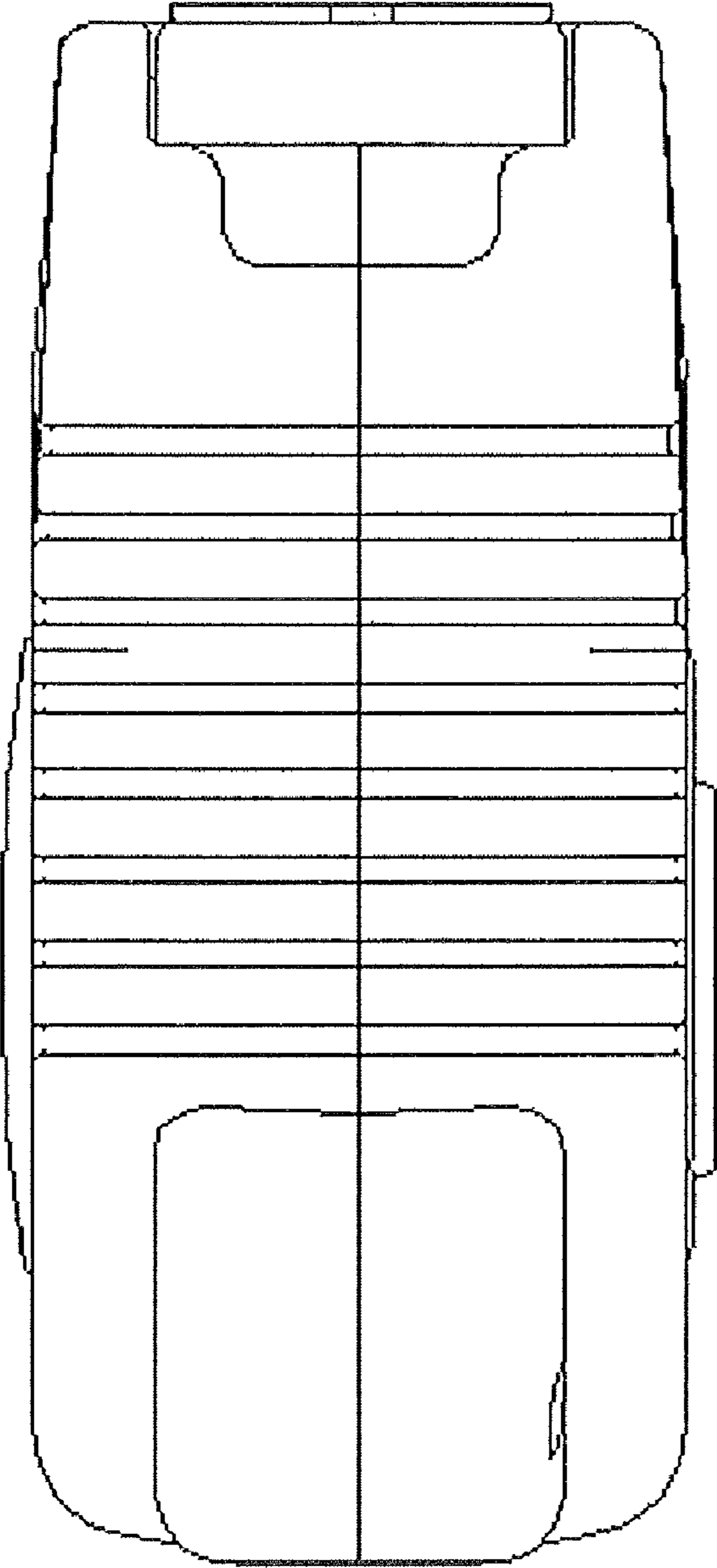


Fig 7