



US00D638726S

(12) **United States Design Patent**
Hagstrom et al.

(10) **Patent No.:** **US D638,726 S**

(45) **Date of Patent:** **** May 31, 2011**

(54) **MEASURE TAPE**

(75) Inventors: **Johan-Petter Hagstrom**, Hagersten (SE); **Johan Dahlberg**, Taby (SE); **Magnus Olsson**, Stockholm (SE)

(73) Assignee: **Kapman AB**, Sandviken (SE)

(**) Term: **14 Years**

(21) Appl. No.: **29/360,162**

(22) Filed: **Apr. 21, 2010**

(30) **Foreign Application Priority Data**

Oct. 23, 2009 (EM) 1627712-0001-0002

(51) **LOC (9) Cl.** **10-04**

(52) **U.S. Cl.** **D10/72**

(58) **Field of Classification Search** D10/72,
D10/74; 33/755-771; 242/285, 291, 379,
242/379.1, 379.2, 381, 381.1-381.6, 405
See application file for complete search history.

(56) **References Cited**

U.S. PATENT DOCUMENTS

D289,742 S * 5/1987 Blakely et al. D10/72
D311,874 S * 11/1990 Ingram et al. D10/72
D315,109 S * 3/1991 Ingram et al. D10/72

D392,197 S * 3/1998 Reynolds D10/65
D458,164 S * 6/2002 Loeffler D10/72
D470,427 S * 2/2003 Scurry D10/72
6,691,425 B1 * 2/2004 Lee et al. 33/759
D487,875 S * 3/2004 Wang D10/72
D503,639 S * 4/2005 Lin D10/72
2005/0252021 A1 * 11/2005 Kang 33/769

* cited by examiner

Primary Examiner — Antoine D Davis

(74) *Attorney, Agent, or Firm* — Buchanan Ingersoll & Rooney PC

(57) **CLAIM**

The ornamental design for a measure tape, as shown and described.

DESCRIPTION

FIG. 1 is a perspective view of a measure tape according to our new design.

FIG. 2 is a front elevation view thereof.

FIG. 3 is a rear elevational view thereof.

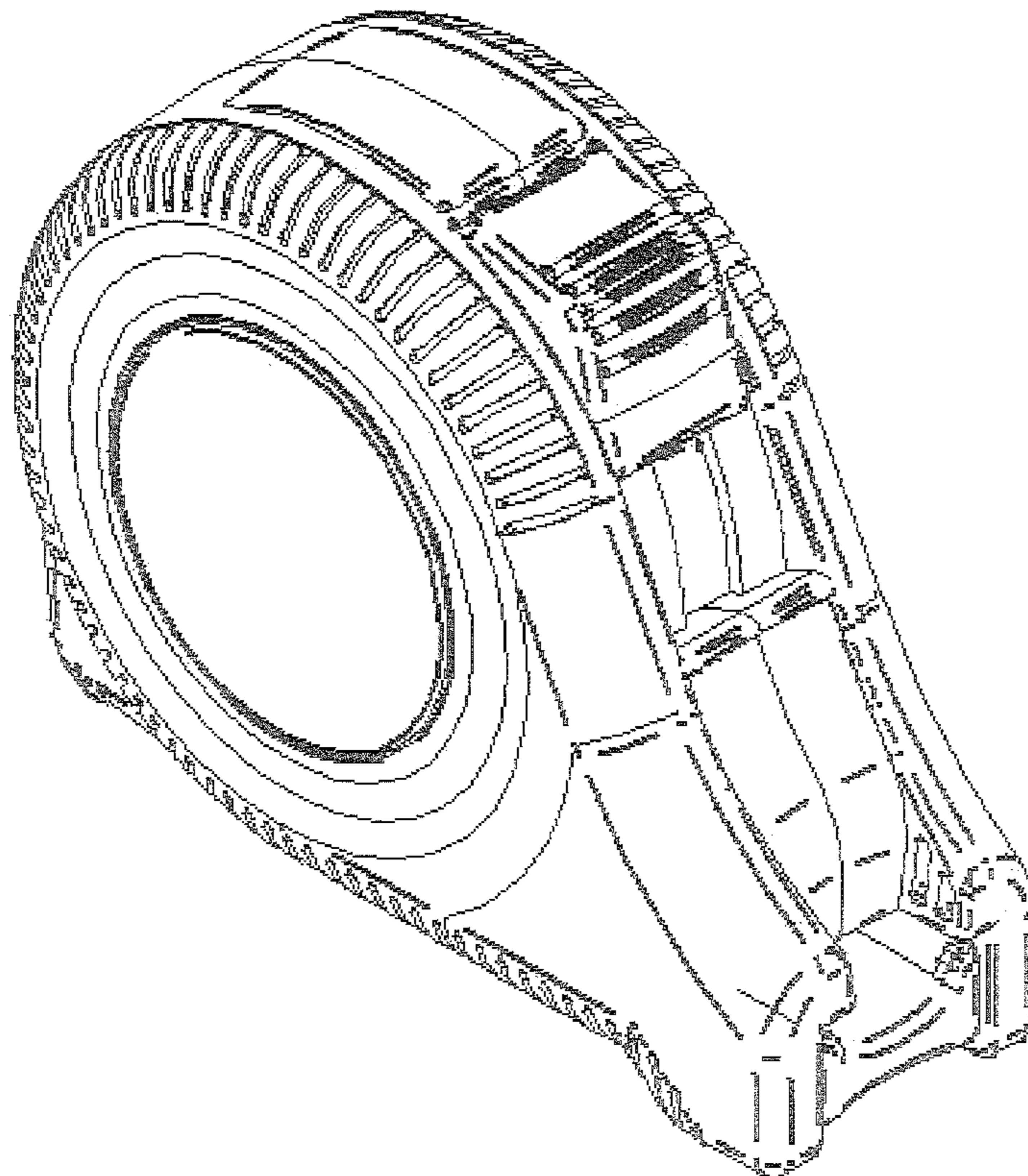
FIG. 4 is a left side elevational view thereof.

FIG. 5 is a right side elevational view thereof.

FIG. 6 is a top plan view thereof; and,

FIG. 7 is a bottom plan view thereof.

1 Claim, 7 Drawing Sheets



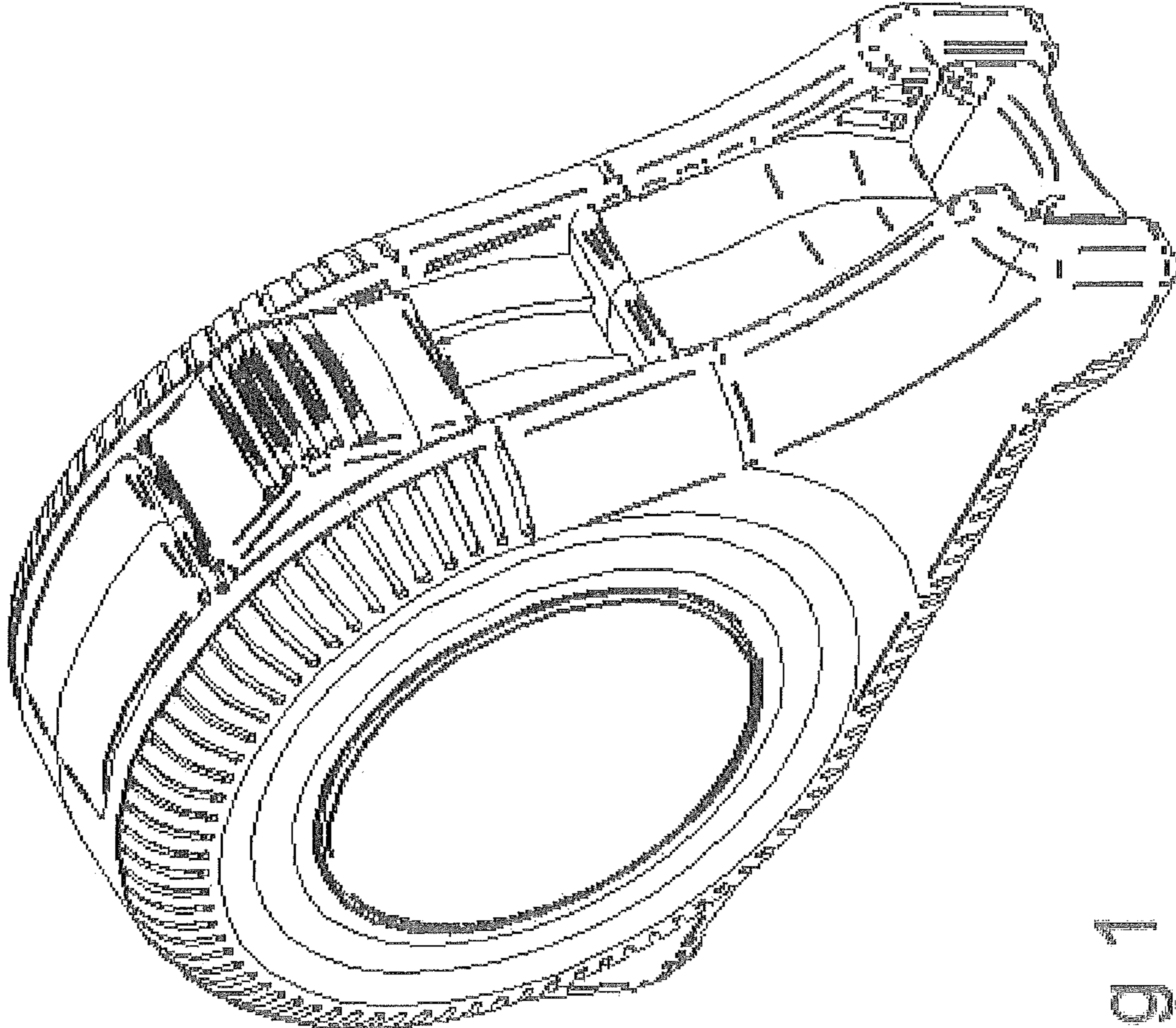


Fig 1

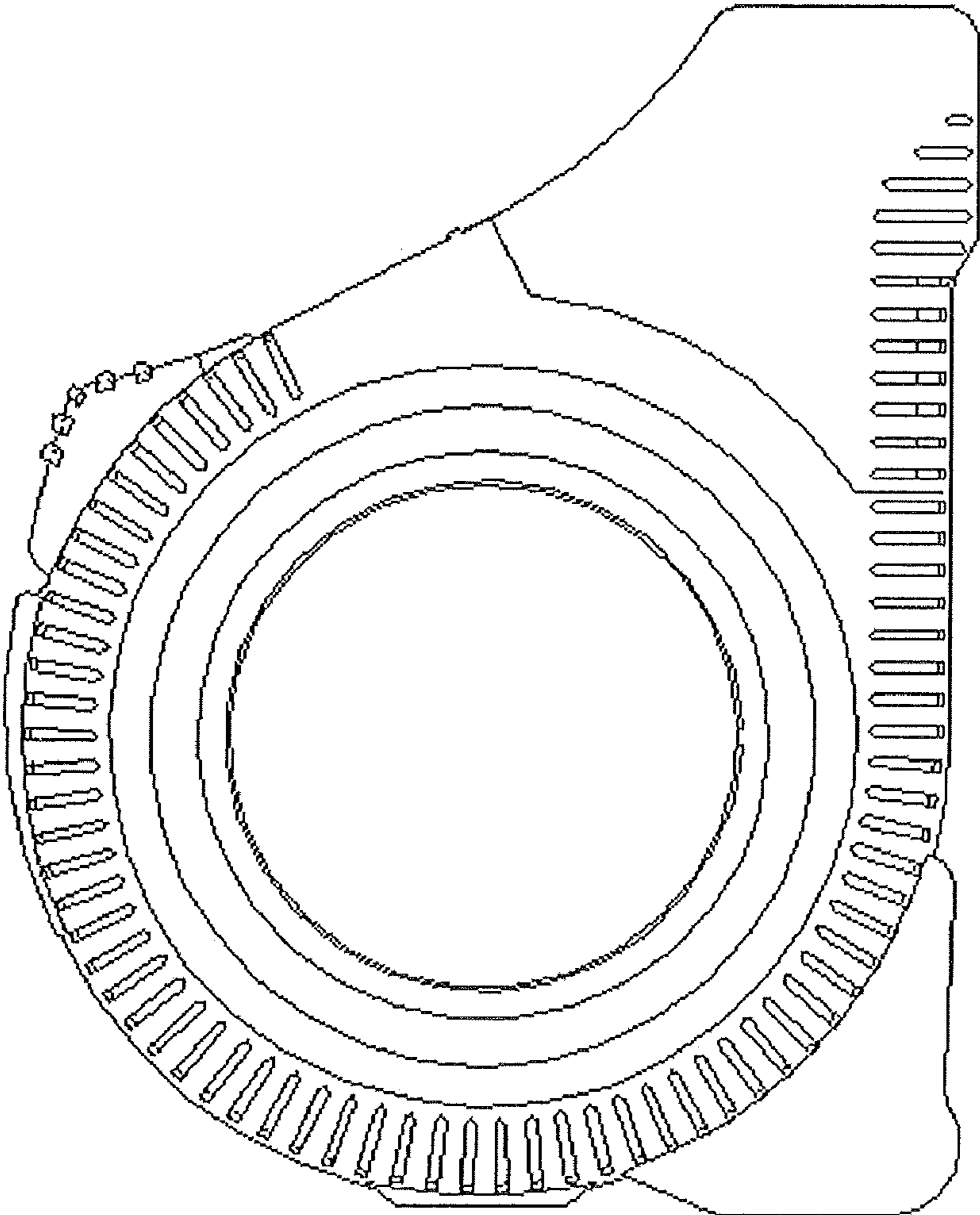


Fig 2

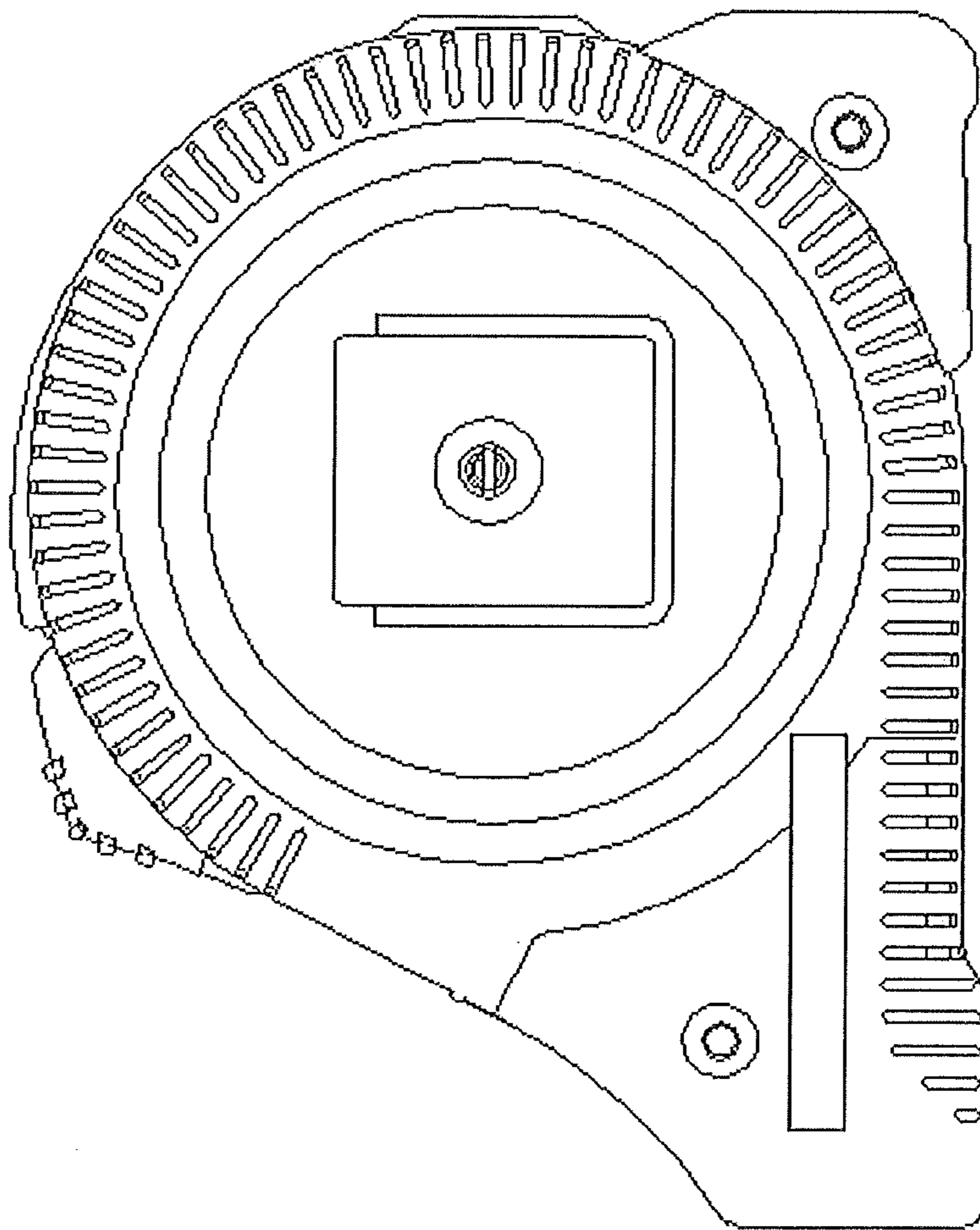


Fig 3

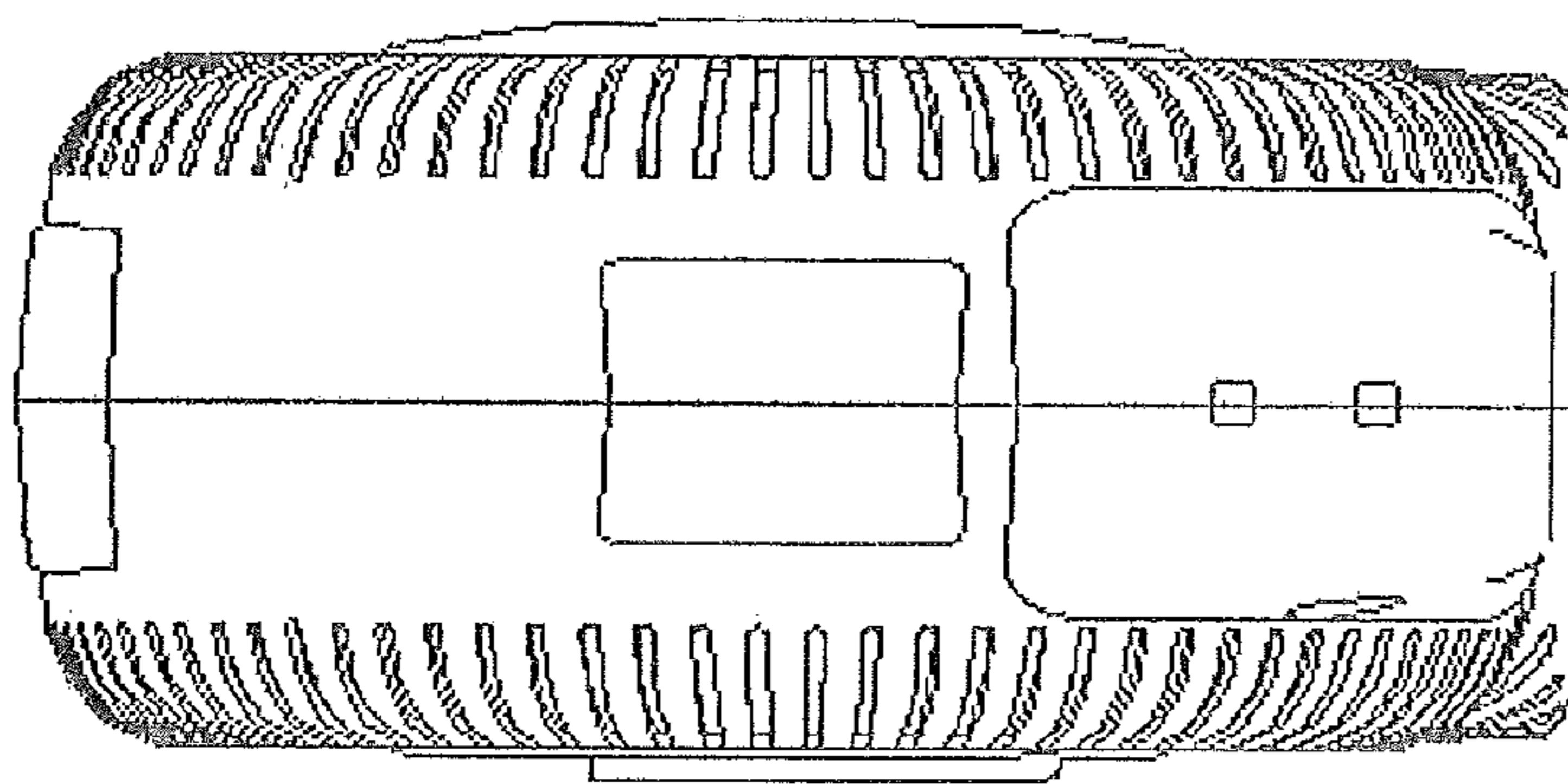


Fig 4

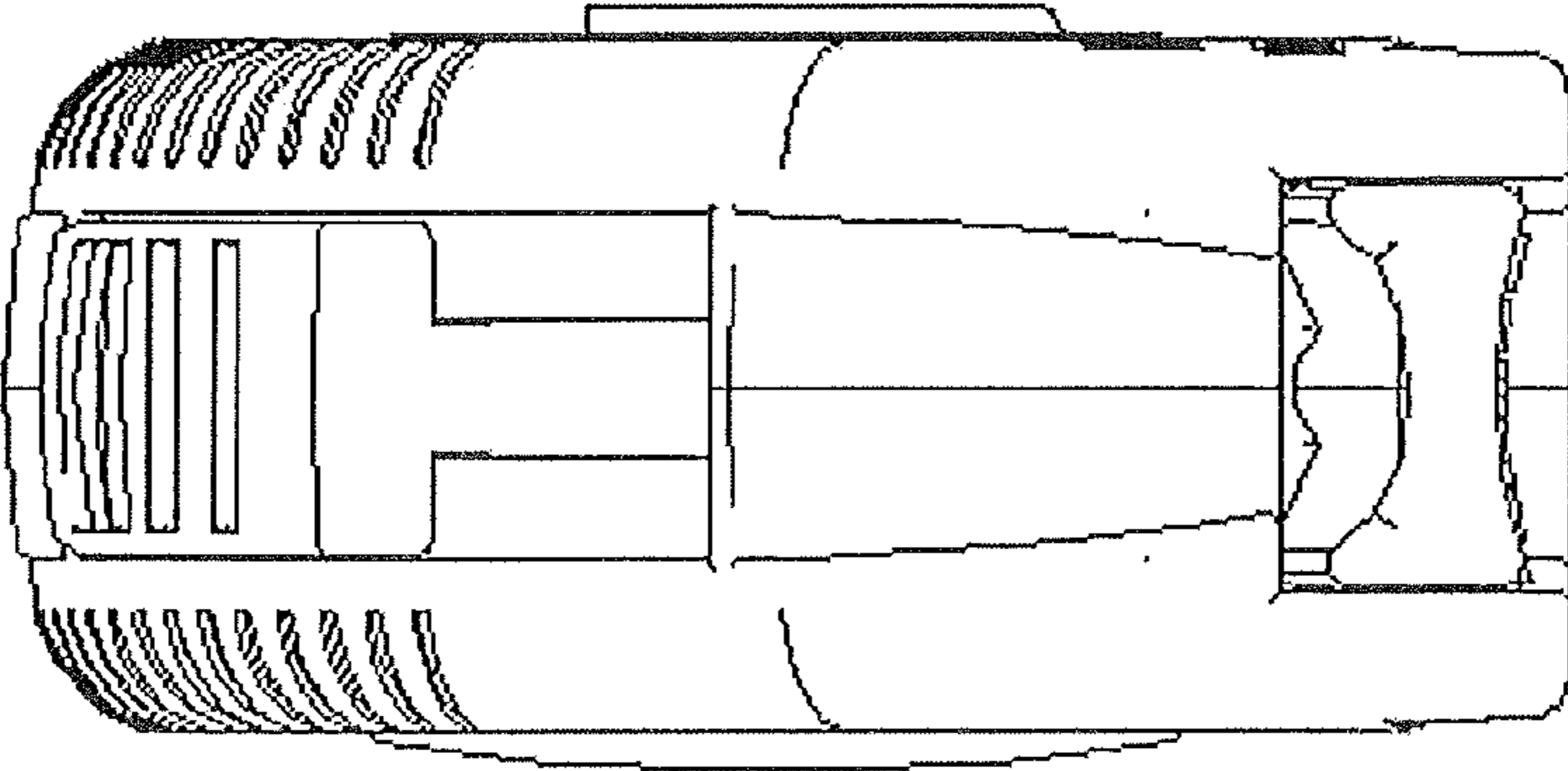


Fig 5

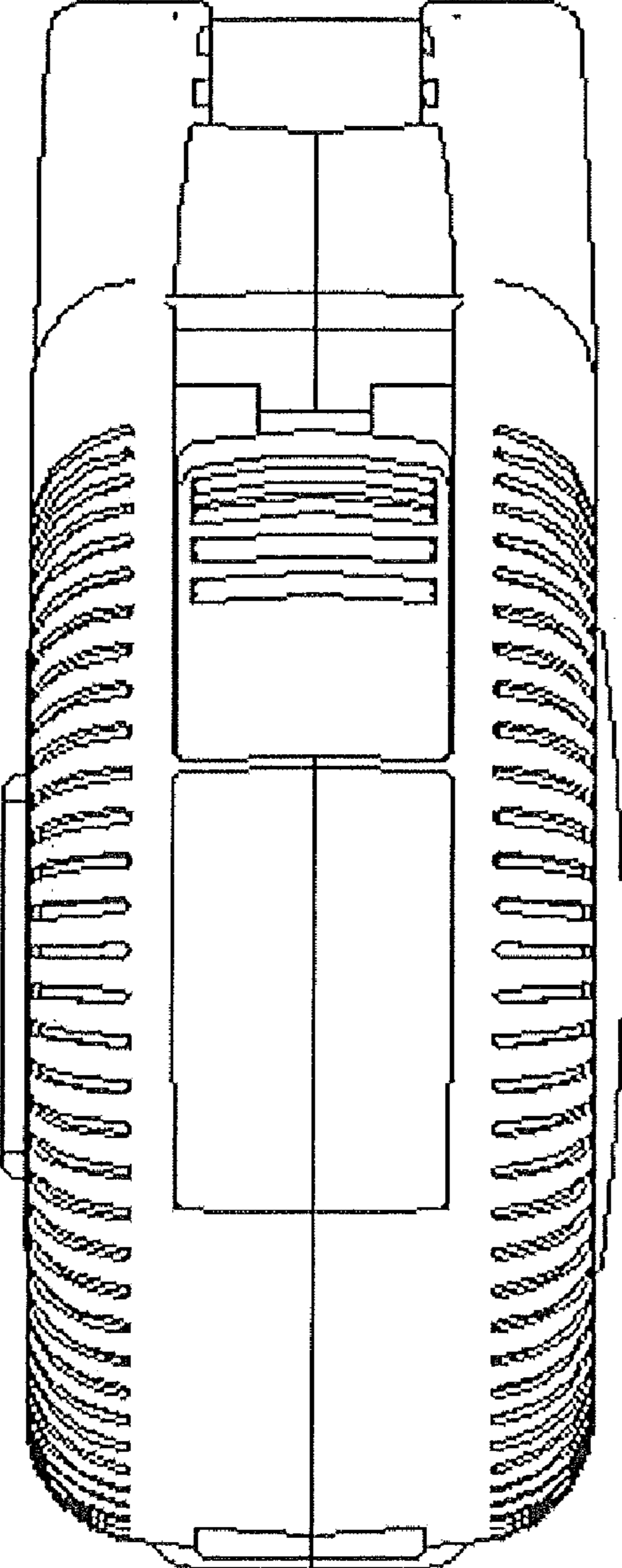


Fig 6

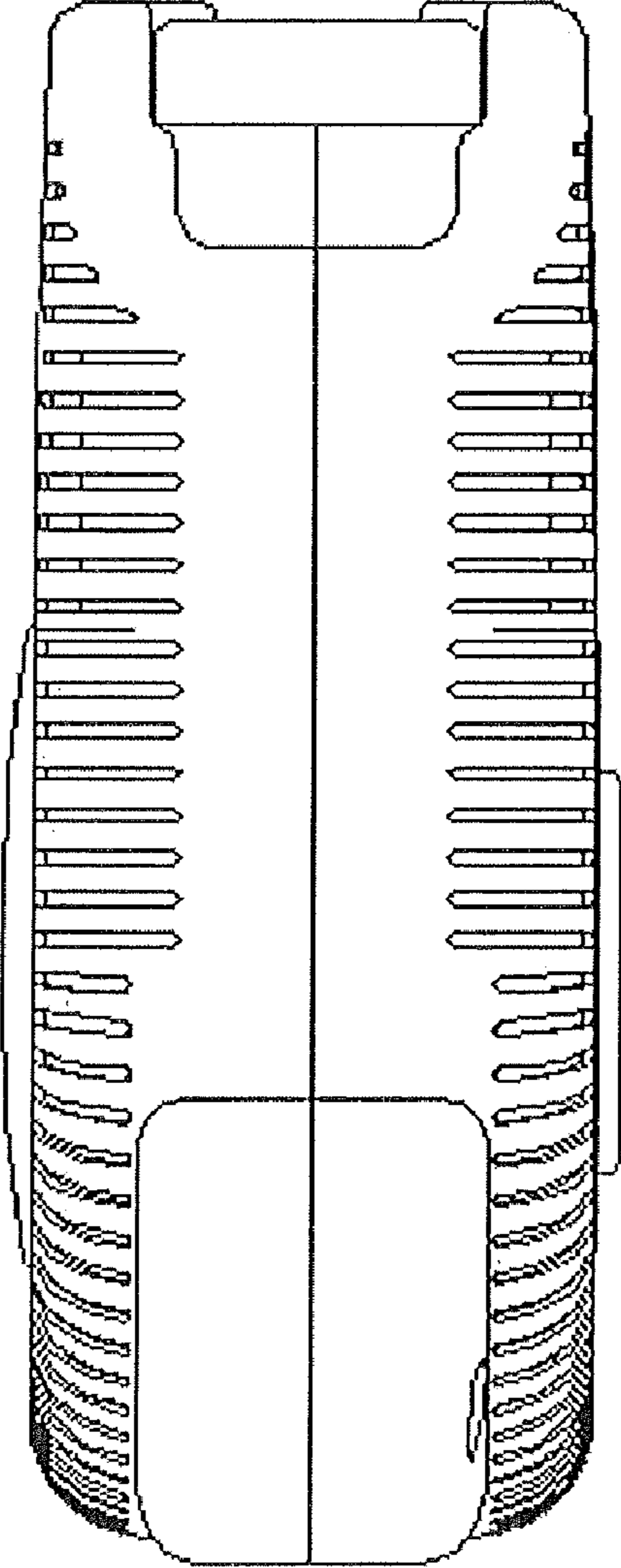


Fig 7