



US00D638722S

(12) **United States Design Patent**
Jacobs

(10) **Patent No.:** **US D638,722 S**

(45) **Date of Patent:** **** *May 31, 2011**

(54) **WRIST WATCH**

(75) Inventor: **Marc Jacobs**, Paris (FR)

(73) Assignee: **Louis Vuitton Mallietier**, Paris (FR)

(*) Notice: This patent is subject to a terminal disclaimer.

(**) Term: **14 Years**

(21) Appl. No.: **29/309,224**

(22) Filed: **Jul. 10, 2008**

(30) **Foreign Application Priority Data**

Feb. 13, 2008 (EP) 000877675-0001

(51) **LOC (9) Cl.** **10-02**

(52) **U.S. Cl.** **D10/32**

(58) **Field of Classification Search** D10/30-39,
D10/122-132; D11/3; 368/276, 281, 282,
368/285

See application file for complete search history.

(56) **References Cited**

U.S. PATENT DOCUMENTS

D92,787 S *	7/1934	Wade	D11/3
2,035,671 A *	3/1936	Sauer, Jr.	224/173
2,439,274 A *	4/1948	Spector	224/168
D303,635 S *	9/1989	Kurzina	D10/32
D351,799 S *	10/1994	Bulgari	D10/39
D377,914 S *	2/1997	Riley	D11/3
D377,915 S *	2/1997	Riley	D11/3
D379,940 S *	6/1997	Riley	D11/3
D380,970 S *	7/1997	Phillips et al.	D10/30

D391,866 S *	3/1998	Brzezinski	D10/32
D391,882 S *	3/1998	Roales	D11/3
D394,402 S *	5/1998	Riley	D10/32
D395,244 S *	6/1998	Riley	D10/32
D407,334 S *	3/1999	Stoll	D10/32
D414,706 S *	10/1999	Jorst	D10/32
D473,802 S *	4/2003	Berliat	D10/39
D494,070 S *	8/2004	Debetaz	D10/32
D500,684 S *	1/2005	Peraldi	D10/39
D524,172 S *	7/2006	Monachon	D10/32
D538,183 S *	3/2007	Lassigne	D10/32
D539,671 S *	4/2007	Lassigne	D10/32
D542,159 S *	5/2007	Junod	D10/38
D568,181 S *	5/2008	Rabassa	D10/39
D577,610 S *	9/2008	Emch Ducommun	D10/32
D578,022 S *	10/2008	Salemi	D10/32
D588,945 S *	3/2009	Arabo	D10/39

* cited by examiner

Primary Examiner — Lucy Lieberman

(74) *Attorney, Agent, or Firm* — Finnegan, Henderson, Farabow, Garrett, and Dunner, LLP

(57) **CLAIM**

The ornamental design for a wrist watch, as shown and described.

DESCRIPTION

FIG. 1 is a bottom plan view of a wrist watch of my new design;

FIG. 2 is a top plan view thereof;

FIG. 3 is a rear view thereof;

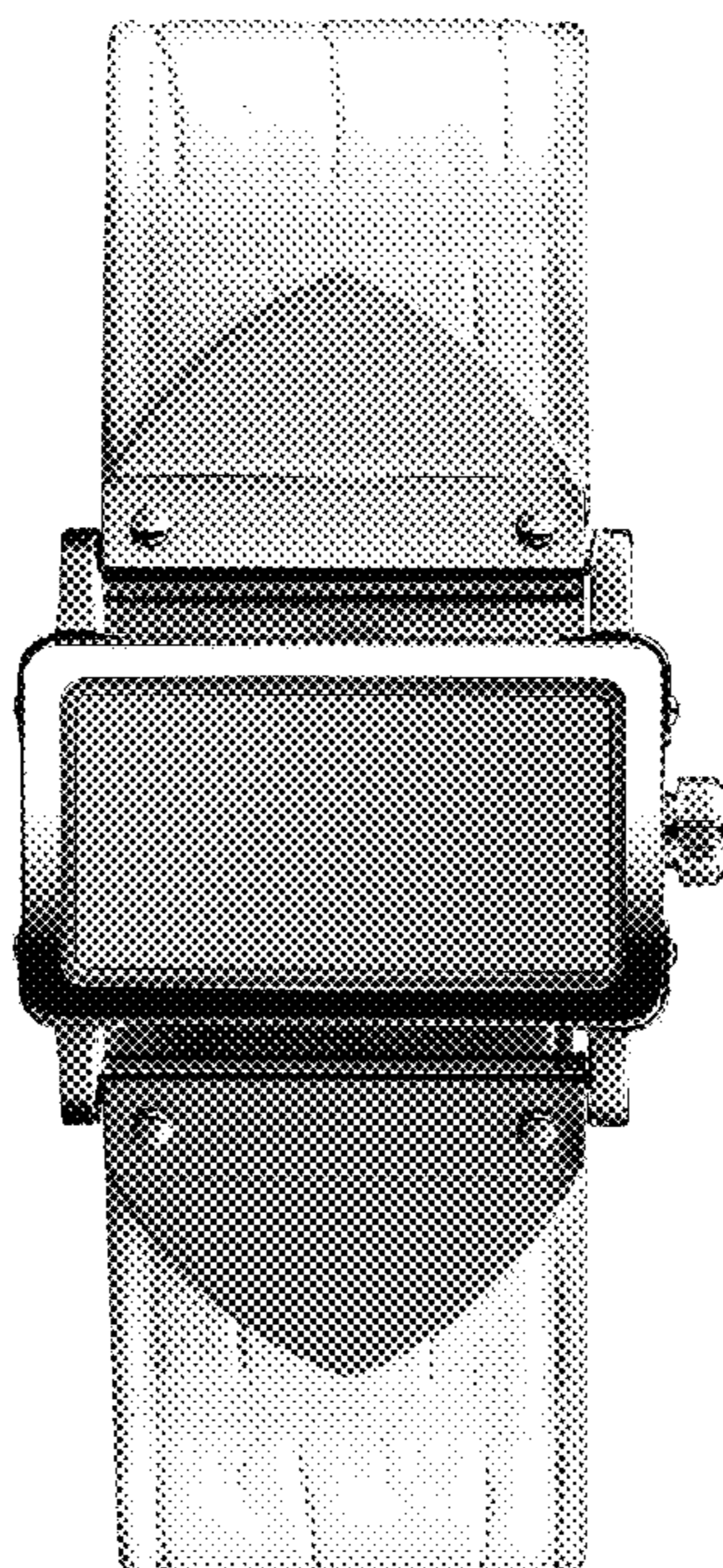
FIG. 4 is a top perspective view thereof;

FIG. 5 is a front view thereof;

FIG. 6 is a first side view thereof; and,

FIG. 7 is a second side view, opposite that of FIG. 6.

1 Claim, 6 Drawing Sheets



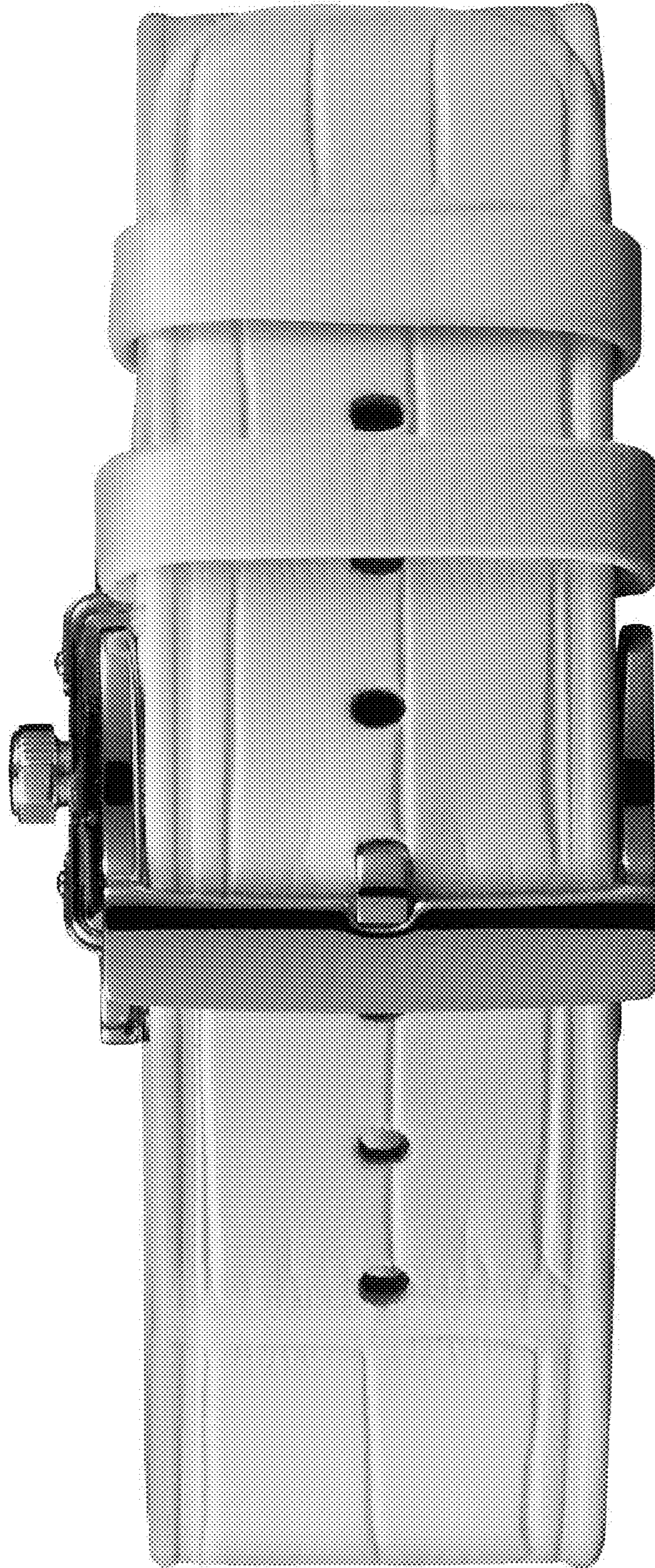


FIG. 1

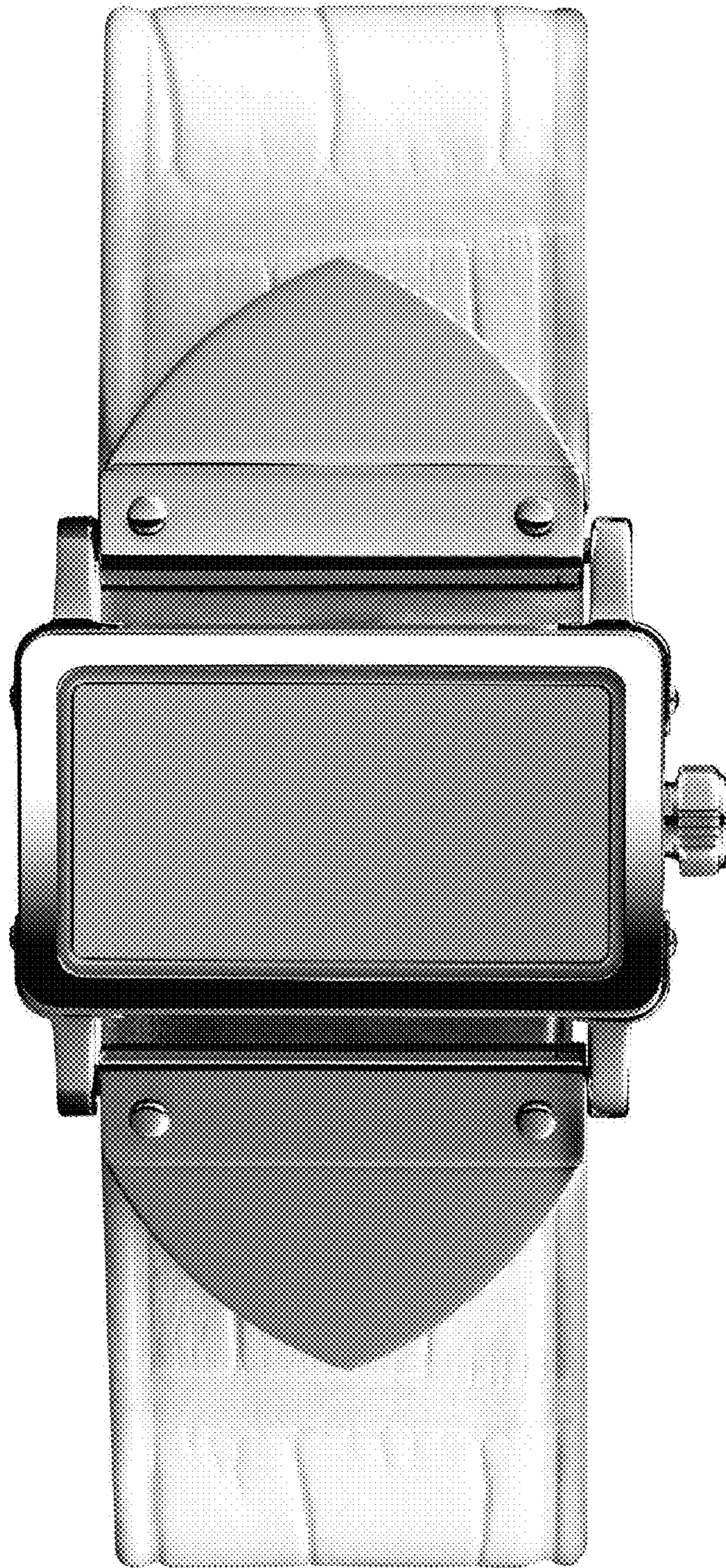


FIG. 2



FIG. 3



FIG. 4



FIG. 5

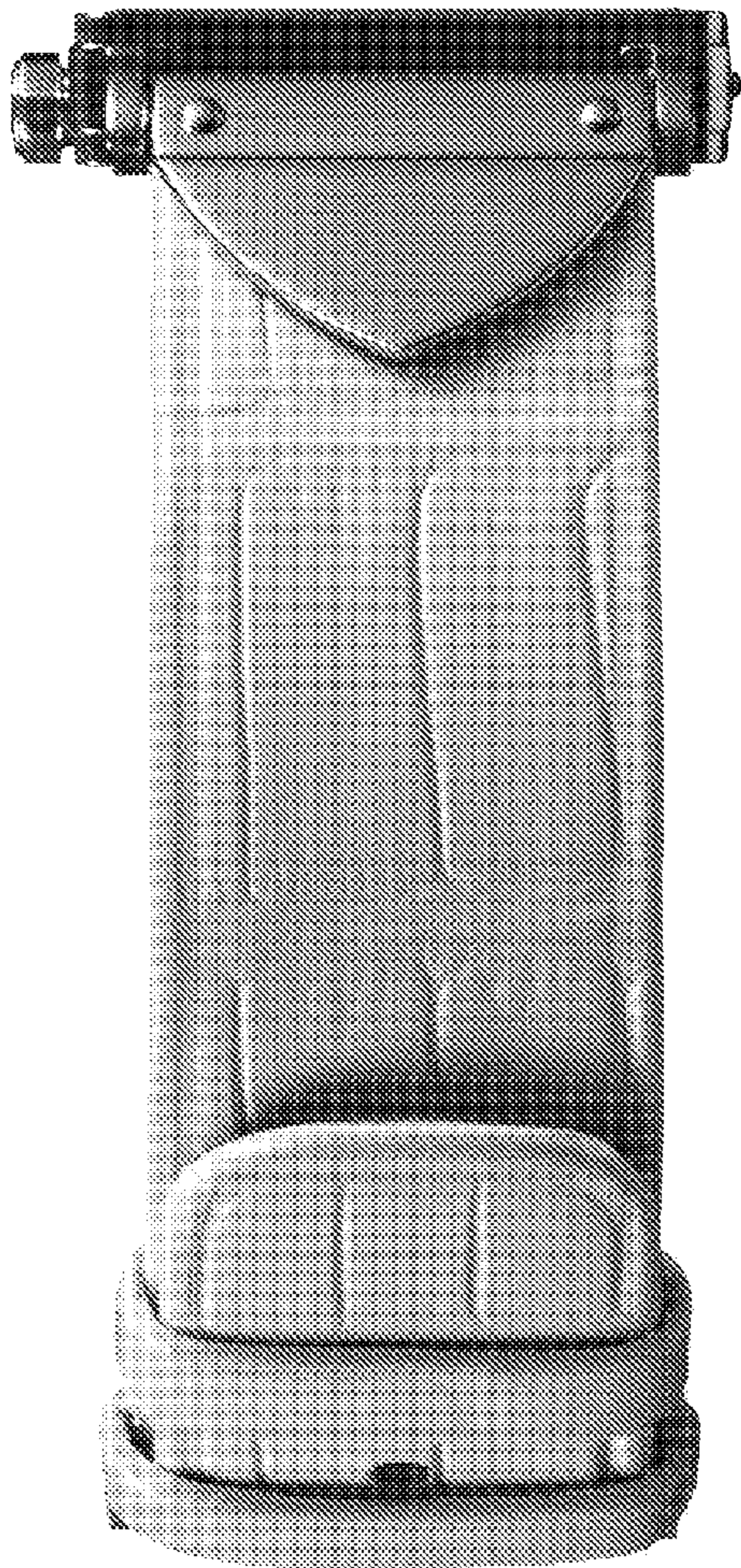


FIG. 6

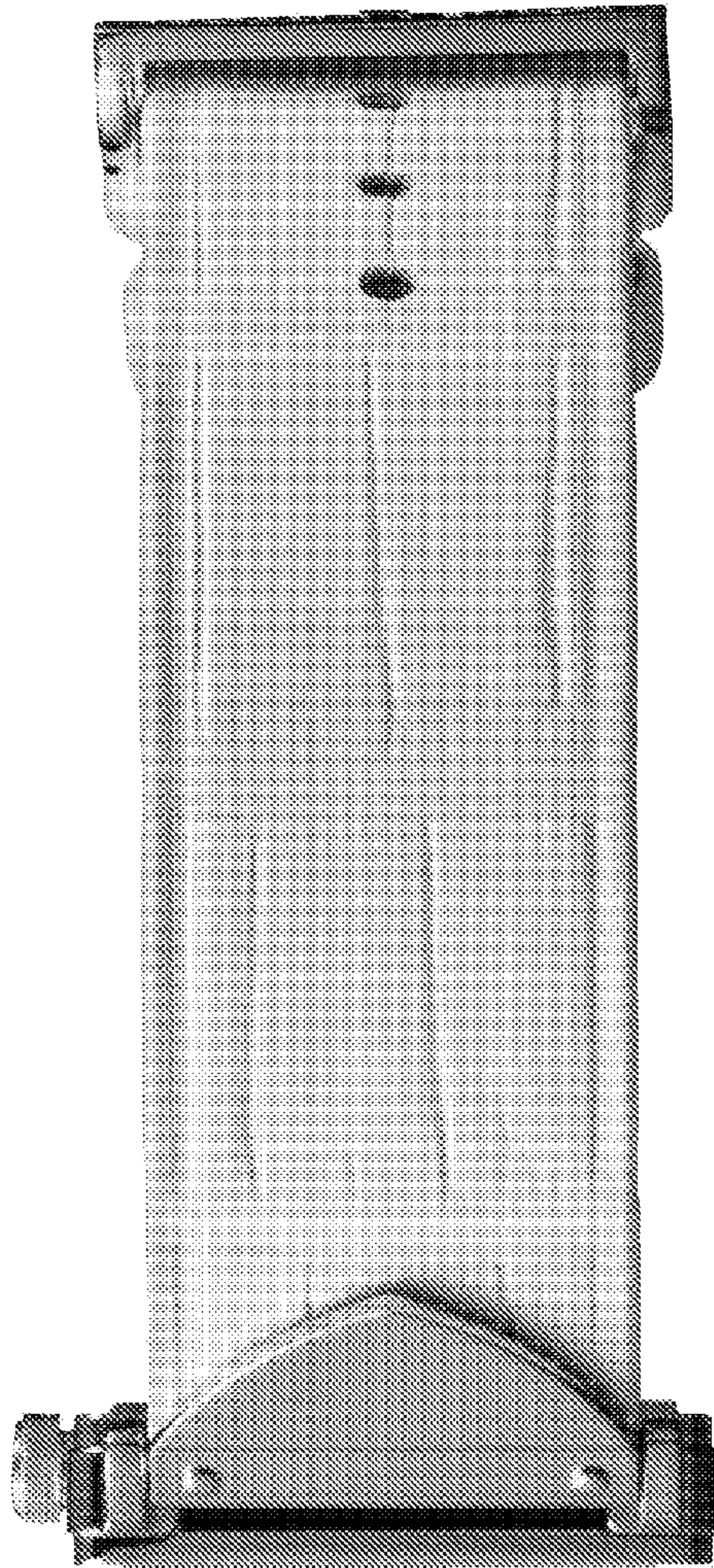


FIG. 7

UNITED STATES PATENT AND TRADEMARK OFFICE
CERTIFICATE OF CORRECTION

PATENT NO. : D638,722 S
APPLICATION NO. : 29/309224
DATED : May 31, 2011
INVENTOR(S) : Marc Jacobs

Page 1 of 1

It is certified that error appears in the above-identified patent and that said Letters Patent is hereby corrected as shown below:

Title page, item (73) (“Assignee”)

“Louis Vuitton Mallietier” should read -- Louis Vuitton Malletier --.

Signed and Sealed this
Ninth Day of August, 2011

A handwritten signature in black ink that reads "David J. Kappos". The signature is written in a cursive style with a large, prominent "D" and "K".

David J. Kappos
Director of the United States Patent and Trademark Office