



US00D638717S

(12) **United States Design Patent**
Schulman et al.

(10) **Patent No.:** **US D638,717 S**

(45) **Date of Patent:** **** *May 31, 2011**

(54) **LIQUID CONTAINER**

(75) Inventors: **Bradley S. Schulman**, Glencoe, IL (US); **Andrew Edmund Kerley**, Ridgeway, CO (US)

(73) Assignee: **Green Planet Holdings, Inc.**, Chicago, IL (US)

(**) Term: **14 Years**

(21) Appl. No.: **29/342,676**

(22) Filed: **Aug. 28, 2009**

(51) **LOC (9) Cl.** **09-01**

(52) **U.S. Cl.** **D9/542; D9/569; D9/571; D9/574; D9/559**

(58) **Field of Classification Search** D9/434, D9/435, 452, 453, 454, 516, 520, 529, 545, D9/546, 549, 550, 551, 556, 558, 559, 563, D9/569, 571, 574, 530, 537-543; 215/381-385, 215/379; 220/600, 608, 660, 669, 675

See application file for complete search history.

(56) **References Cited**

U.S. PATENT DOCUMENTS

D7,606 S	8/1874	Gruning	
D20,830 S *	6/1891	Heinz	D9/546
D64,125 S *	3/1924	Miller	D9/556
D114,557 S *	5/1939	Nitardy	D9/559
2,680,441 A *	6/1954	Krammer	604/217
D191,641 S *	10/1961	Du Pree	D9/541
D213,545 S	3/1969	Koenigsberg	
3,468,443 A	9/1969	Marcus	
D258,570 S	3/1981	Pettengill	
D261,985 S	11/1981	Fowles et al.	
D264,685 S	6/1982	Ducros	
4,749,092 A	6/1988	Sugiura et al.	
4,850,493 A	7/1989	Howard, Jr.	
4,850,494 A	7/1989	Howard, Jr.	
4,894,268 A	1/1990	Greenwood et al.	

5,005,716 A	4/1991	Eberle	
D337,522 S	7/1993	Kingsbury	
5,236,097 A	8/1993	Behm et al.	
D353,776 S *	12/1994	Woods	D9/553
5,407,086 A	4/1995	Ota et al.	
D367,613 S *	3/1996	Weiler	D9/520
5,503,283 A	4/1996	Semersky	
D370,634 S *	6/1996	Mero et al.	D9/538

(Continued)

FOREIGN PATENT DOCUMENTS

DE 198 02 718 7/1999

(Continued)

OTHER PUBLICATIONS

International Search Report and Written Opinion for PCT/US2010/032256, 13 pgs.

Primary Examiner — Stella Reid

Assistant Examiner — Elizabeth J Oswecki

(74) *Attorney, Agent, or Firm* — Brinks Hofer Gilson & Lione

(57) **CLAIM**

The ornamental design for a liquid container, as shown and described.

DESCRIPTION

FIG. 1 is a top, perspective view of a liquid container showing our new design;

FIG. 2 is a side elevational view thereof, the opposite side being a mirror image thereof;

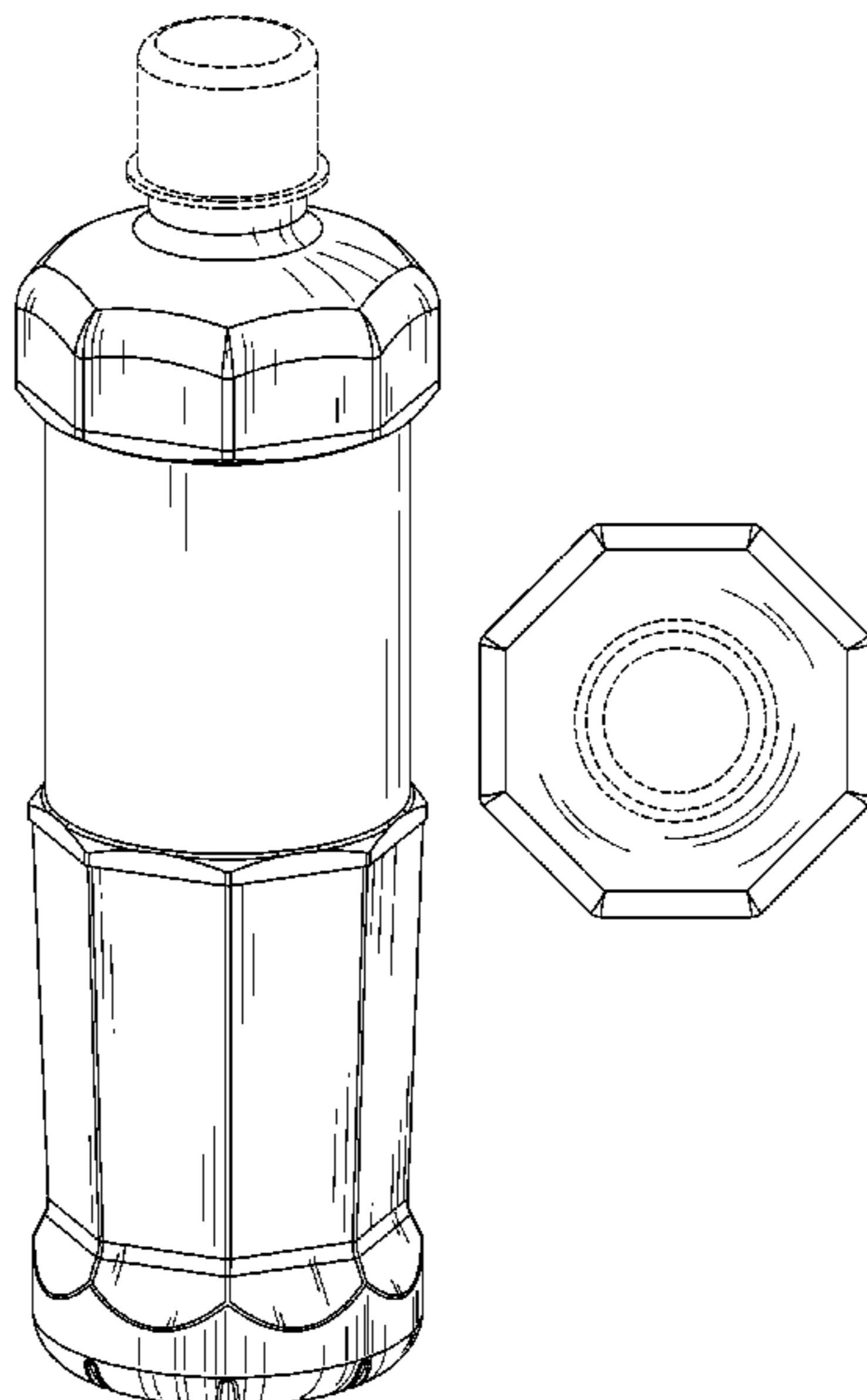
FIG. 3 is a top plan view thereof;

FIG. 4 is a bottom plan view thereof; and,

FIG. 5 is a bottom perspective view thereof.

The broken lines shown in the drawings are for illustrative purposes only and form no part of the claimed design. All sides not shown form no part of the claimed design.

1 Claim, 3 Drawing Sheets



US D638,717 S

Page 2

U.S. PATENT DOCUMENTS

D391,492 S 3/1998 Pang
5,740,934 A 4/1998 Brady
D397,531 S * 8/1998 Huff D30/132
6,065,624 A 5/2000 Steinke
6,095,360 A 8/2000 Shmagin et al.
D437,233 S 2/2001 Gibert
D464,572 S * 10/2002 Markus D9/569
D467,507 S * 12/2002 Bryant et al. D9/570
D470,058 S * 2/2003 Bryant et al. D9/572
6,550,627 B2 4/2003 Elich et al.
D480,315 S * 10/2003 Sadeghi et al. D9/538
6,763,969 B1 7/2004 Melrose et al.
7,025,219 B2 4/2006 Heisner et al.
7,066,345 B2 6/2006 Itokawa et al.
D538,169 S 3/2007 Nosselbock
D542,136 S * 5/2007 Lilico D9/520
D544,796 S 6/2007 Stoddard
D557,138 S 12/2007 Boukobza
D574,716 S * 8/2008 Kruparova D9/542

D580,271 S 11/2008 Tsai
D581,803 S 12/2008 Lepoitevin
D583,247 S * 12/2008 DeFina D9/546
7,469,796 B2 12/2008 Kamineni et al.
D598,779 S * 8/2009 Lepoitevin D9/553
D600,122 S * 9/2009 Strasser et al. D9/516
D605,948 S * 12/2009 Sposato D9/546
D608,652 S * 1/2010 Eisen D9/546
D627,234 S * 11/2010 Hanak D9/668
D628,085 S * 11/2010 Hanak D9/668
2002/0148841 A1 10/2002 Elich et al.
2005/0211661 A1 9/2005 Galownia et al.
2007/0084822 A1 4/2007 Bohlen et al.
2009/0014407 A1 1/2009 Strasser et al.
2009/0065468 A1 * 3/2009 Hata et al. 215/383

FOREIGN PATENT DOCUMENTS

DE 10 2007 029296 12/2008

* cited by examiner

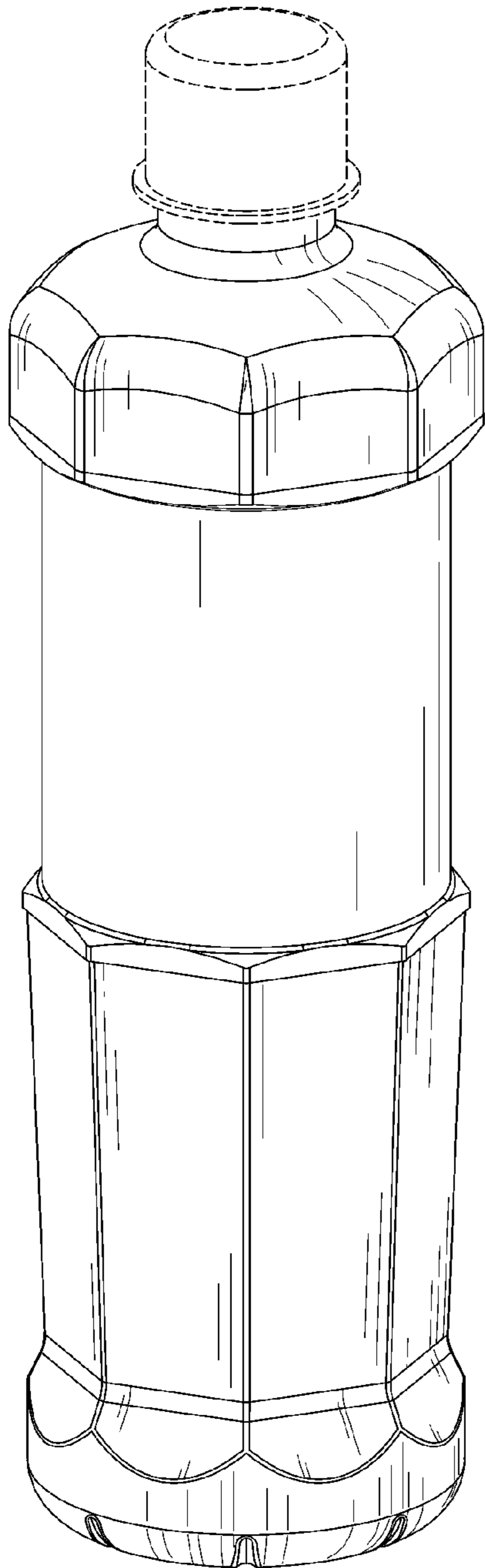


FIG. 1

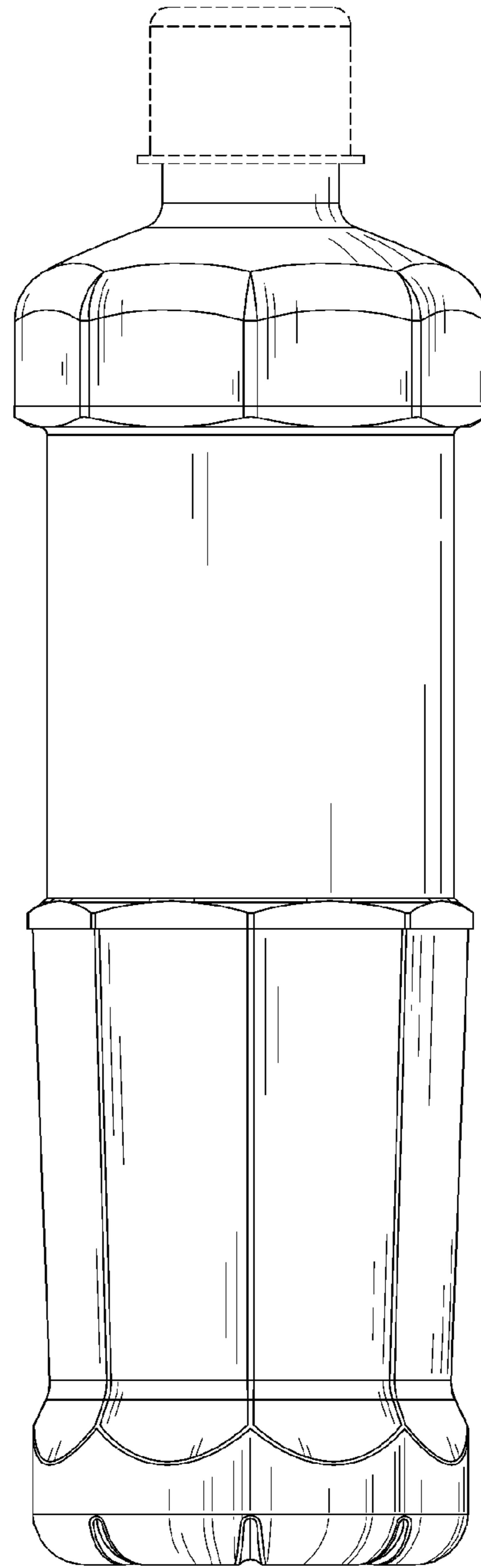


FIG. 2

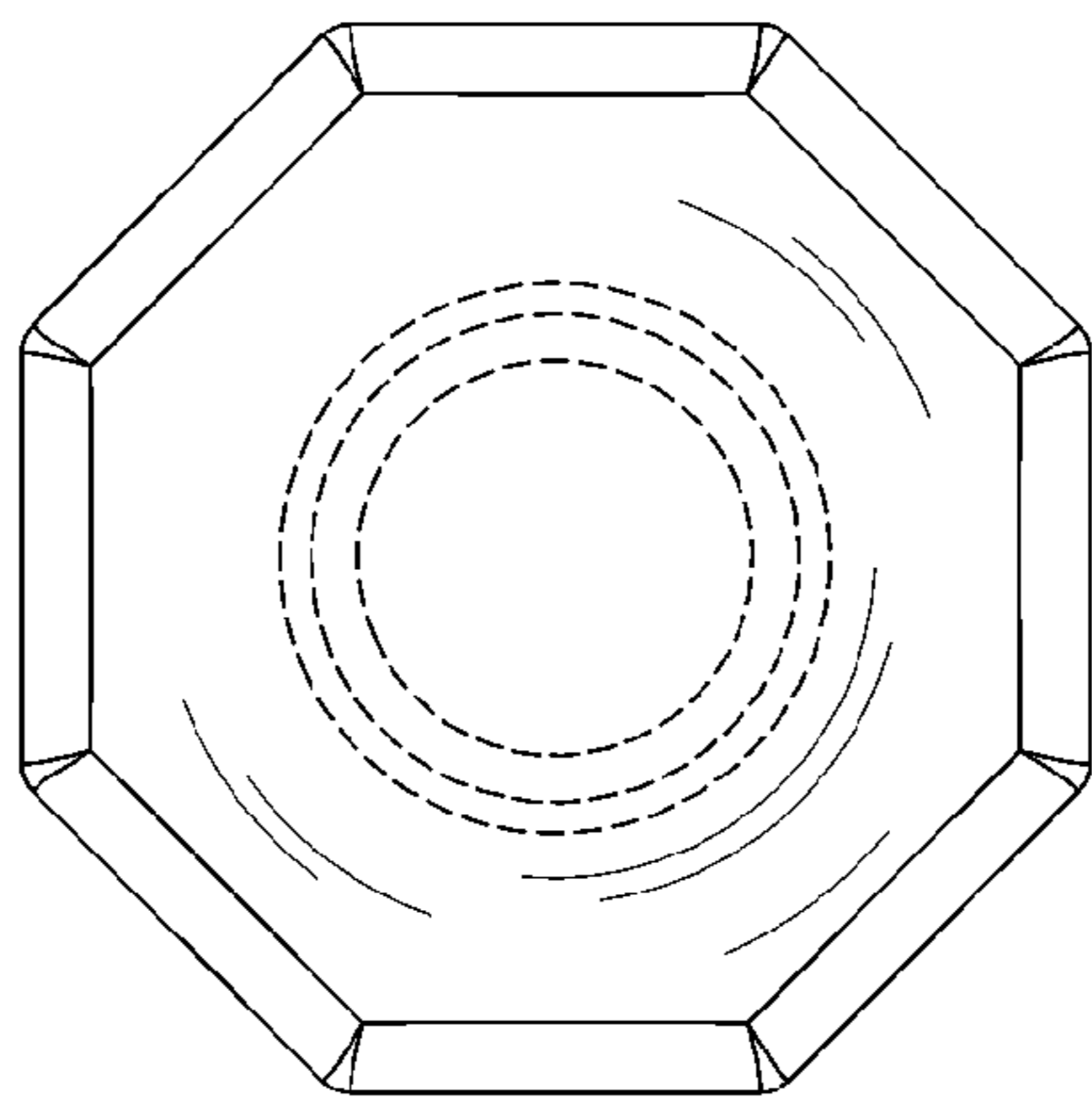


FIG. 3

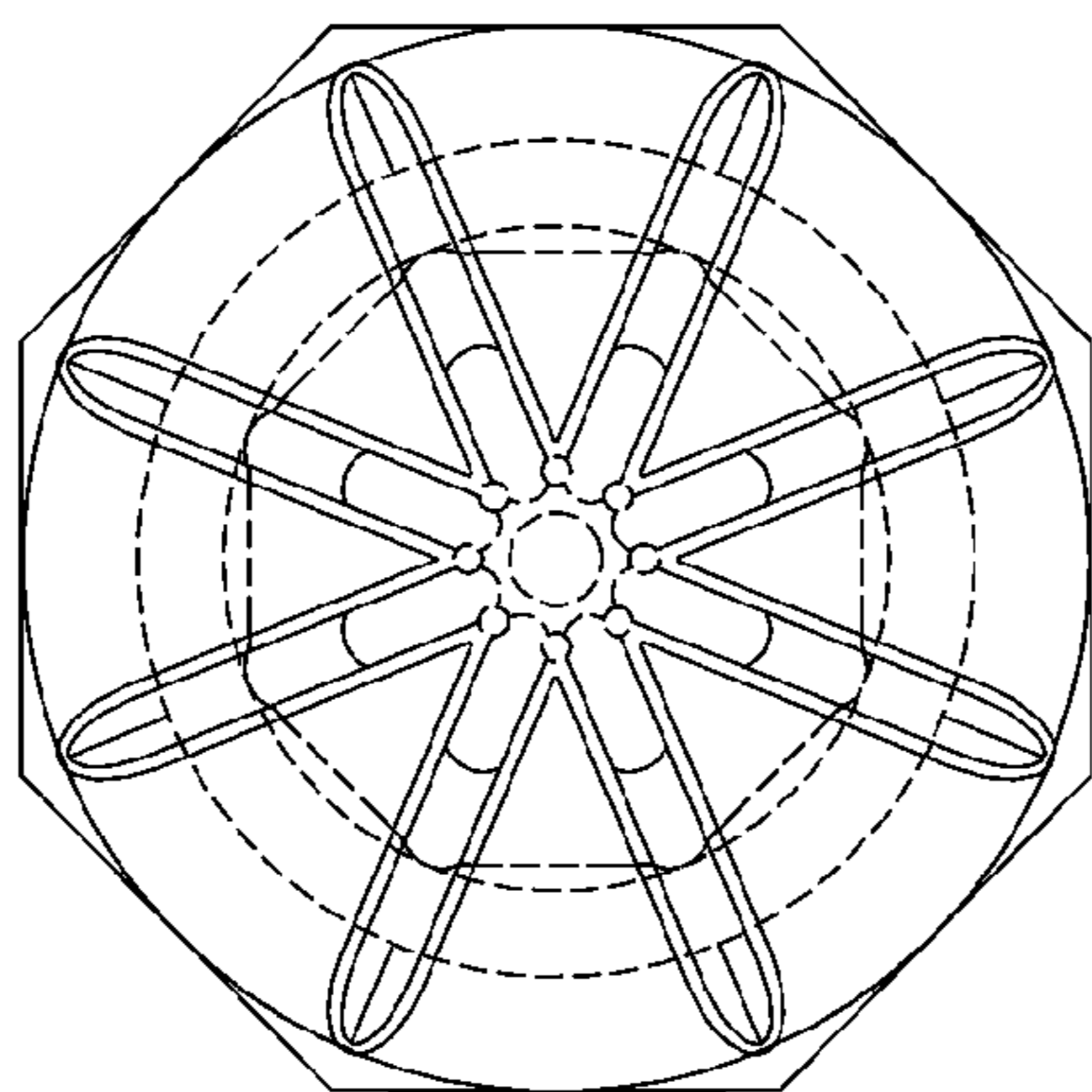


FIG. 4

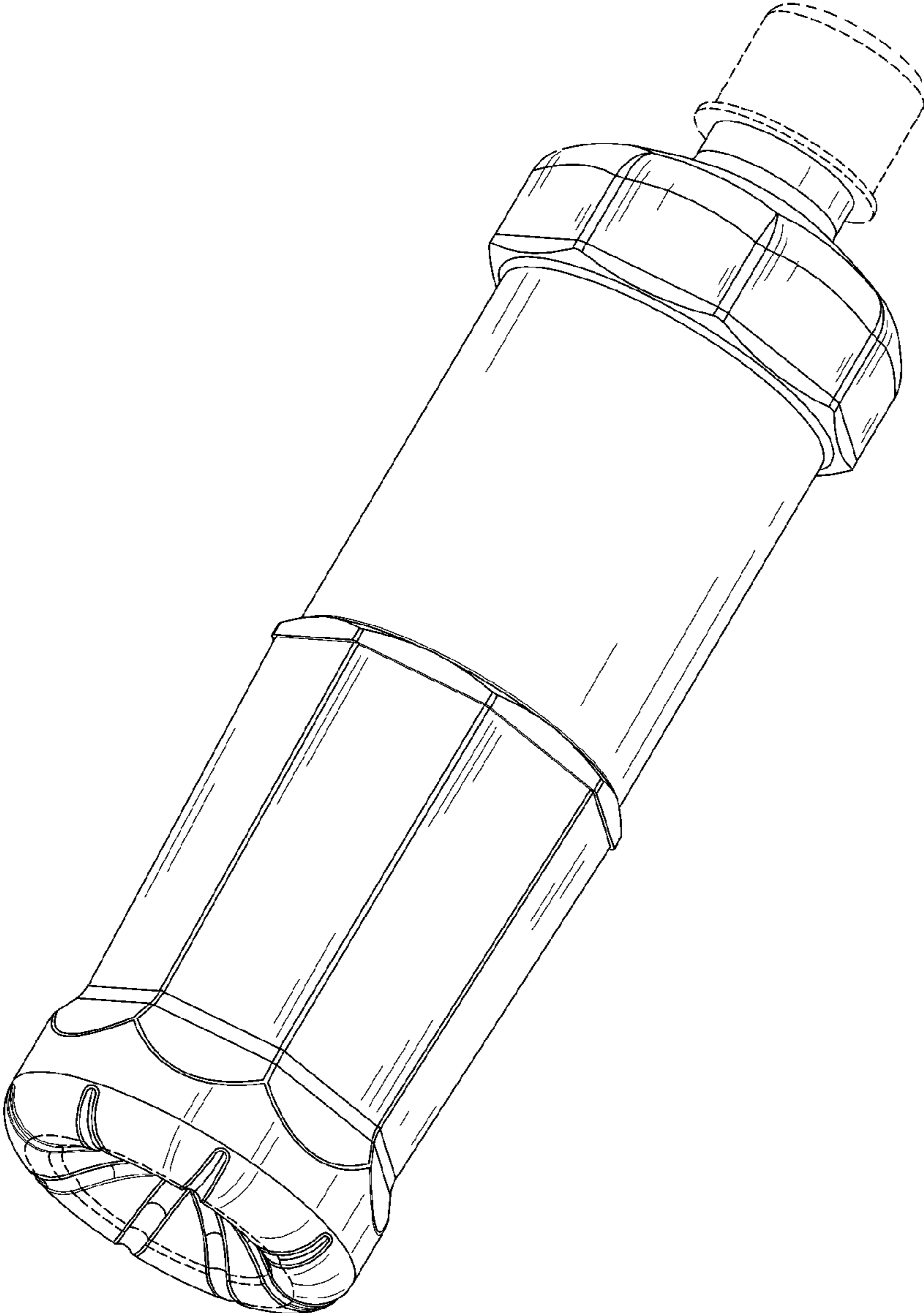


FIG. 5