



US00D638714S

(12) **United States Design Patent**  
**de Cleir et al.**

(10) **Patent No.:** **US D638,714 S**

(45) **Date of Patent:** **\*\* May 31, 2011**

(54) **CONTAINER**

(75) Inventors: **Piaras Valdis de Cleir**, Tarrytown, NY (US); **Shelley R. Markoulis**, Wycoff, NJ (US); **Robin Paige**, Tarrytown, NY (US); **Akina Kurihara**, Brooklyn, NY (US); **Paul F. Diehl**, Brooklyn, NY (US)

(73) Assignee: **Kraft Foods Global Brands LLC**, Northfield, IL (US)

(\*\*) Term: **14 Years**

(21) Appl. No.: **29/358,934**

(22) Filed: **Apr. 1, 2010**

(51) **LOC (9) Cl.** ..... **09-01**

(52) **U.S. Cl.** ..... **D9/529**

(58) **Field of Classification Search** ..... D9/434,  
D9/435, 447, 449, 516, 525, 529, 549, 550,  
D9/551, 558, 572, 575; 215/381-385; 220/660,  
220/662, 669

See application file for complete search history.

(56) **References Cited**

U.S. PATENT DOCUMENTS

D202,662 S	10/1965	Williams	
D240,829 S	8/1976	Jones et al.	
5,038,974 A	8/1991	Da Costa	
D336,614 S	6/1993	Crawford	
D347,389 S *	5/1994	Crawford	D9/529
D349,058 S *	7/1994	Farce	D9/523
D391,855 S	3/1998	Fenton et al.	
D438,459 S *	3/2001	Holthaus	D9/728
D447,953 S	9/2001	Brynstad et al.	
D463,744 S	10/2002	Brozell	
D463,747 S	10/2002	Peon et al.	
D471,818 S	3/2003	Weber	
D482,286 S	11/2003	Samson et al.	
D486,065 S	2/2004	Hutchinson et al.	
D498,415 S	11/2004	Schuller et al.	
D527,640 S	9/2006	Cummings et al.	
D538,668 S *	3/2007	Campbell et al.	D9/529

D542,141 S *	5/2007	Okin et al.	D9/529
D544,351 S	6/2007	Dittmer et al.	
D547,190 S	7/2007	Kuzma et al.	
D574,246 S *	8/2008	Russell et al.	D9/529
D580,767 S	11/2008	Okin et al.	
D581,794 S	12/2008	Haubert, III et al.	
D585,290 S *	1/2009	Toh	D9/529
D587,117 S	2/2009	Crawford	
D588,459 S	3/2009	Davis et al.	
D588,460 S	3/2009	Davis et al.	
D588,462 S	3/2009	Davis et al.	
D592,957 S	5/2009	Davis et al.	
D601,899 S	10/2009	Davis et al.	

(Continued)

OTHER PUBLICATIONS

U.S. Appl. No. 29/375,855, filed Sep. 28, 2010.  
U.S. Appl. No. 29/368,181, filed Aug. 19, 2010.

*Primary Examiner* — Stella M Reid

*Assistant Examiner* — Keli L Hill

(74) *Attorney, Agent, or Firm* — Fitch, Even, Tabin & Flannery

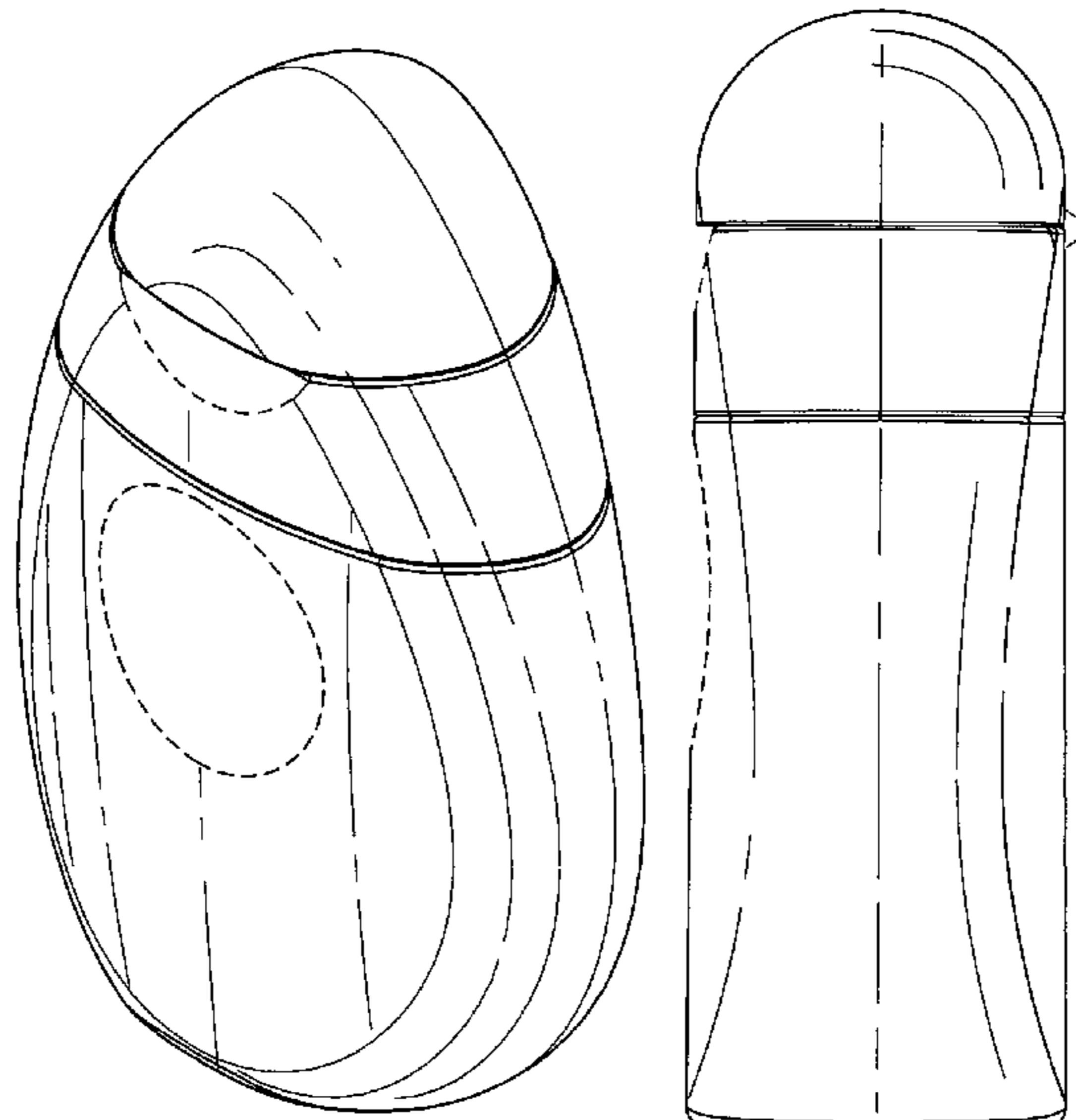
(57) **CLAIM**

The ornamental design for a container, as shown and described.

**DESCRIPTION**

FIG. 1 is a perspective view of a container, showing our new design;  
FIG. 2 is a right side elevation view thereof, the left side elevation view being a mirror image thereto;  
FIG. 3 is a front elevation view thereof;  
FIG. 4 is a bottom plan view thereof;  
FIG. 5 is a top plan view thereof; and,  
FIG. 6 is rear elevational view of the container thereof.  
The broken lines shown are included for the purpose of illustrating the unclaimed portions of the article and form no part of the claim.

**1 Claim, 4 Drawing Sheets**



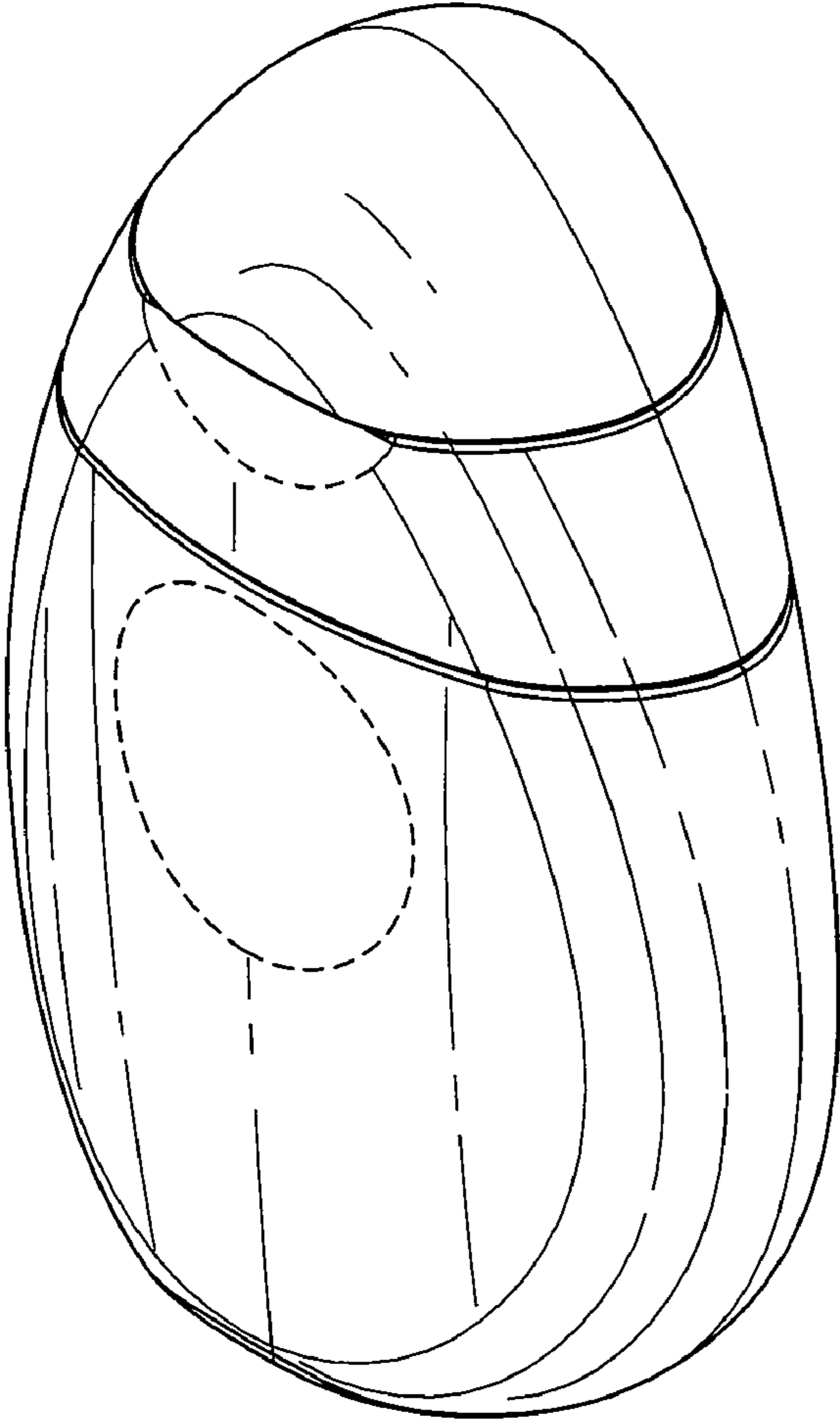
# US D638,714 S

Page 2

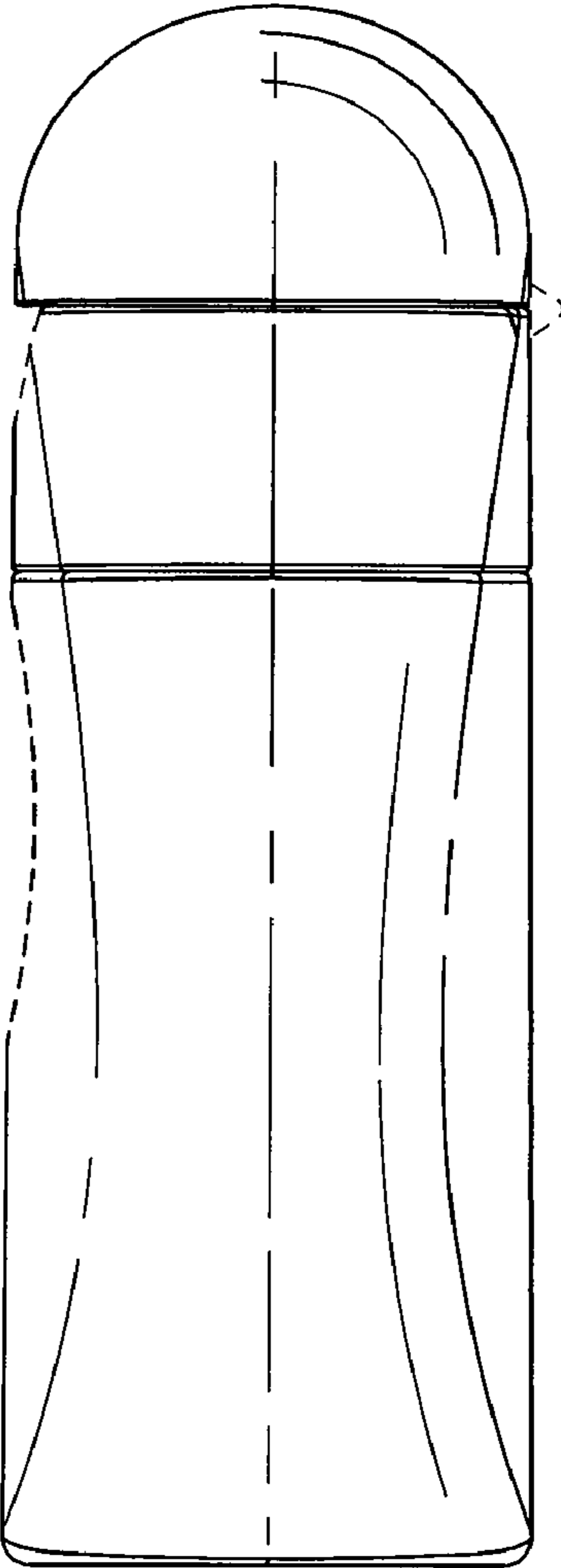
---

U.S. PATENT DOCUMENTS							
D602,356	S	10/2009	Shurtleff et al.	2007/0023453	A1	2/2007	Simkins
D609,098	S	2/2010	Almstead, Jr. et al.	2007/0102455	A1	5/2007	Stark et al.
D610,022	S	2/2010	Kanfer et al.	2007/0253761	A1	11/2007	May
D628,490	S	* 12/2010	Sato et al. ....	D9/529			* cited by examiner

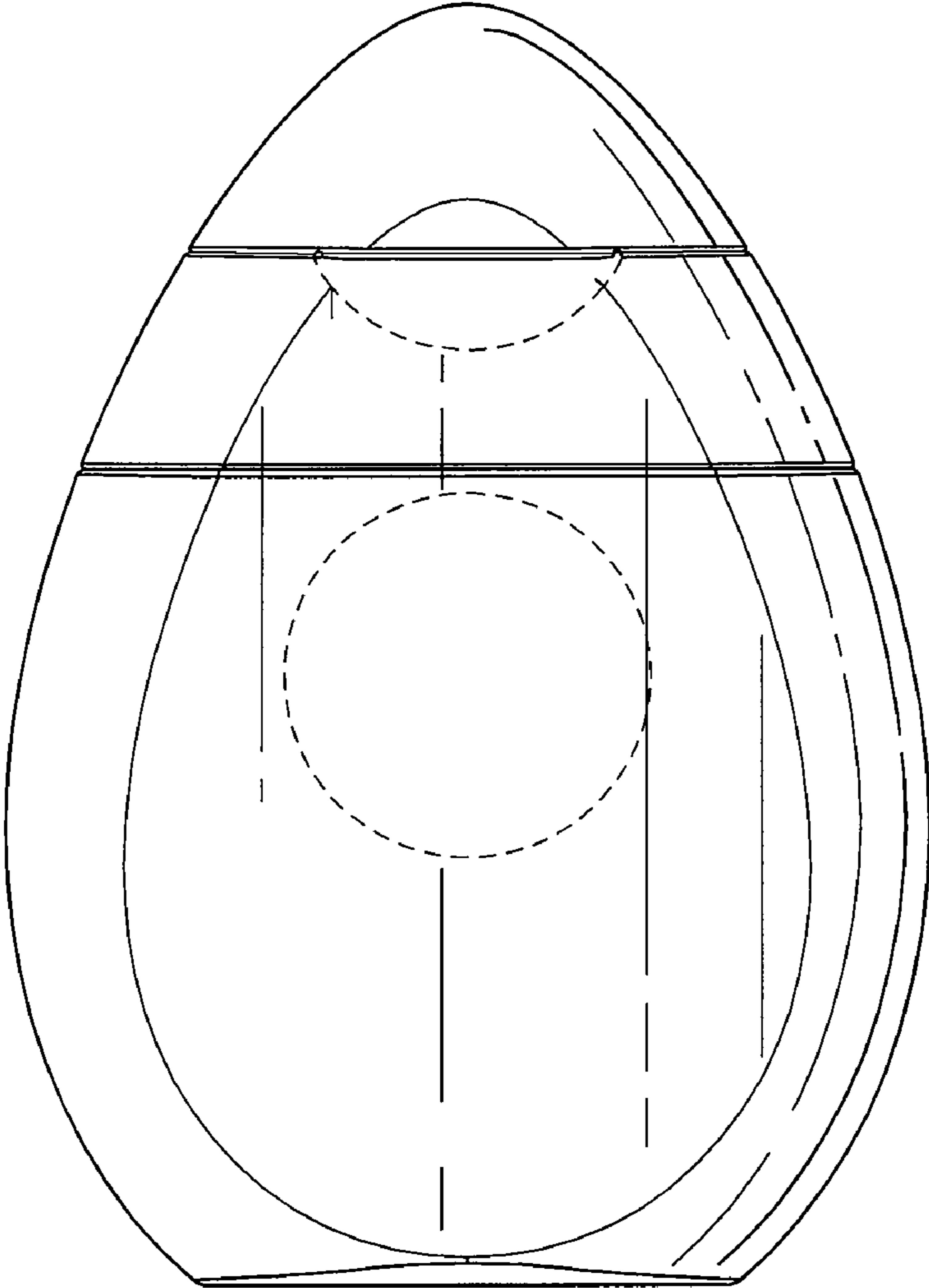
**FIG. 1**



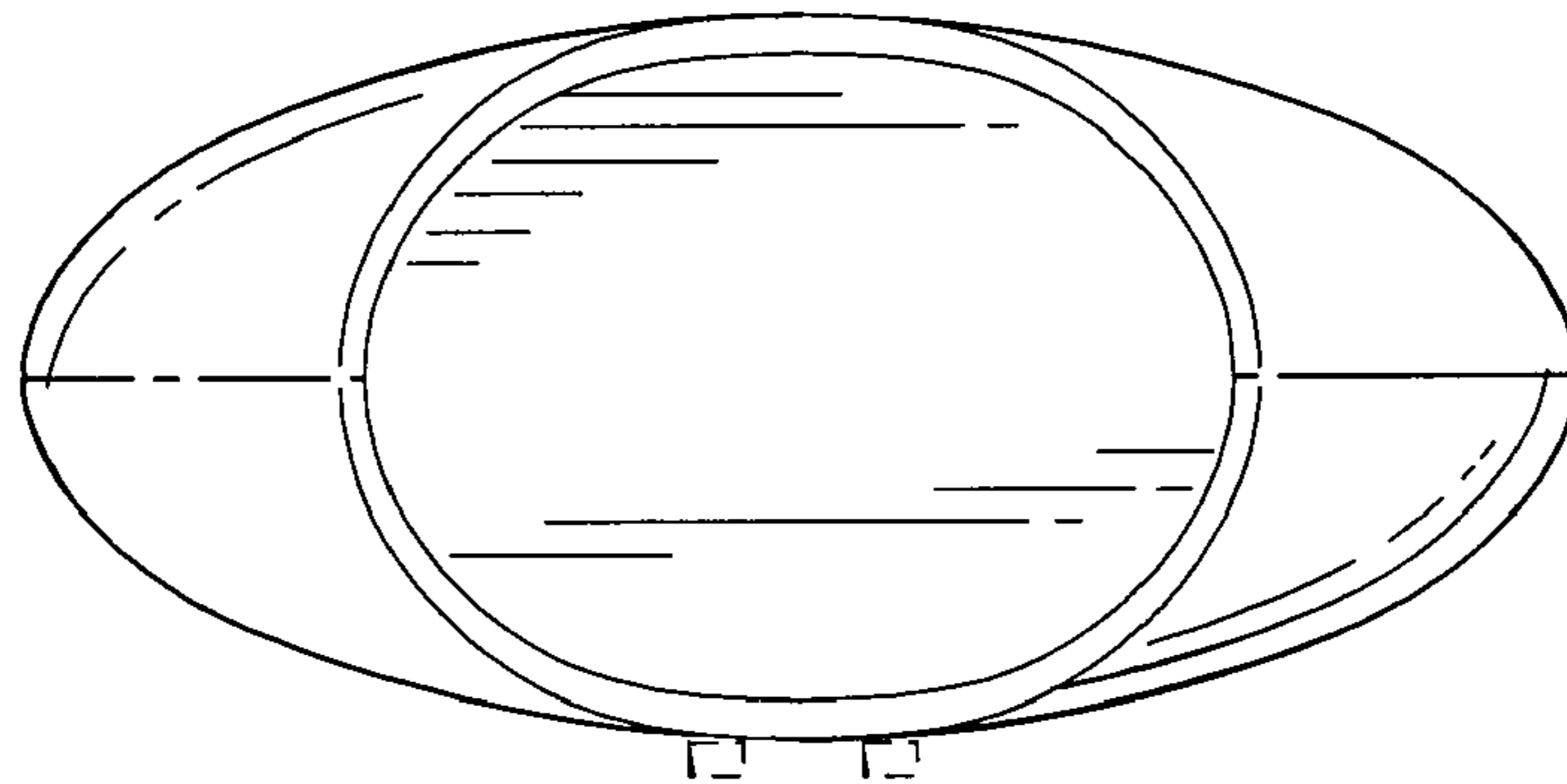
**FIG. 2**



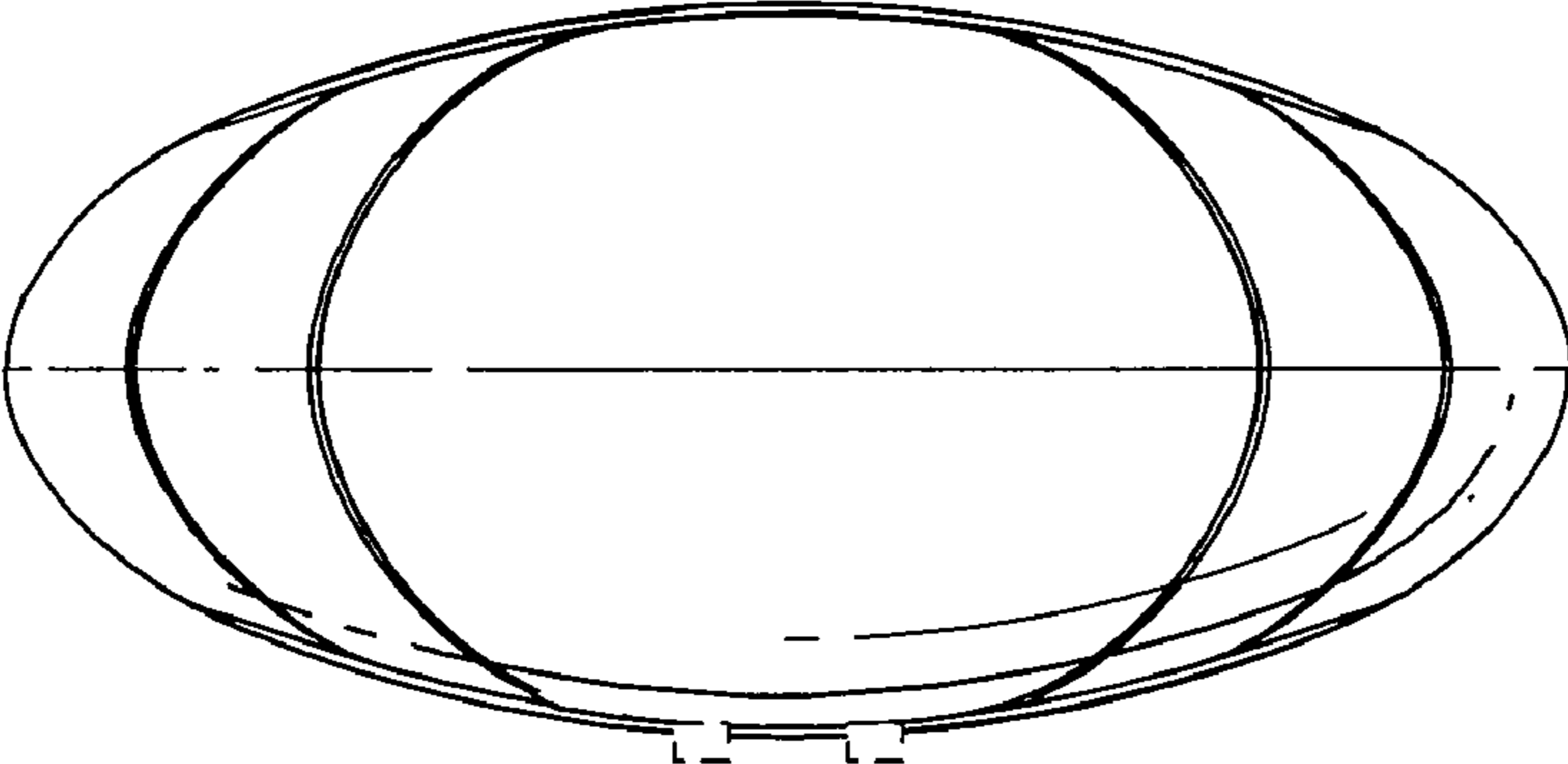
**FIG. 3**



**FIG. 4**



**FIG. 5**



**FIG. 6**

