



US00D638699S

(12) **United States Design Patent**
Taylor et al.

(10) **Patent No.:** **US D638,699 S**

(45) **Date of Patent:** **** May 31, 2011**

(54) **CONTAINER**

(75) Inventors: **Jonathan Paul Taylor**, Bristol (GB);
Dennis Broberg, Trollhättan (SE)

(73) Assignee: **McNeil AB** (SE)

(**) Term: **14 Years**

(21) Appl. No.: **29/378,646**

(22) Filed: **Nov. 8, 2010**

Related U.S. Application Data

(62) Division of application No. 29/363,488, filed on Jun. 10, 2010, now Pat. No. Des. 628,469.

(51) **LOC (9) Cl.** **09-03**

(52) **U.S. Cl.** **D9/420; D9/428**

(58) **Field of Classification Search** D9/417,
D9/420, 423, 428, 526, 537, 539, 540, 549;
D3/257; D7/629; D28/76, 77; D34/11;
222/556; 229/225-234, 125.09; 206/37,
206/540, 564, 566; 220/254.3, 259.1, 713,
220/819

See application file for complete search history.

(56) **References Cited**

U.S. PATENT DOCUMENTS

D341,315 S *	11/1993	Seymour	D9/529
D412,664 S *	8/1999	Hirst	D9/522
D540,162 S *	4/2007	Chin et al.	D9/417
D552,468 S *	10/2007	Seum et al.	D9/420
D606,854 S *	12/2009	Greenhalgh	D9/420
D628,469 S *	12/2010	Taylor et al.	D9/420

* cited by examiner

Primary Examiner — Thomas J Johannes

(74) *Attorney, Agent, or Firm* — Karen G. Horowitz

(57) **CLAIM**

We claim the ornamental design for a container, as shown and described.

DESCRIPTION

FIG. 1 is a front, left, top perspective view of a container showing our new design;

FIG. 2 is a front elevation view thereof;

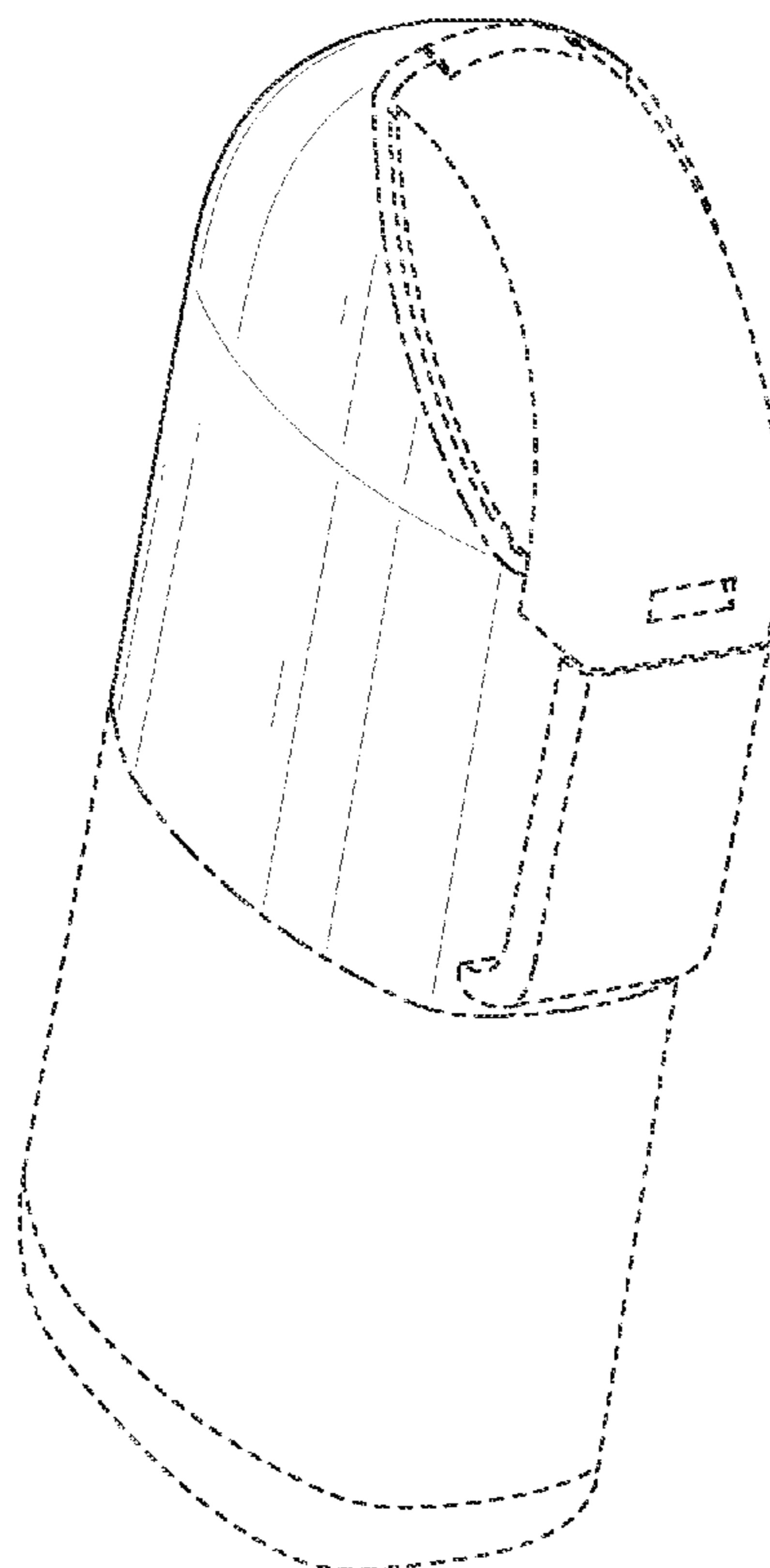
FIG. 3 is a back elevation view thereof;

FIG. 4 is a left side elevation view thereof, the right side elevation view being a mirror image thereof; and,

FIG. 5 is a top side view thereof.

The simple dashed broken line shows unclaimed subject matter (the lid, closure mechanism and lower portion of the container) and forms no part of the claimed design; whereas, the special dot-dash broken line defines the bounds of the claimed design area, and, itself, forms no part of the claimed design.

1 Claim, 4 Drawing Sheets



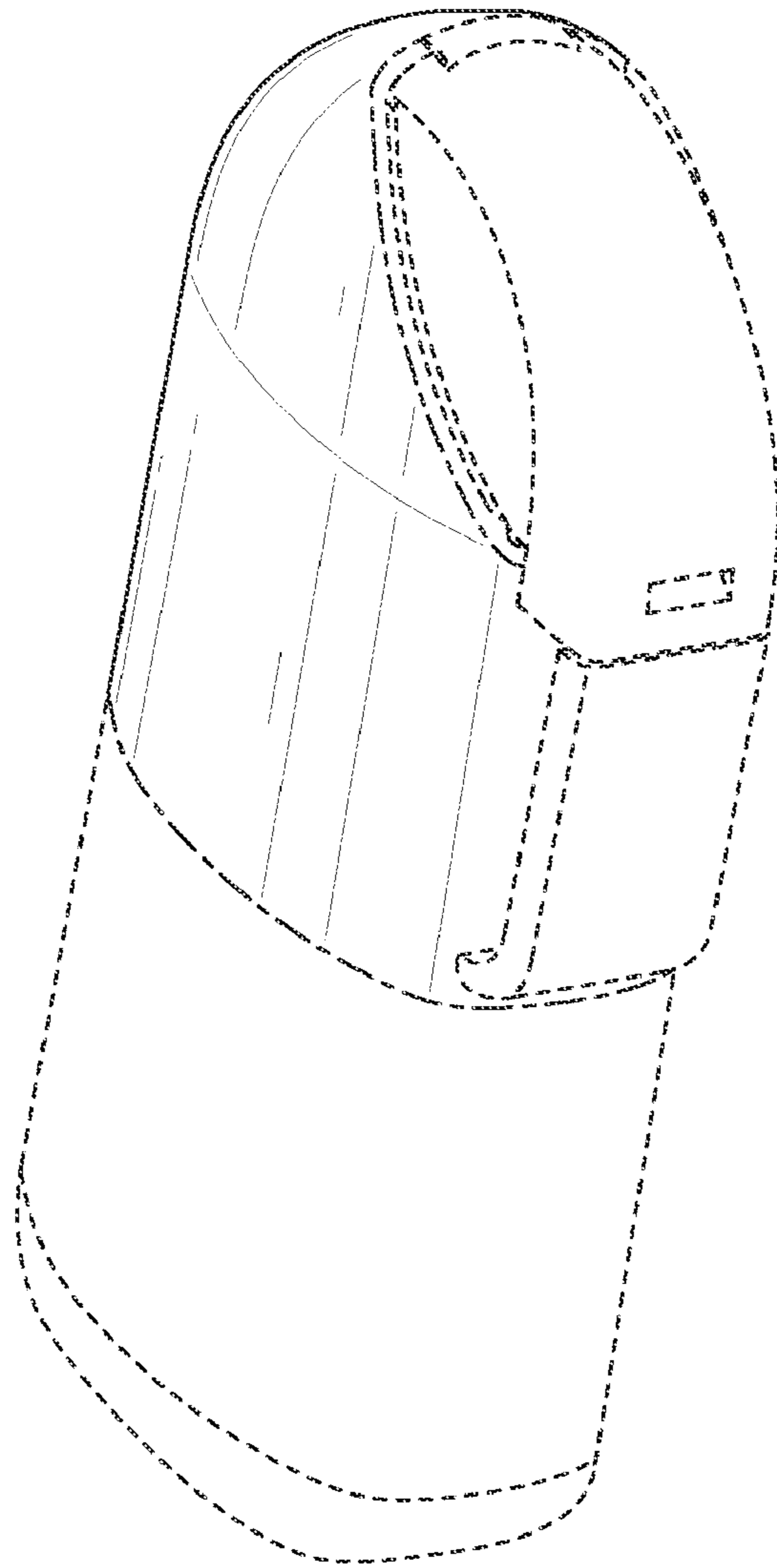


FIG. 1

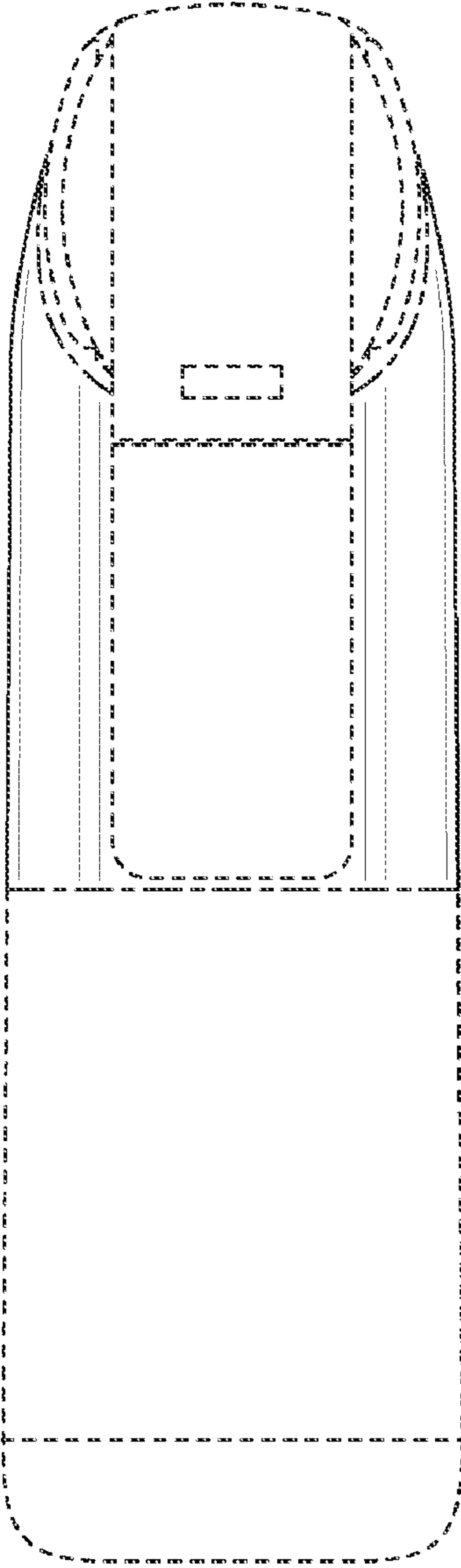


FIG. 2

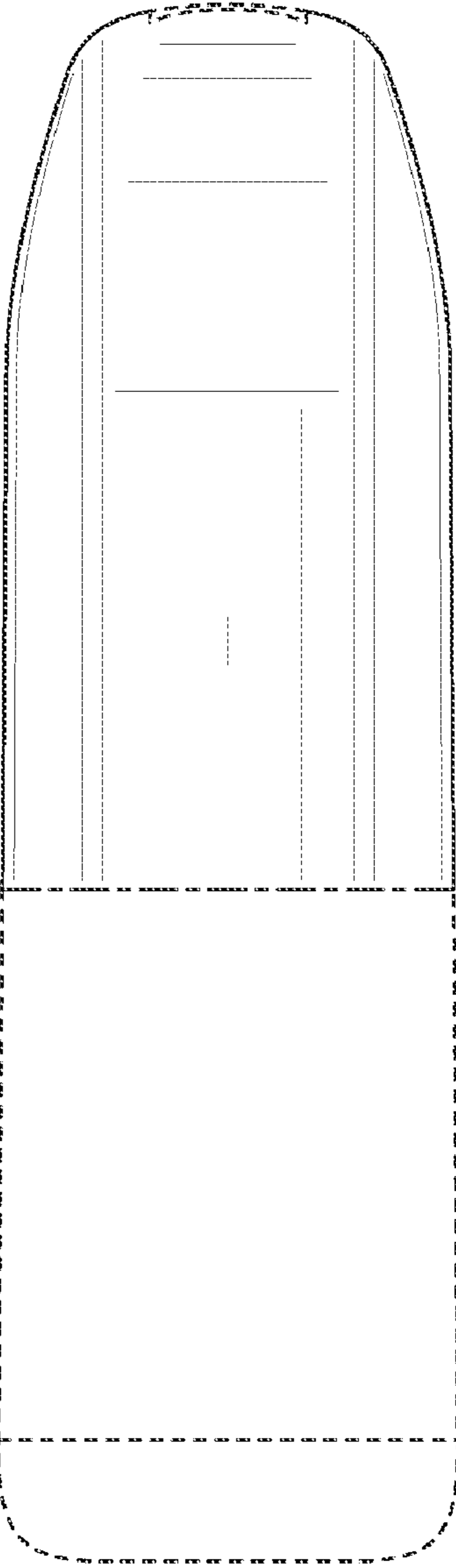


FIG. 3

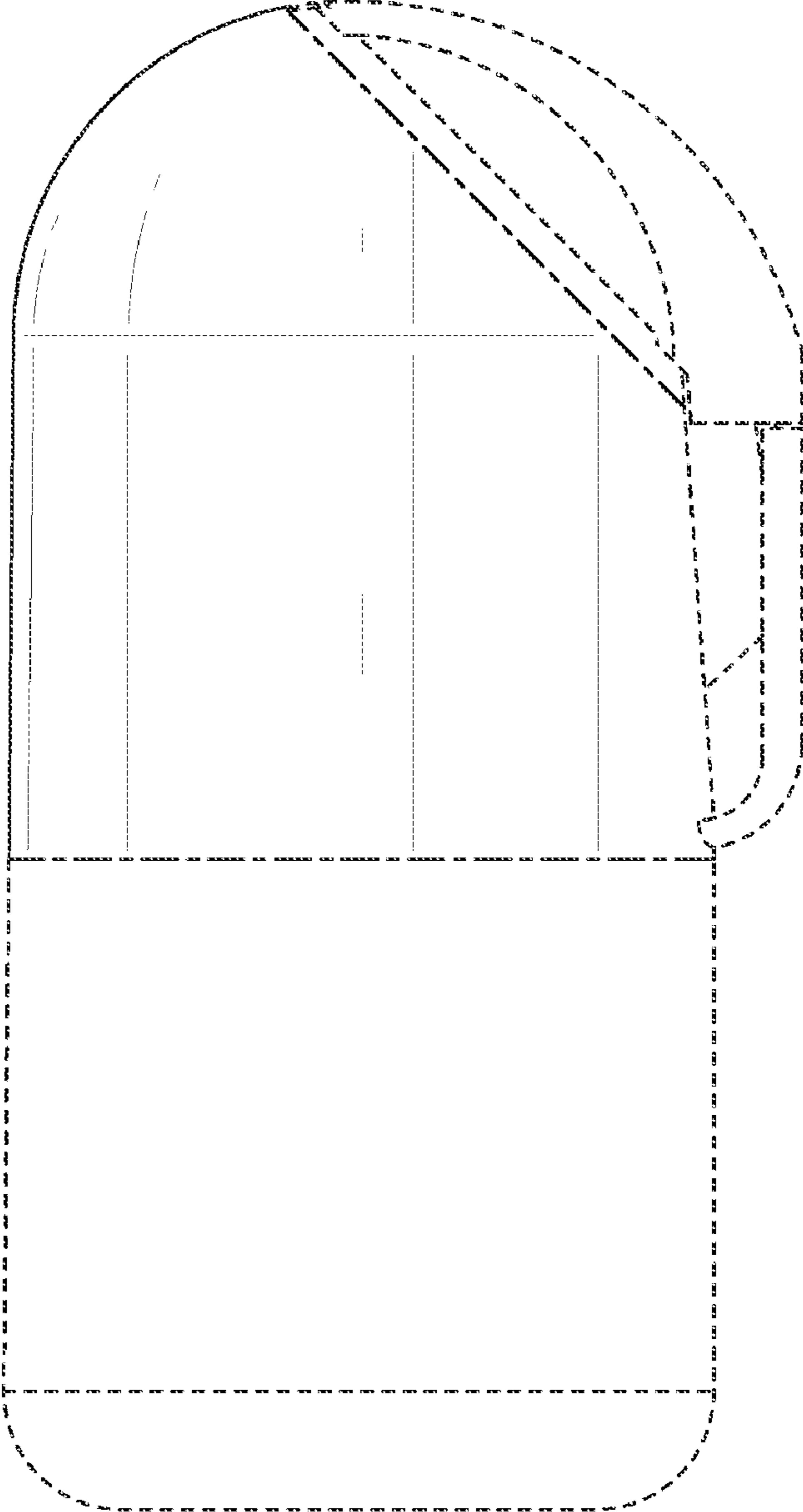


FIG. 4

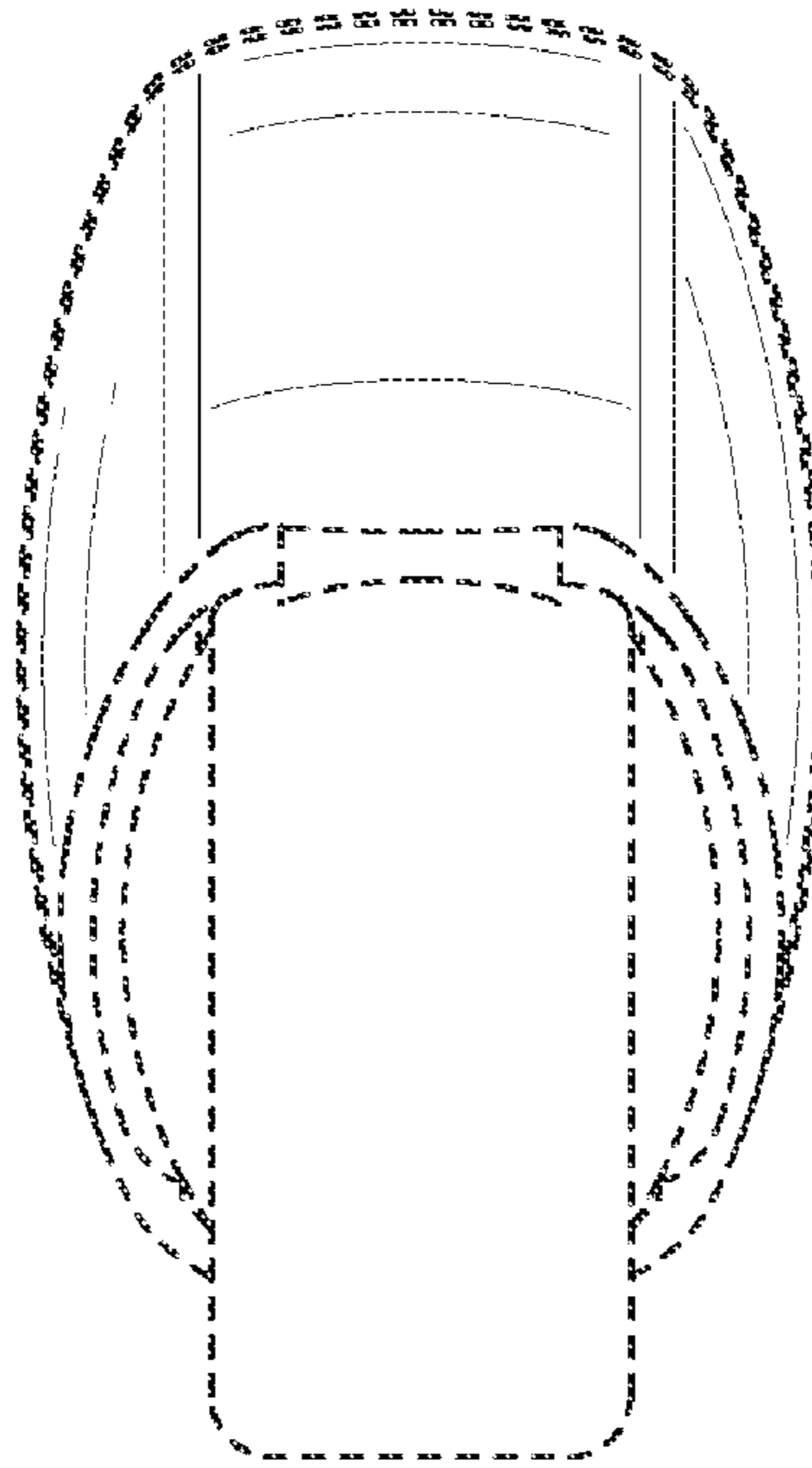


FIG. 5