

US00D638697S

(12) **United States Design Patent**
Zemel

(10) **Patent No.:** **US D638,697 S**

(45) **Date of Patent:** **** May 31, 2011**

(54) **MAGNETIC CLIP**

(75) Inventor: **Marc Zemel**, Old Bethpage, NY (US)

(73) Assignee: **Mr. Bar-B-Q, Inc.**, Old Bethpage, NY (US)

(**) Term: **14 Years**

(21) Appl. No.: **29/378,366**

(22) Filed: **Nov. 3, 2010**

(51) **LOC (9) Cl.** **08-08**

(52) **U.S. Cl.** **D8/395**

(58) **Field of Classification Search** D8/394-396,
D8/72, 367, 373; D19/56, 65, 86; 24/67.3;
D32/60-64; D28/40

See application file for complete search history.

(56) **References Cited**

U.S. PATENT DOCUMENTS

1,051,764	A	*	1/1913	Robinson	24/11	HC
D206,785	S	*	1/1967	McCormick	D20/43	
D298,703	S	*	11/1988	Arnold	D6/328	
D303,590	S	*	9/1989	Pelosi	D6/328	
D323,588	S	*	2/1992	Pelosi	D6/328	
D348,902	S	*	7/1994	Beyer	D19/65	
D423,305	S	*	4/2000	Foster et al.	D7/686	
D450,463	S	*	11/2001	Wong et al.	D6/328	
D455,339	S	*	4/2002	Tsai	D8/395	
D512,906	S	*	12/2005	Wood	D8/395	
D519,360	S	*	4/2006	Naden	D8/395	
D521,369	S	*	5/2006	Sollberger et al.	D8/395	
D525,117	S	*	7/2006	Mariano et al.	D8/395	

D551,069	S	*	9/2007	Wu	D8/395	
D577,393	S	*	9/2008	Nada et al.	D21/503	
D578,781	S	*	10/2008	Hansen	D6/328	
D597,825	S	*	8/2009	Ho	D8/367	
D608,629	S	*	1/2010	Daugherty et al.	D8/395	
D621,505	S	*	8/2010	Gabbay et al.	D24/141	

* cited by examiner

Primary Examiner — Celia A Murphy

Assistant Examiner — John Windmuller

(74) *Attorney, Agent, or Firm* — Kalow & Springut, LLP;
David A. Kalow, Esq.; Shadaia M. Gooden, Esq.

(57) **CLAIM**

The ornamental design for a magnetic clip, as shown and described.

DESCRIPTION

FIG. 1 is a front side perspective view of the magnetic clip.

FIG. 2 is a rear side view of the magnetic clip.

FIG. 3 is a top view of the magnetic clip.

FIG. 4 is a right side view of the magnetic clip.

FIG. 5 is a left side of the magnetic clip.

FIG. 6 is a bottom of the magnetic clip.

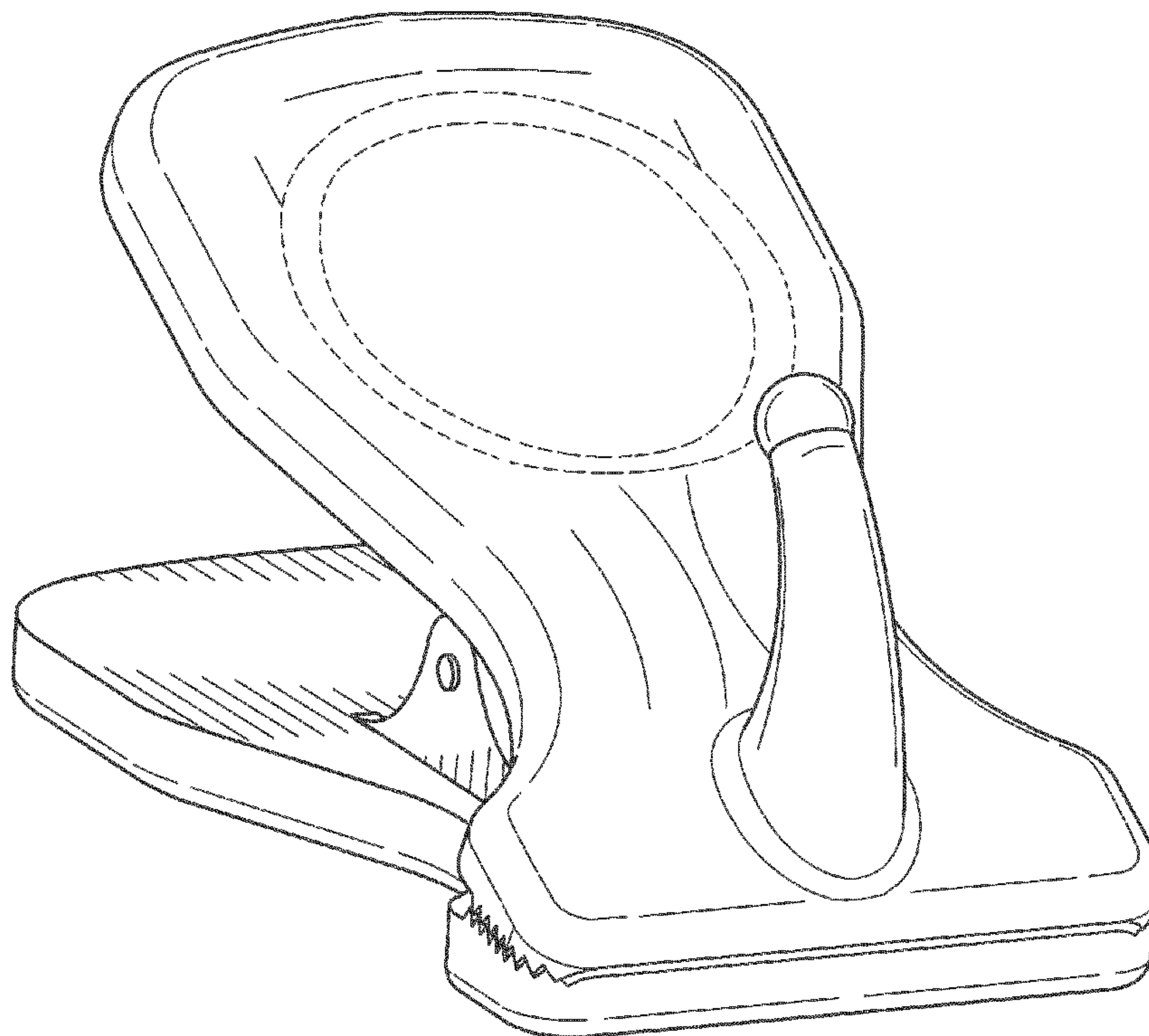
FIG. 7 is a front view of the magnetic clip.

FIG. 8 is a rear view of the magnetic clip; and,

FIG. 9 is a perspective view of the magnetic clip in the environment of a barbecue grill.

The broken lines in FIGS. 1, 3, 7 and 9 and the surface area they define form no part of the claimed design.

1 Claim, 8 Drawing Sheets



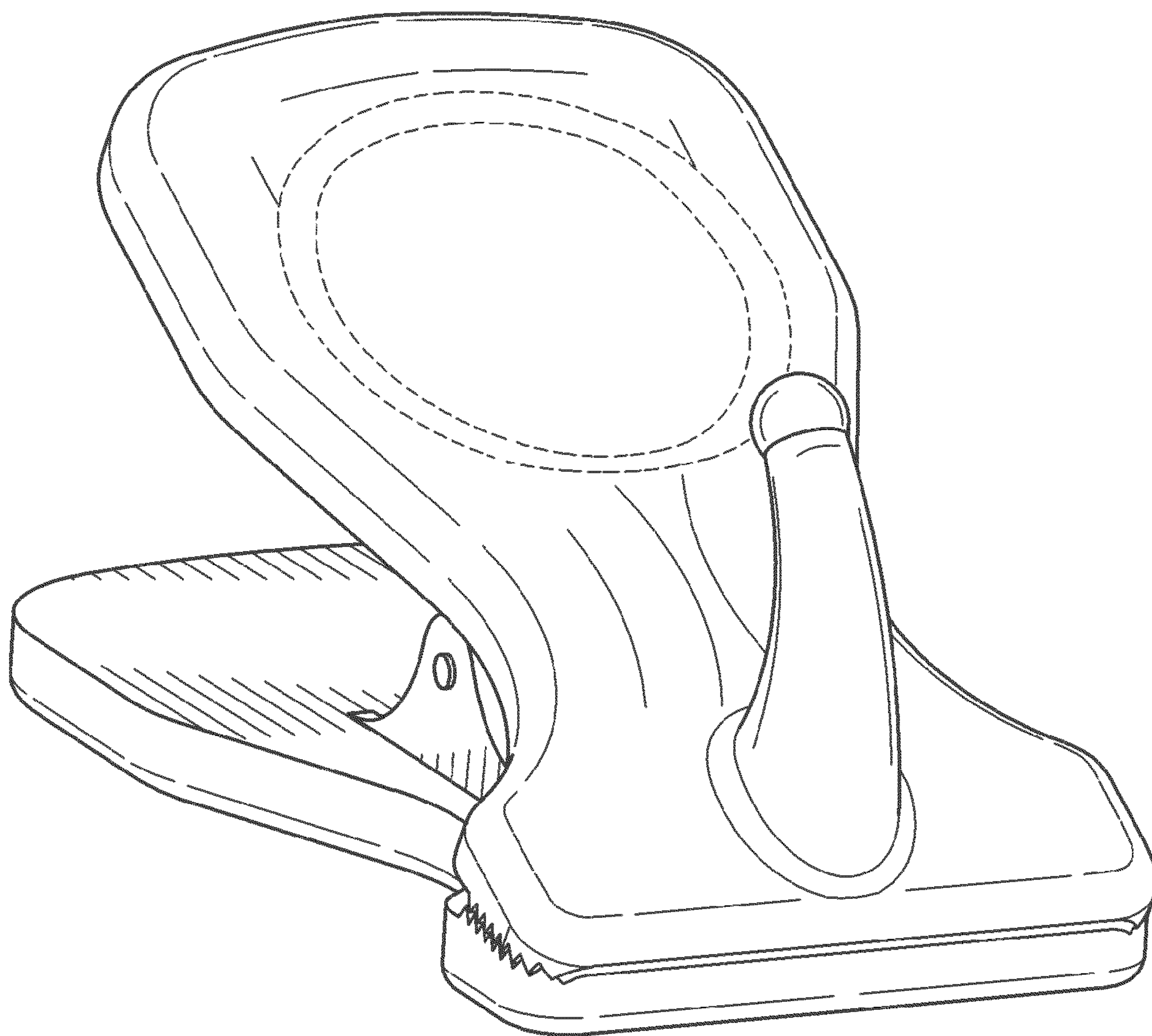


FIG. 1

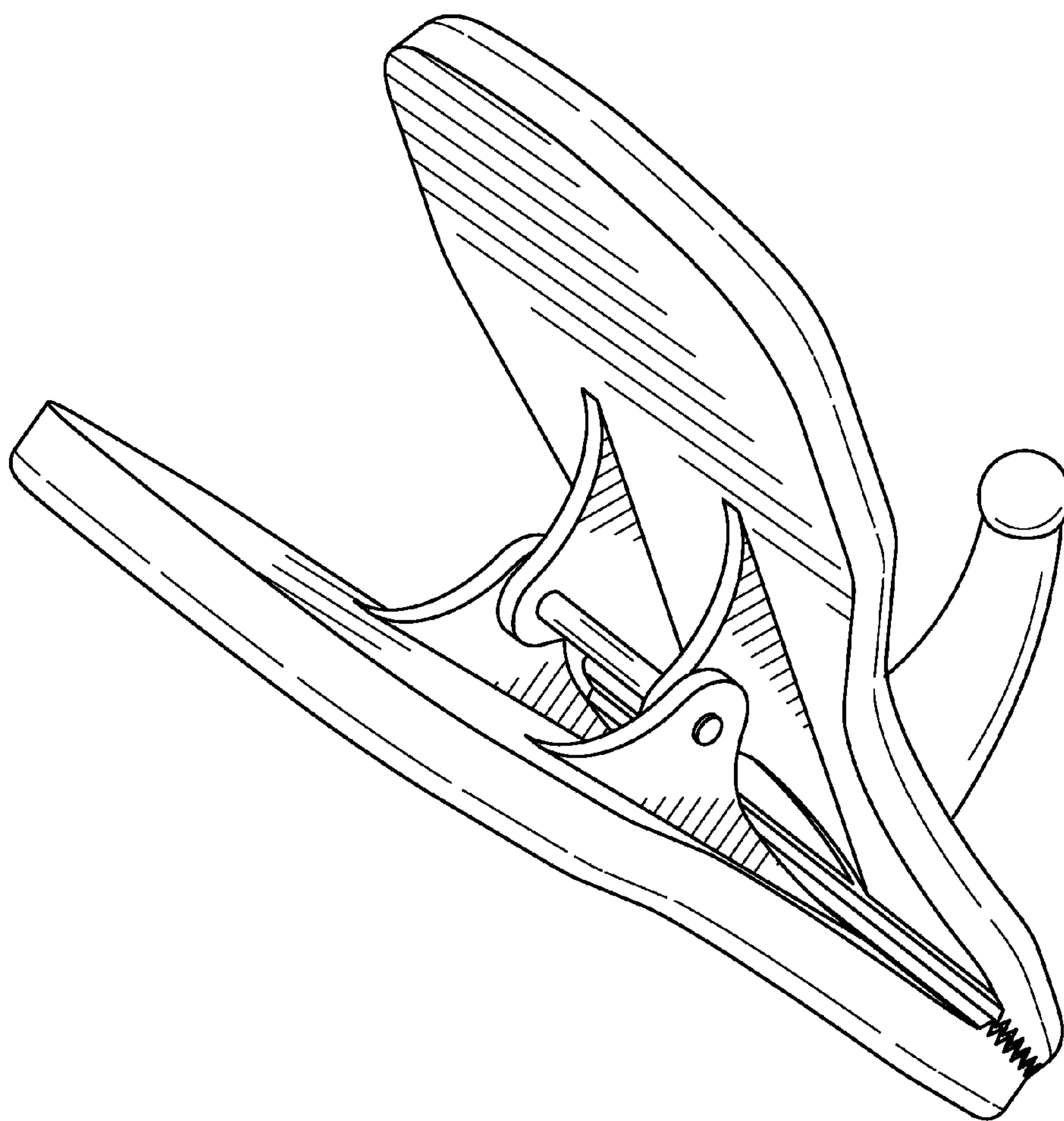


FIG. 2

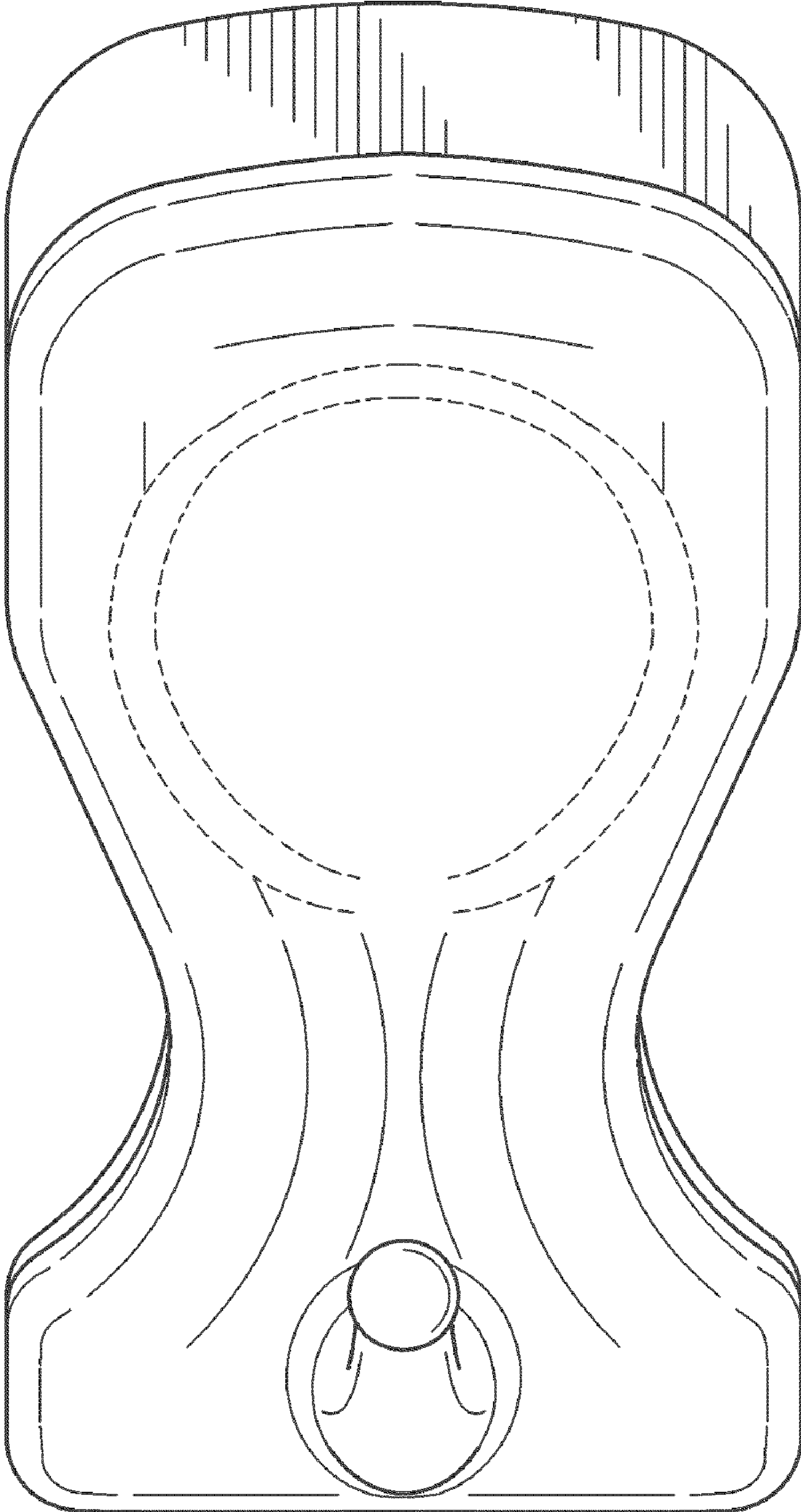


FIG. 3

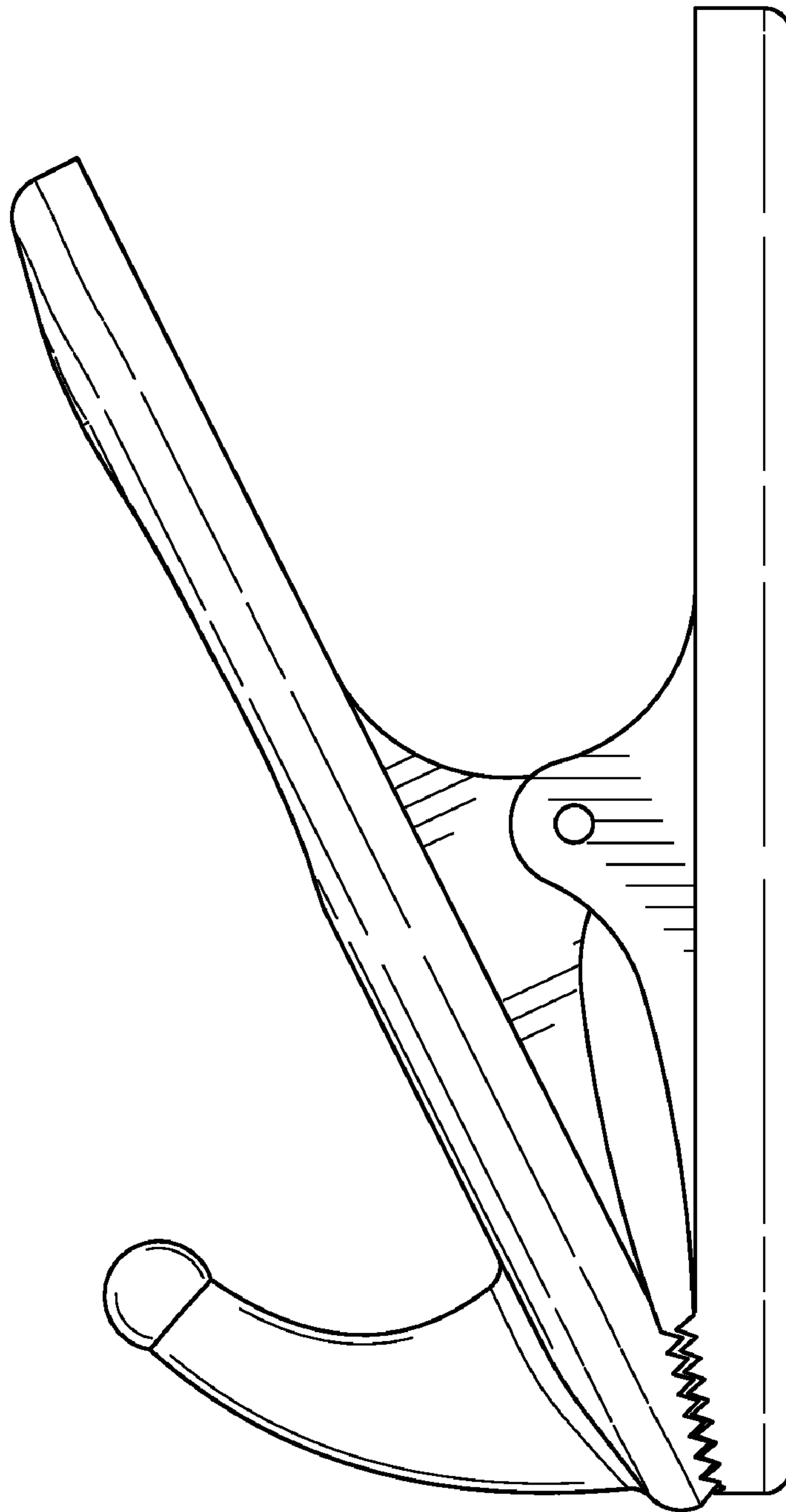


FIG. 4

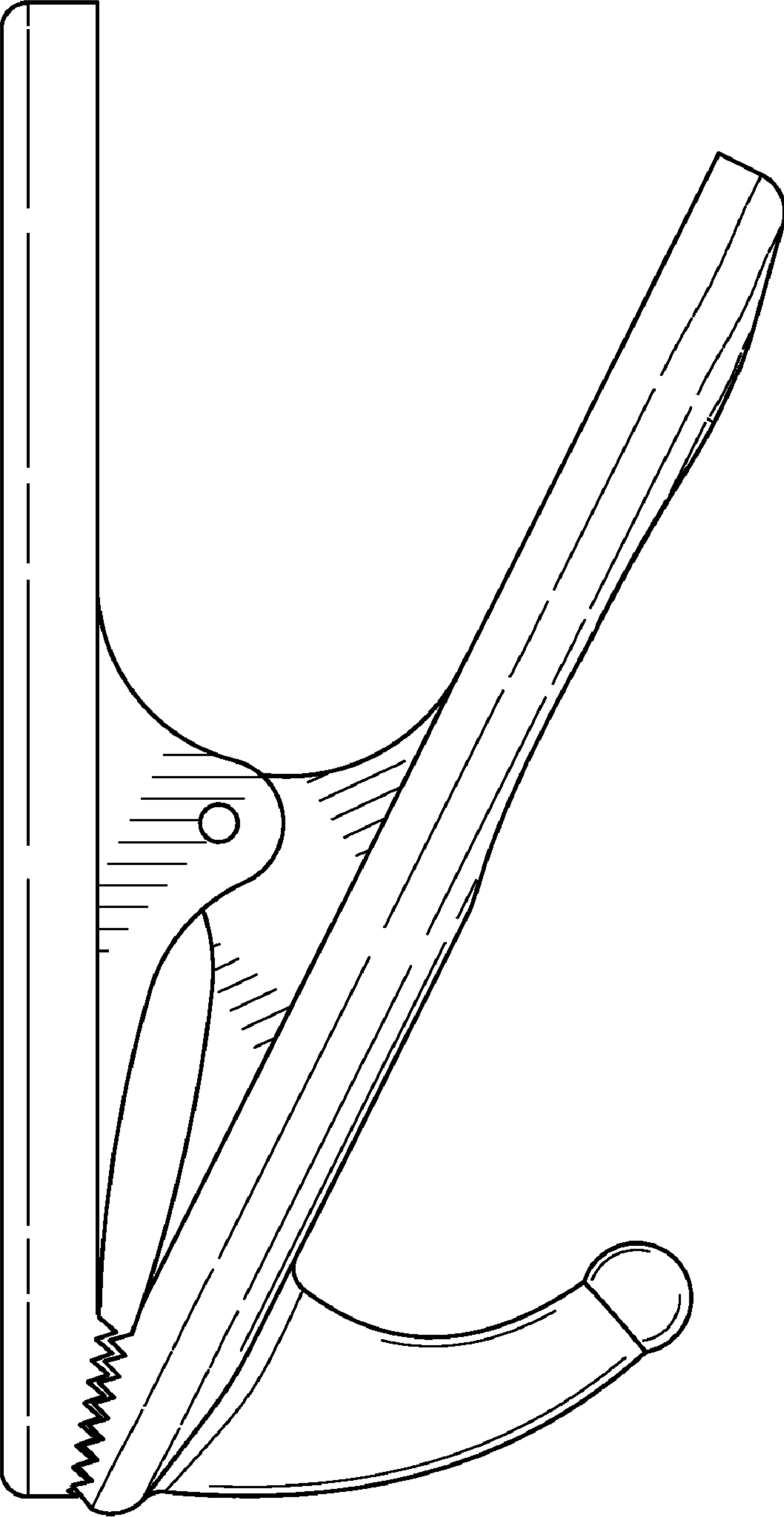


FIG. 5

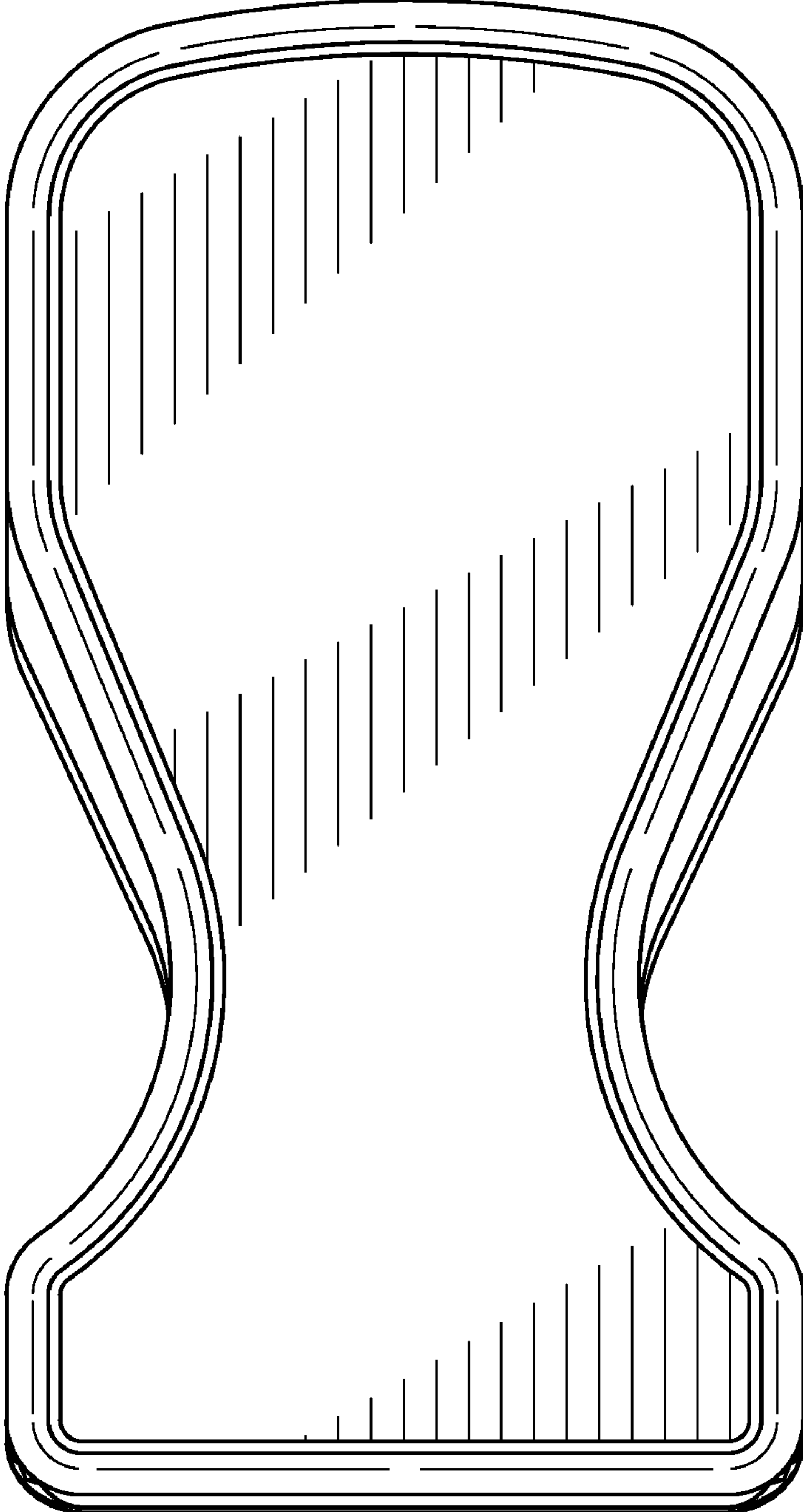


FIG. 6

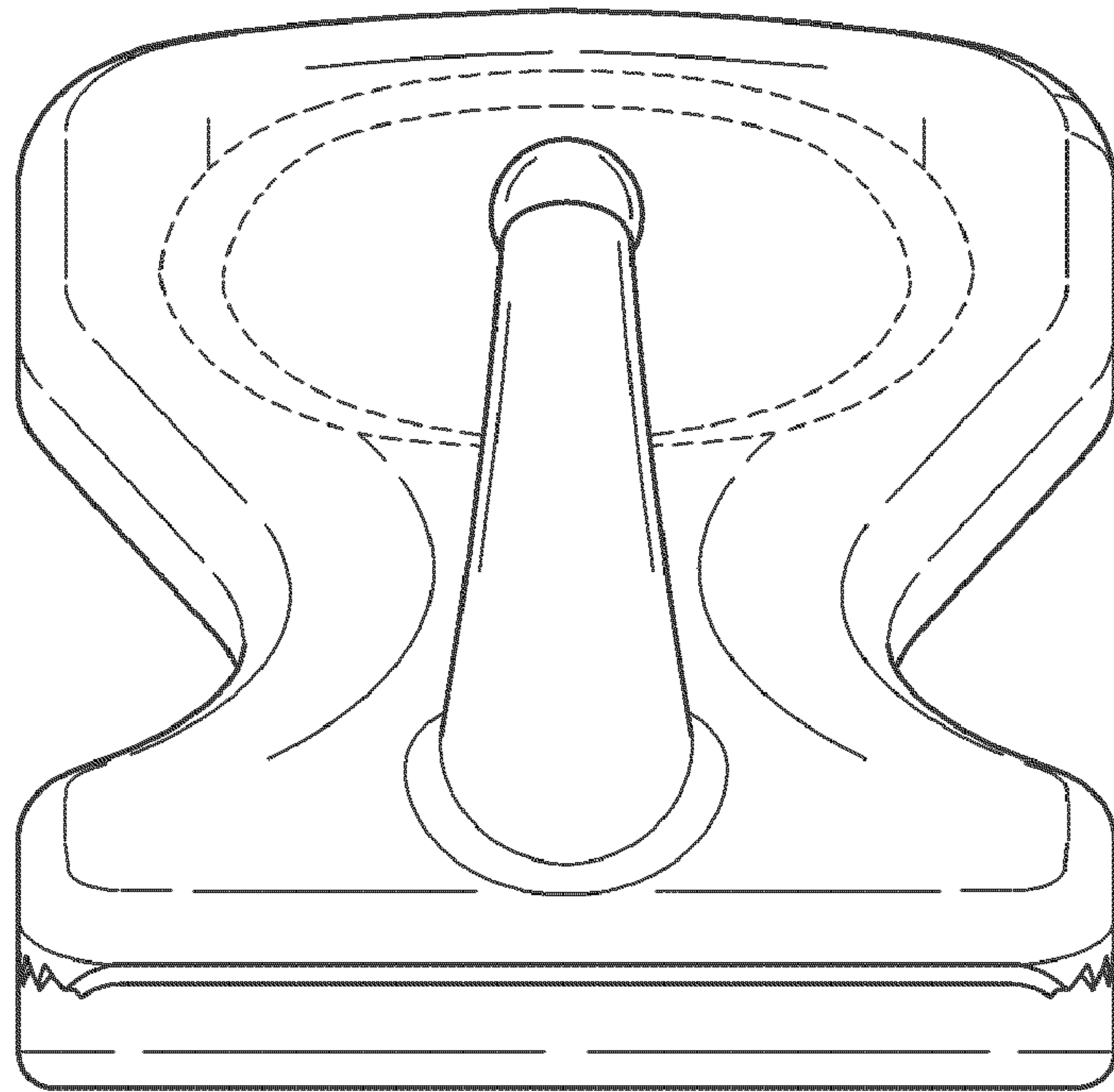


FIG. 7

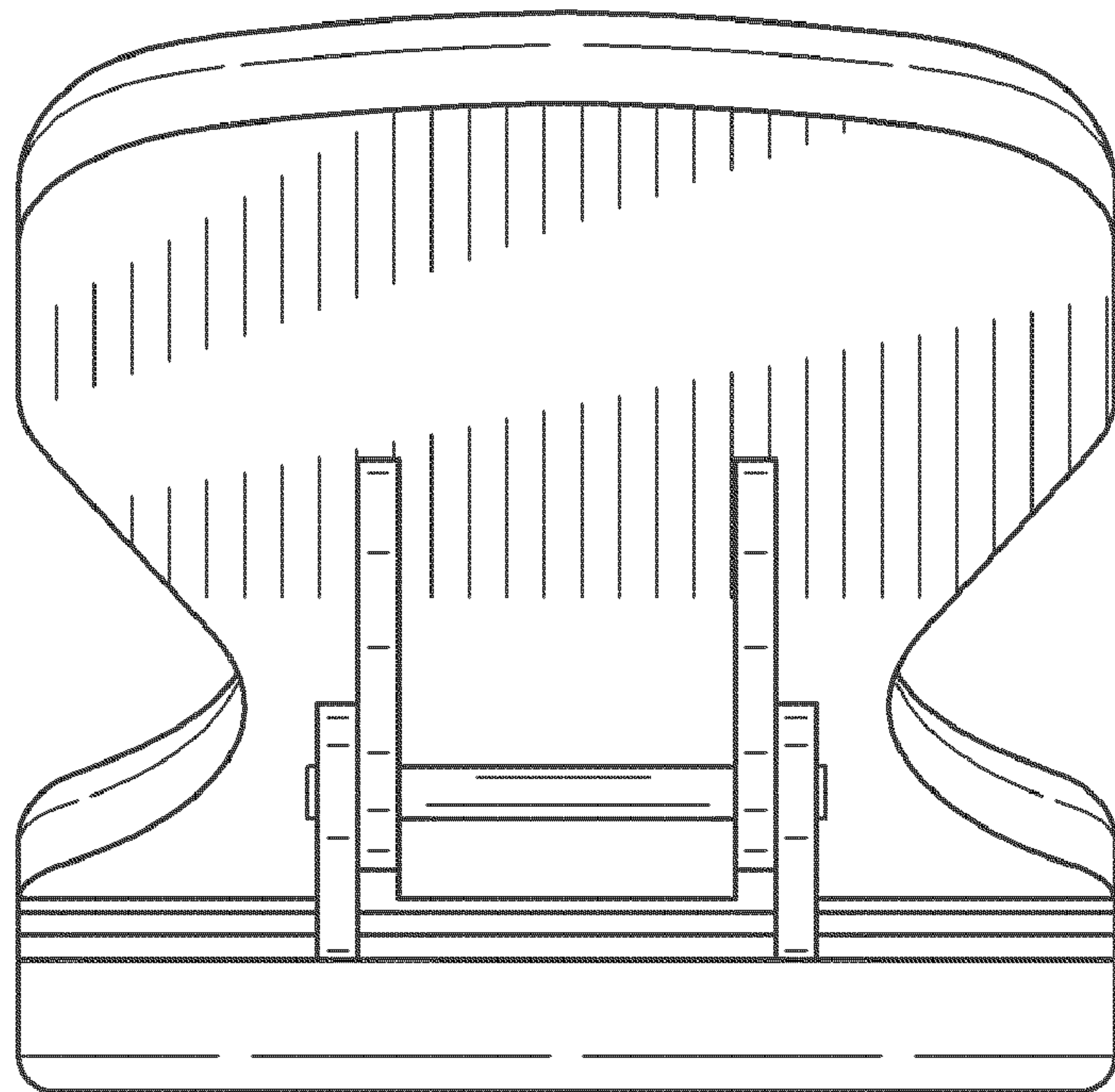


FIG. 8

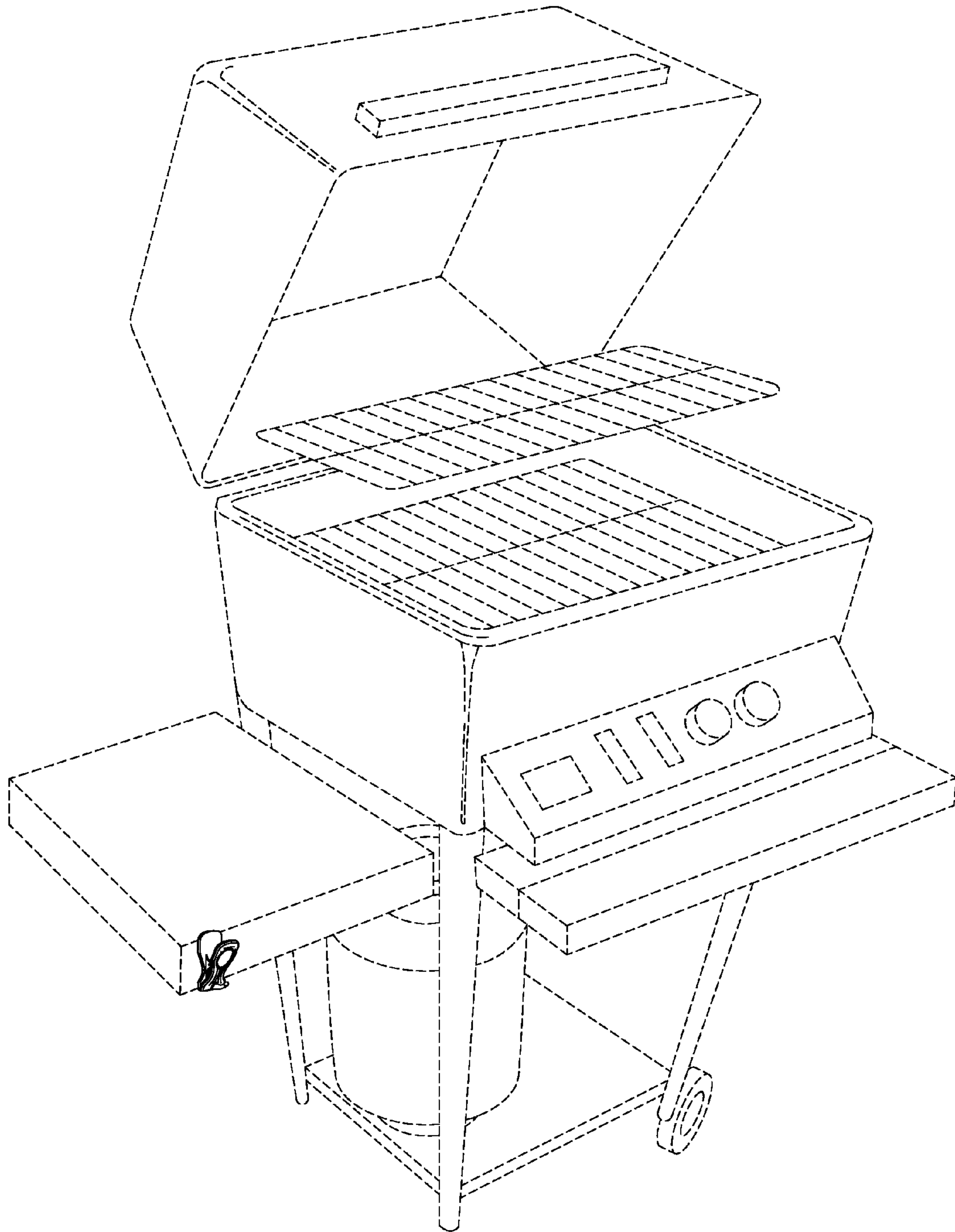


FIG. 9