



US00D638696S

(12) **United States Design Patent**
Kubota

(10) **Patent No.:** **US D638,696 S**

(45) **Date of Patent:** **** May 31, 2011**

(54) **COUPLING MEMBER FOR PANEL**

(75) Inventor: **Harunobu Kubota**, Tokyo (JP)

(73) Assignee: **Sugatsune Kogyo Co., Ltd.**,
Chiyoda-Ku, Tokyo (JP)

(**) Term: **14 Years**

(21) Appl. No.: **29/372,369**

(22) Filed: **Nov. 12, 2010**

(30) **Foreign Application Priority Data**

May 14, 2010 (JP) 2010-011949

(51) **LOC (9) Cl.** **08-08**

(52) **U.S. Cl.** **D8/394**

(58) **Field of Classification Search** D8/394,
D8/320, 323, 381, 380, 373, 402, 349; 4/596,
4/597, 607, 900, 552, 556, 557; D23/275,
D23/273, 279, 283, 303-306

See application file for complete search history.

(56) **References Cited**

U.S. PATENT DOCUMENTS

D228,877 S * 10/1973 Hirt D8/394
D320,337 S * 10/1991 Tye et al. D8/319
D333,339 S * 2/1993 Klose D23/223
6,363,547 B1 * 4/2002 Perry 4/614
6,519,903 B1 * 2/2003 Dirisamer et al. 52/235
6,704,966 B1 * 3/2004 Kao 16/252

7,127,777 B2 * 10/2006 Chiang 16/252
D542,393 S * 5/2007 Haug et al. D23/304
D550,547 S * 9/2007 Sato D8/381
D593,653 S * 6/2009 Mitrani D23/304
2005/0125949 A1 * 6/2005 Lin 16/248

* cited by examiner

Primary Examiner — Celia A Murphy

Assistant Examiner — John Windmuller

(74) *Attorney, Agent, or Firm* — Osha • Liang LLP

(57) **CLAIM**

The ornamental design for a coupling member for panel, as shown and described.

DESCRIPTION

FIG. 1 is a perspective view of the top, front and right of a coupling member for panel showing our new design;

FIG. 2 is a front view thereof;

FIG. 3 is a rear view thereof;

FIG. 4 is a top plan view thereof;

FIG. 5 is a bottom view thereof;

FIG. 6 is a left side view thereof;

FIG. 7 is a right side view thereof;

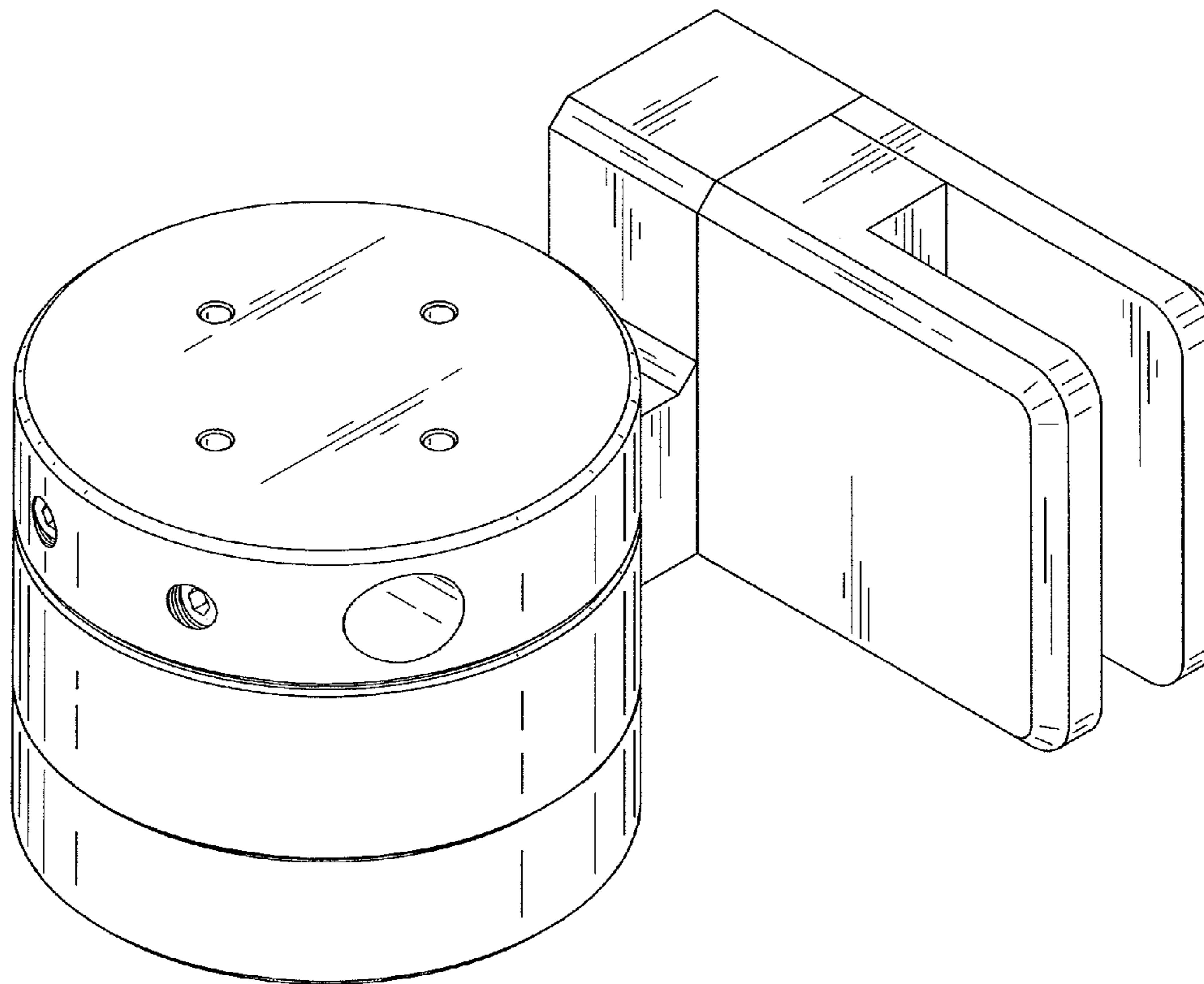
FIG. 8 is a perspective view thereof in use;

FIG. 9 is another perspective view thereof in use; and,

FIG. 10 is a further perspective view thereof in use.

In FIGS. 3, 4, and 7 the broken lines depict portions of the coupling member that form no part of the claimed design. In FIGS. 8, 9, and 10 the broken lines depict environmental subject matter only and form no part of the claimed design.

1 Claim, 8 Drawing Sheets



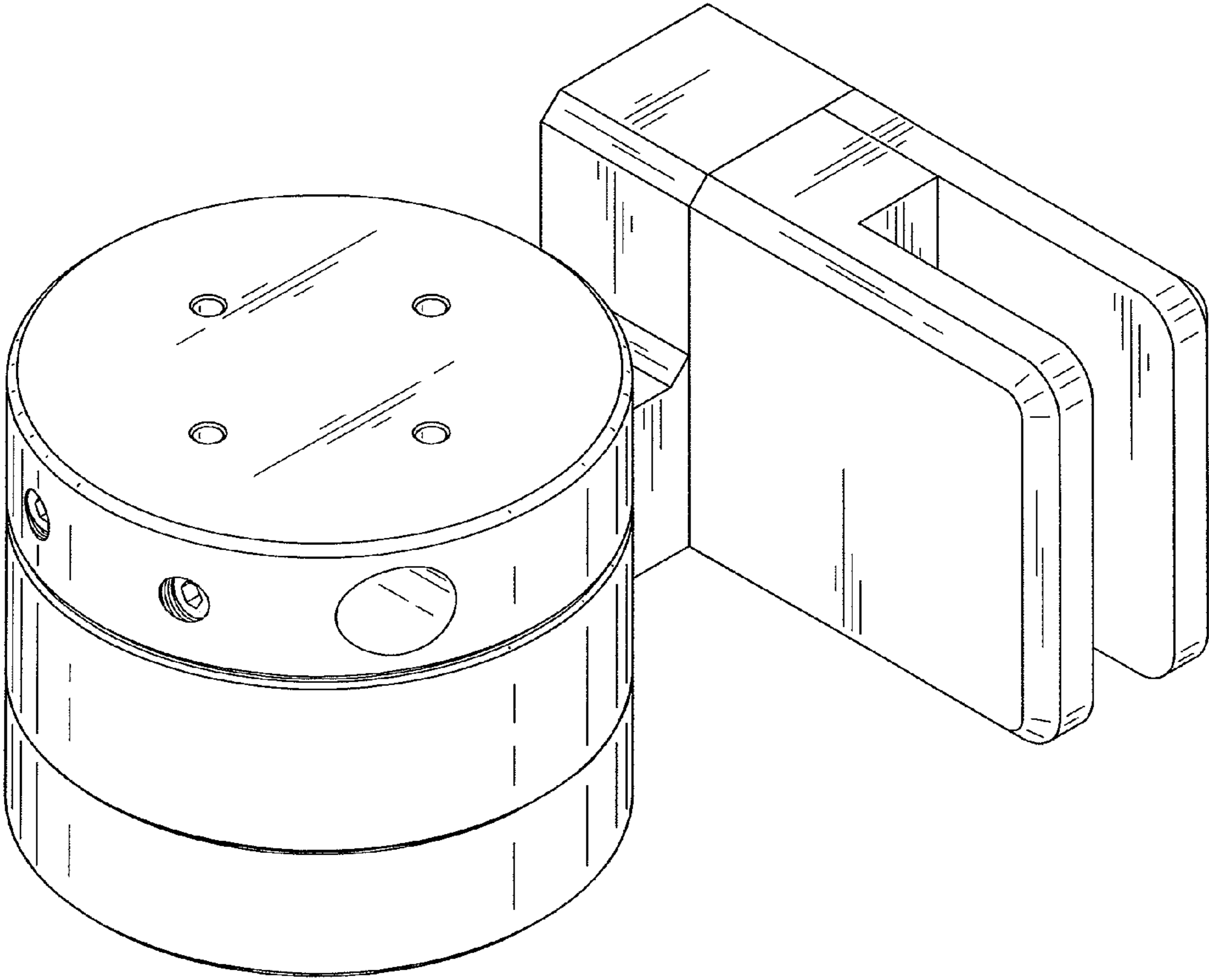


FIG. 1

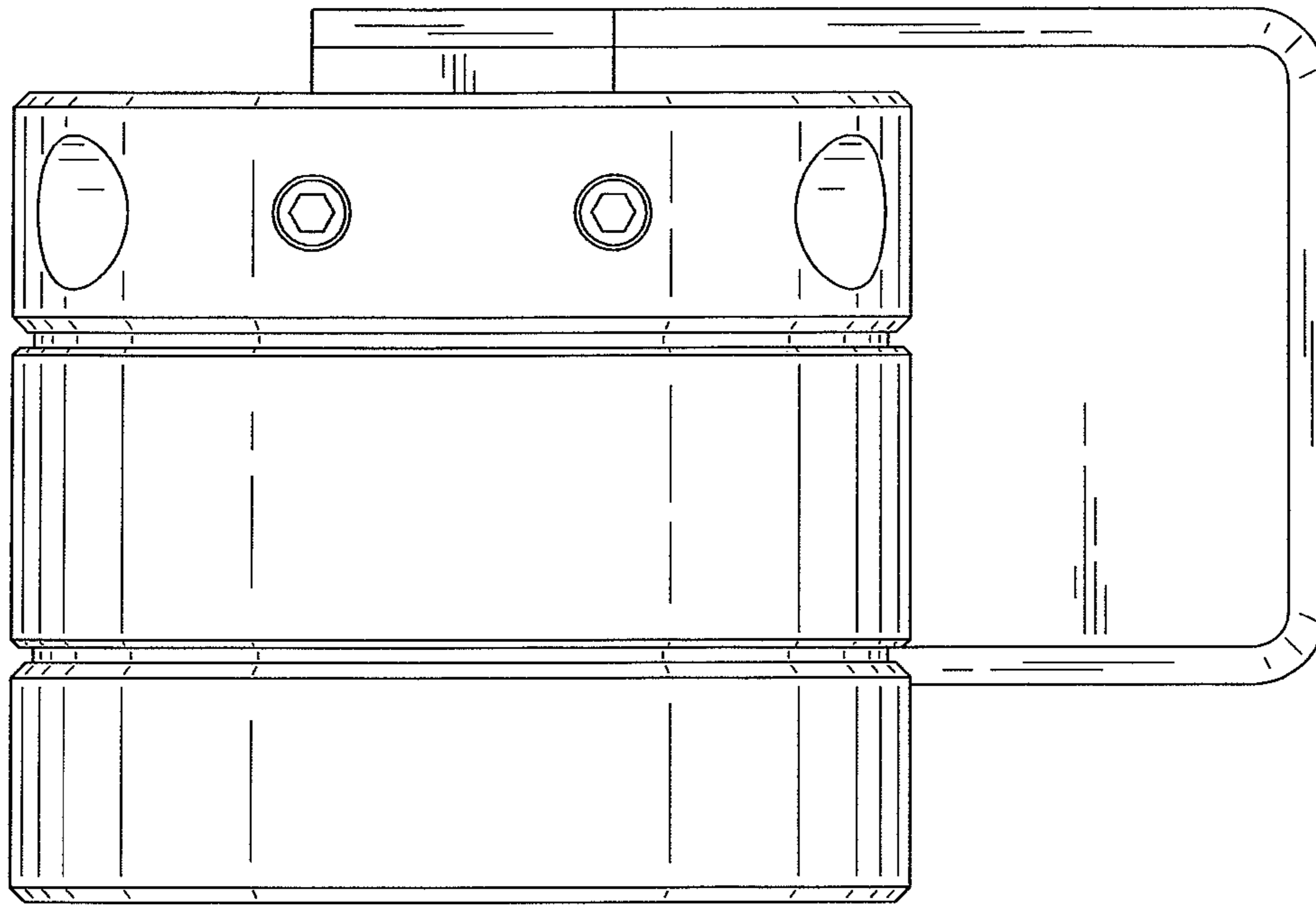


FIG. 2

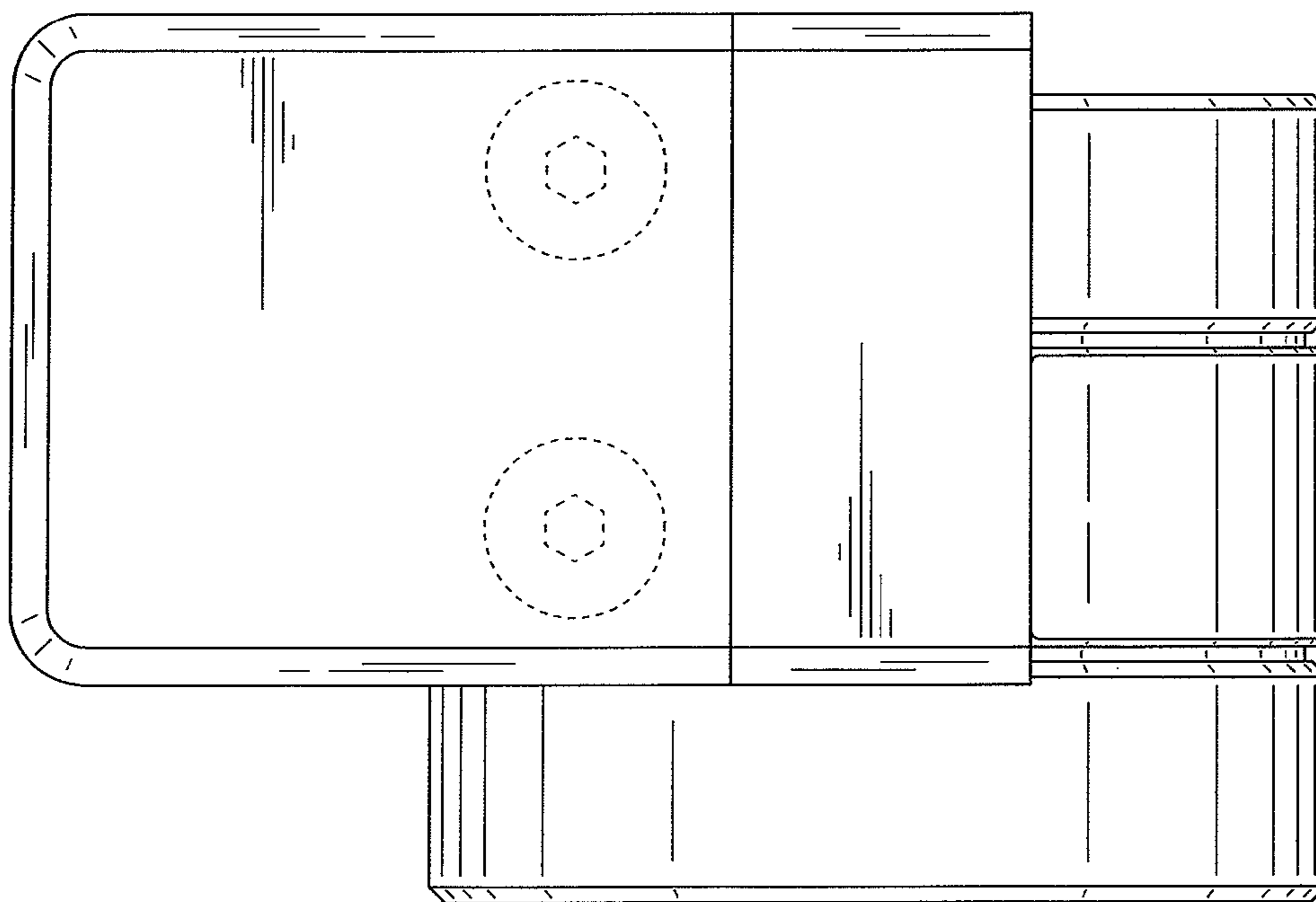


FIG. 3

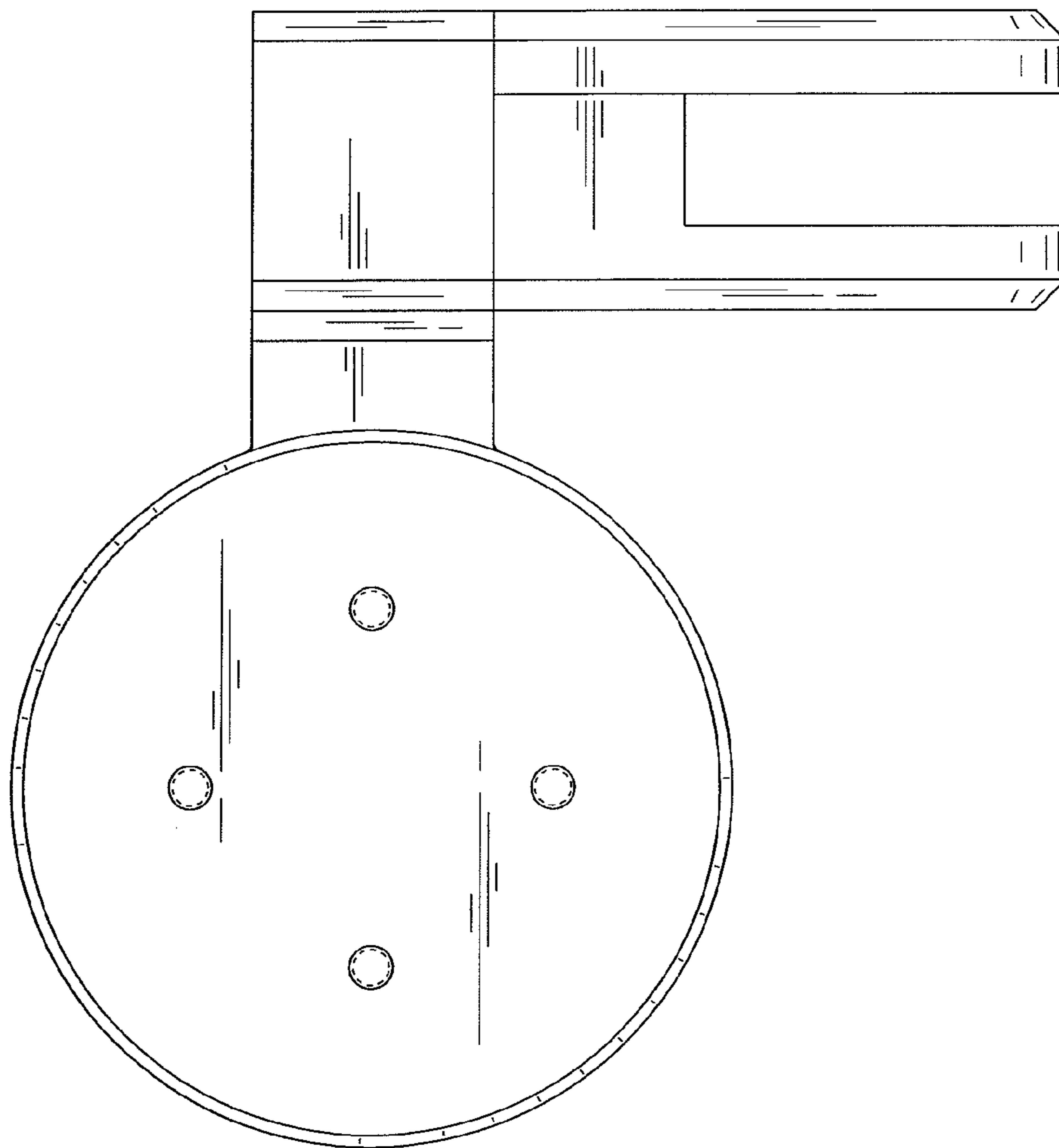


FIG. 4

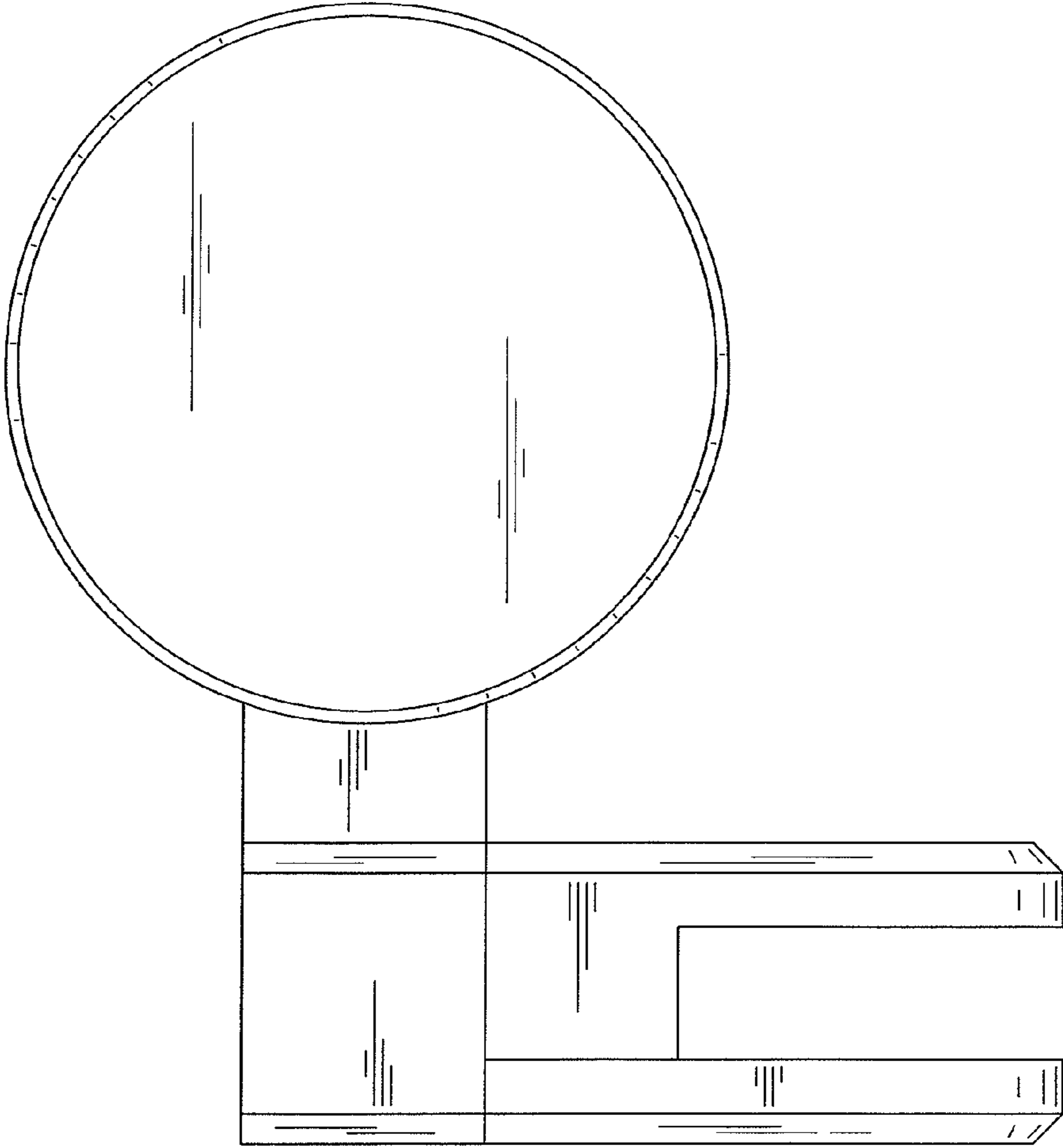


FIG. 5

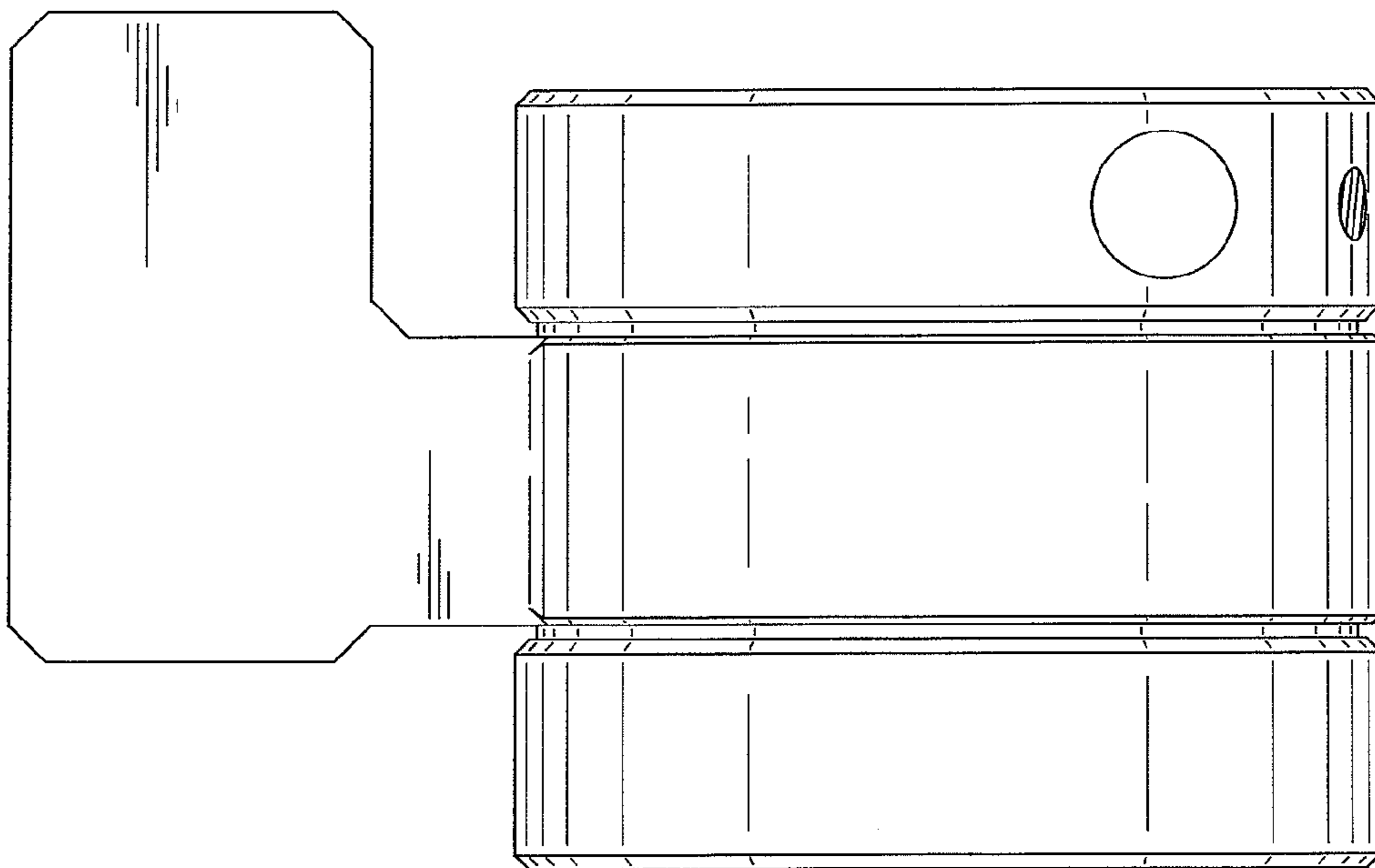


FIG. 6

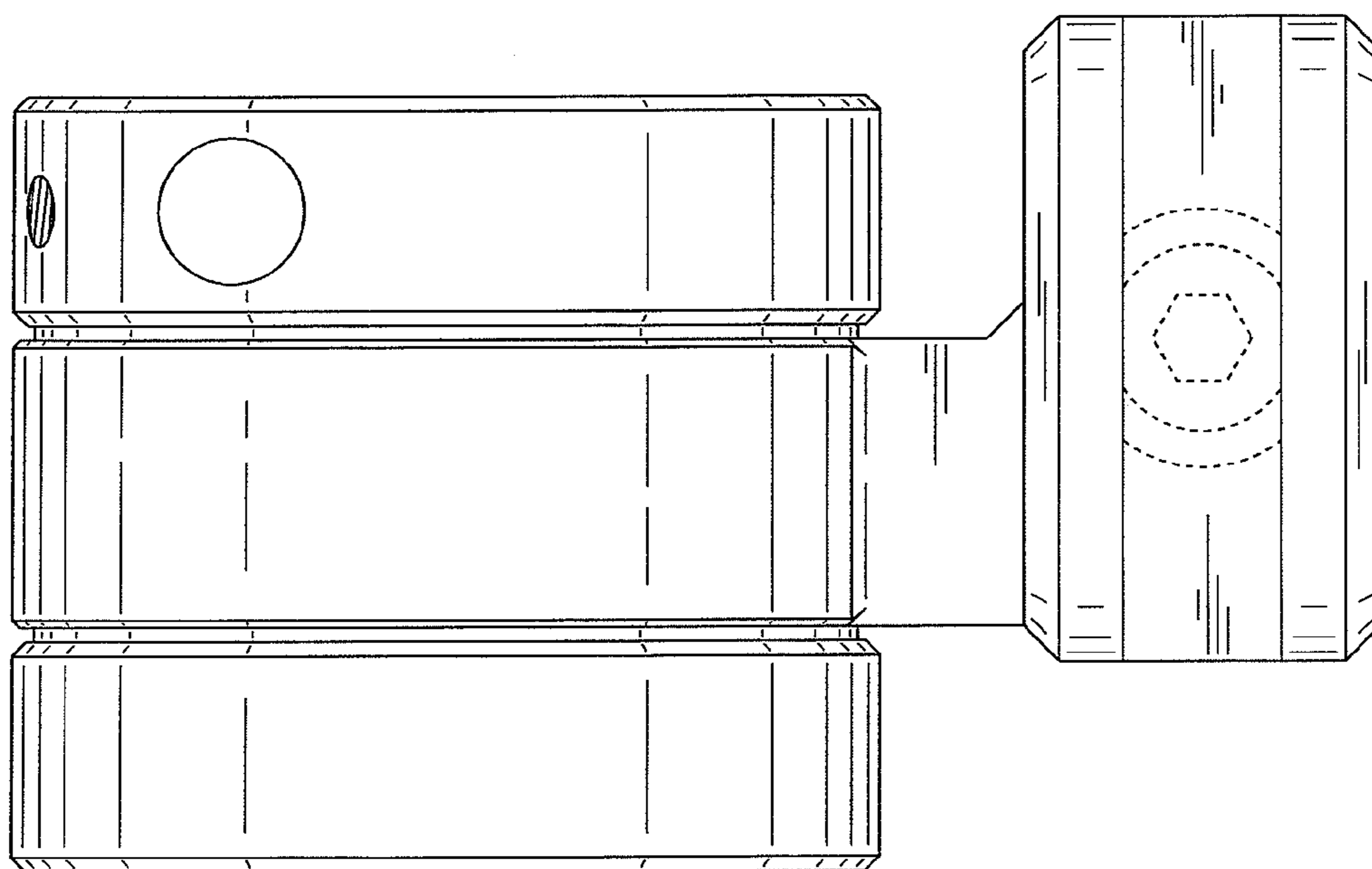


FIG. 7

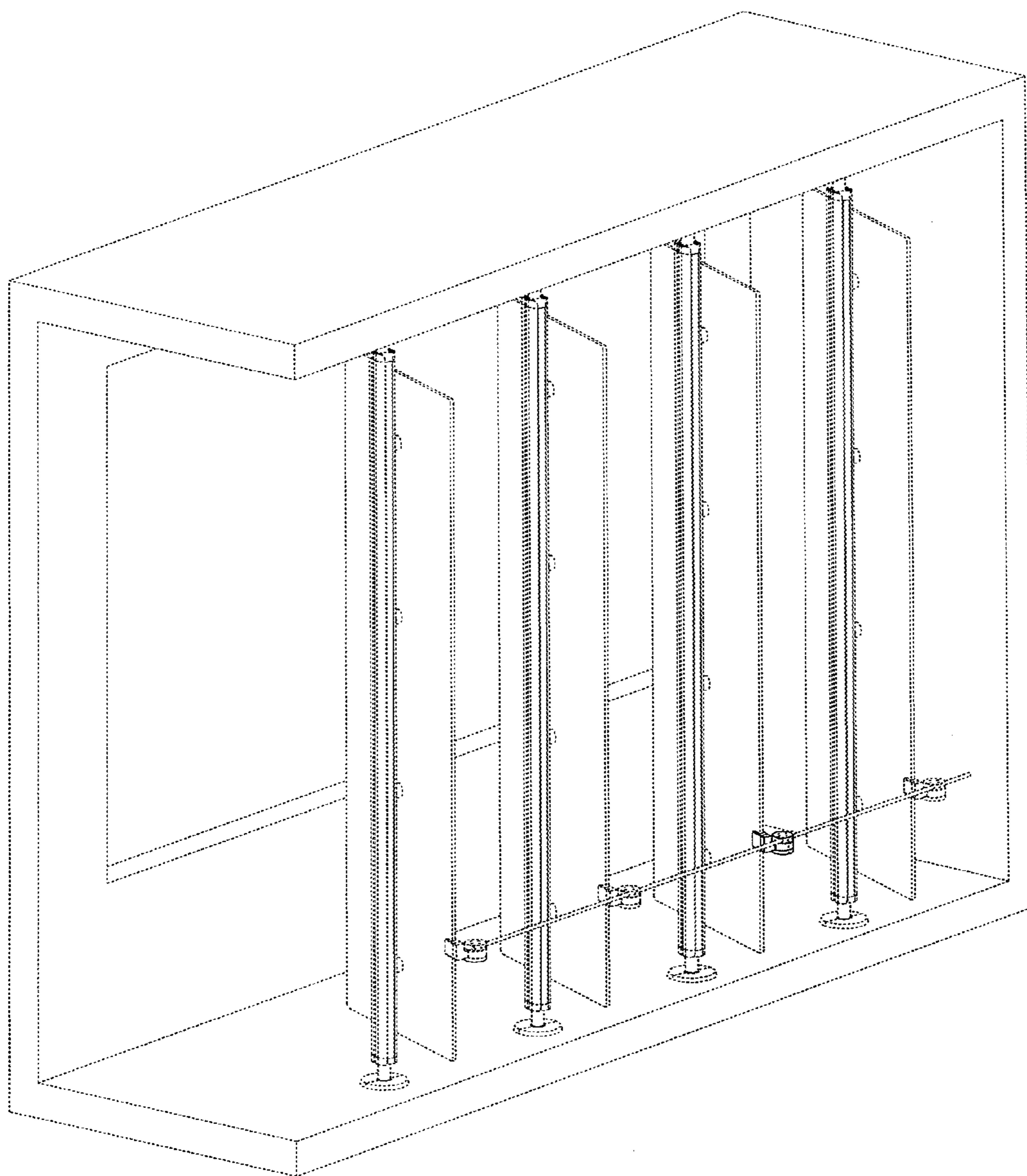


FIG. 8

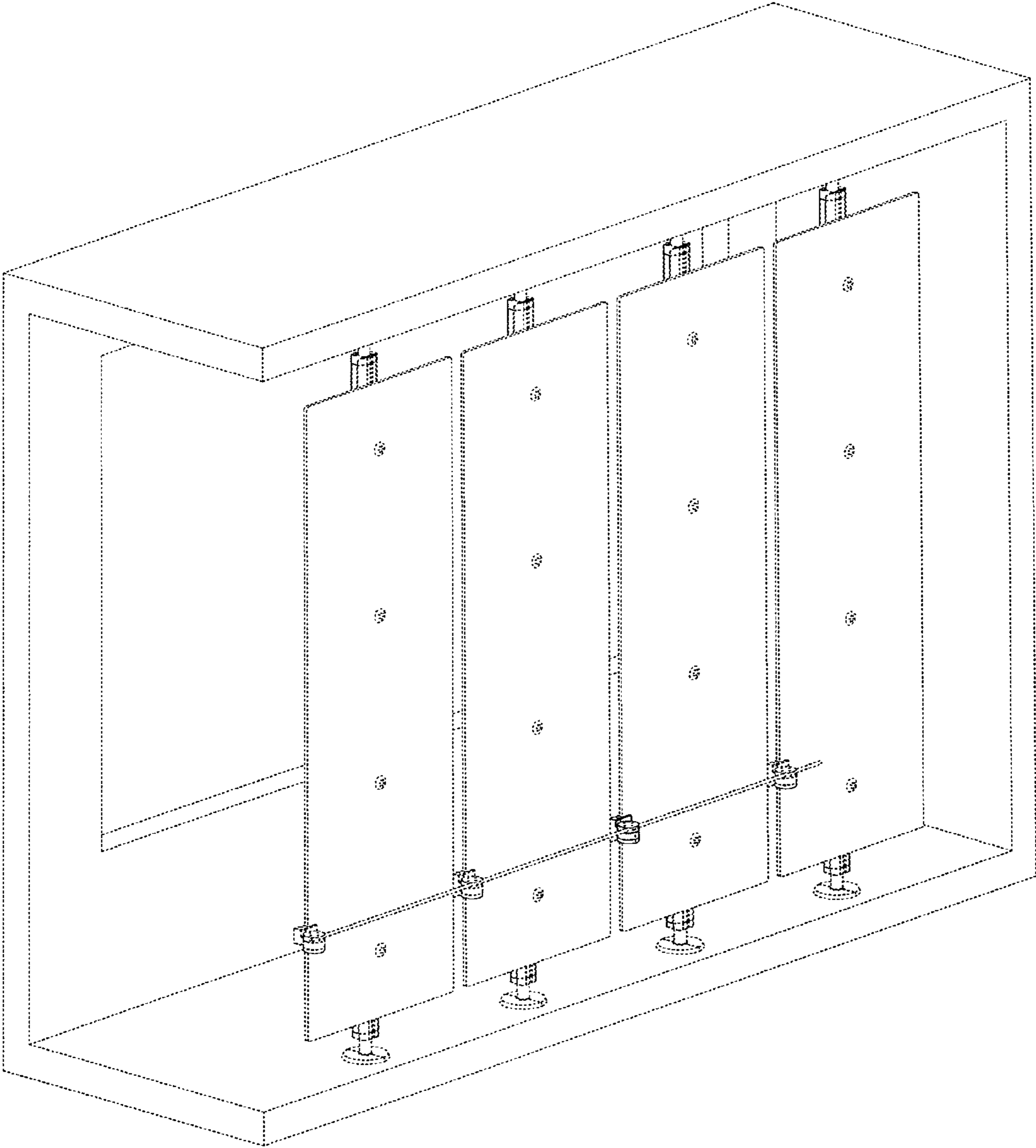


FIG. 9

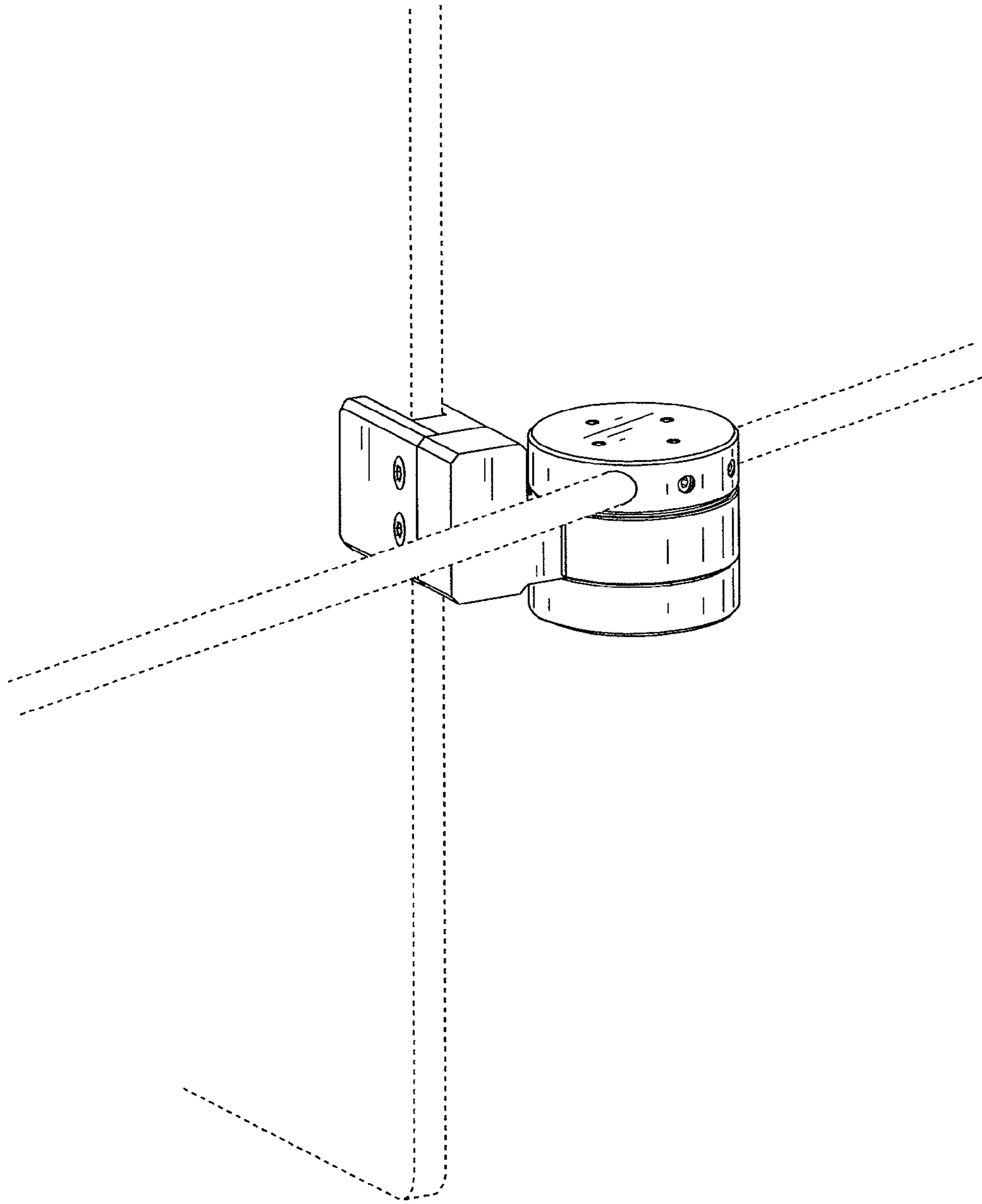


FIG. 10