



US00D638695S

(12) **United States Design Patent**
Woodrow et al.

(10) **Patent No.:** **US D638,695 S**

(45) **Date of Patent:** **** May 31, 2011**

(54) **FASTENER**

DESCRIPTION

(75) Inventors: **Jason C. Woodrow**, Seattle, WA (US);
Tyler R. M. Kope, Seattle, WA (US)

FIG. 1 is a top left side perspective view of a fastener showing our new design.

(73) Assignee: **Black Rapid, Inc.**, Seattle, WA (US)

FIG. 2 is a front elevational view thereof, the rear elevational view being a mirror image thereof.

(**) Term: **14 Years**

FIG. 3 is a left side elevational view thereof, the right side elevational view being a mirror image thereof.

(21) Appl. No.: **29/354,409**

FIG. 4 is a top plan view thereof.

(22) Filed: **Jan. 22, 2010**

FIG. 5 is a bottom plan view thereof.

(51) **LOC (9) Cl.** **08-08**

FIG. 6 is a top left side perspective view of a second embodiment thereof.

(52) **U.S. Cl.** **D8/382; D8/387**

FIG. 7 is a front elevational view thereof, the rear elevational view being a mirror image thereof.

(58) **Field of Classification Search** D8/382,
D8/387, 349, 367; 411/410, 403, 400, 378;
248/74.3

FIG. 8 is a left side elevational view thereof, the right side elevational view being a mirror image thereof.

See application file for complete search history.

FIG. 9 is a top plan view thereof.

(56) **References Cited**

FIG. 10 is a bottom plan view thereof.

U.S. PATENT DOCUMENTS

FIG. 11 is a top left side perspective view of a third embodiment thereof.

1,876,720	A *	9/1932	Merrill	29/896.7
2,327,567	A *	8/1943	Stover	24/129 R
4,408,941	A *	10/1983	Motz	411/378
5,743,678	A *	4/1998	Pitre	405/259.1
D413,509	S *	9/1999	Robertson	D8/387
5,992,910	A *	11/1999	Kwon	294/1.1
D605,500	S *	12/2009	Lee et al.	D8/387
D614,941	S *	5/2010	Murphy	D8/387
7,783,519	B2 *	8/2010	Alba et al.	705/26.1
D623,861	S *	9/2010	Kope et al.	D3/327
2003/0180118	A1 *	9/2003	Alba et al.	411/400

FIG. 12 is a front elevational view thereof, the rear elevational view being a mirror image thereof.

* cited by examiner

FIG. 13 is a left side elevational view thereof, the right side elevational view being a mirror image thereof.

Primary Examiner — Holly H Baynham

Assistant Examiner — Sheryl Lane

FIG. 14 is a top plan view thereof.

(74) *Attorney, Agent, or Firm* — Davis Wright Tremaine LLP; George C. Rondeau, Jr.

FIG. 15 is a bottom plan view thereof.

FIG. 16 is a top left side perspective view of a fourth embodiment thereof.

(57) **CLAIM**

The ornamental design for a fastener, as shown and described.

FIG. 17 is a front elevational view thereof, the rear elevational view being a mirror image thereof.

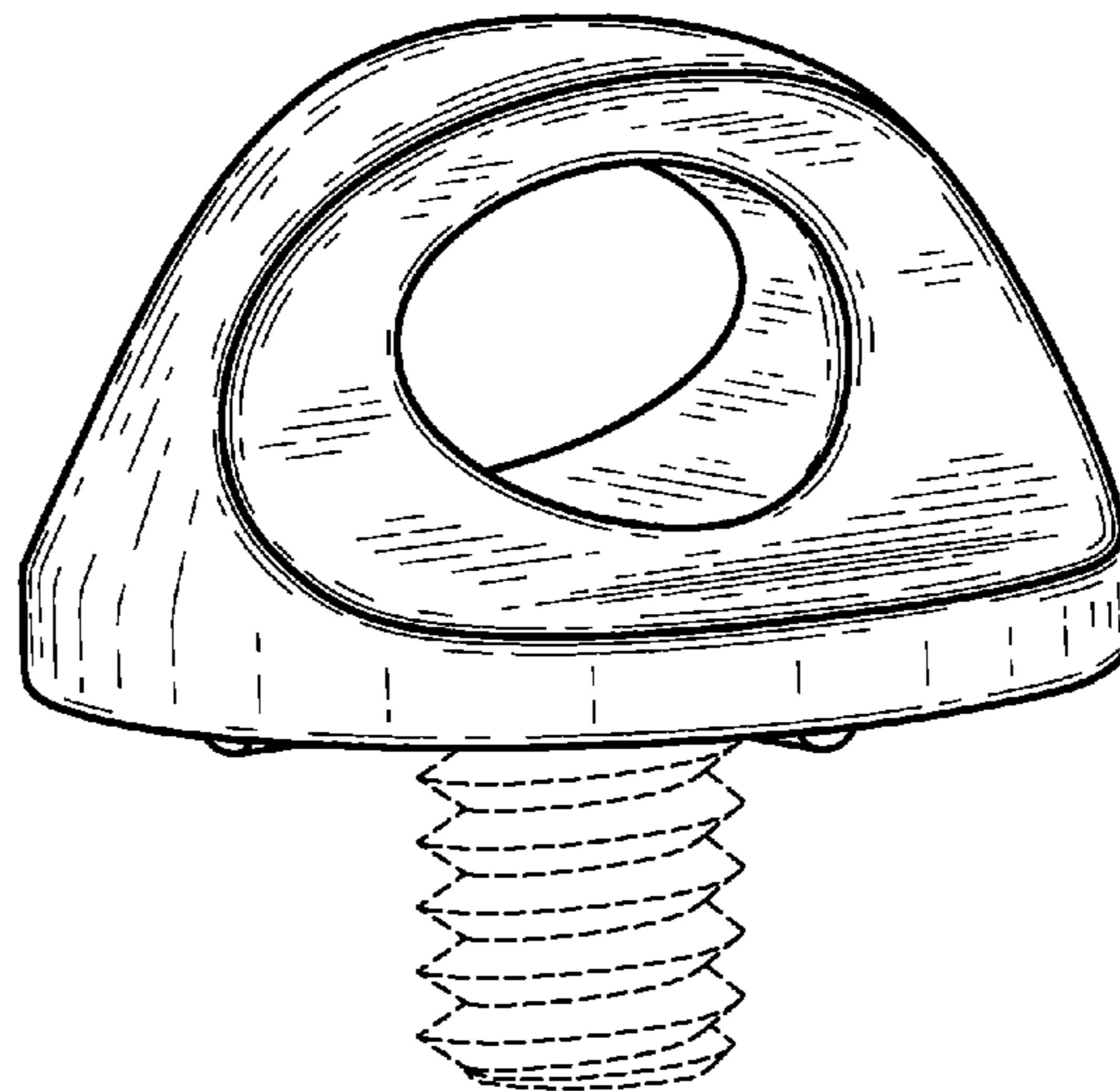
FIG. 18 is a left side elevational view thereof, the right side elevational view being a mirror image thereof.

FIG. 19 is a top plan view thereof; and,

FIG. 20 is a bottom plan view thereof.

The broken lines represent portions of the fastener that form no part of the claim.

1 Claim, 8 Drawing Sheets



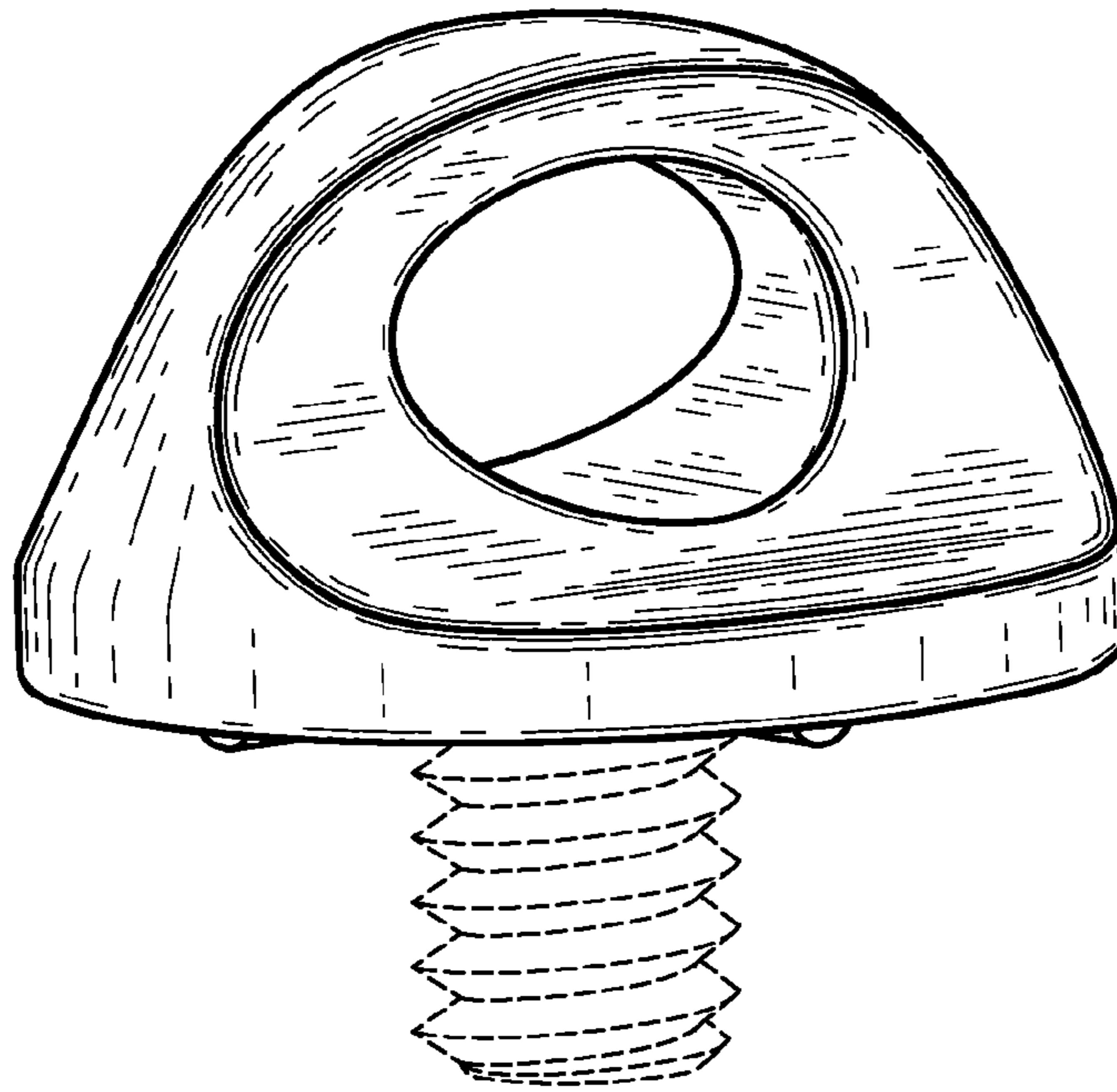


Fig. 1

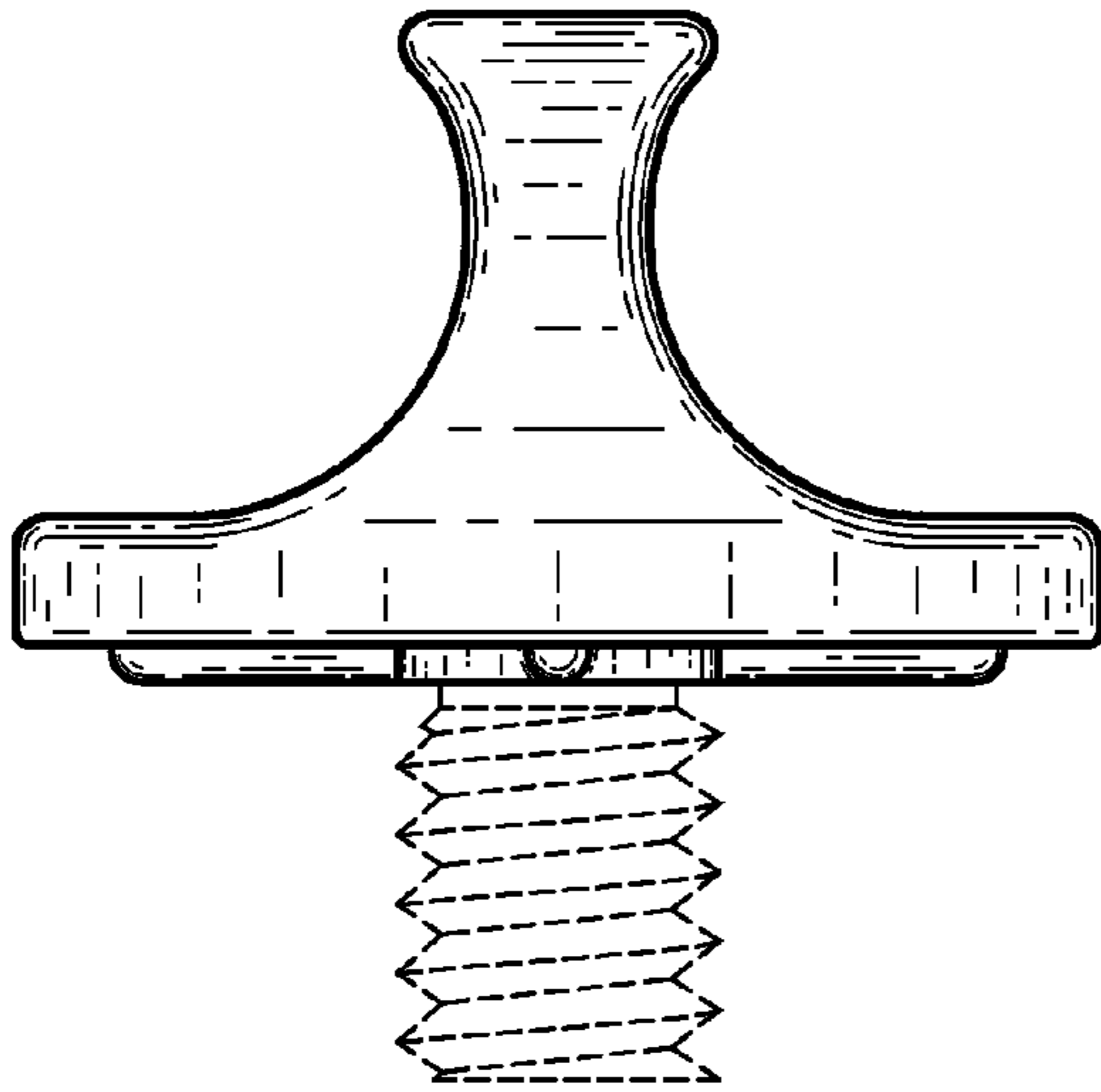


Fig. 2

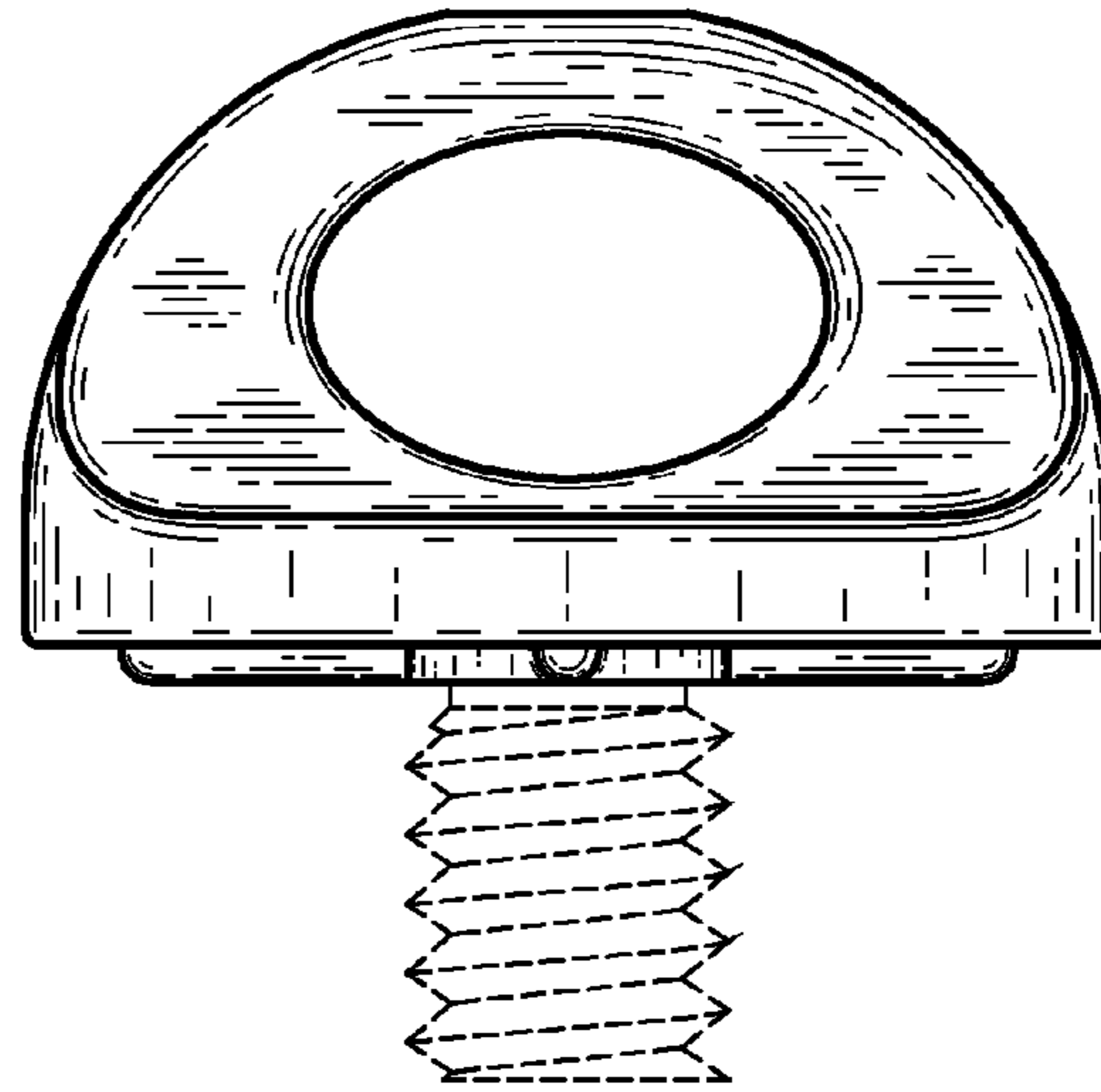


Fig. 3

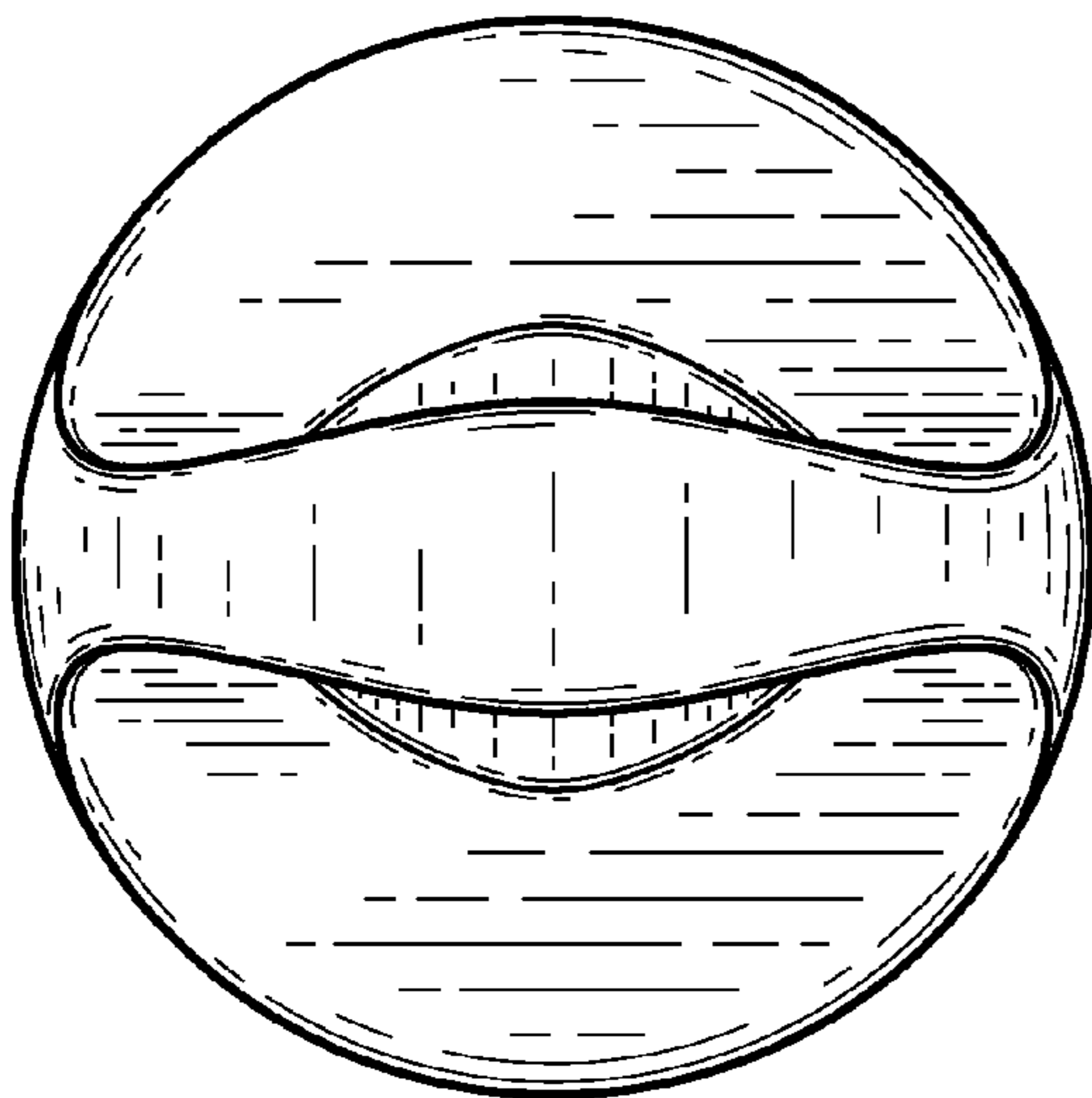


Fig. 4

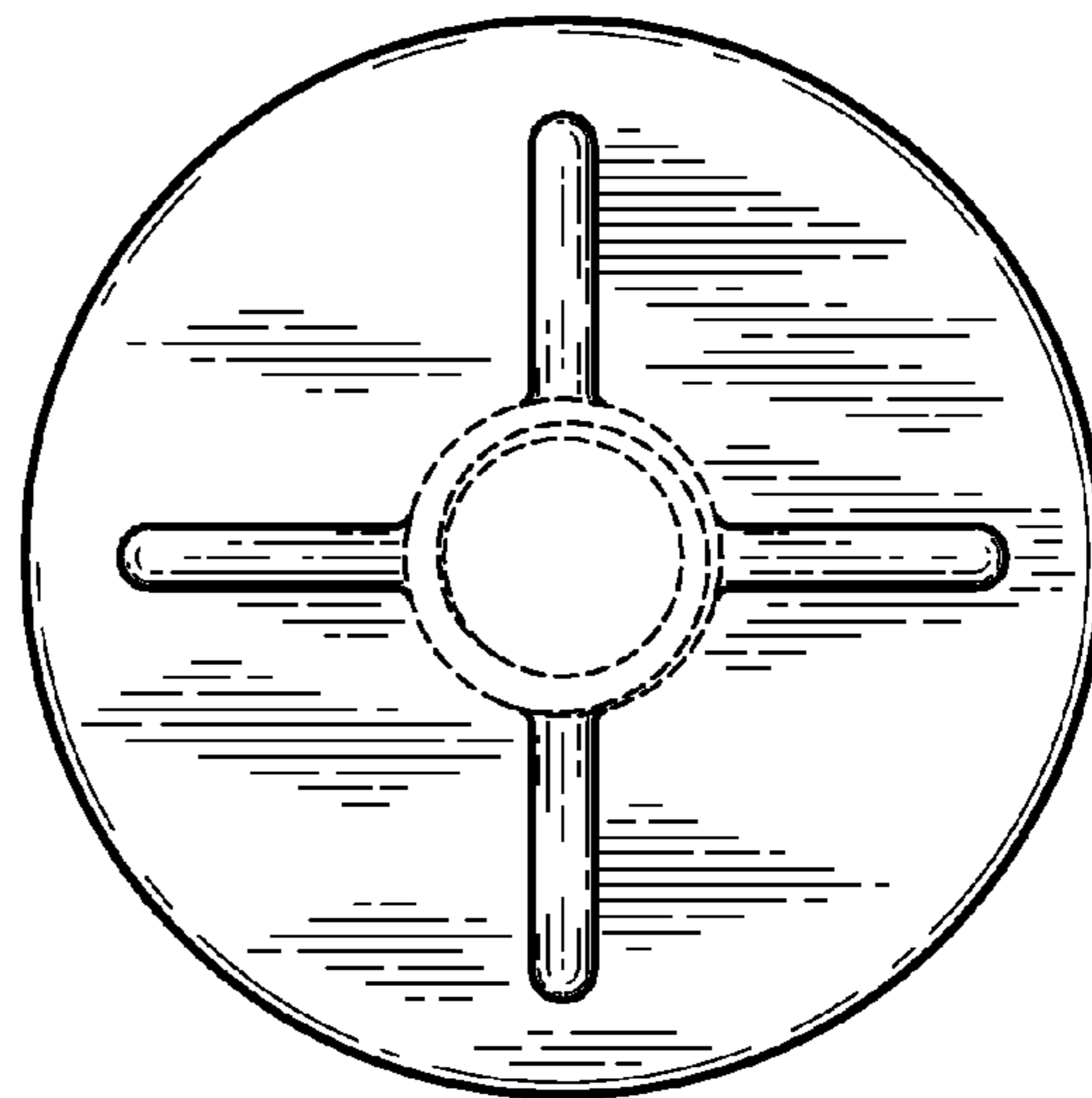


Fig. 5

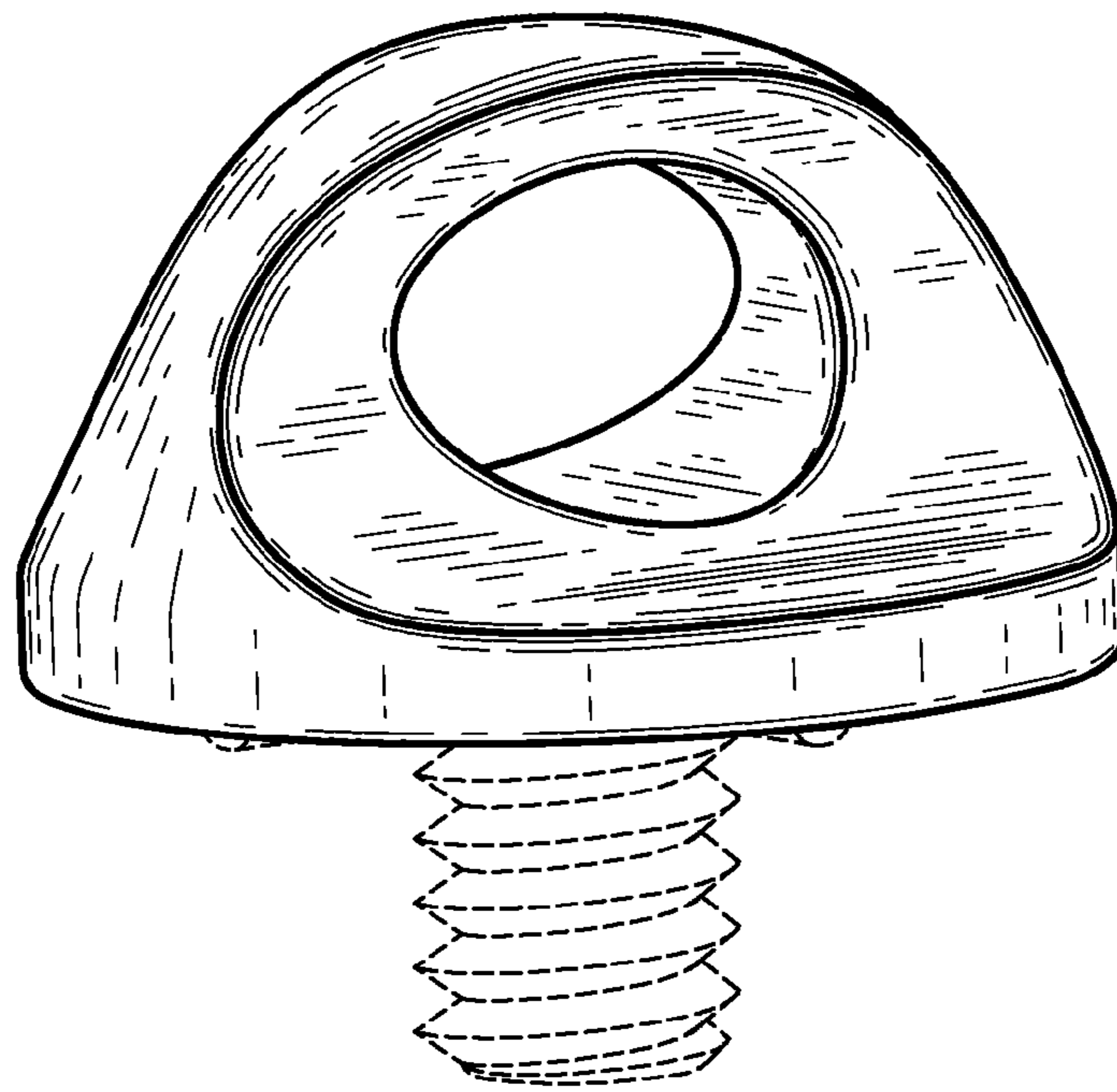


Fig. 6

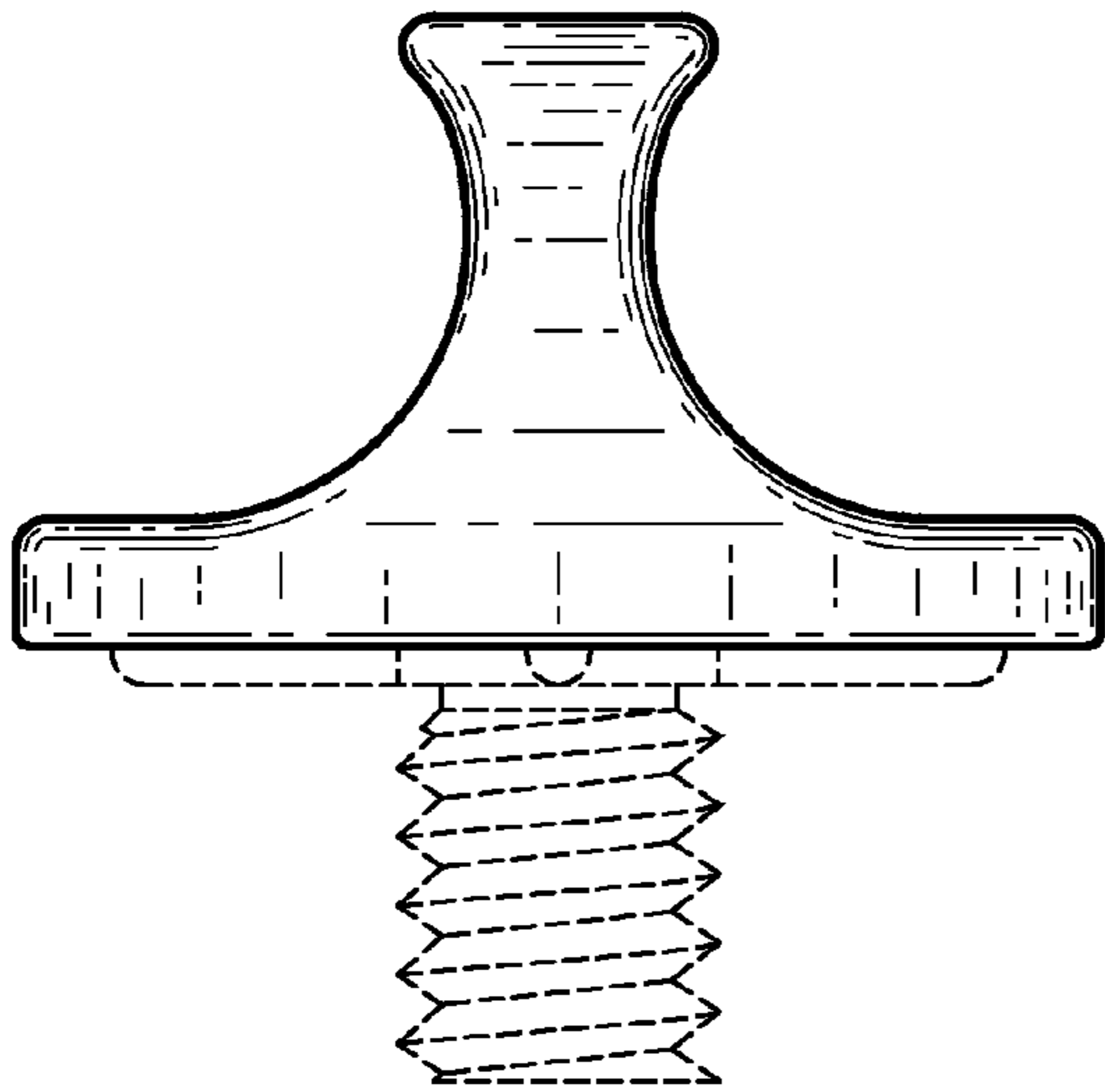


Fig. 7

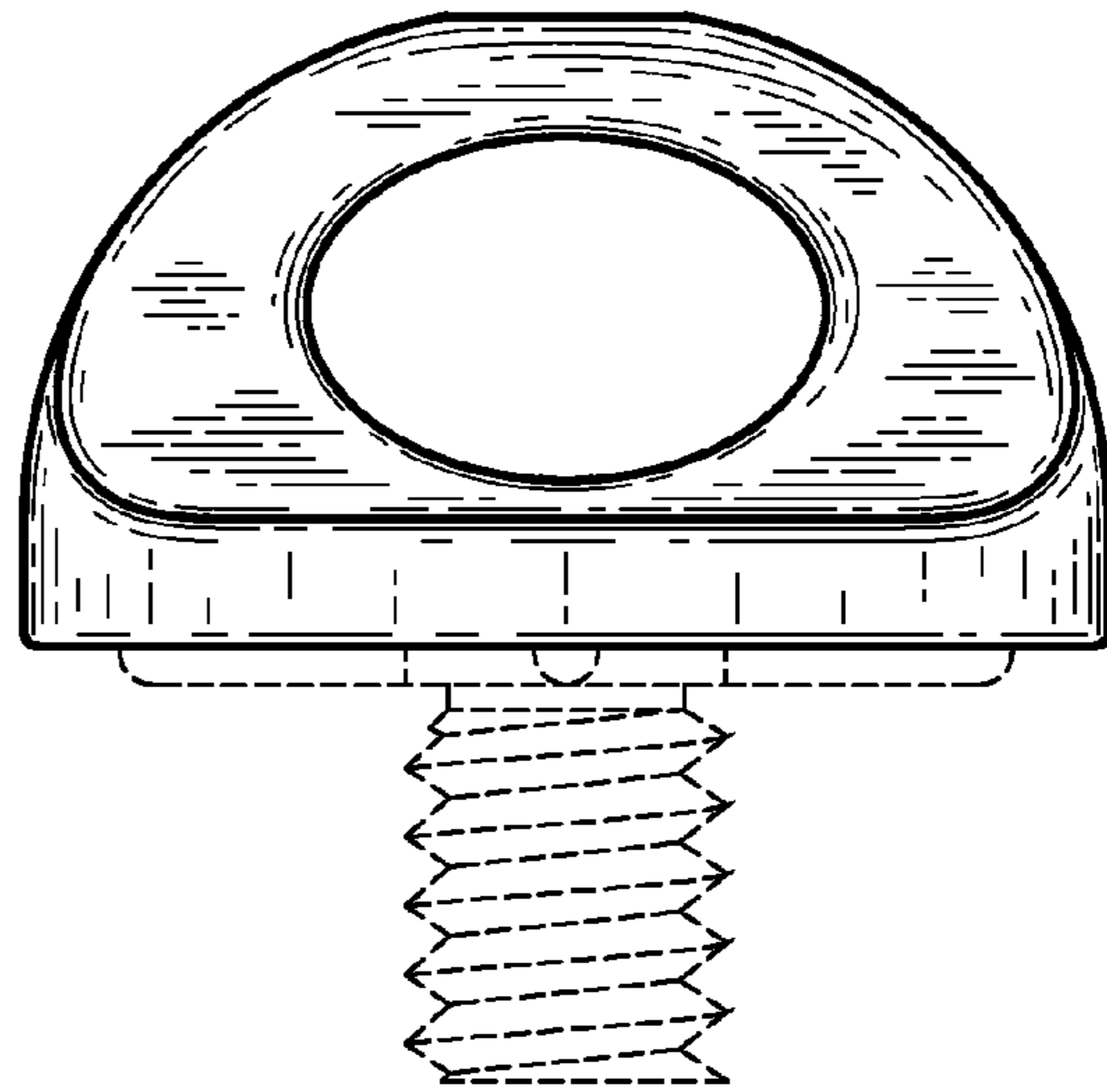


Fig. 8

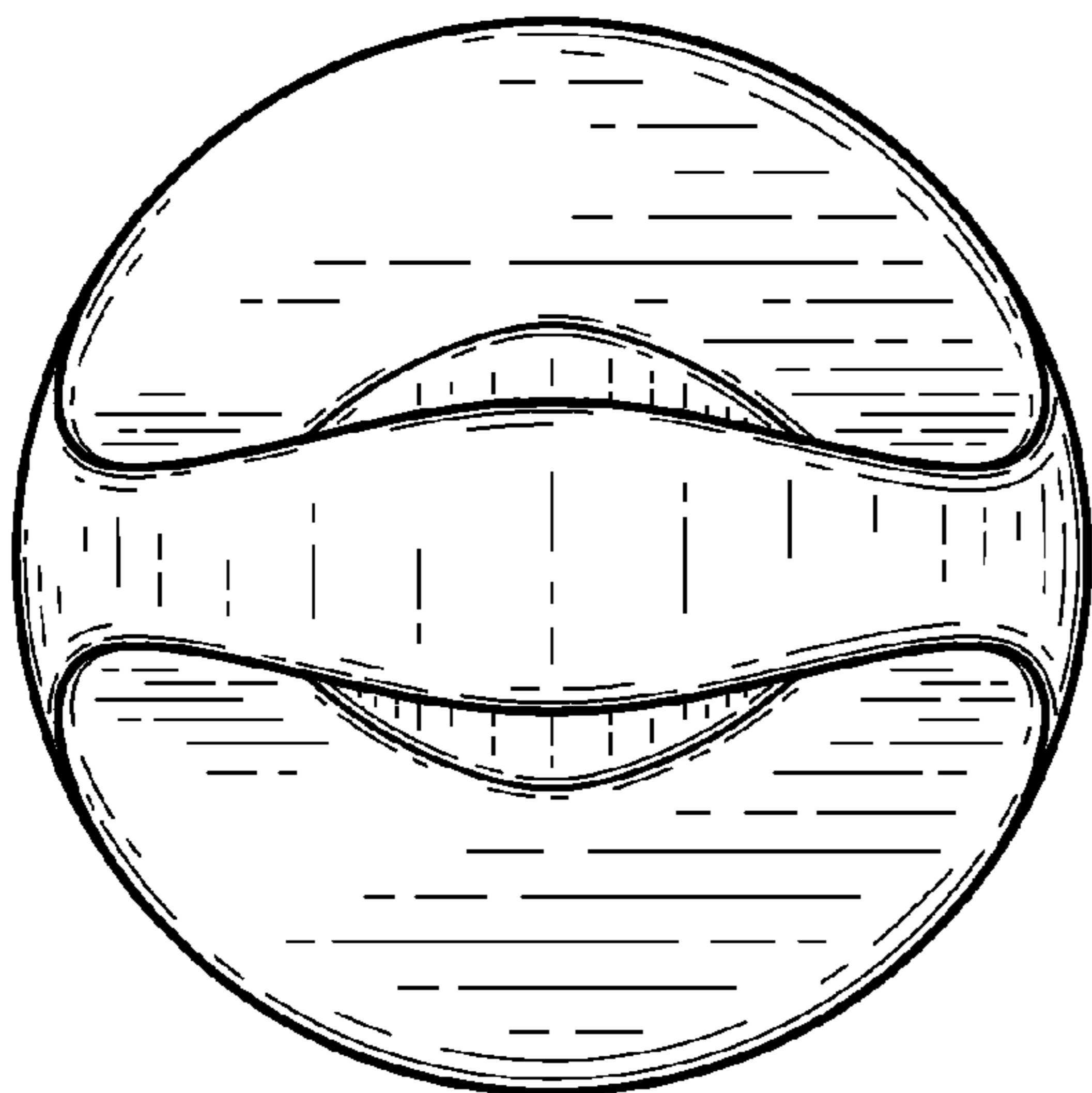


Fig. 9

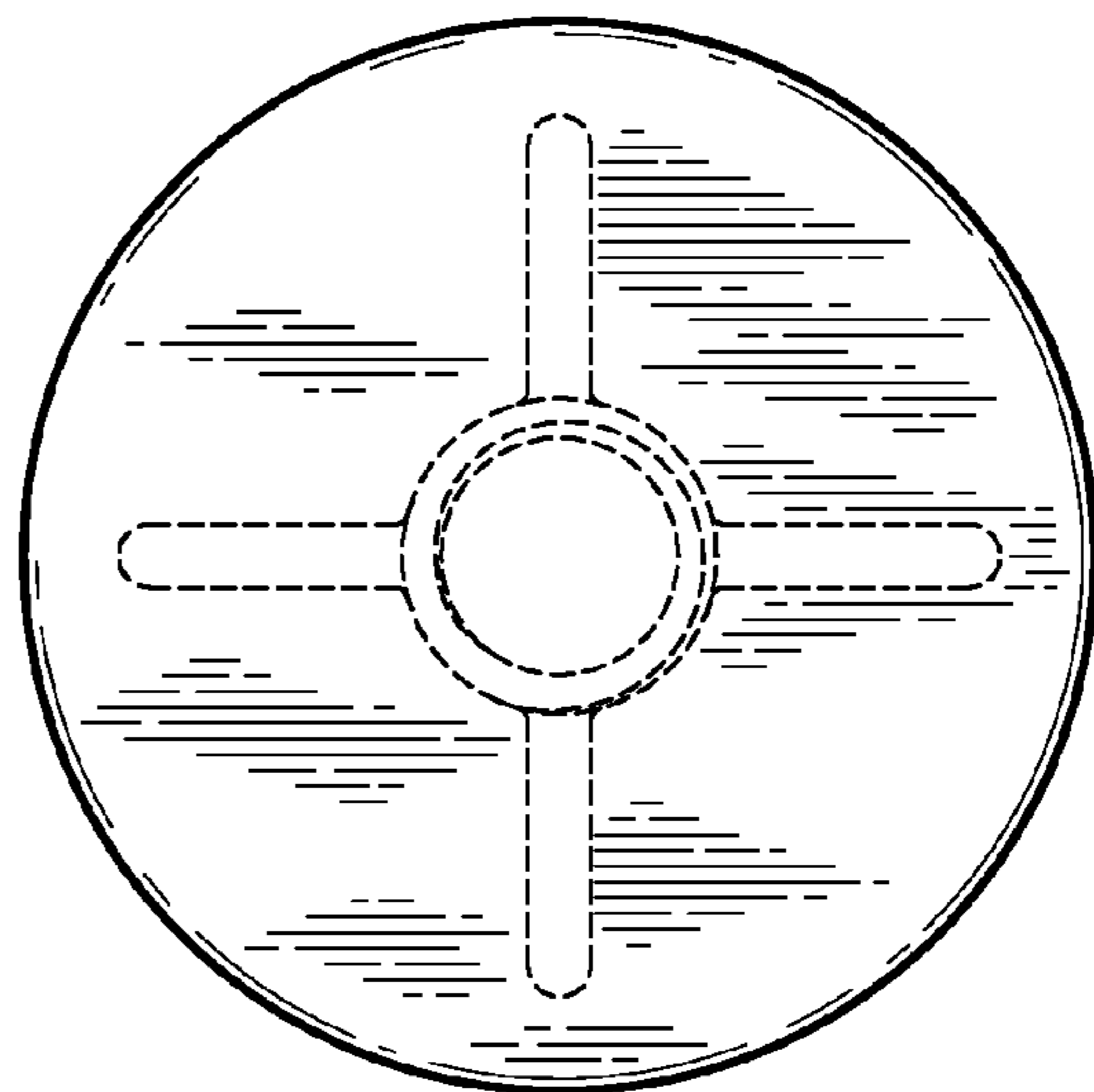


Fig. 10

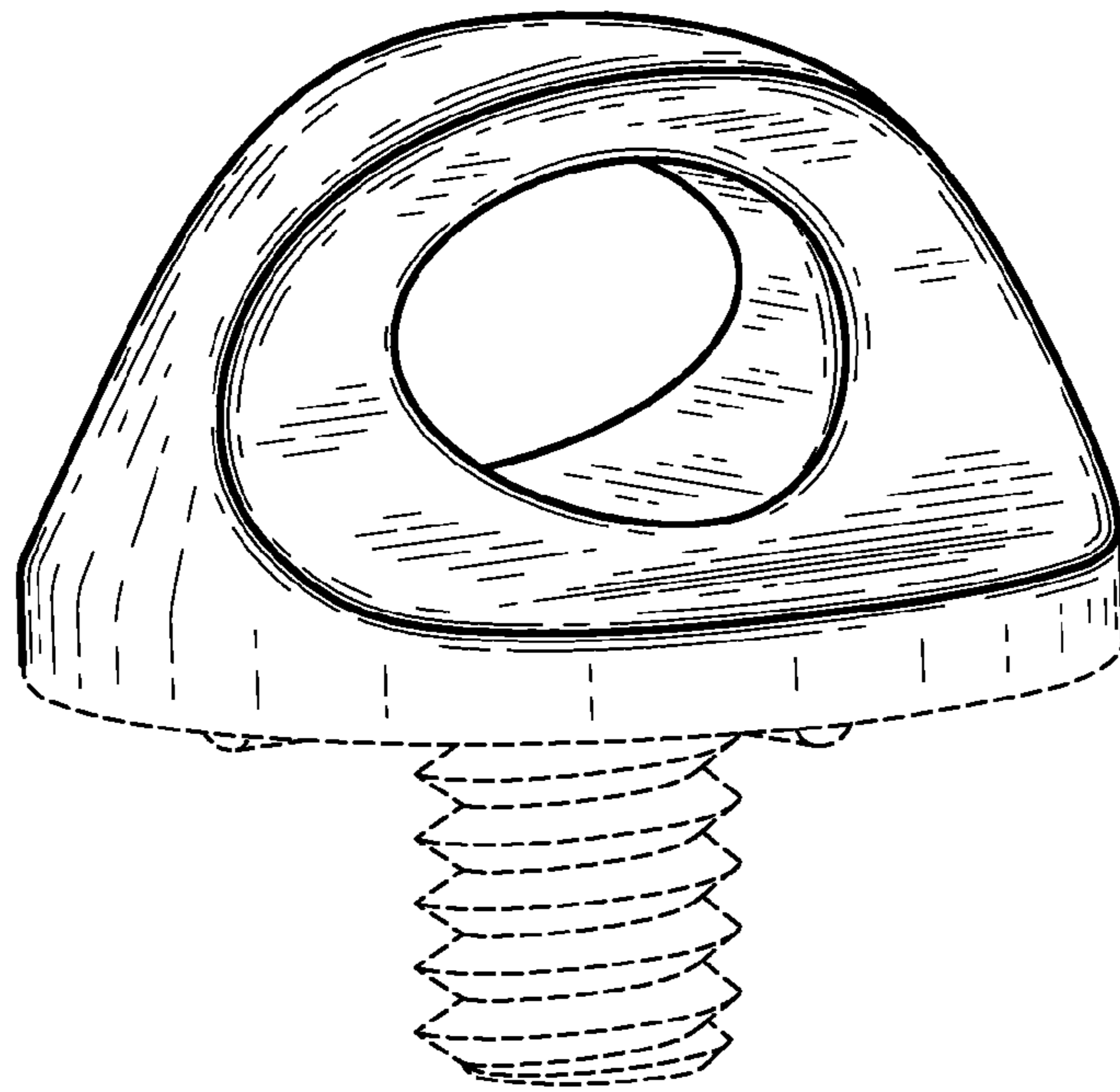


Fig. 11

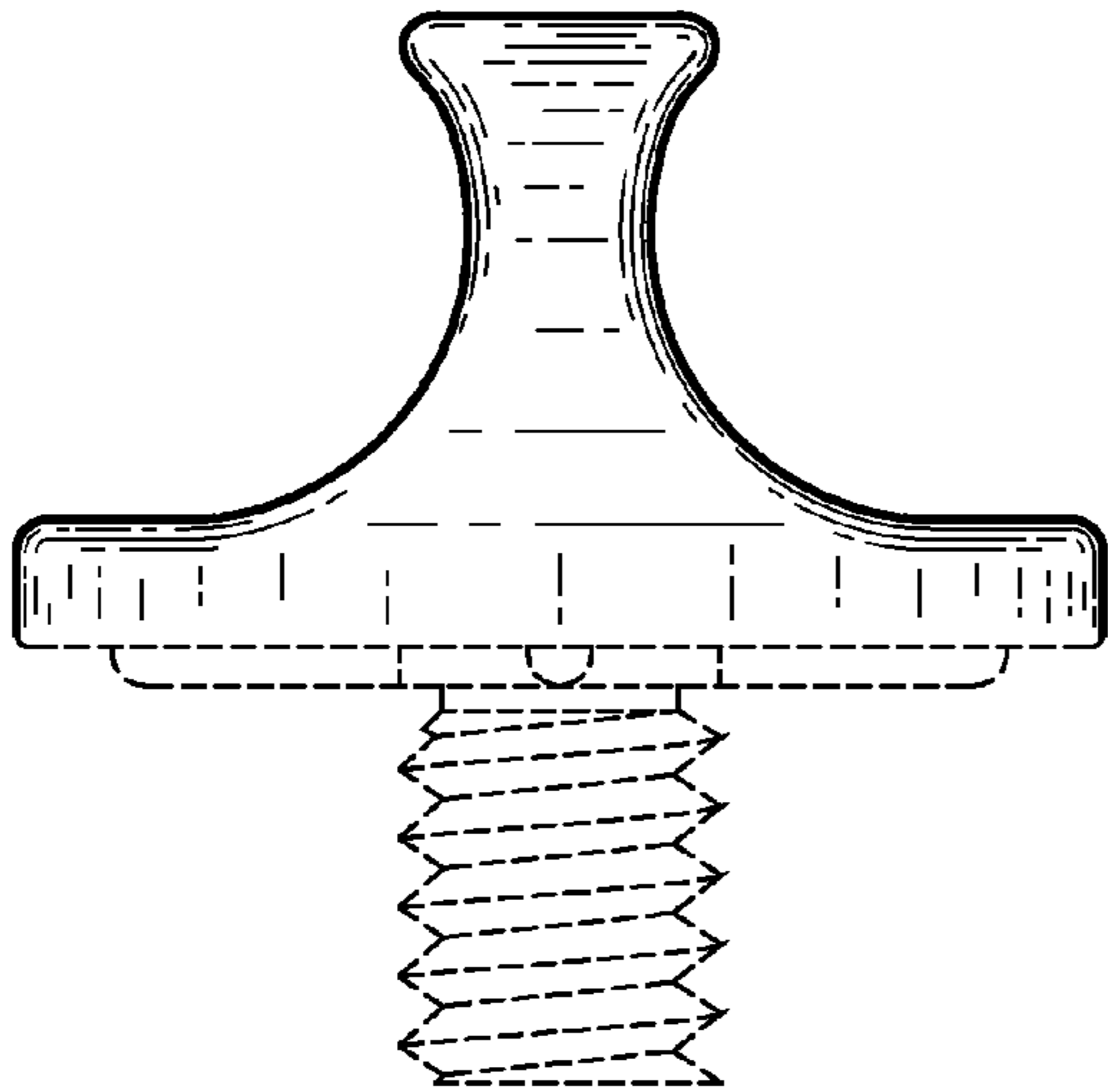


Fig. 12

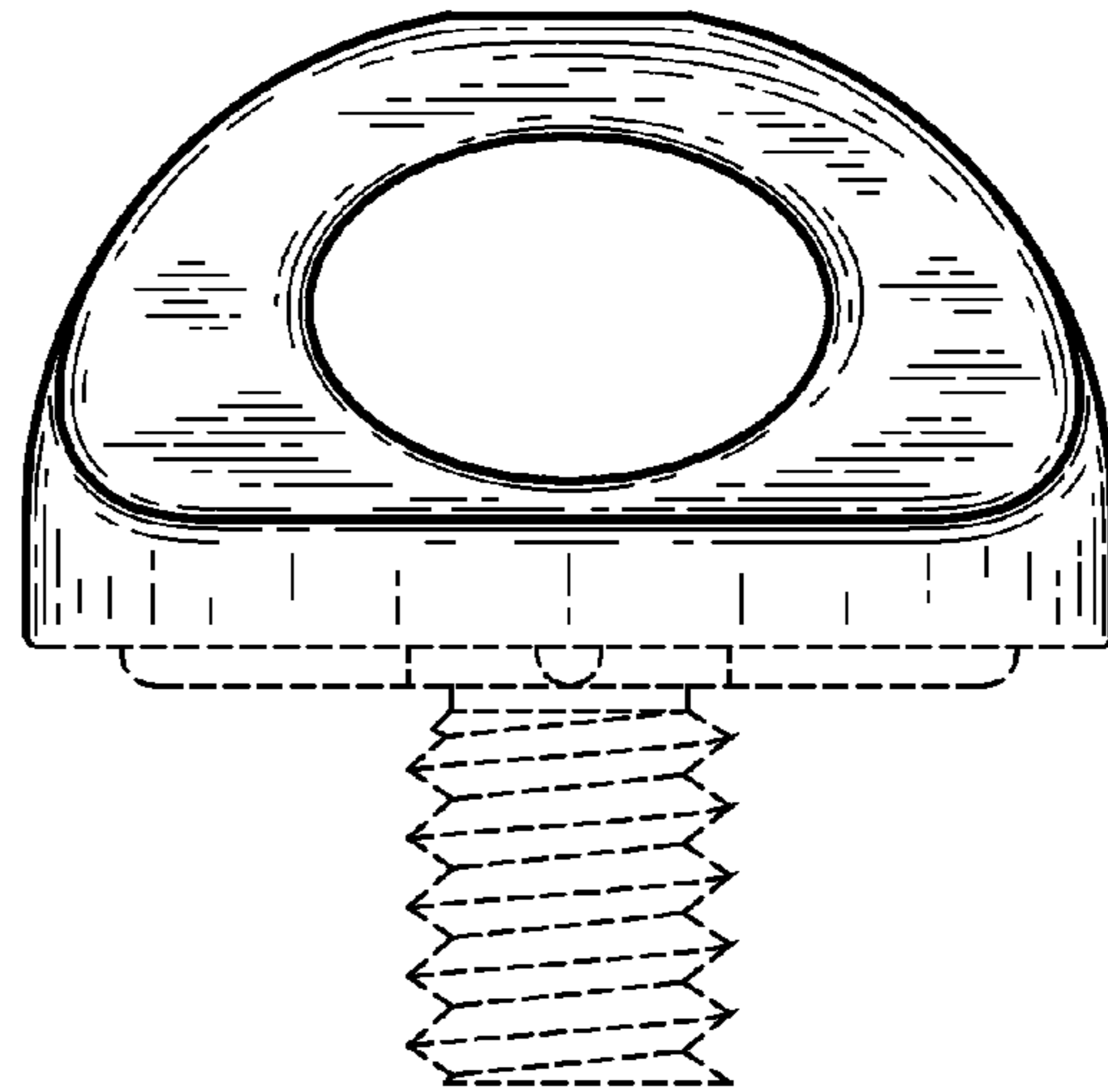


Fig. 13

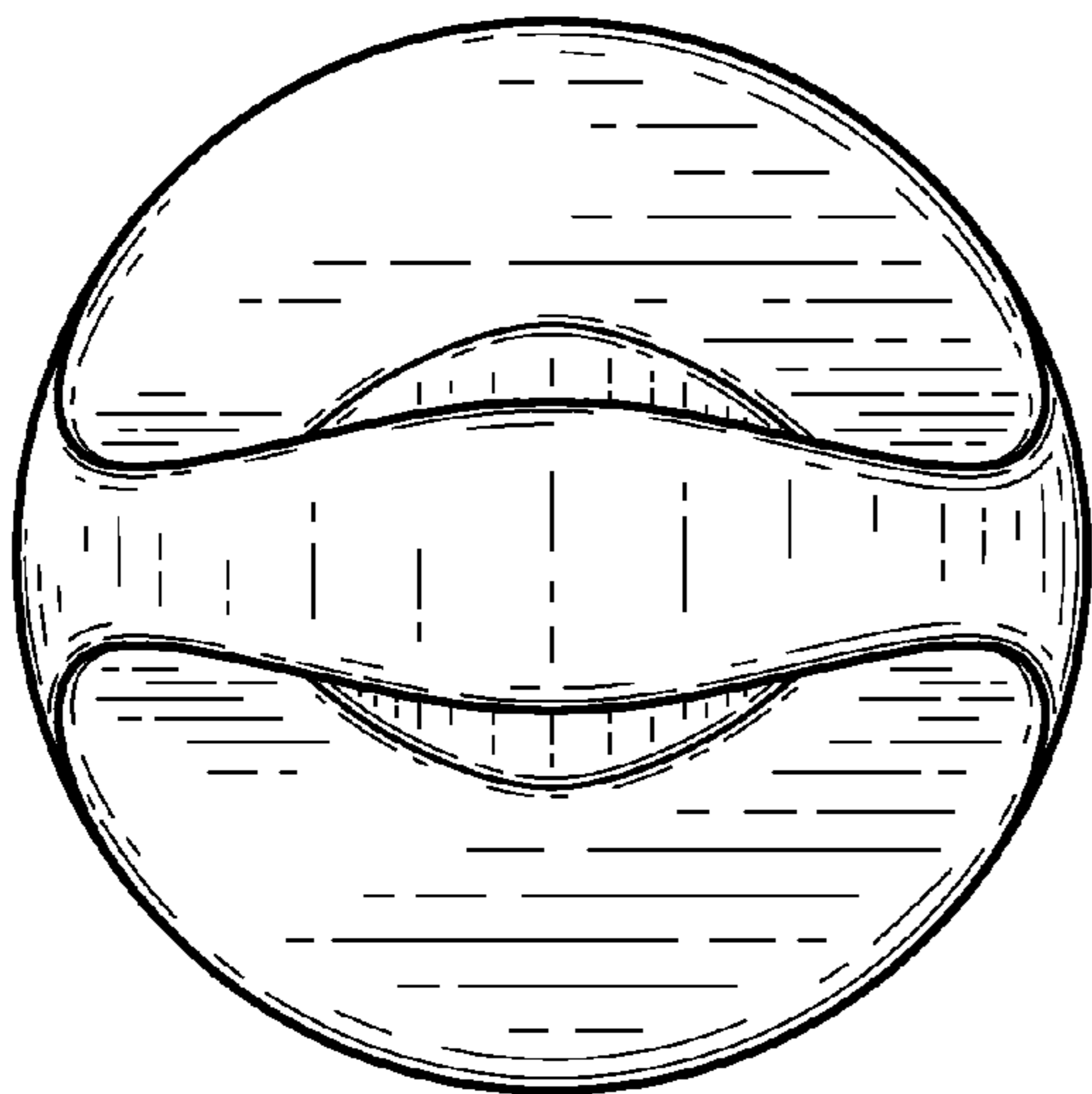


Fig. 14

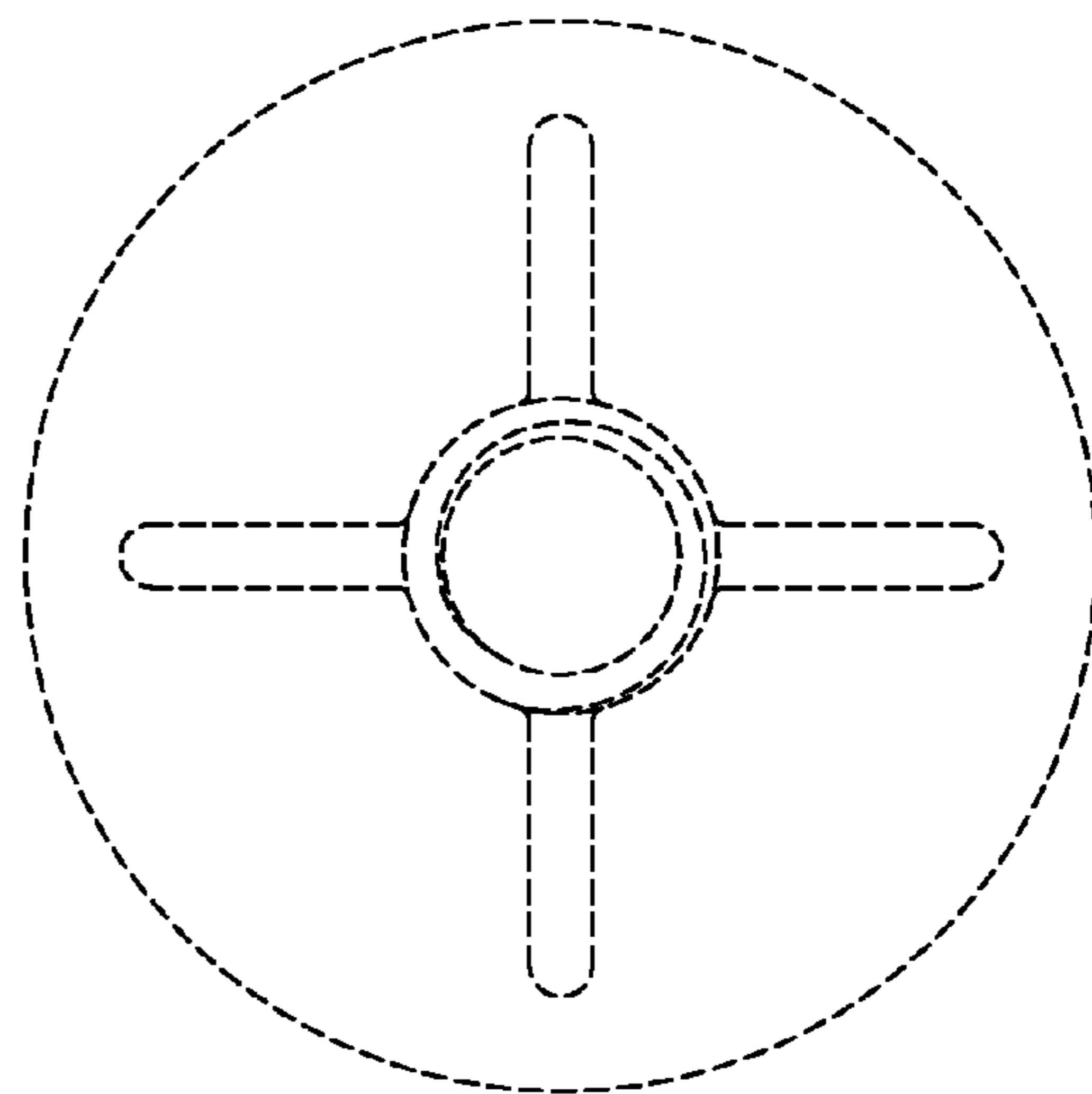


Fig. 15

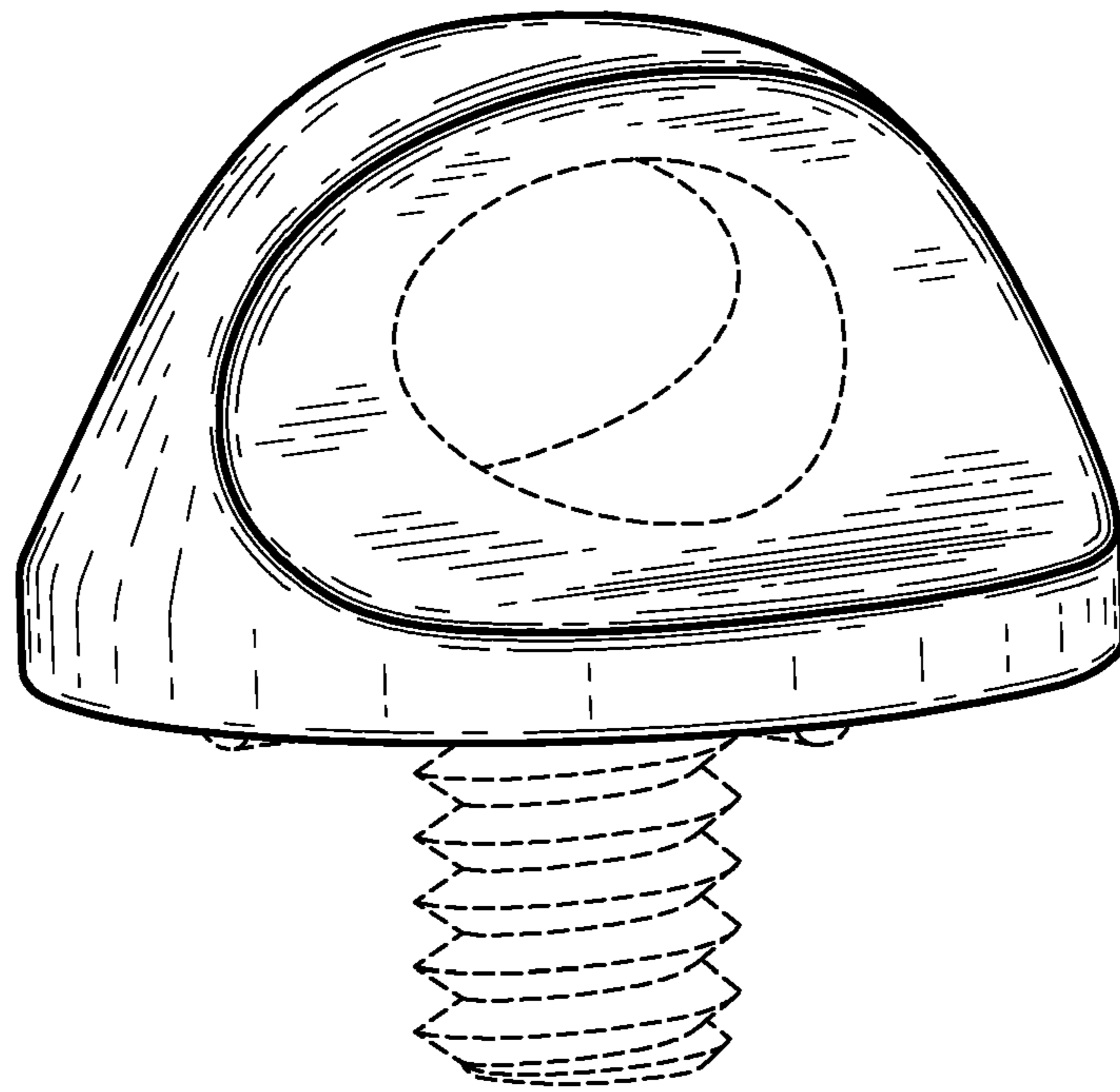


Fig. 16

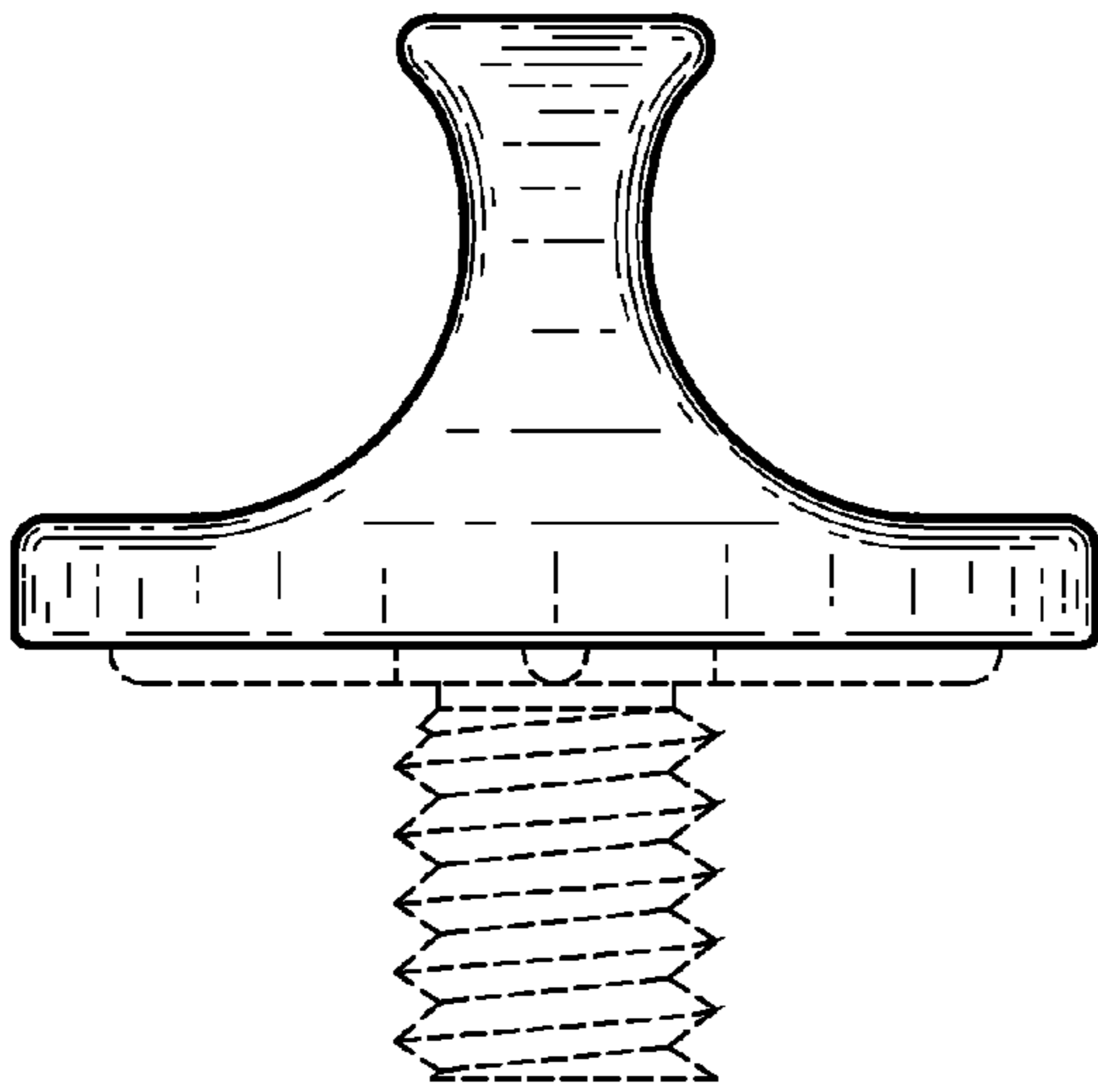


Fig. 17

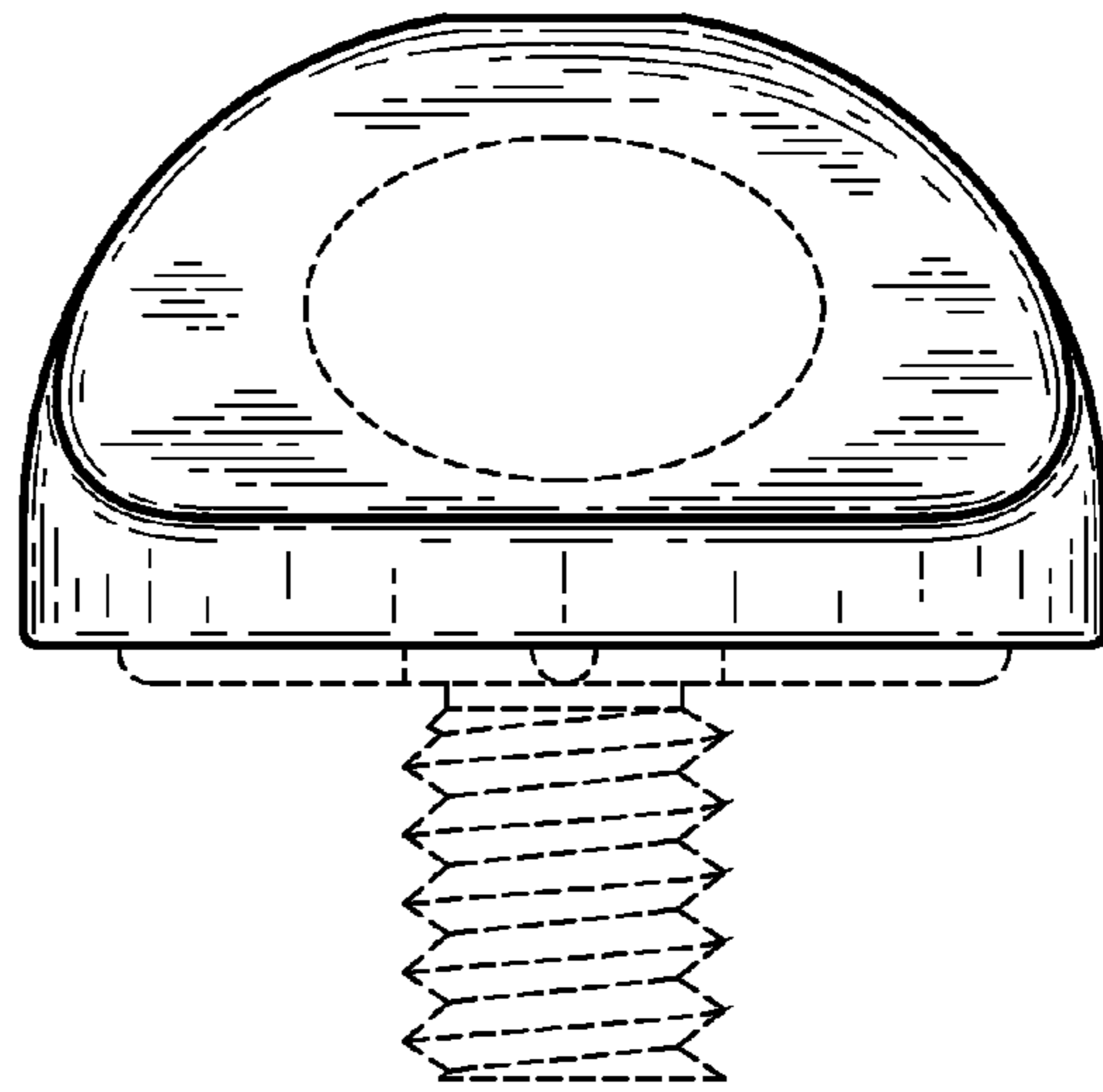


Fig. 18

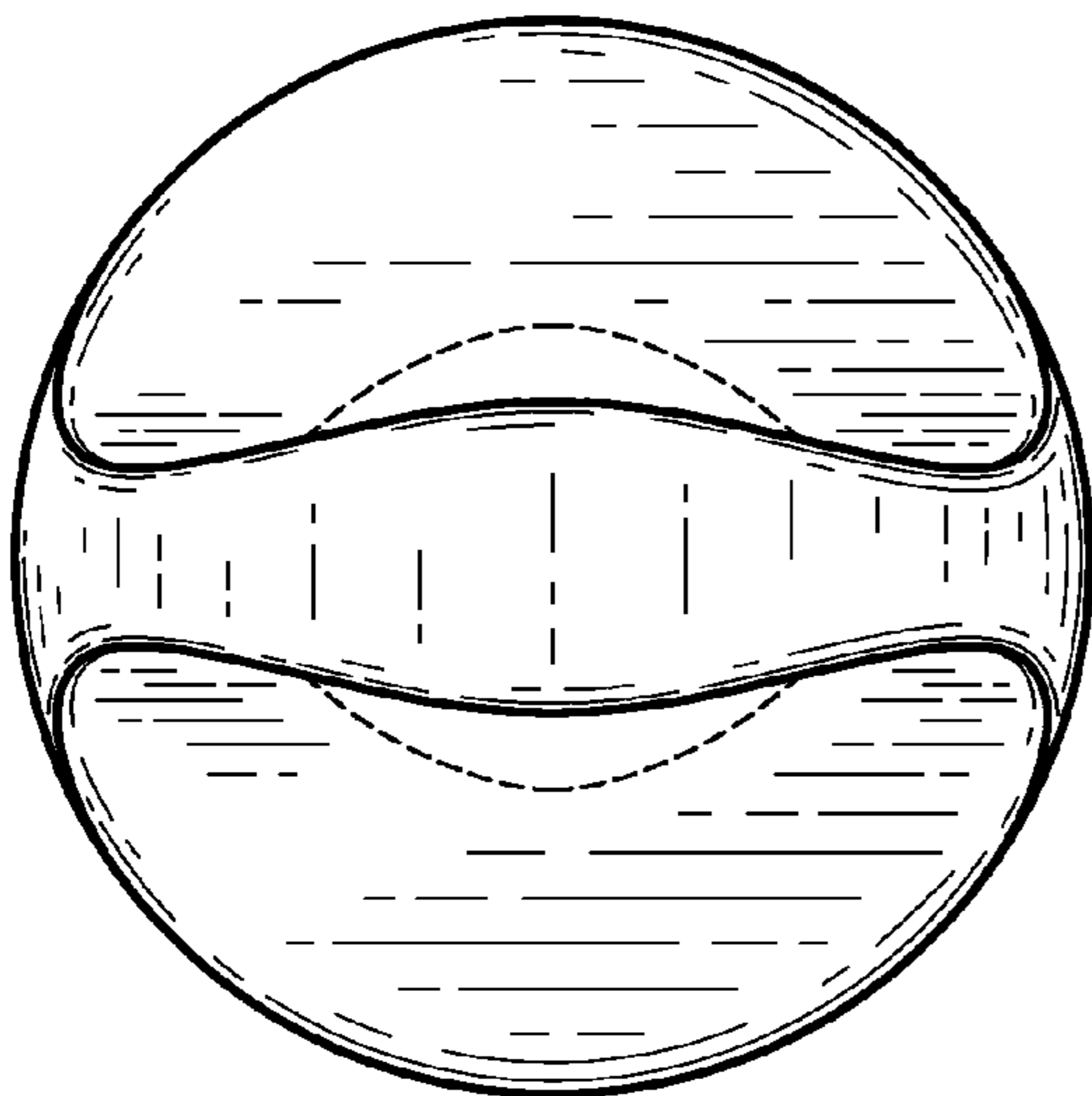


Fig. 19

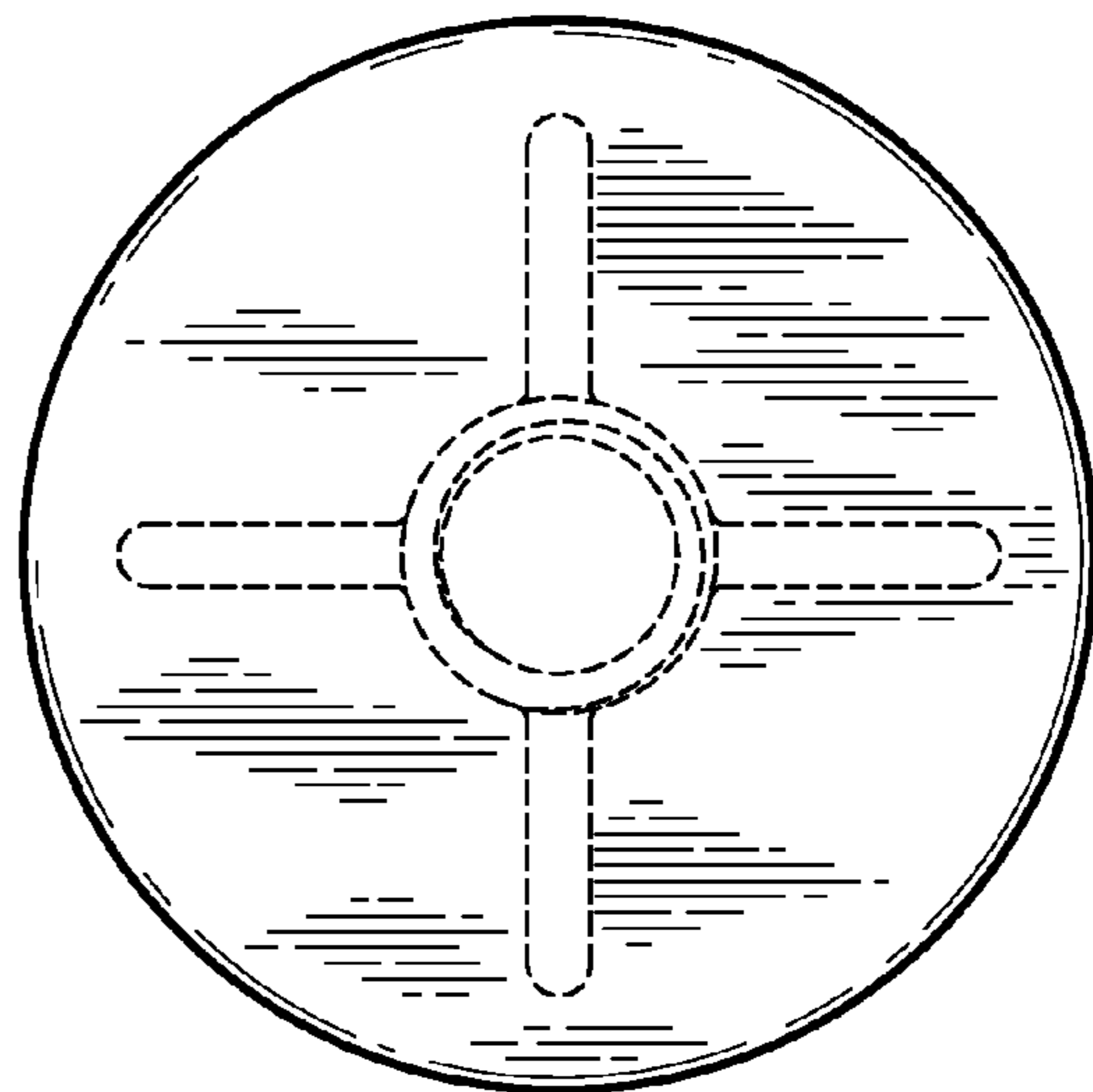


Fig. 20