



US00D638691S

(12) **United States Design Patent**
Hoek

(10) **Patent No.:** **US D638,691 S**

(45) **Date of Patent:** **** *May 31, 2011**

(54) **CABLE ORGANIZER**

(76) Inventor: **Ross Matthew Hoek**, Holland, MI (US)

(*) Notice: This patent is subject to a terminal disclaimer.

(**) Term: **14 Years**

(21) Appl. No.: **29/348,182**

(22) Filed: **Dec. 7, 2009**

(51) **LOC (9) Cl.** **08-06**

(52) **U.S. Cl.** **D8/356**

(58) **Field of Classification Search** D8/105,
D8/107, 333, 349, 354, 356, 358, 360, 360.1,
D8/367, 372, 373, 382, 383, 394-396, 400;
D13/133, 139.4, 153, 155; 24/18, 20 W,
24/23 W, 115 R, 129 C, 130, 131 R, 197,
24/561; 52/220.7, 698; 174/72 A, 100, 135,
174/153 G, 650, 656; 211/86.01, 87.01,
211/94.01; 242/400.1, 405.1, 405.2, 600,
242/603; 248/65, 74.1-74.4, 201, 214, 215,
248/229.26

See application file for complete search history.

(56) **References Cited**

U.S. PATENT DOCUMENTS

2,243,387 A	5/1941	Livingston
2,351,379 A	6/1944	Wehringer
2,364,262 A	12/1944	Wehringer
2,397,291 A	3/1946	Robertson
2,585,054 A	2/1952	Stachura
2,960,561 A	11/1960	Plummer
D190,429 S	5/1961	Hoagland
3,038,558 A	6/1962	Plummer
3,089,210 A	5/1963	Ritter
3,092,530 A	6/1963	Plummer
3,204,908 A	9/1965	Brown
3,279,720 A	10/1966	Garrett
3,290,453 A	12/1966	Jensen
D206,876 S	2/1967	Emley

D209,329 S *	11/1967	Coderre	D8/382
3,459,870 A	8/1969	Plummer		
3,568,308 A	3/1971	Plaskon		
3,602,455 A	8/1971	Lewis		
3,696,920 A *	10/1972	Lahay	206/370
D229,484 S *	12/1973	Brown	D8/394
3,890,459 A	6/1975	Caveney		
4,018,983 A	4/1977	Pedlow		
4,114,241 A	9/1978	Bisping		
D256,303 S	8/1980	Rieman		
4,244,544 A	1/1981	Kornat		
D271,903 S *	12/1983	Kaufman	D24/229
D272,785 S *	2/1984	Rumbaugh	D6/552
D272,787 S *	2/1984	Rumbaugh	D6/552
4,534,354 A	8/1985	Bonner, Jr. et al.		
D303,192 S	9/1989	Bogar, III		
4,863,020 A	9/1989	Klemow		
4,865,412 A	9/1989	Patterson		
4,878,586 A	11/1989	Bancroft et al.		
4,971,271 A	11/1990	Sularz		
4,977,011 A	12/1990	Smith		

(Continued)

Primary Examiner — Karen Acker

(74) *Attorney, Agent, or Firm* — King & Partners, PLC

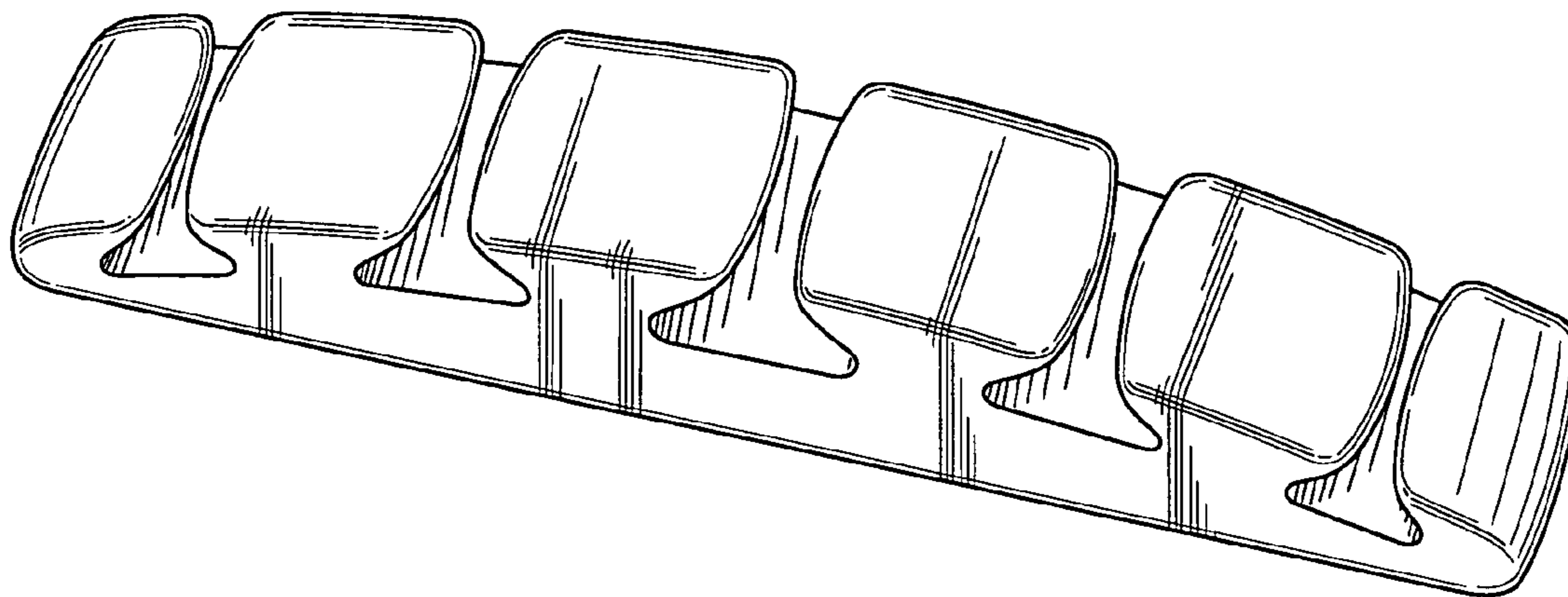
(57) **CLAIM**

The ornamental design for a cable organizer, as shown and described.

DESCRIPTION

FIG. 1 is a front perspective view of a cable organizer showing, in particular, the ornamental design thereof; FIG. 2 is a top plan view of the cable organizer of FIG. 1; FIG. 3 is a bottom plan view of the cable organizer of FIG. 1; FIG. 4 is a left side elevation view of the cable organizer of FIG. 1. It will be understood that a right side elevation view will be a mirror image of the left side elevation view; and, FIG. 5 is a front end view of the cable organizer of FIG. 1. It will be understood that a rear end view will be a mirror image of the front end view.

1 Claim, 2 Drawing Sheets



US D638,691 S

Page 2

U.S. PATENT DOCUMENTS

5,020,759 A	6/1991	Weber					
5,023,404 A	6/1991	Hudson et al.					
5,130,496 A	7/1992	Jenkins					
5,160,273 A	11/1992	Carney					
5,168,999 A	12/1992	Lee et al.					
5,178,163 A	1/1993	Yewer, Jr.					
5,209,441 A	5/1993	Satoh					
5,307,243 A	4/1994	Sharp et al.					
5,316,246 A	5/1994	Scott et al.					
D354,904 S *	1/1995	Halsten	D8/356				
5,377,360 A	1/1995	Fleitman					
5,385,490 A	1/1995	Demeter et al.					
5,395,399 A	3/1995	Rosenwald					
5,397,298 A	3/1995	Mazza et al.					
5,448,015 A	9/1995	Jamet et al.					
5,515,472 A	5/1996	Mullaney et al.					
D374,013 S *	9/1996	Hislop et al.	D14/251				
5,566,269 A	10/1996	Eberle, Jr. et al.					
5,571,035 A	11/1996	Ferrill					
5,600,098 A	2/1997	Kazaks					
D378,408 S	3/1997	Pyeatt et al.					
5,607,126 A	3/1997	Cordola et al.					
5,615,850 A	4/1997	Cloninger					
5,628,647 A	5/1997	Rohrbaugh et al.					
5,788,092 A	8/1998	Teeney					
5,899,770 A	5/1999	Ezawa					
				5,954,301 A	9/1999	Joseph et al.	
				5,967,801 A	10/1999	Martin et al.	
				6,007,368 A	12/1999	Lorenz et al.	
				6,083,052 A	7/2000	Adams et al.	
				6,109,460 A	8/2000	Herlevi et al.	
				6,206,330 B1	3/2001	Oi et al.	
				6,227,502 B1	5/2001	Derman	
				6,238,235 B1	5/2001	Shavit et al.	
				6,241,198 B1	6/2001	Maruyama	
				6,285,565 B1	9/2001	Aberg et al.	
				6,360,051 B1	3/2002	Daoud	
				6,415,932 B1 *	7/2002	Fiscus et al.	211/64
				6,458,104 B2 *	10/2002	Gautsche	604/179
				6,607,169 B1	8/2003	Gershfeld	
				D479,328 S *	9/2003	Reynolds et al.	D24/128
				D488,054 S *	4/2004	Myers	D8/356
				D541,752 S *	5/2007	Van Haaster	D13/153
				D568,723 S *	5/2008	Morgan	D8/356
				D587,101 S *	2/2009	Morgan	D8/356
				D587,102 S *	2/2009	Morgan	D8/356
				7,514,630 B2 *	4/2009	Anderson	174/72 A
				D598,275 S *	8/2009	Rowell et al.	D8/356
				7,712,709 B2 *	5/2010	Winchester	248/89
				2005/0189453 A1 *	9/2005	DeGuevara	248/68.1
				2010/0132979 A1 *	6/2010	Chen	174/135

* cited by examiner

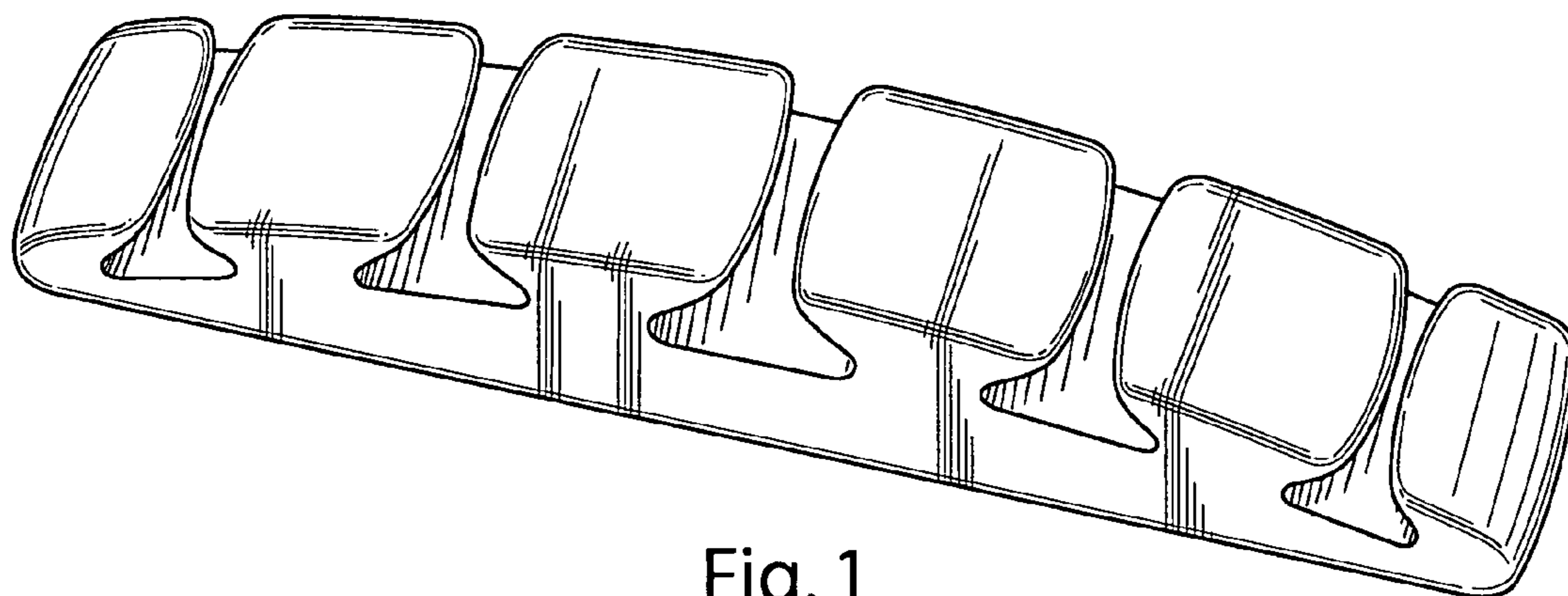


Fig. 1

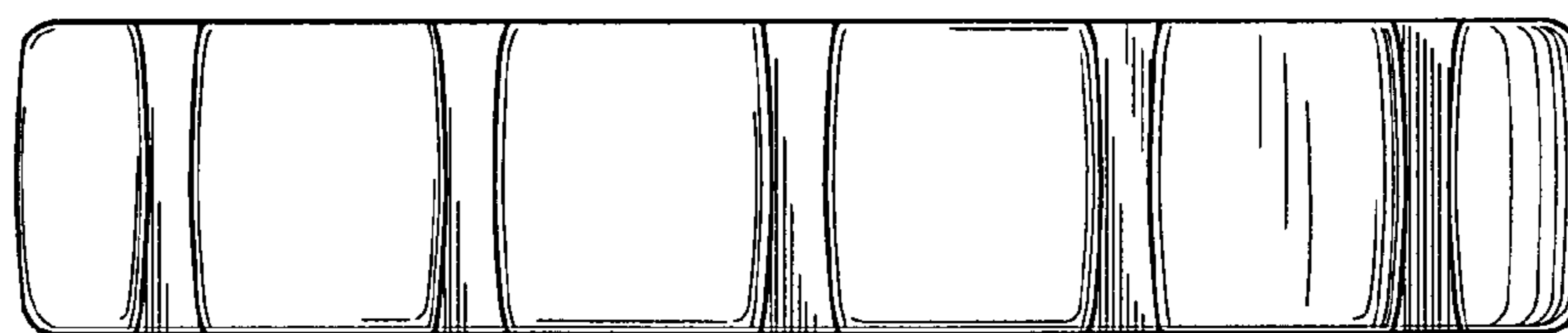


Fig. 2

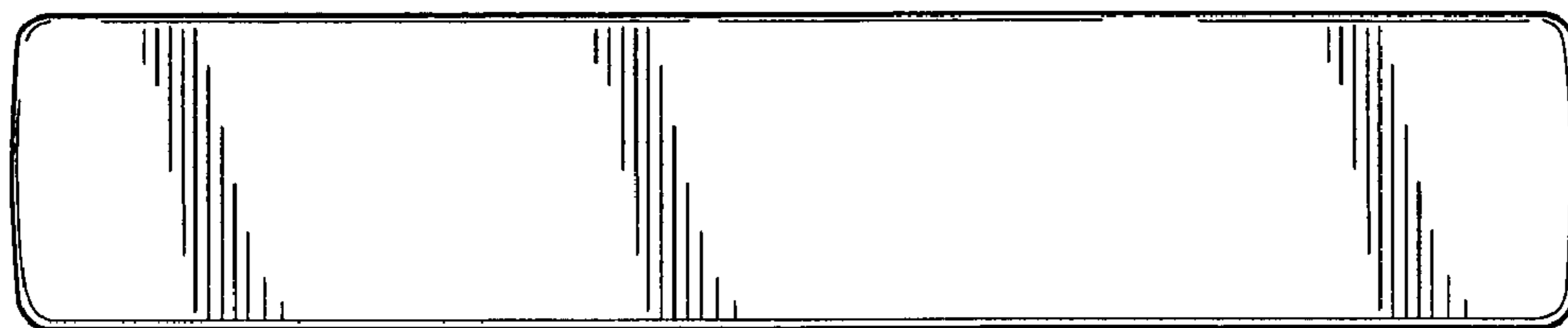


Fig. 3

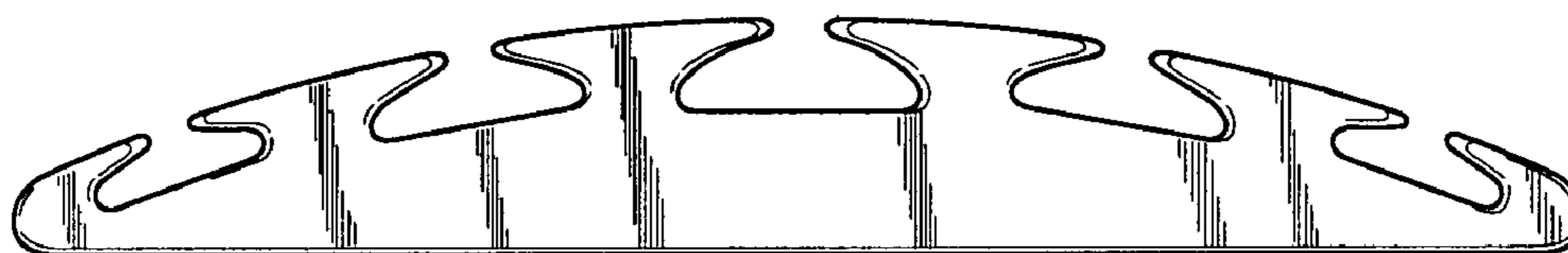


Fig. 4

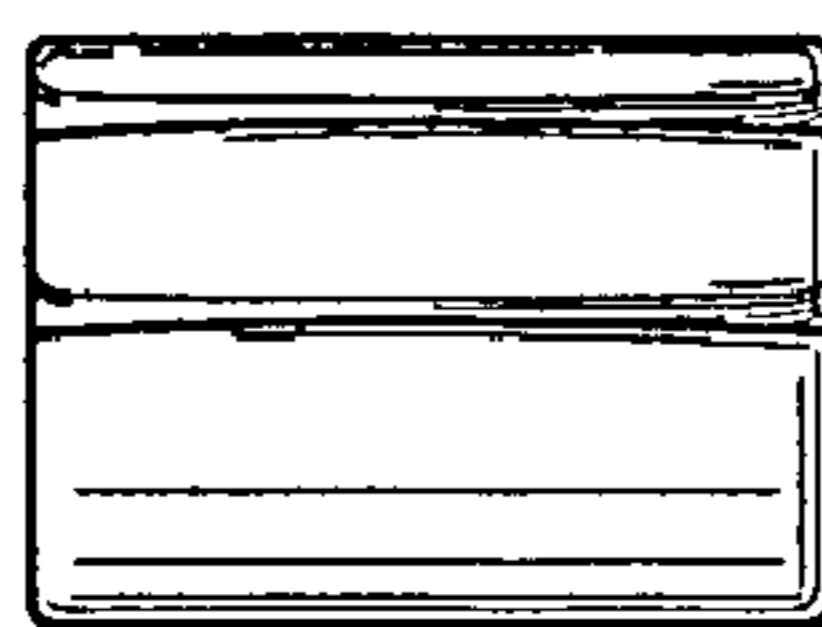


Fig. 5