



US00D638690S

(12) **United States Design Patent**
Hoek

(10) **Patent No.:** **US D638,690 S**

(45) **Date of Patent:** **** *May 31, 2011**

(54) **CABLE ORGANIZER**

(76) Inventor: **Ross Matthew Hoek**, Holland, MI (US)

(*) Notice: This patent is subject to a terminal disclaimer.

(**) Term: **14 Years**

(21) Appl. No.: **29/348,177**

(22) Filed: **Dec. 7, 2009**

(51) **LOC (9) Cl.** **08-06**

(52) **U.S. Cl.** **D8/356**

(58) **Field of Classification Search** D8/105,
D8/107, 333, 349, 354, 356, 358, 360, 360.1,
D8/367, 372, 373, 382, 383, 394-396, 400;
D13/133, 139.4, 153, 155; 24/18, 20 W,
24/23 W, 115 R, 129 C, 130, 131 R, 197,
24/561; 52/220.7, 698; 174/72 A, 100, 135,
174/153 G, 650, 656; 211/86.01, 87.01,
211/94.01; 242/400.1, 405.1, 405.2, 600,
242/603; 248/65, 74.1-74.4, 201, 214, 215,
248/229.26

See application file for complete search history.

(56) **References Cited**

U.S. PATENT DOCUMENTS

2,243,387 A	5/1941	Livingston
2,351,379 A	6/1944	Wehringer
2,364,262 A	12/1944	Wehringer
2,397,291 A	3/1946	Robertson
2,585,054 A	2/1952	Stachura
2,960,561 A	11/1960	Plummer
D190,429 S	5/1961	Hoagland
3,038,558 A	6/1962	Plummer
3,089,210 A	5/1963	Ritter
3,092,530 A	6/1963	Plummer
3,204,908 A	9/1965	Brown
3,279,720 A	10/1966	Garrett
3,290,453 A	12/1966	Jensen
D206,876 S	2/1967	Emley et al.

D209,329 S *	11/1967	Coderre	D8/382
3,459,870 A	8/1969	Plummer		
3,568,308 A	3/1971	Plaskon		
3,602,455 A	8/1971	Lewis		
3,696,920 A *	10/1972	Lahay	206/370
D229,484 S *	12/1973	Brown	D8/394
3,890,459 A	6/1975	Caveney		
4,018,983 A	4/1977	Pedlow		
4,114,241 A	9/1978	Bisping		
D256,303 S	8/1980	Rieman		
4,244,544 A	1/1981	Kornat		
D271,903 S *	12/1983	Kaufman	D24/229
D272,785 S *	2/1984	Rumbaugh	D6/552
D272,787 S *	2/1984	Rumbaugh	D6/552
4,534,354 A	8/1985	Bonner, Jr. et al.		
D303,192 S	9/1989	Bogar, III		
4,863,020 A	9/1989	Klemow		
4,865,412 A	9/1989	Patterson		
4,878,586 A	11/1989	Bancroft et al.		
4,971,271 A	11/1990	Sularz		
4,977,011 A	12/1990	Smith		

(Continued)

Primary Examiner — Karen Acker

(74) *Attorney, Agent, or Firm* — King & Partners, PLC

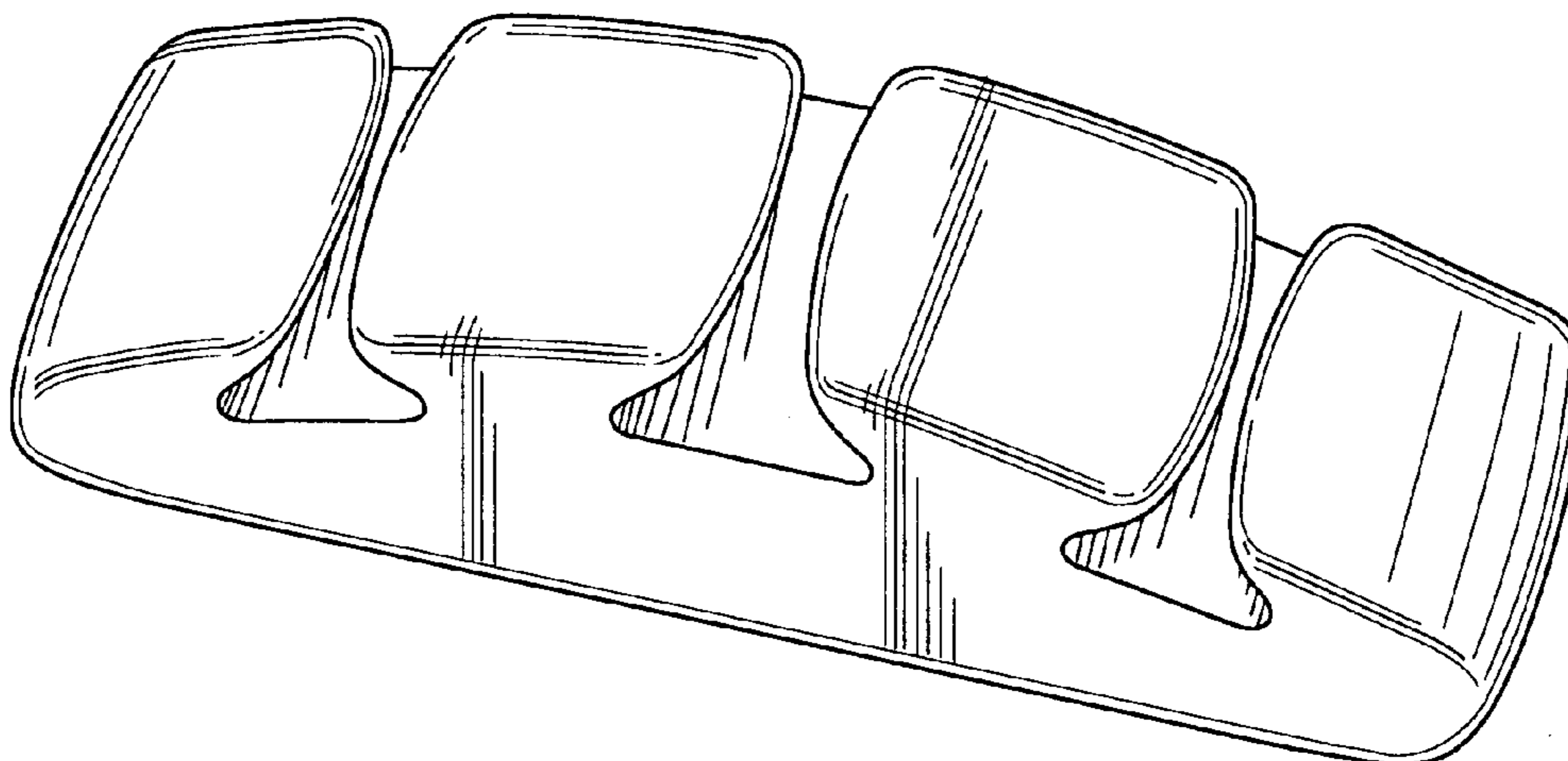
(57) **CLAIM**

The ornamental design for a cable organizer, as shown and described.

DESCRIPTION

FIG. 1 is a front perspective view of a cable organizer showing, in particular, the ornamental design thereof; FIG. 2 is a top plan view of the cable organizer of FIG. 1; FIG. 3 is a bottom plan view of the cable organizer of FIG. 1; FIG. 4 is a left side elevation view of the cable organizer of FIG. 1. It will be understood that a right side elevation view will be a mirror image of the left side elevation view; and, FIG. 5 is a front end view of the cable organizer of FIG. 1. It will be understood that a rear end view will be a mirror image of the front end view.

1 Claim, 2 Drawing Sheets



US D638,690 S

Page 2

U.S. PATENT DOCUMENTS					
5,020,759	A	6/1991 Weber	5,954,301	A	9/1999 Joseph et al.
5,023,404	A	6/1991 Hudson et al.	5,967,801	A	10/1999 Martin et al.
5,130,496	A	7/1992 Jenkins	6,007,368	A	12/1999 Lorenz et al.
5,160,273	A	11/1992 Carney	6,083,052	A	7/2000 Adams et al.
5,168,999	A	12/1992 Lee et al.	6,109,460	A	8/2000 Herlevi et al.
5,178,163	A	1/1993 Yewer, Jr.	6,206,330	B1	3/2001 Oi et al.
5,209,441	A	5/1993 Satoh	6,227,502	B1	5/2001 Derman
5,307,243	A	4/1994 Sharp et al.	6,238,235	B1	5/2001 Shavit et al.
5,316,246	A	5/1994 Scott et al.	6,241,198	B1	6/2001 Maruyama
D354,904	S *	1/1995 Halsten D8/356	6,285,565	B1	9/2001 Aberg et al.
5,377,360	A	1/1995 Fleitman	6,360,051	B1	3/2002 Daoud
5,385,490	A	1/1995 Demeter et al.	6,415,932	B1 *	7/2002 Fiscus et al. 211/64
5,395,399	A	3/1995 Rosenwald	6,458,104	B2 *	10/2002 Gautsche 604/179
5,397,298	A	3/1995 Mazza et al.	6,607,169	B1	8/2003 Gershfeld
5,448,015	A	9/1995 Jamet et al.	D479,328	S *	9/2003 Reynolds et al. D24/128
5,515,472	A	5/1996 Mullaney et al.	D488,054	S *	4/2004 Myers D8/356
D374,013	S *	9/1996 Hislop et al. D14/251	D541,752	S *	5/2007 Van Haaster D13/153
5,566,269	A	10/1996 Eberle, Jr. et al.	D568,723	S *	5/2008 Morgan D8/356
5,571,035	A	11/1996 Ferrill	D587,101	S *	2/2009 Morgan D8/356
5,600,098	A	2/1997 Kazaks et al.	D587,102	S *	2/2009 Morgan D8/356
D378,408	S	3/1997 Pyeatt et al.	7,514,630	B2 *	4/2009 Anderson 174/72 A
5,607,126	A	3/1997 Cordola et al.	D598,275	S *	8/2009 Rowell et al. D8/356
5,615,850	A	4/1997 Cloninger	7,712,709	B2 *	5/2010 Winchester 248/89
5,628,647	A	5/1997 Rohrbaugh et al.	2005/0189453	A1 *	9/2005 DeGuevara 248/68.1
5,788,092	A	8/1998 Teeney	2010/0132979	A1 *	6/2010 Chen 174/135
5,899,770	A	5/1999 Ezawa			

* cited by examiner

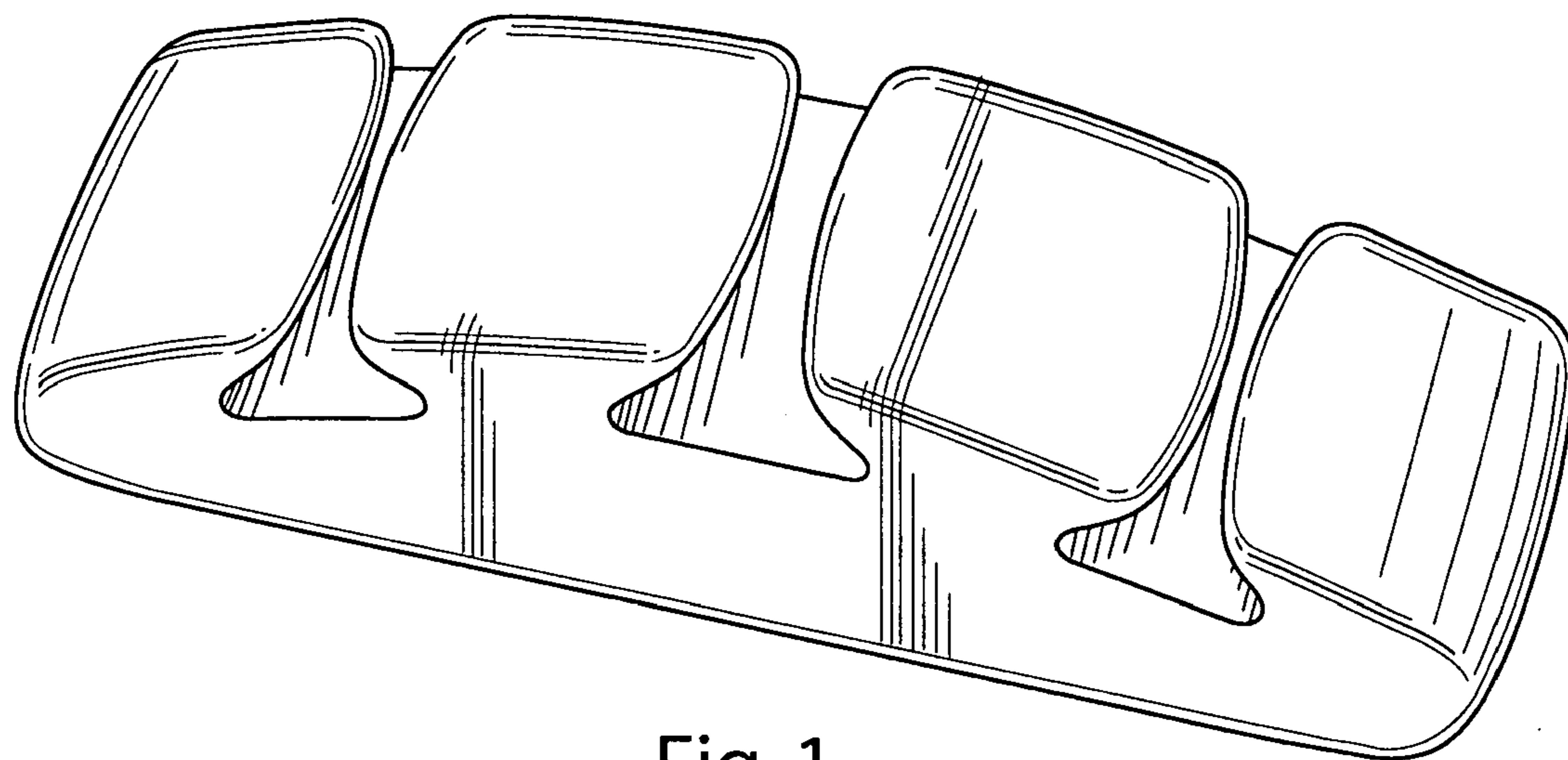


Fig. 1

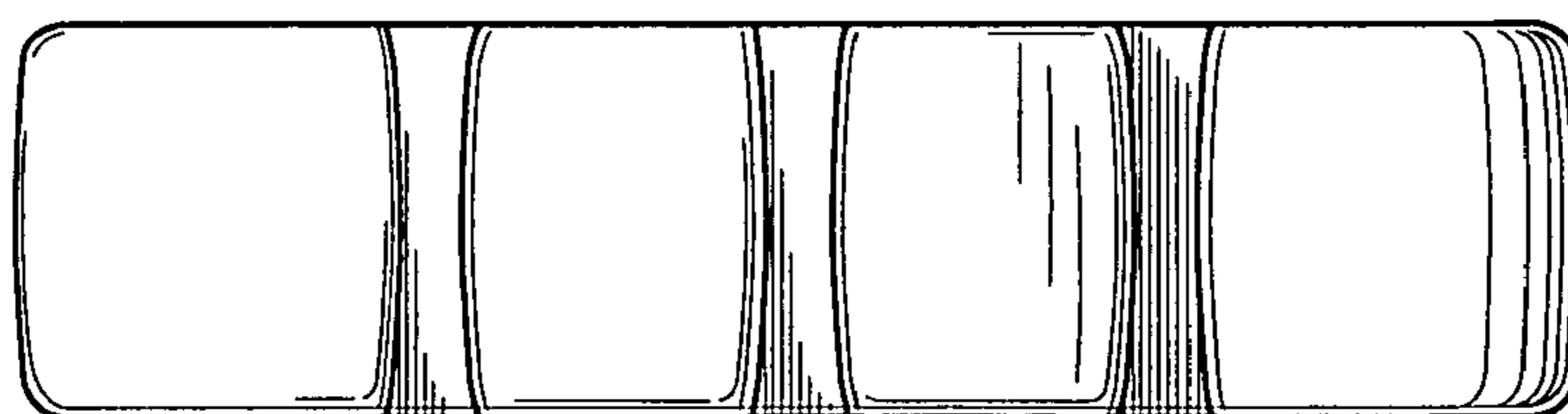


Fig. 2

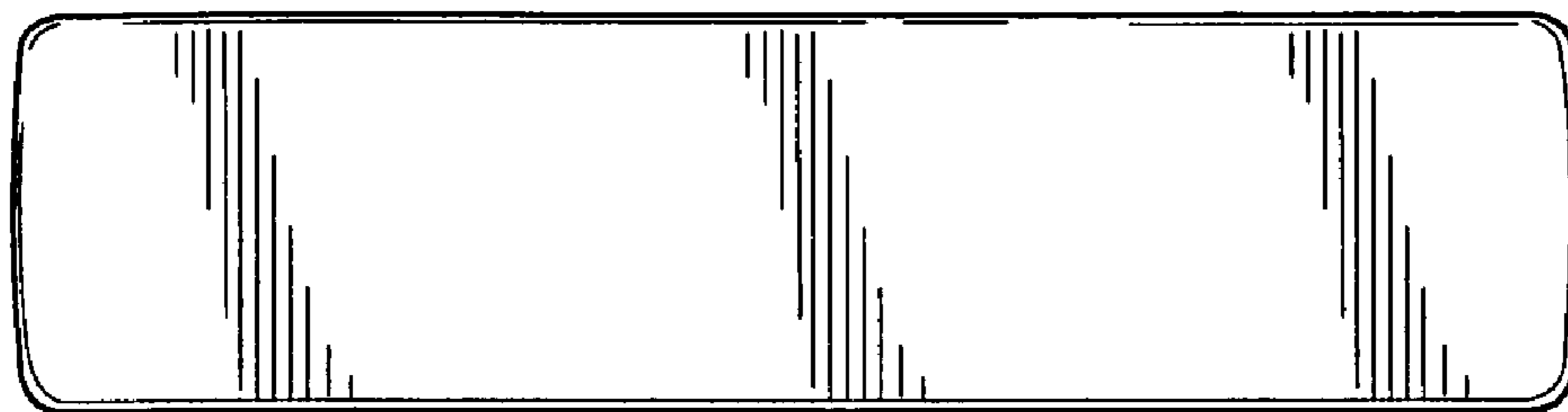


Fig. 3

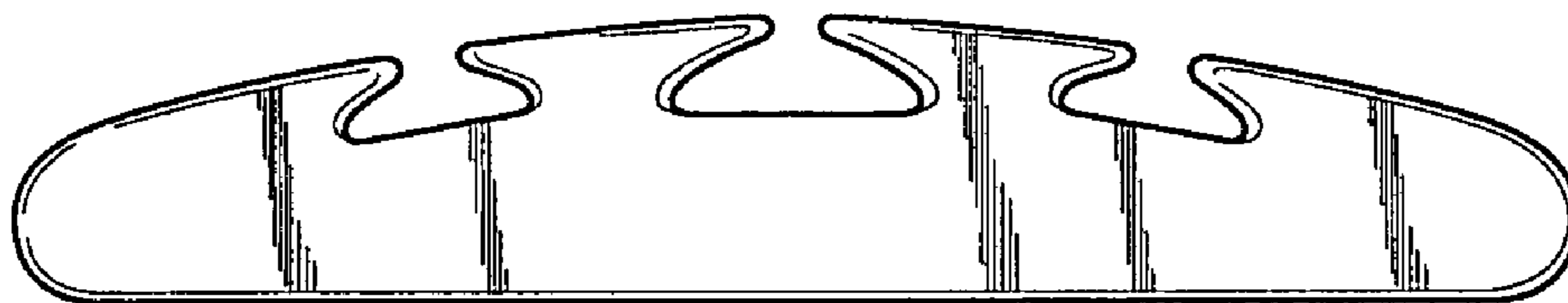


Fig. 4

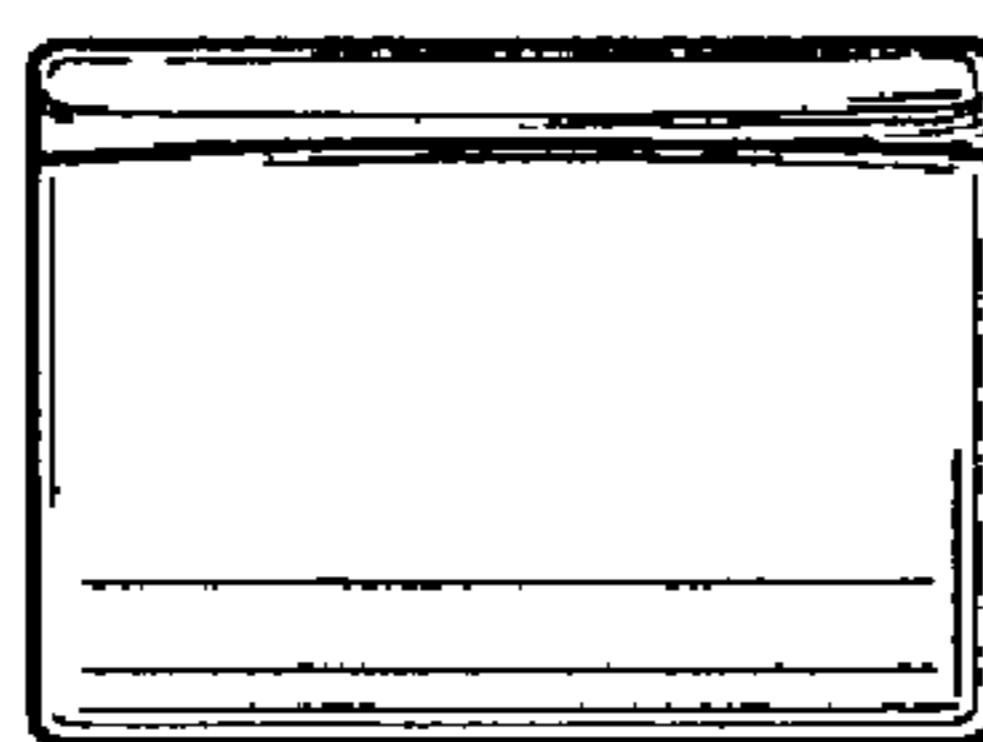


Fig. 5