



US00D638689S

(12) **United States Design Patent**
Wormser

(10) **Patent No.:** **US D638,689 S**

(45) **Date of Patent:** **** May 31, 2011**

(54) **SPINNING SIGN ASSEMBLY MOUNTING BRACKET**

(74) *Attorney, Agent, or Firm* — Allen Dyer Doppelt Milbrath & Gilchrist

(76) Inventor: **Mark Wormser**, Ocala, FL (US)

(57) **CLAIM**

(**) Term: **14 Years**

The ornamental design for a spinning sign assembly mounting bracket, as shown and described.

(21) Appl. No.: **29/355,858**

(22) Filed: **Feb. 16, 2010**

DESCRIPTION

(51) **LOC (9) Cl.** **08-05**

(52) **U.S. Cl.** **D8/354**

(58) **Field of Classification Search** D8/354,
D8/349, 373; D20/23.29, 31; 248/220.41,
248/220.31, 220.43, 551

See application file for complete search history.

FIG. 1 is a left, front perspective view of a spinning sign assembly mounting bracket, according to an embodiment of the present invention;

FIG. 2 is a left side view of the mounting bracket of FIG. 1;

FIG. 3 is a right side view of the mounting bracket of FIG. 1;

FIG. 4 is a top view of the mounting bracket of FIG. 1;

FIG. 5 is a bottom view of the mounting bracket of FIG. 1;

FIG. 6 is a front view of the mounting bracket of FIG. 1;

FIG. 7 is a rear view of the mounting bracket of FIG. 1; and,

FIG. 8 is a left, front perspective view of the mounting bracket of FIG. 1, shown in an environment of use.

The broken line showing of a flag and a partial pole is included for the purpose of illustrating environment and forms no part of the claimed design.

(56) **References Cited**

U.S. PATENT DOCUMENTS

4,607,773 A * 8/1986 Mason 224/546

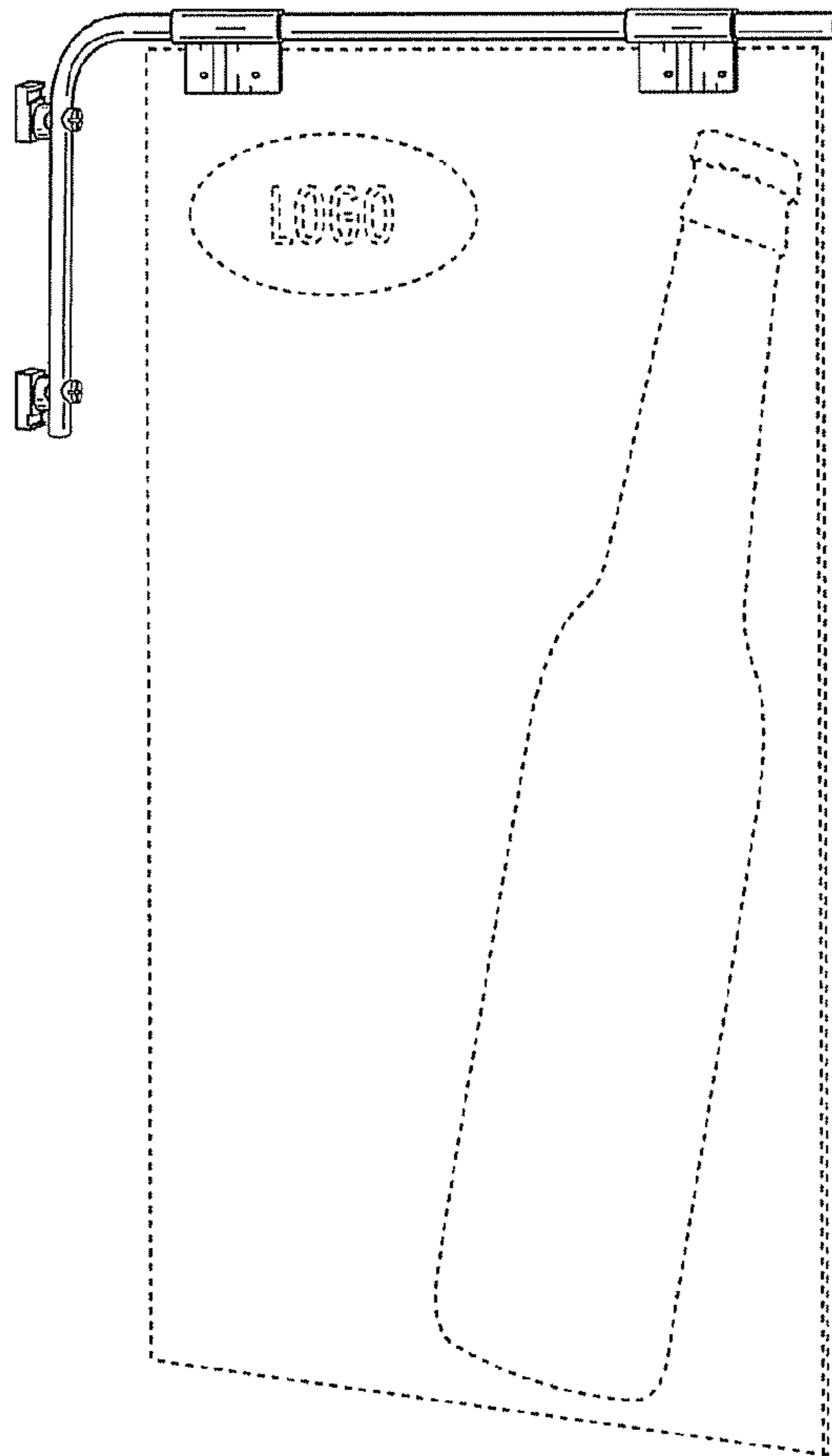
D303,018 S * 8/1989 Yates D26/140

D373,718 S * 9/1996 Rondeau D8/349

* cited by examiner

Primary Examiner — Holly H Baynham

1 Claim, 6 Drawing Sheets



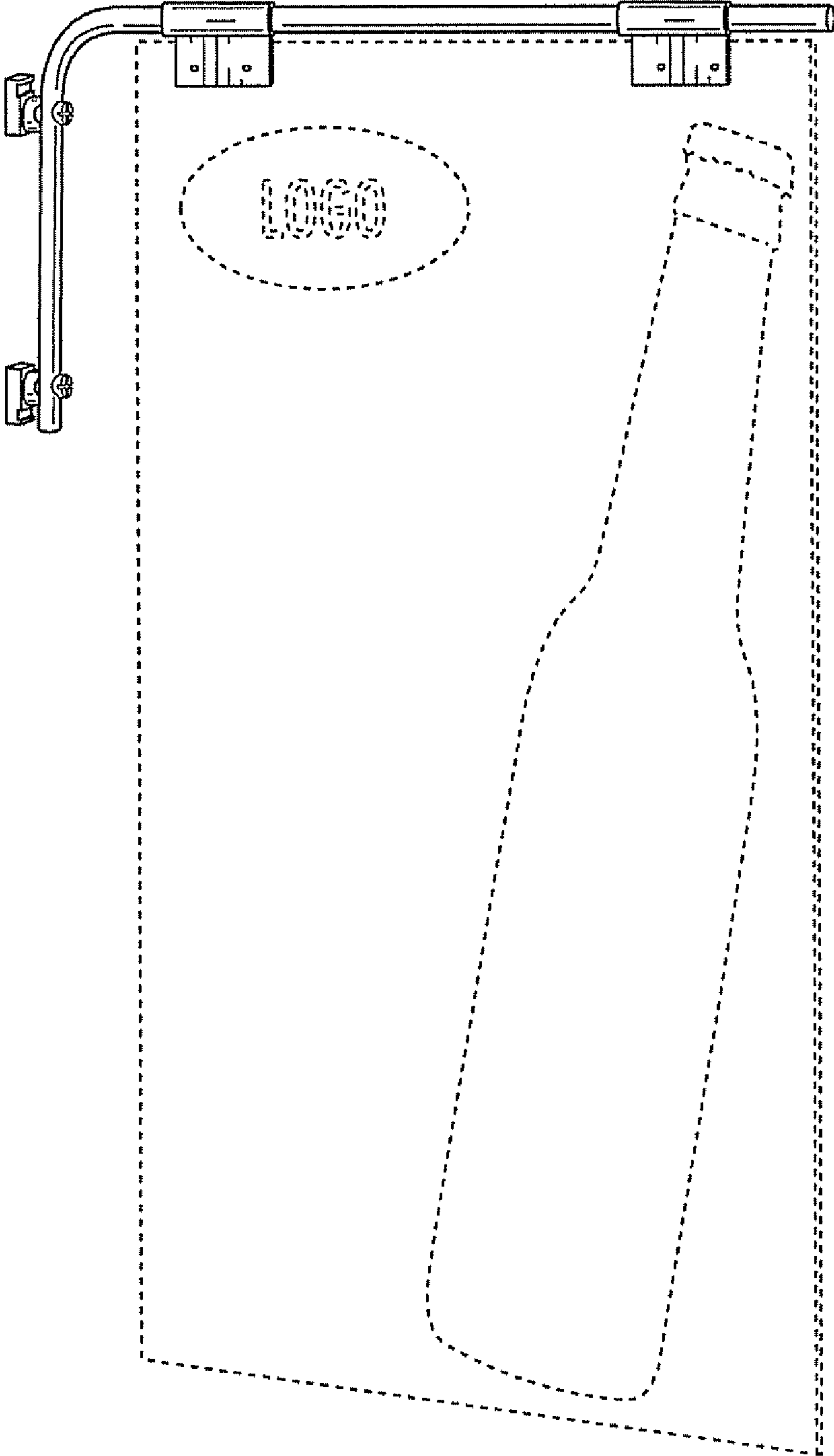


FIG. 1

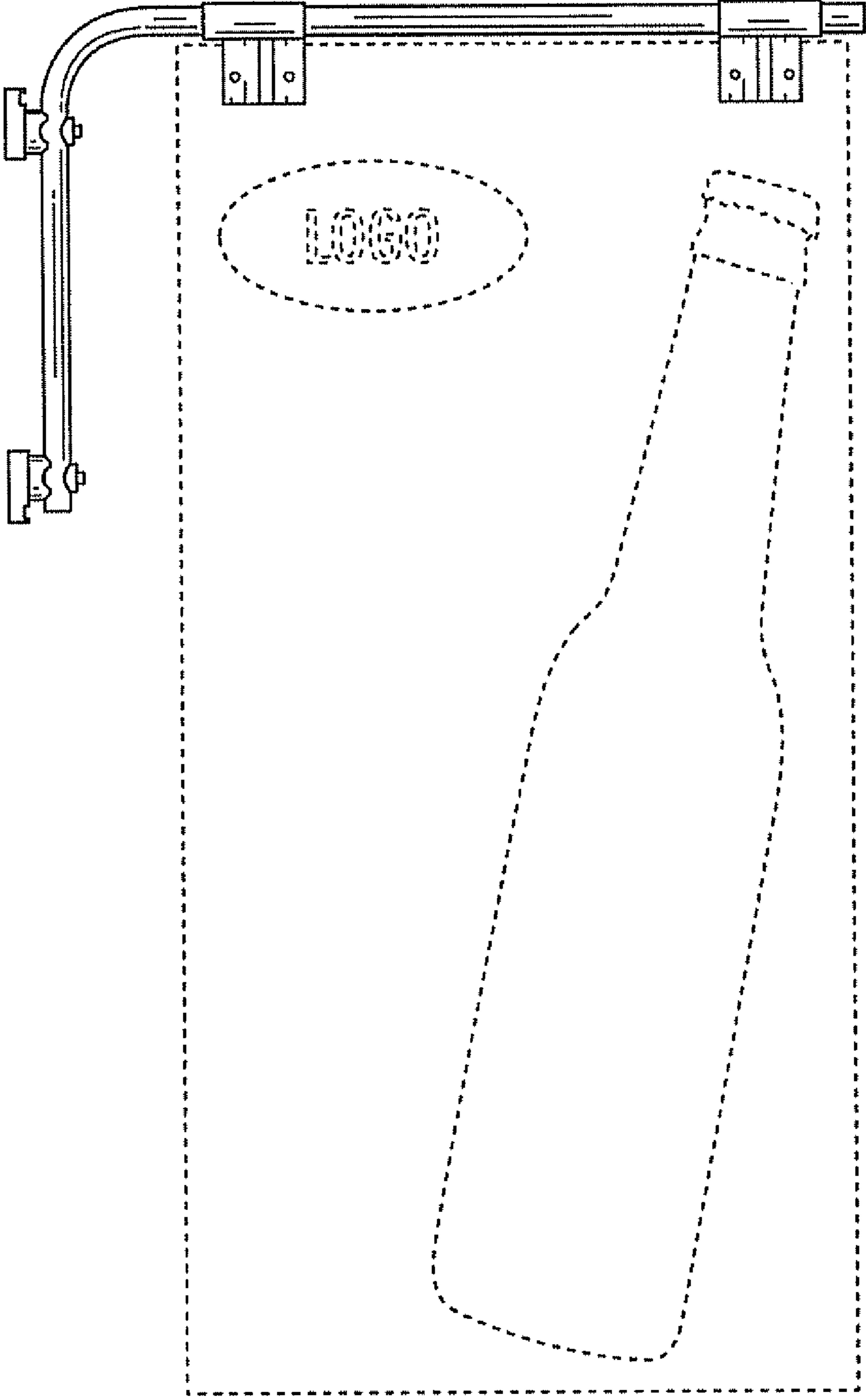


FIG. 2

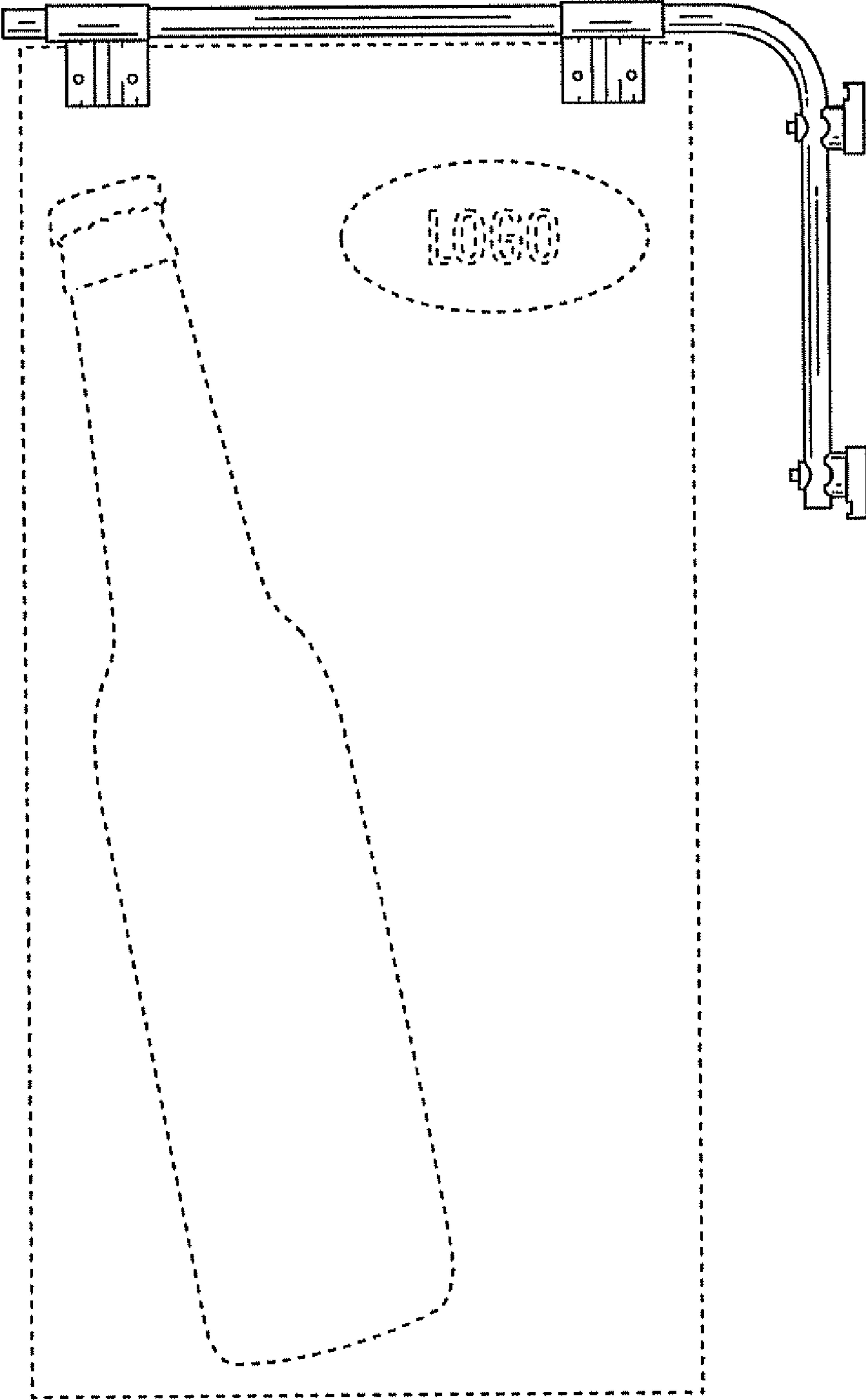


FIG. 3

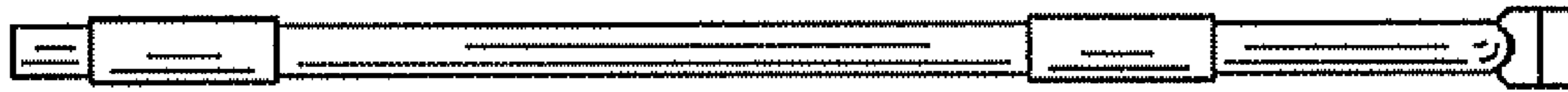


FIG. 4



FIG. 5

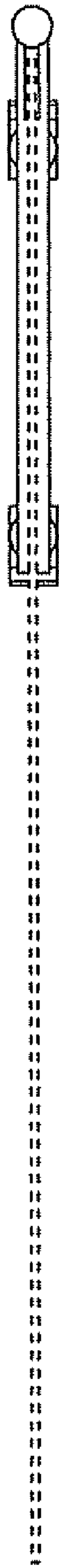


FIG. 6

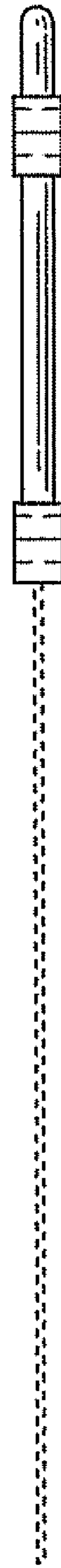


FIG. 7

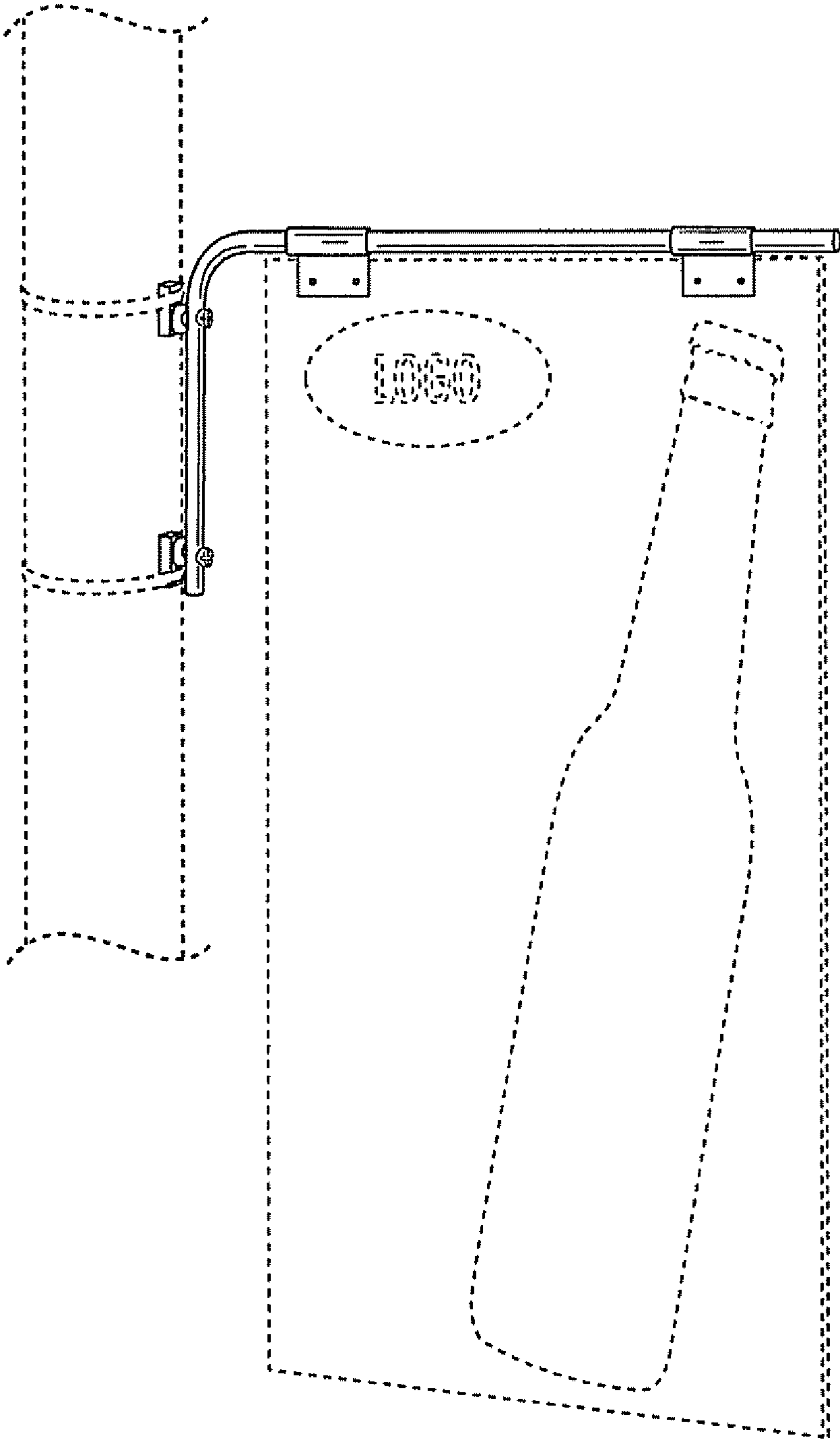


FIG. 8