



US00D638686S

(12) **United States Design Patent**  
**Gordon**

(10) **Patent No.:** **US D638,686 S**

(45) **Date of Patent:** **\*\* May 31, 2011**

(54) **SLIDING DOOR CLOSER**

(75) Inventor: **Graham Gordon**, Brampton (CA)

(73) Assignee: **Tote'l Industries Corp.**, Brampton,  
Ontario (CA)

(\*\*) Term: **14 Years**

(21) Appl. No.: **29/377,648**

(22) Filed: **Oct. 25, 2010**

(51) **LOC (9) Cl.** ..... **08-07**

(52) **U.S. Cl.** ..... **D8/339; D8/330**

(58) **Field of Classification Search** ..... D8/30,  
D8/331, 336-339, 343, 341, 349, 382, 400;  
70/14, 38 R, 51, 52, 57, 57.1, 101, 106; 292/32,  
292/33, 4, 45, 56, 57, 71, 74, 78, 63, 137,  
292/194

See application file for complete search history.

(56) **References Cited**

**U.S. PATENT DOCUMENTS**

3,955,842	A *	5/1976	Edwards	.....	292/307 R
4,109,429	A *	8/1978	Whisson	.....	52/126.4
4,142,809	A *	3/1979	Shell	.....	403/201
D263,676	S *	4/1982	Wahlin	.....	D8/382
D320,545	S *	10/1991	Sciarrino	.....	D8/339
D347,159	S *	5/1994	Crocker et al.	.....	D8/339

D348,211	S *	6/1994	Crocker et al.	.....	D8/339
5,669,641	A *	9/1997	Jeansonne	.....	292/259 R
D449,774	S *	10/2001	Ling	.....	D8/339
D455,063	S *	4/2002	Anderson	.....	D8/339
D504,302	S *	4/2005	Wood	.....	D8/339
D513,963	S *	1/2006	Cuddy	.....	D8/339
2007/0283524	A1	12/2007	Gordon		

\* cited by examiner

*Primary Examiner* — Prabhakar Deshmukh

(74) *Attorney, Agent, or Firm* — Sand & Sebolt

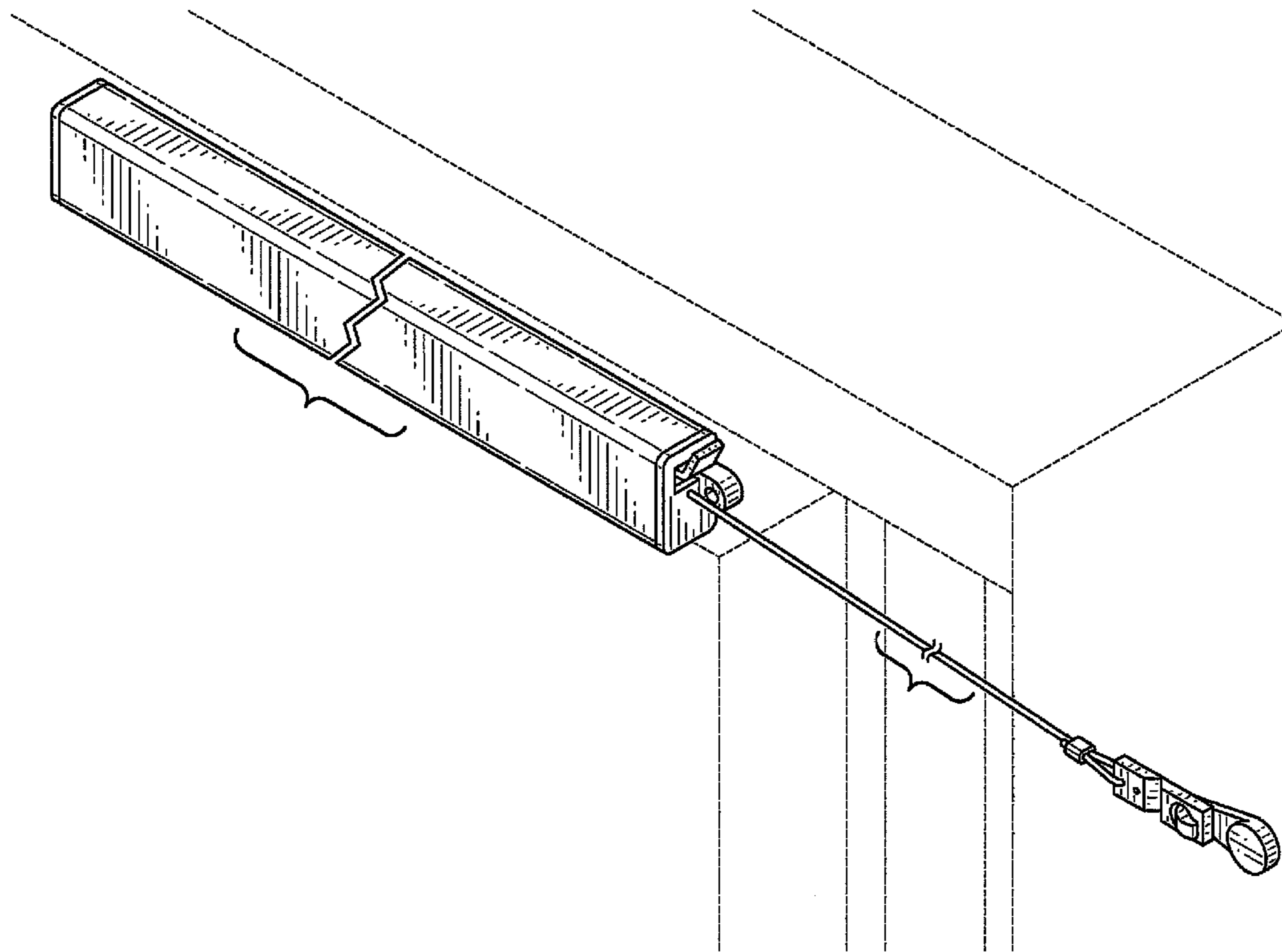
(57) **CLAIM**

The ornamental design for a sliding door closer, as shown and described.

**DESCRIPTION**

FIG. 1 is a perspective view of a sliding door closer showing our new design;  
FIG. 2 is a front elevational view thereof;  
FIG. 3 is a rear elevational view thereof;  
FIG. 4 is a left side elevational view thereof; and,  
FIG. 5 is a right side elevational view thereof.  
The broken lines environment showing a door frame is for illustrative purpose only and forms no part of the claimed design. The brackets indicate the undetermined length of the sliding door closer.

**1 Claim, 4 Drawing Sheets**



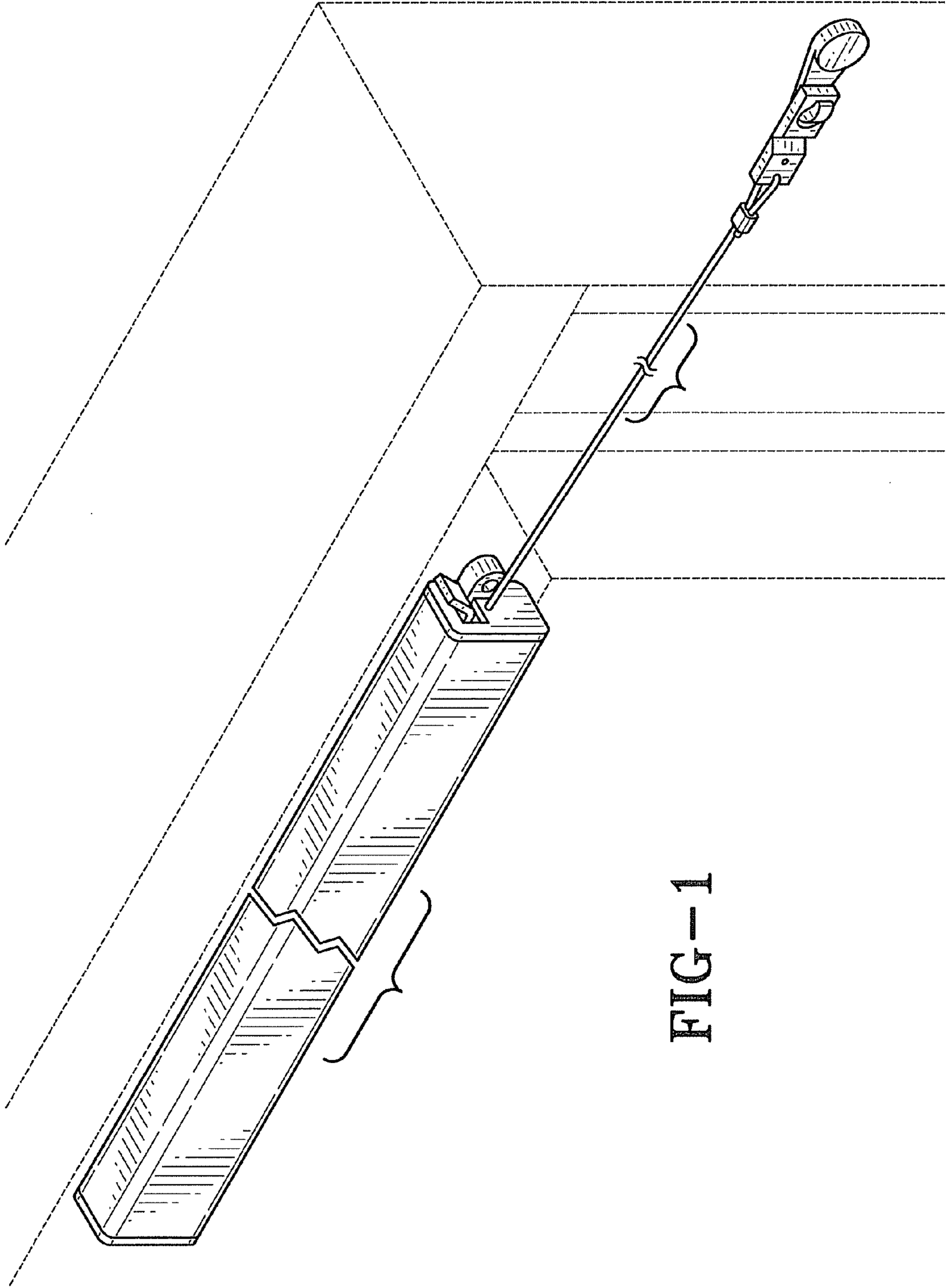


FIG--1

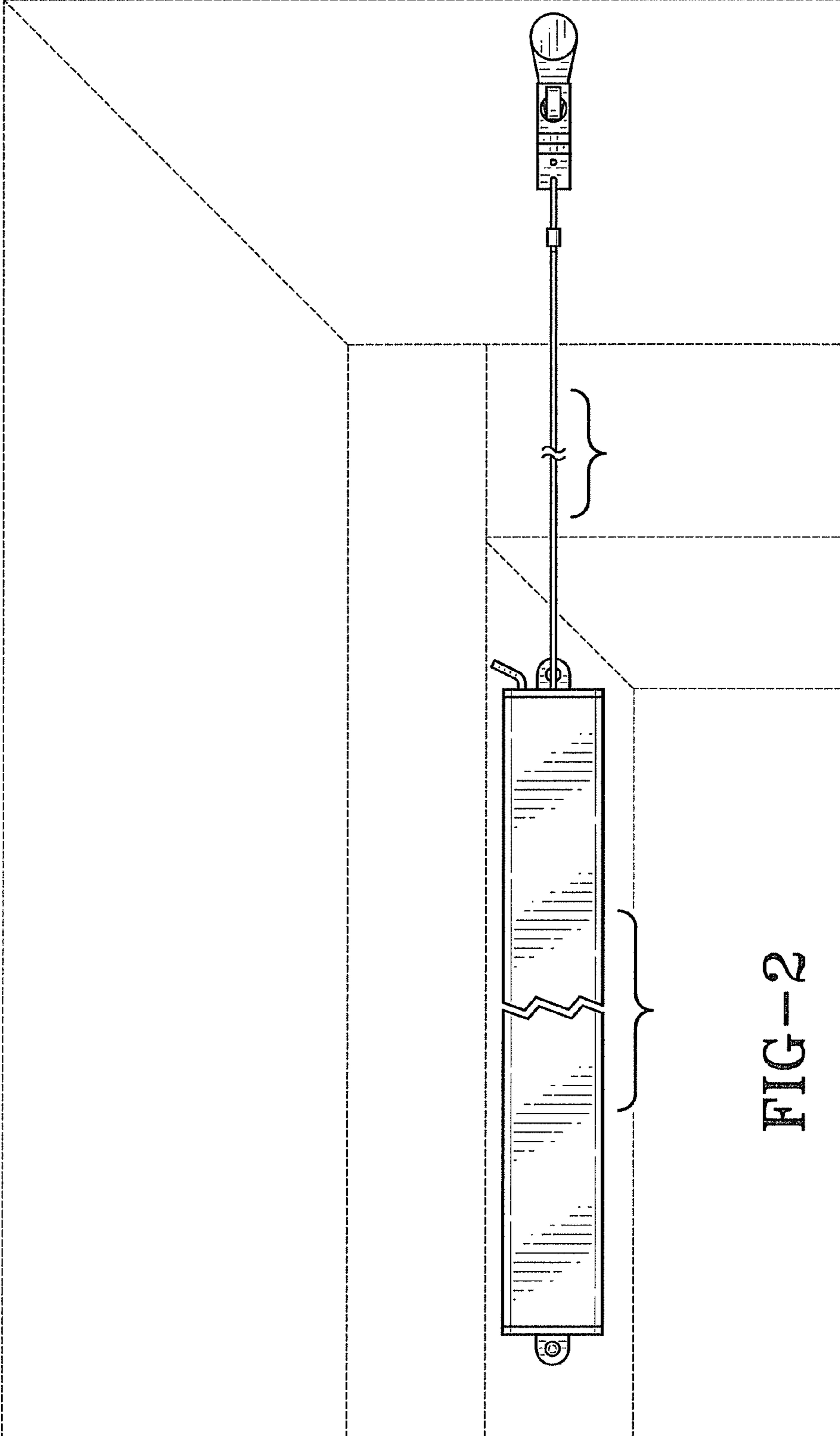
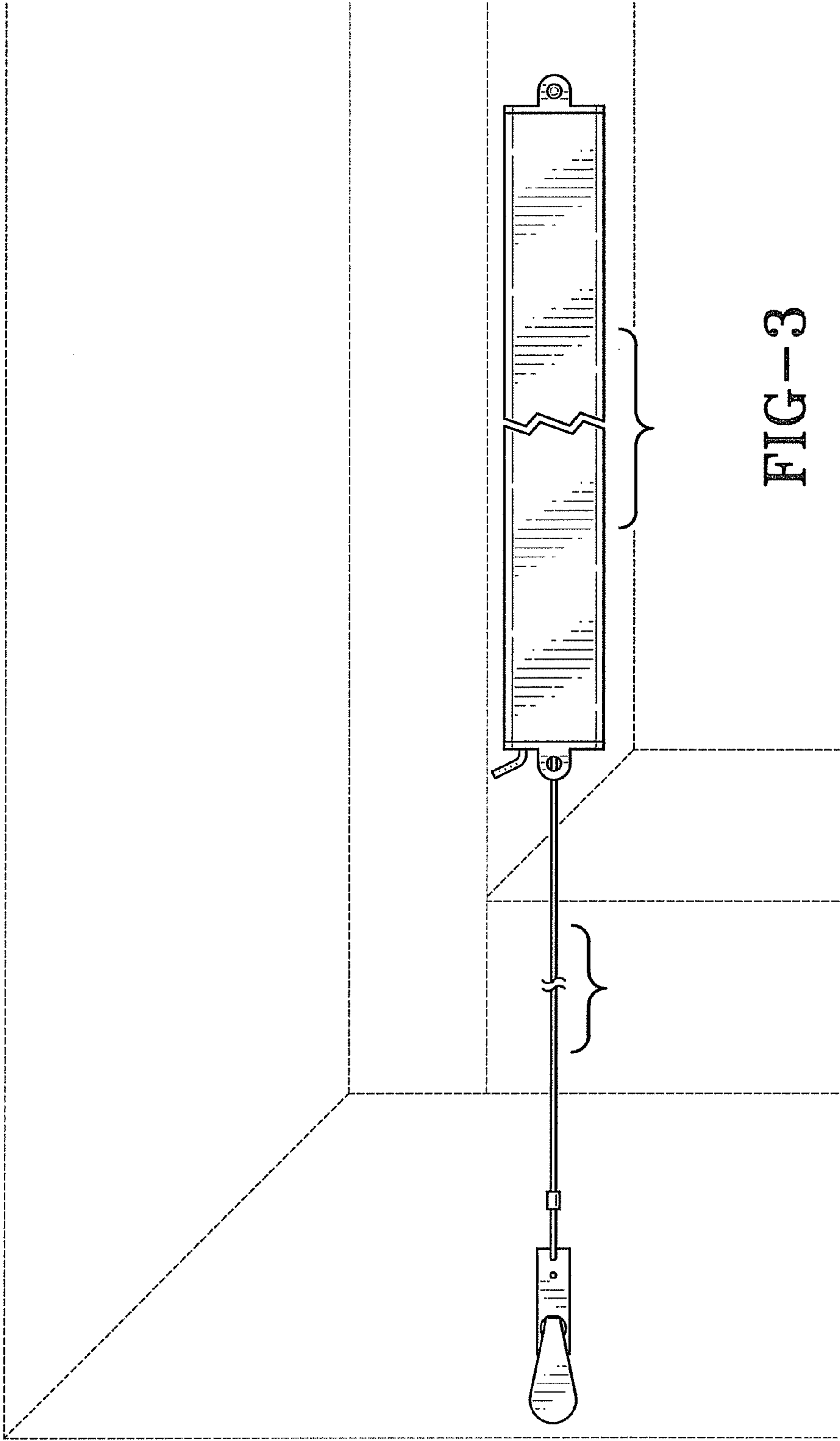


FIG-2



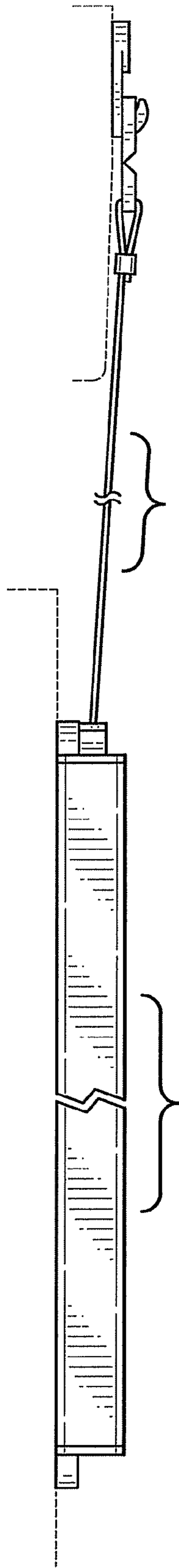


FIG-4

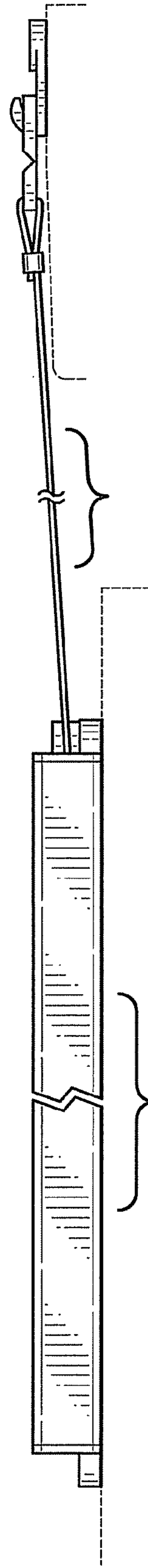


FIG-5