



US00D638685S

(12) **United States Design Patent**
Schmidt et al.

(10) **Patent No.:** **US D638,685 S**

(45) **Date of Patent:** **** May 31, 2011**

- (54) **COMBINATION DISC LOCK**
- (75) Inventors: **Peter Schmidt**, San Jose, CA (US);
Kurt Kemppainen, Mound, MN (US);
Rahn Basche, Los Altos, CA (US)
- (73) Assignee: **Wordlock, Inc.**, Santa Clara, CA (US)
- (**) Term: **14 Years**
- (21) Appl. No.: **29/367,973**
- (22) Filed: **Aug. 16, 2010**
- (51) **LOC (9) Cl.** **08-07**
- (52) **U.S. Cl.** **D8/334**
- (58) **Field of Classification Search** D8/330,
D8/331, 334, 333, 335, 339; 70/20, 24-29,
70/31, 35, 38 R, 40-48, 14
See application file for complete search history.

- D439,823 S * 4/2001 Adler et al. D8/334
- 6,263,758 B1 * 7/2001 Kumamoto et al. 74/513
- D486,721 S * 2/2004 Ling D8/334
- D513,582 S * 1/2006 Osiecki et al. D8/343
- D524,632 S * 7/2006 Kearns et al. D8/334
- D541,630 S * 5/2007 Blomstrom et al. D8/334
- D542,625 S * 5/2007 Blomstrom et al. D8/334

* cited by examiner

Primary Examiner — Prabhakar Deshmukh
(74) *Attorney, Agent, or Firm* — Perkins Coie LLP

(57) **CLAIM**
The ornamental design for a combination disc lock, as shown and described.

DESCRIPTION

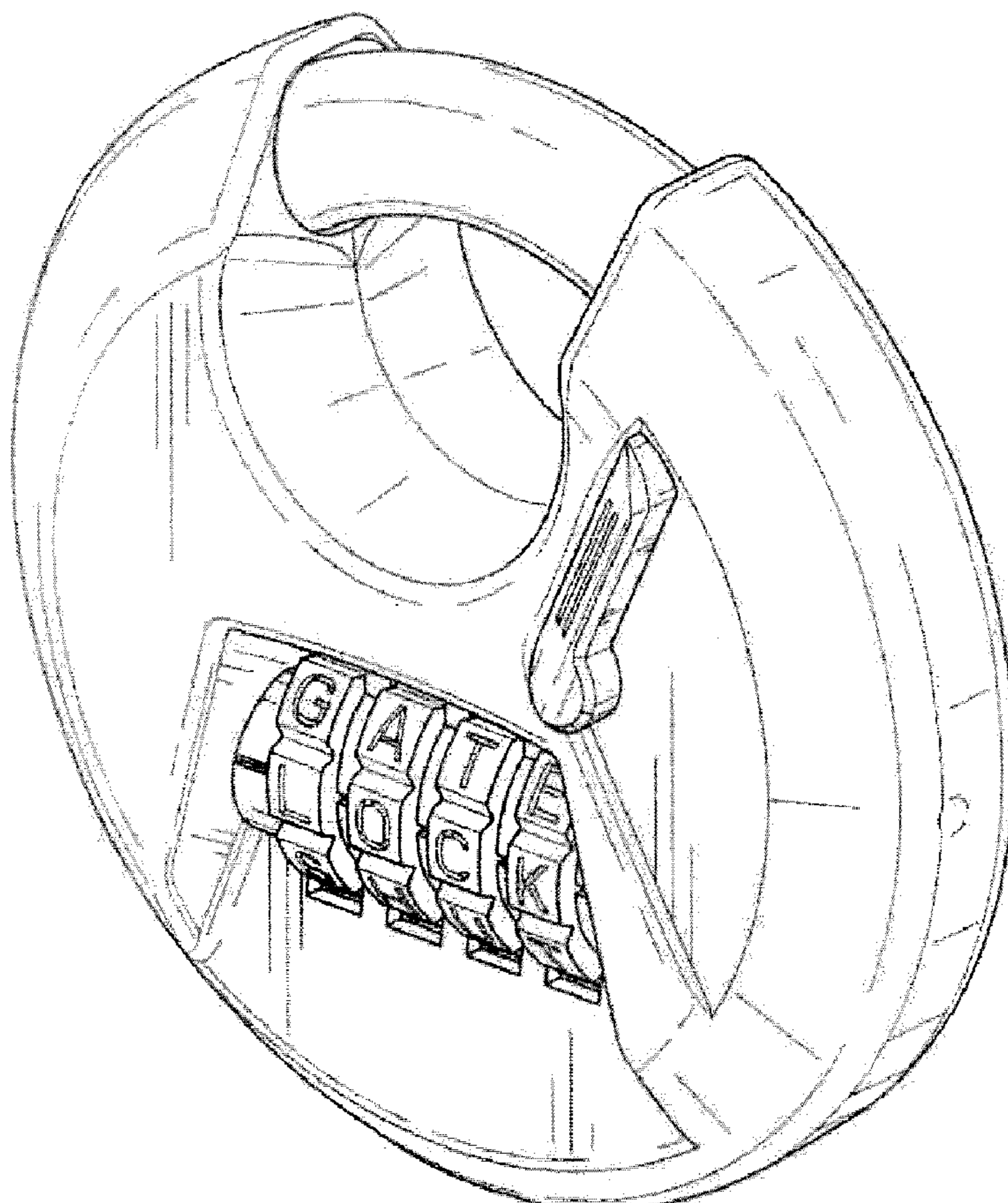
FIG. 1 is a perspective view of a combination disc lock showing our new design;
FIG. 2 is a front elevational view thereof;
FIG. 3 is a rear elevational view thereof;
FIG. 4 is a right side elevational view thereof;
FIG. 5 is a left side elevational view thereof;
FIG. 6 is a top plan view thereof; and,
FIG. 7 is a bottom plan view thereof.
Any broken lines and/or patterns in the drawing are for illustrative purposes only and form no part of the claimed design.

1 Claim, 3 Drawing Sheets

(56) **References Cited**

U.S. PATENT DOCUMENTS

- 229,332 A * 6/1880 Pease 70/40
- 1,172,970 A * 2/1916 Fowler 70/27
- 5,765,409 A * 6/1998 Yang 70/28
- D407,294 S * 3/1999 Chen D8/334
- 5,901,587 A * 5/1999 Chen 70/28
- 5,921,123 A * 7/1999 Schwarzkopf et al. 70/371



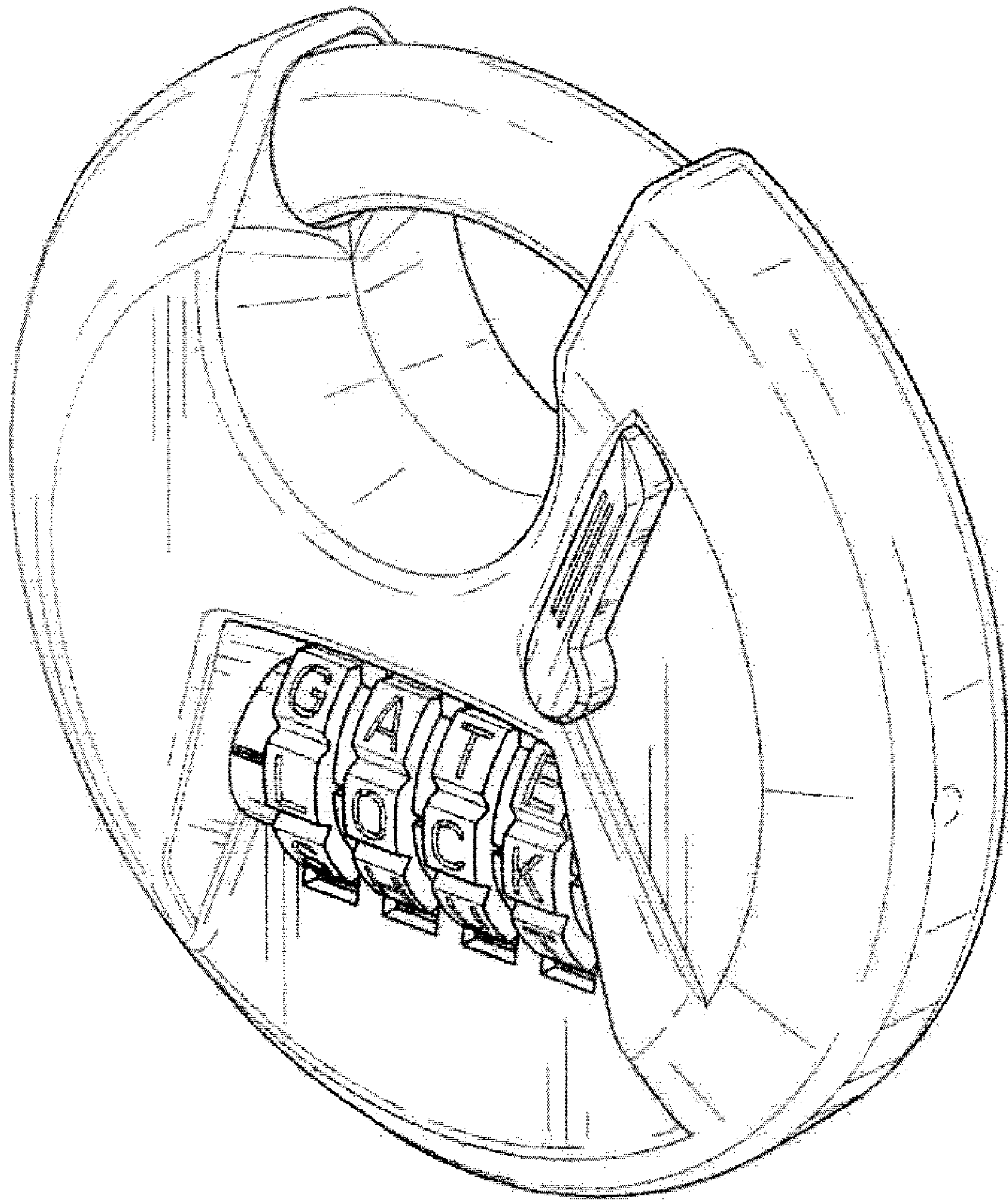


Fig. 1

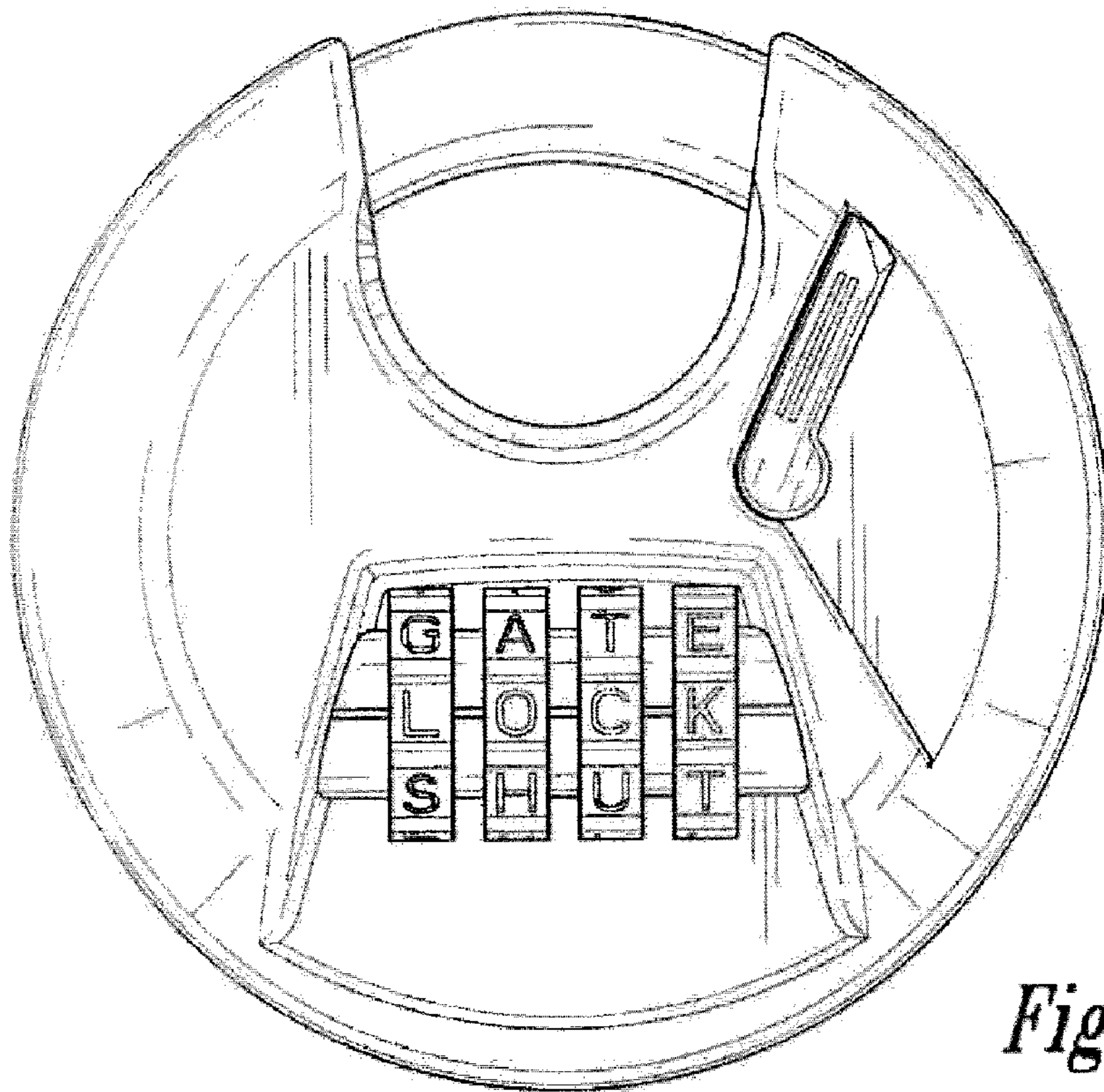


Fig. 2

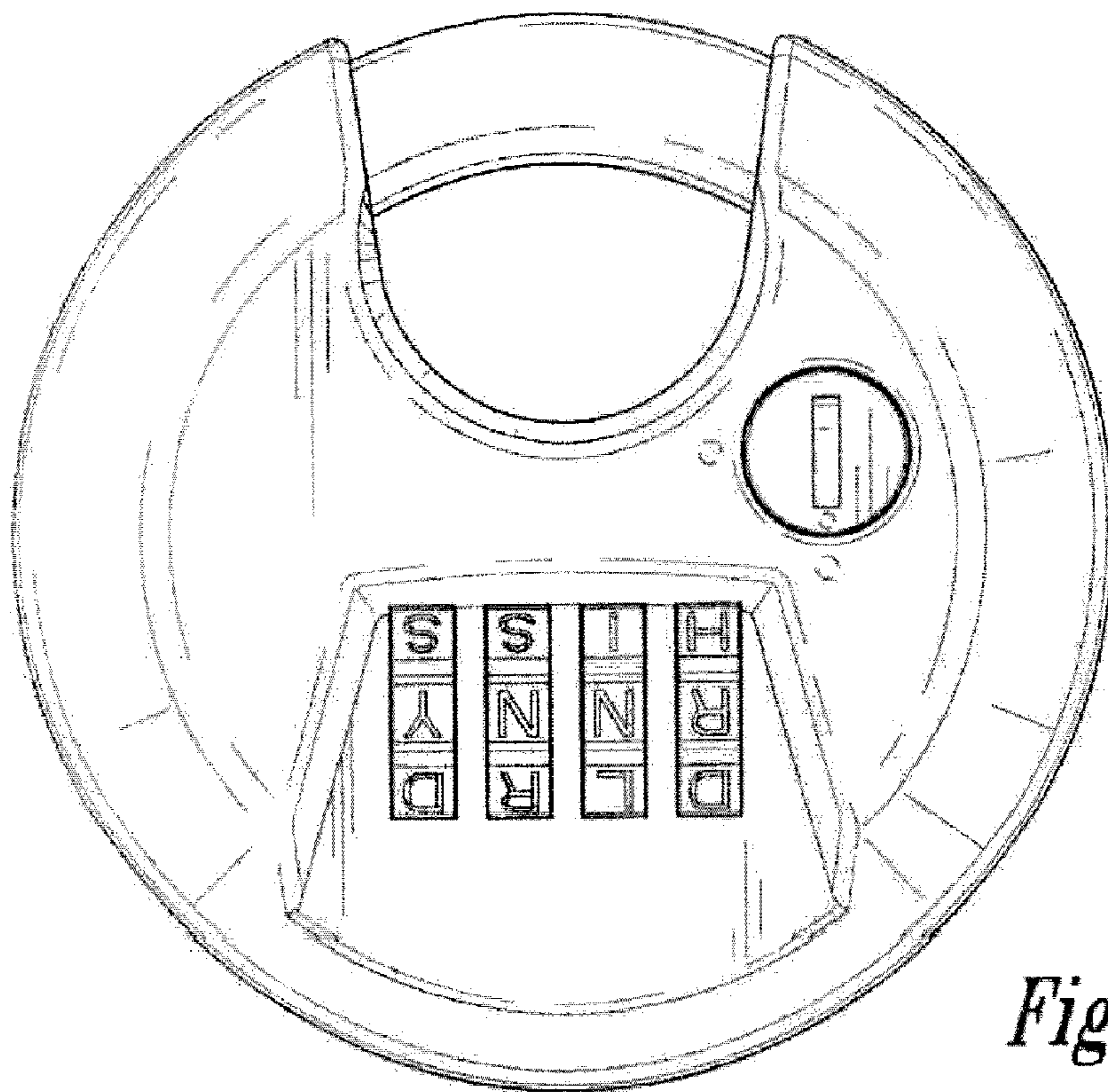


Fig. 3

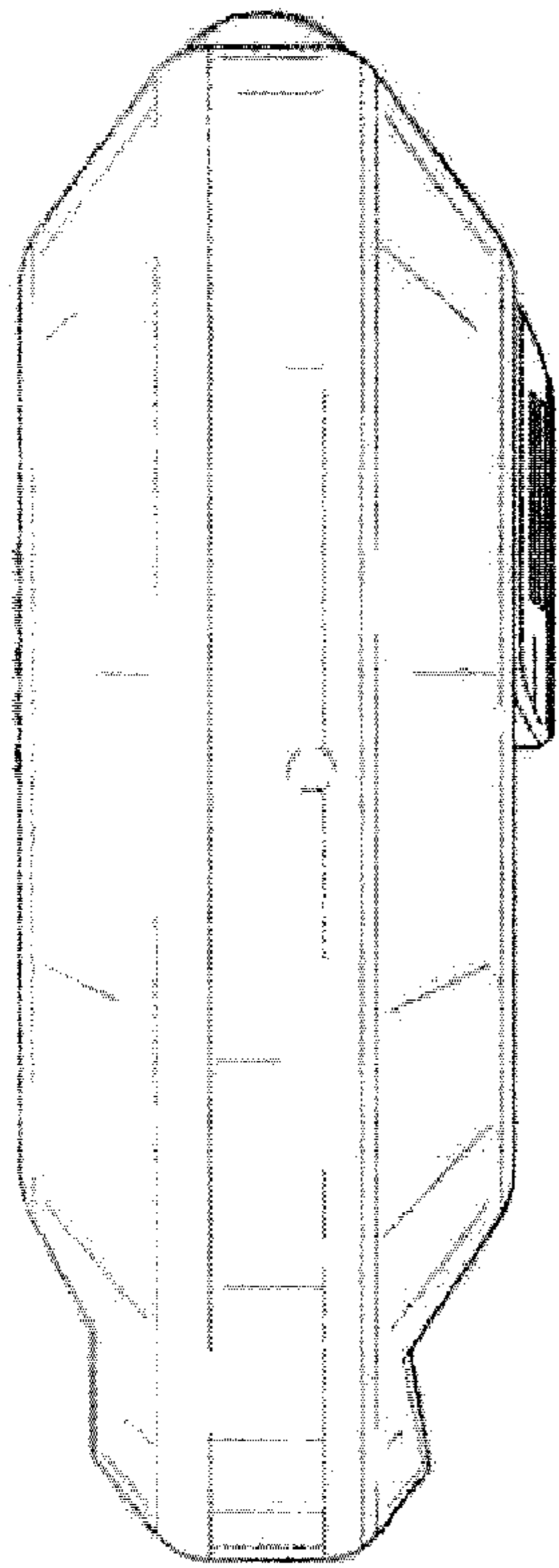


Fig. 4

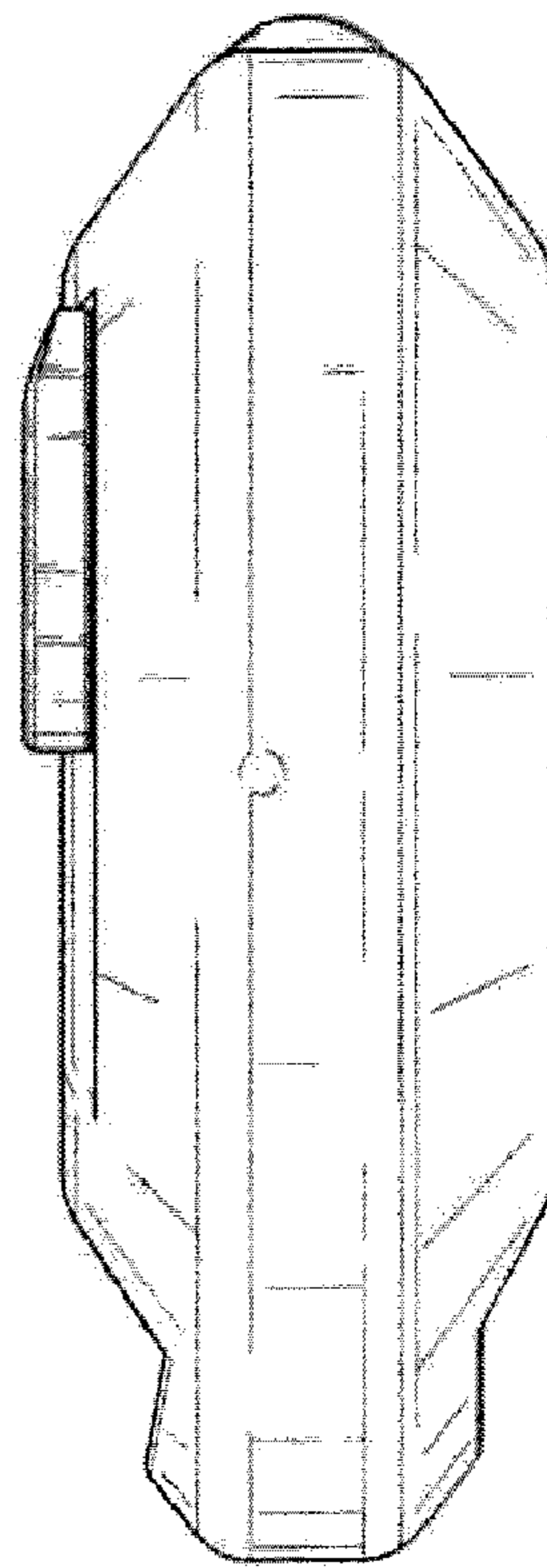


Fig. 5

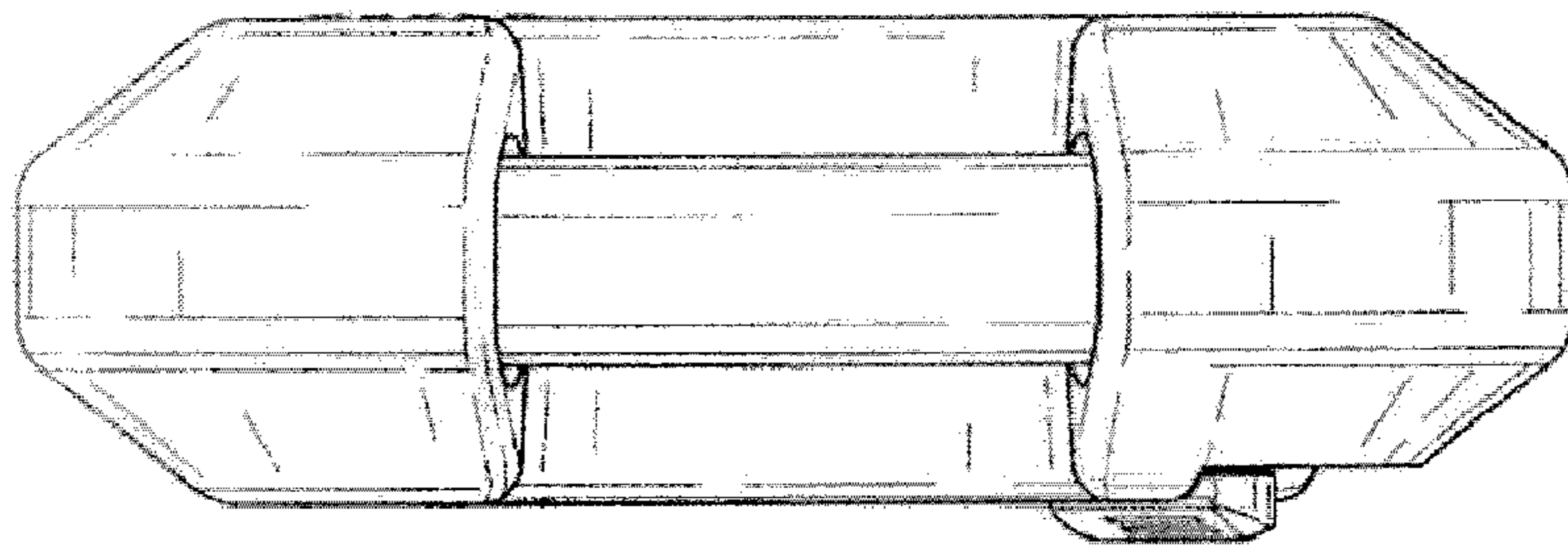


Fig. 6

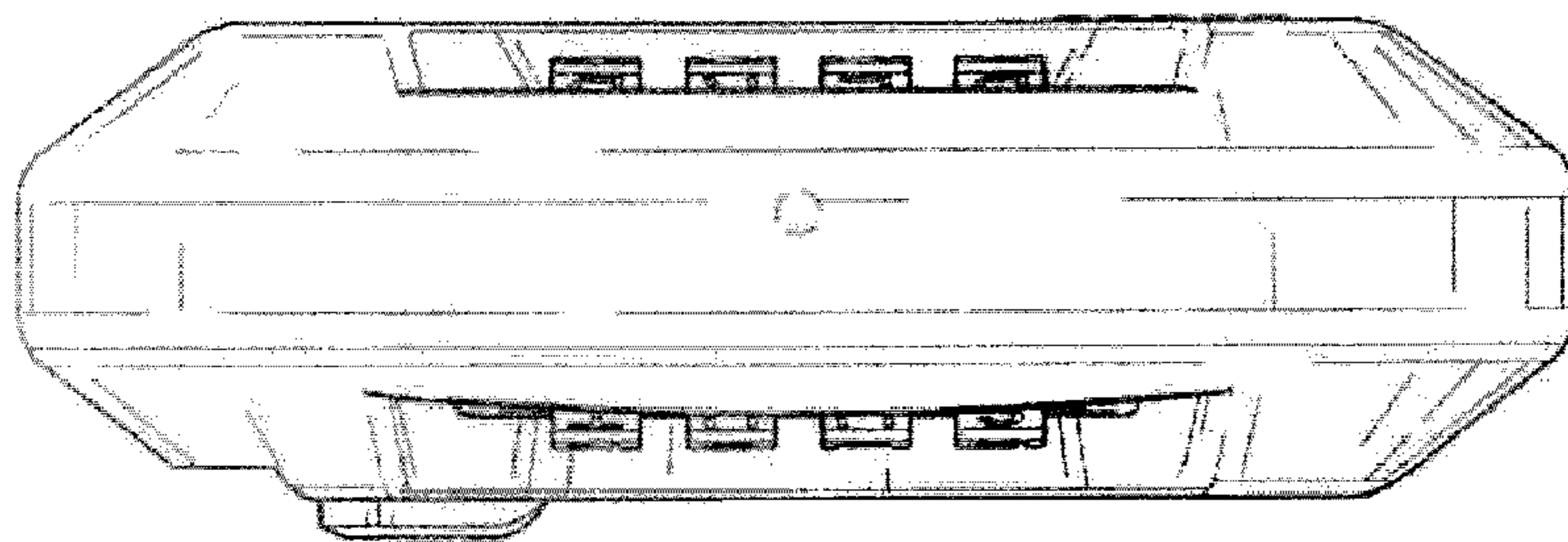


Fig. 7