



US00D638684S

(12) **United States Design Patent**
Stevens

(10) **Patent No.:** **US D638,684 S**

(45) **Date of Patent:** **** May 31, 2011**

(54) **LOCK**
(75) Inventor: **Scott B. Stevens**, St. Francis, WI (US)
(73) Assignee: **Master Lock Company LLC**, Oak Creek, WI (US)
(**) Term: **14 Years**
(21) Appl. No.: **29/366,550**

4,286,445 A 9/1981 Sills
4,317,344 A 3/1982 Barnard
4,689,975 A 9/1987 Dunphy et al.
D296,519 S 7/1988 Newman et al.
4,938,039 A 7/1990 Tzung-I
D314,908 S 2/1991 Pedersen
D315,090 S 3/1991 Pedersen
D316,955 S 5/1991 Goida et al.
5,033,279 A 7/1991 Lebrecht
5,156,029 A 10/1992 Heald
D335,813 S 5/1993 Appelbaum

(Continued)

(22) Filed: **Jul. 27, 2010**

(51) **LOC (9) Cl.** **08-07**

(52) **U.S. Cl.** **D8/334**

(58) **Field of Classification Search** D8/330-347;
70/14, 20-28, 31, 32, 39, 41, 52-56, 86,
70/314, 423, DIG. 43, DIG. 56, 38 A, DIG. 3,
70/DIG. 4

See application file for complete search history.

(56) **References Cited**

U.S. PATENT DOCUMENTS

1,016,455 A 2/1912 Stone
1,106,455 A 8/1914 Stone
D47,239 S 4/1915 Page
1,642,480 A 9/1927 Beard
D80,385 S 1/1930 Maxwell
D92,117 S 4/1934 Stone
D92,377 S 5/1934 Stone
D137,028 S 1/1944 Papkin
D143,245 S 12/1945 Soref
D143,271 S 12/1945 Collura
2,904,985 A 9/1959 Murphy
D197,300 S 1/1964 Maffei
3,626,729 A 12/1971 Fane et al.
3,754,419 A 8/1973 Taylor
3,835,675 A 9/1974 Lippisch
3,882,699 A 5/1975 Flack et al.
D240,590 S 7/1976 Meisner
D241,306 S 9/1976 Foote
4,111,014 A 9/1978 Epstein
4,224,813 A 9/1980 Hampton
4,226,100 A 10/1980 Hampton et al.

OTHER PUBLICATIONS

Master Lock, No. 175 Padlocks Product Description, Mater Lock web site, 2003.

(Continued)

Primary Examiner — Prabhakar Deshmukh
(74) *Attorney, Agent, or Firm* — Calfee, Halter & Griswold LLP

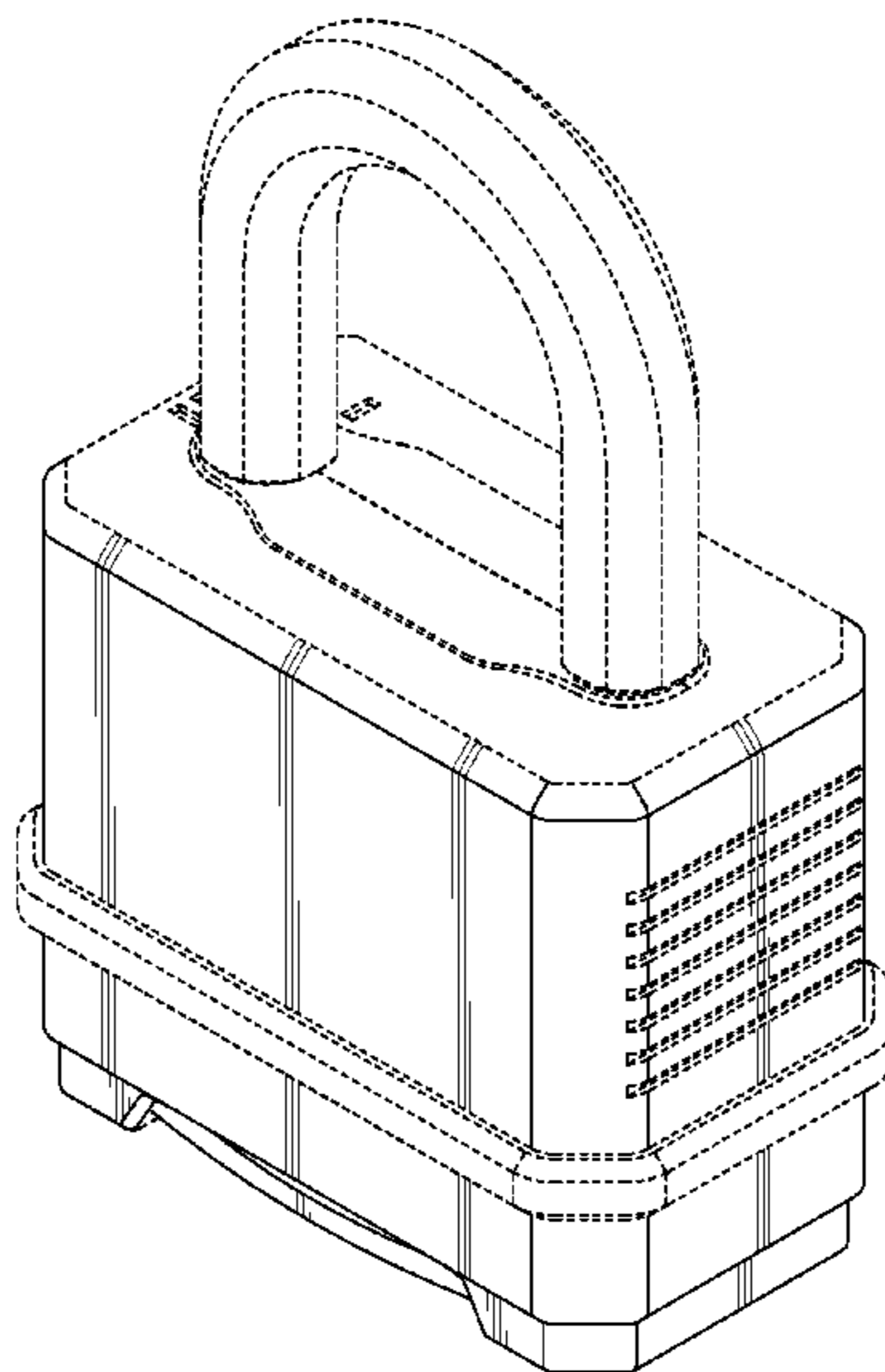
(57) **CLAIM**

I claim the ornamental design for a lock, as shown and described.

DESCRIPTION

FIG. 1 is a perspective view of a lock showing my new design; FIG. 2 is a top plan view thereof; FIG. 3 is a front elevational view thereof; FIG. 4 is a rear elevational view thereof; FIG. 5 is a bottom plan view thereof; FIG. 6 is a left side elevational view thereof; and, FIG. 7 is a right side elevational view thereof. The broken lines adjacent to the shade lines form the boundary of the claimed design. The portion shown in broken lines are for illustrative purpose only. None of the broken lines form part of the claimed design.

1 Claim, 4 Drawing Sheets



US D638,684 S

Page 2

U.S. PATENT DOCUMENTS

D341,766 S 11/1993 Zacher et al.
D342,009 S 12/1993 Lebrecht et al.
D342,010 S 12/1993 Lebrecht et al.
D353,531 S 12/1994 Kahonen
5,664,445 A 9/1997 Chang
5,761,935 A 6/1998 Adelmeyer
D398,513 S 9/1998 Turner
D406,043 S 2/1999 LeClaire
D408,262 S 4/1999 Liu
D411,435 S 6/1999 Matyko
D411,730 S 6/1999 Matyko
D423,324 S 4/2000 Liu
D423,908 S 5/2000 Liu
6,055,832 A 5/2000 Wyers
D429,993 S 8/2000 Liu
D432,391 S 10/2000 Heppner
D449,509 S 10/2001 Liu
D449,510 S 10/2001 Liu
6,298,694 B1 * 10/2001 Knoll 70/25
D454,293 S 3/2002 Bremicker
D461,699 S 8/2002 Lavkainen et al.
D470,390 S 2/2003 Ling
D470,743 S 2/2003 Koy
D484,391 S 12/2003 Hackbarth et al.
D484,776 S 1/2004 Ruan
D484,777 S 1/2004 Ruan

6,813,914 B2 11/2004 Chen
D515,908 S 2/2006 Kearns et al.
D516,896 S 3/2006 Kearns et al.
D547,161 S 7/2007 Blomstrom et al.
D558,025 S 12/2007 Rohde et al.
D566,521 S 4/2008 Rohde et al.
D605,928 S * 12/2009 Stevens et al. D8/334
D606,382 S * 12/2009 Stevens D8/334
D606,841 S * 12/2009 Stevens D8/334

OTHER PUBLICATIONS

Master Lock, Solid Brass Padlocks Product No. 6830 Description, Mater Lock web site.
Master Lock, Solid Brass Padlocks Product No. 6850 Description, Master Lock web site.
Master Lock, No. 2050 Padlock Product Description, Master Lock web site, 2003.
Master Lock, No. 911 Padlock Product Description, Master Lock web site.
Master Lock, Weather Tough Padlocks No. 6121 Product Description, Master Lock web site.
Master Lock, No. 140 Padlocks Product Description, Master Lock web site.
Master Lock, No. 150 Padlocks Description, Master Lock web site.

* cited by examiner

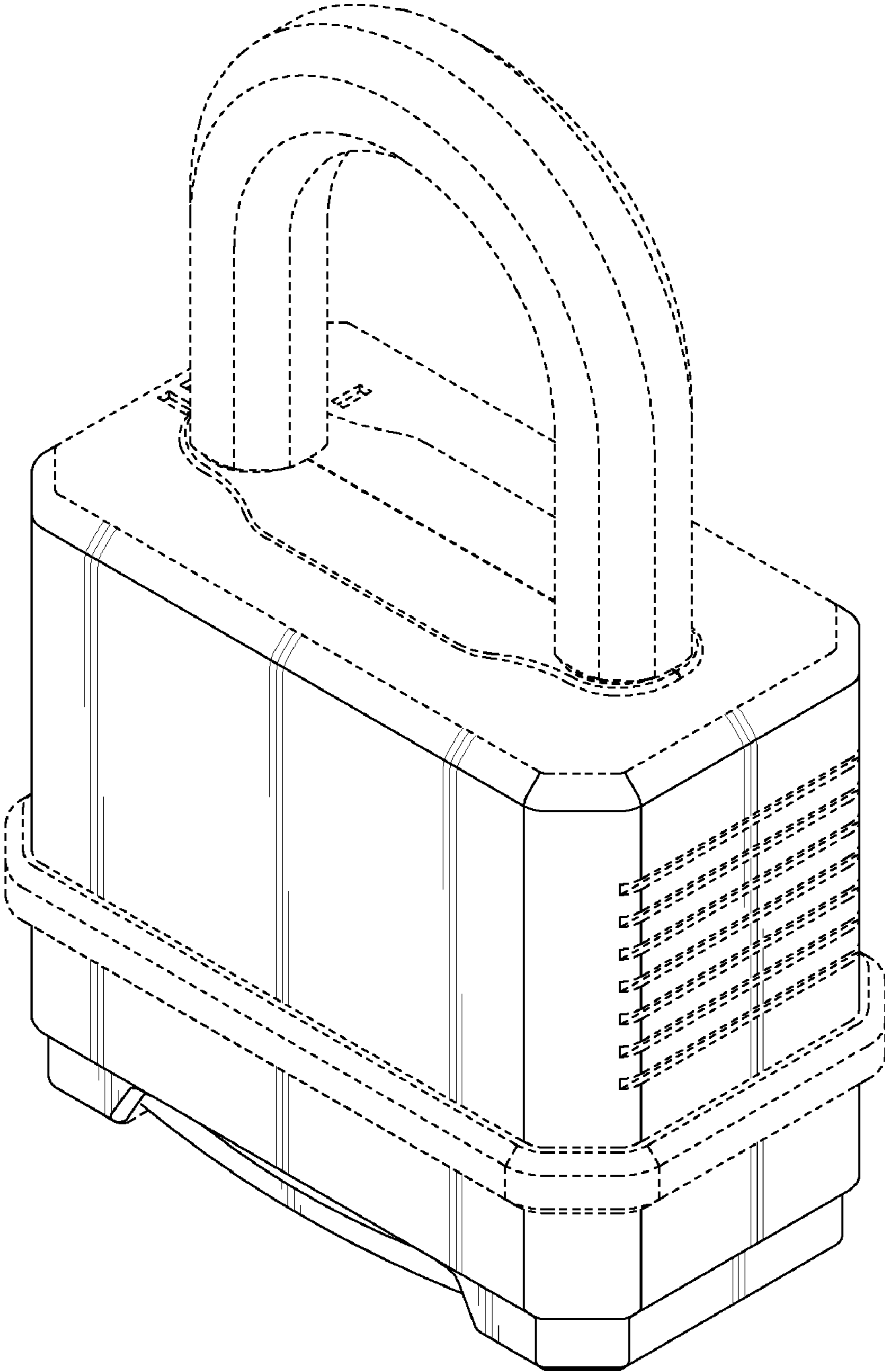


FIG. 1

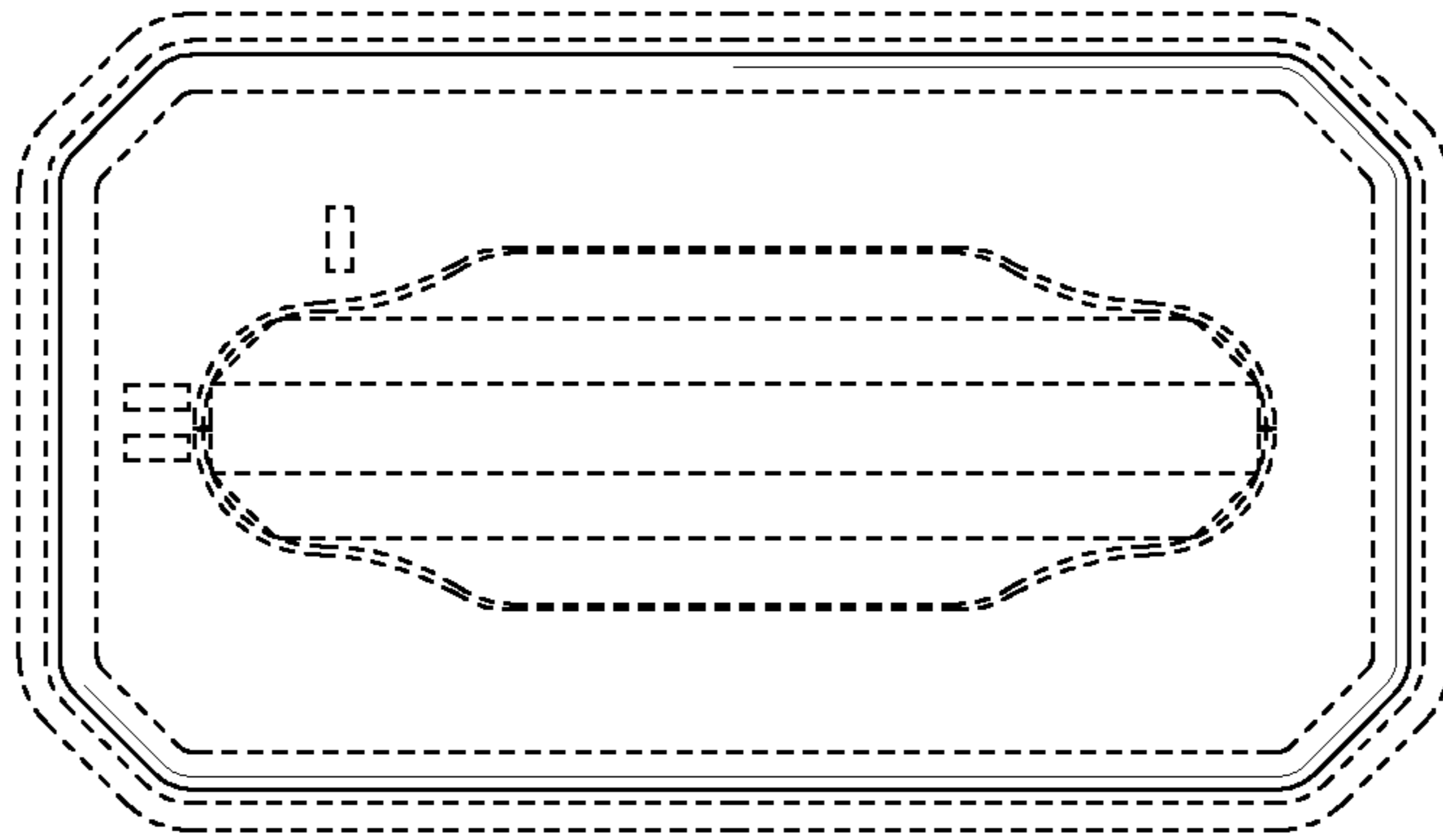


FIG. 2

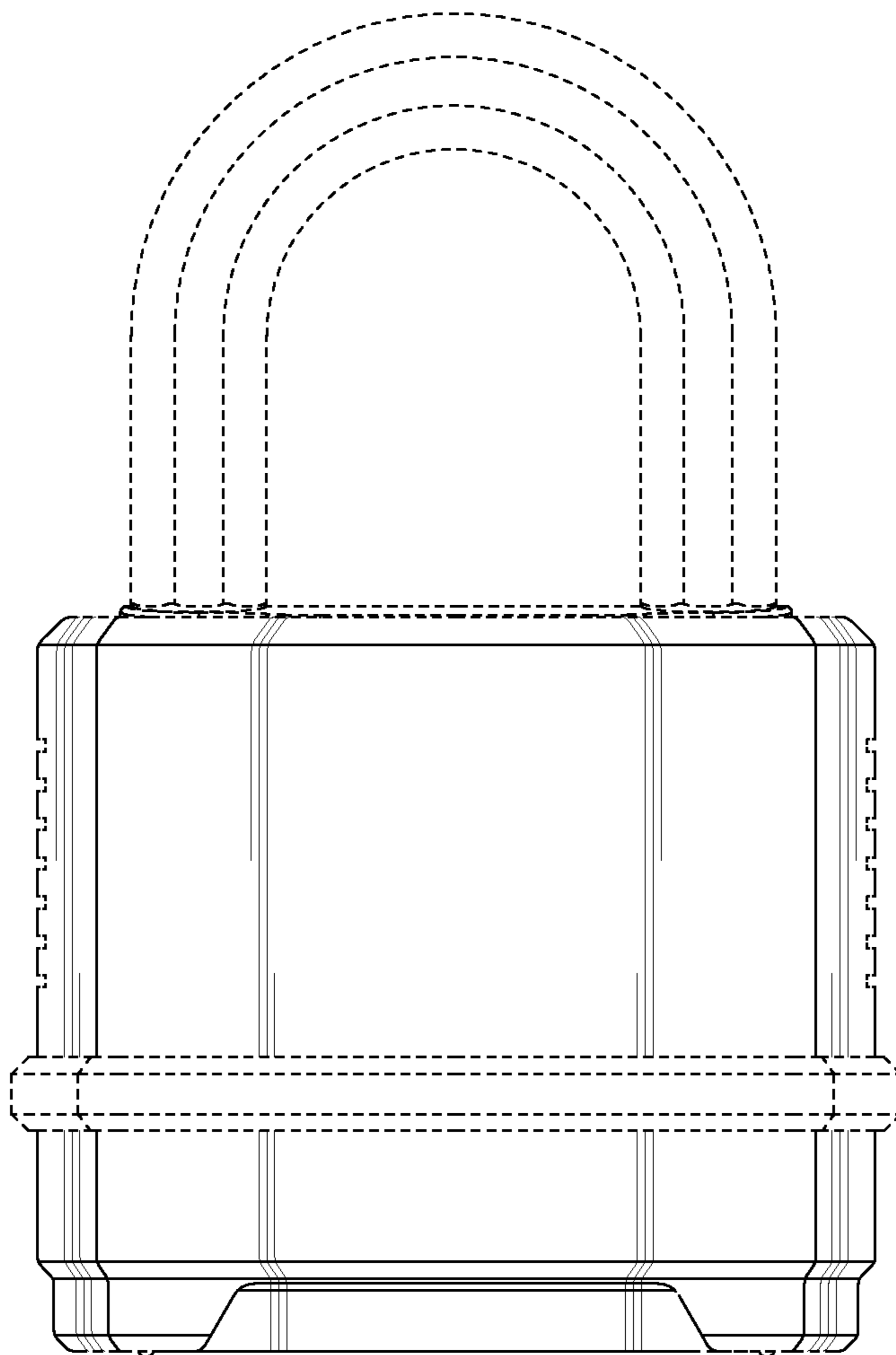


FIG. 3

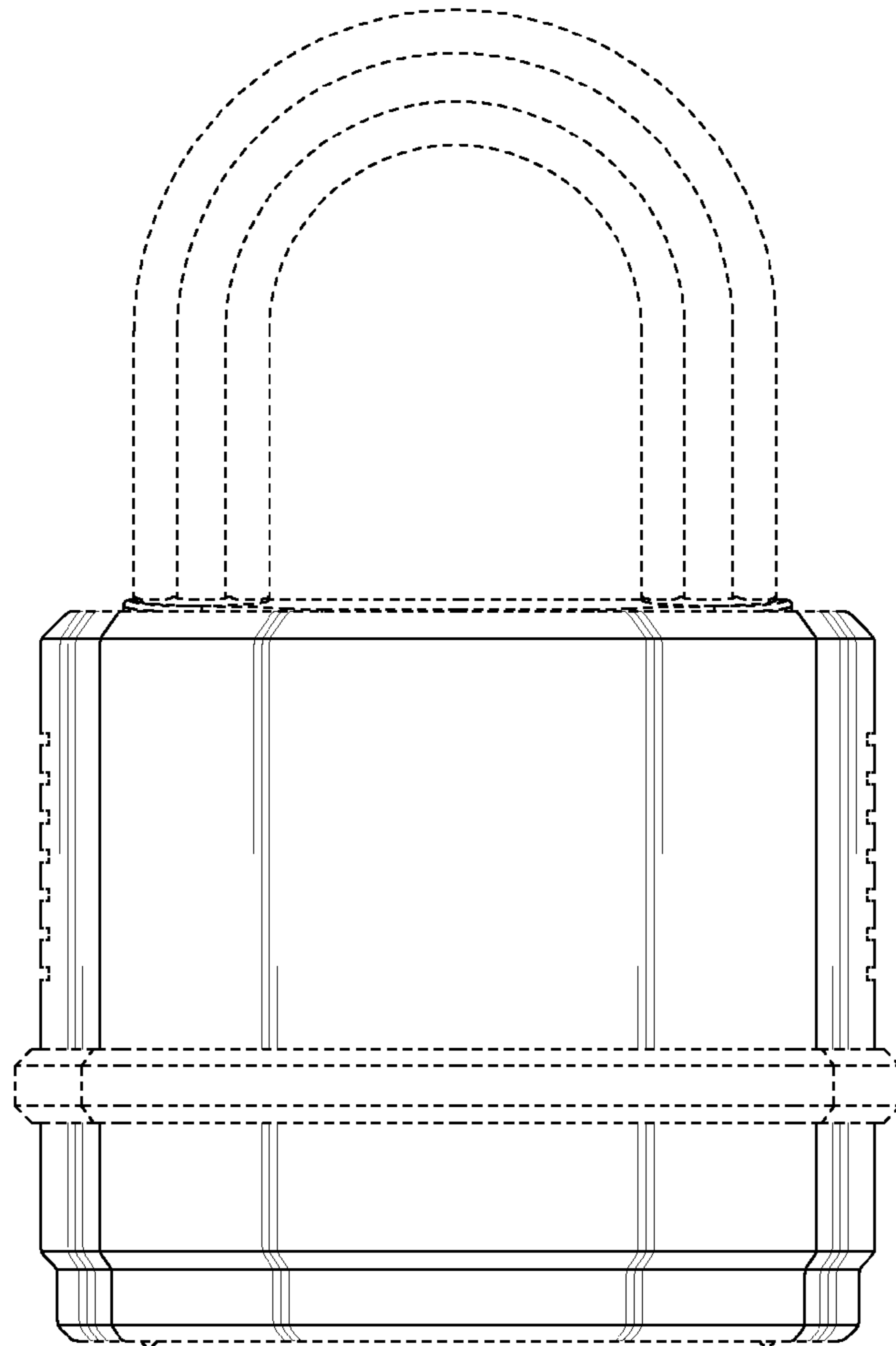


FIG. 4

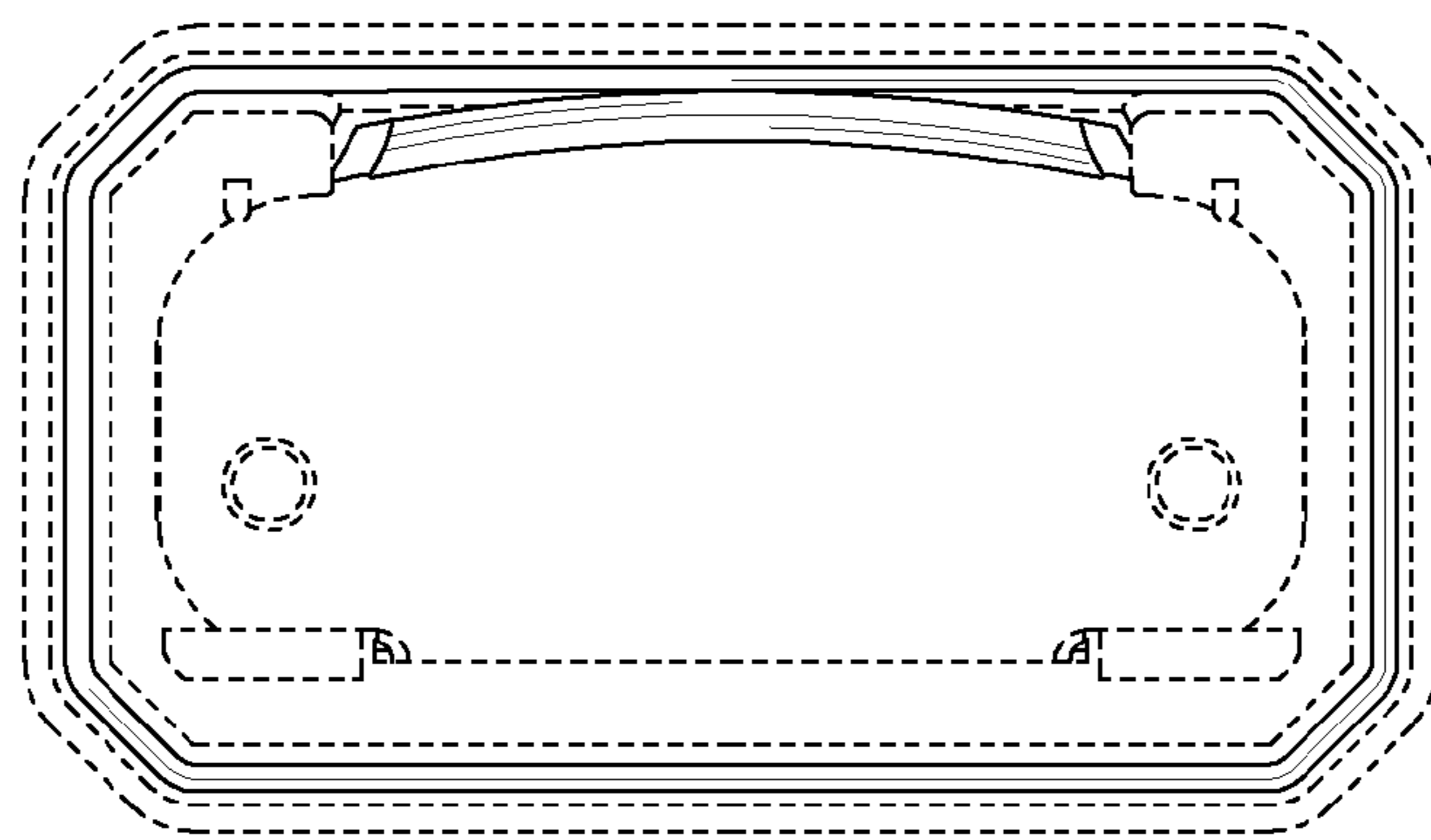


FIG. 5

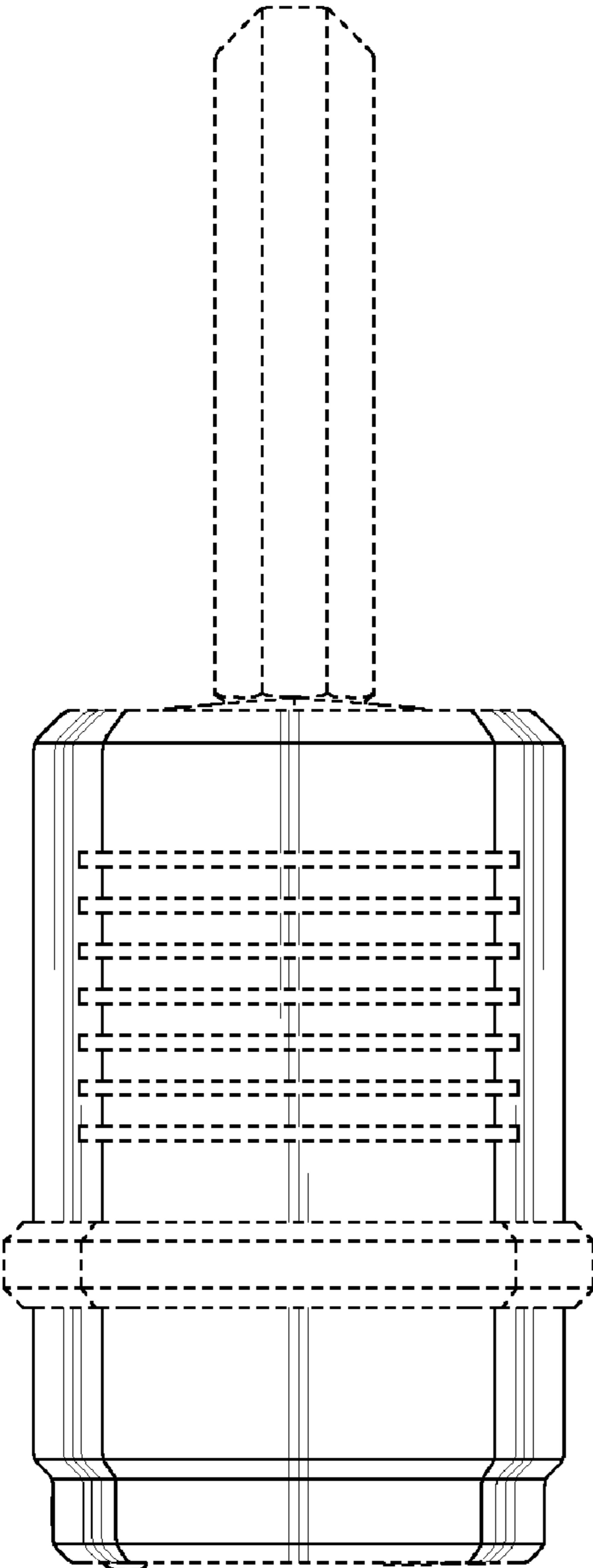


FIG. 6

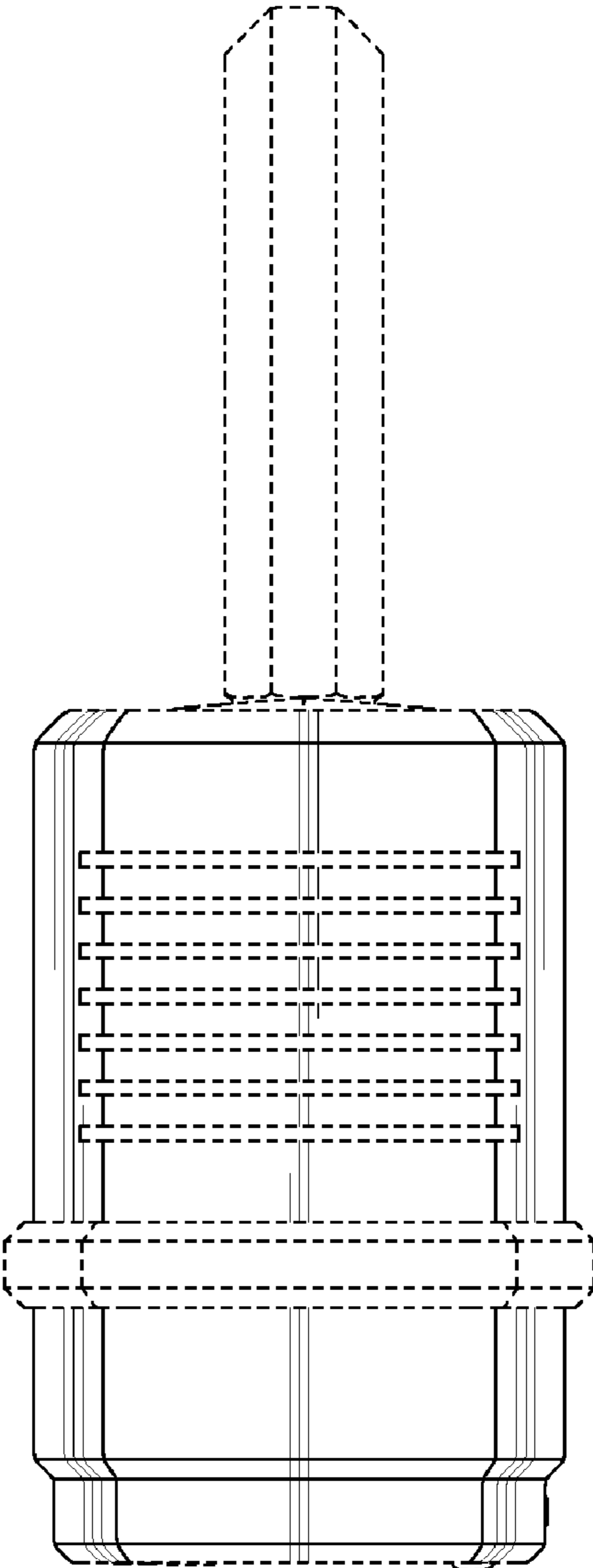


FIG. 7