



US00D638681S

(12) **United States Design Patent**
Yamada et al.

(10) **Patent No.:** **US D638,681 S**

(45) **Date of Patent:** **** May 31, 2011**

(54) **PORTABLE ELECTRIC CIRCULAR SAW**

(75) Inventors: **Kenichi Yamada**, Hitachinaka (JP);
Masanori Okada, Hitachinaka (JP);
Satoshi Iwata, Hitachinaka (JP)

(73) Assignee: **Hitachi Koki Co., Ltd.**, Tokyo (JP)

(**) Term: **14 Years**

(21) Appl. No.: **29/378,557**

(22) Filed: **Nov. 5, 2010**

(30) **Foreign Application Priority Data**

May 6, 2010 (JP) 2010-011040

(51) **LOC (9) Cl.** **08-03**

(52) **U.S. Cl.** **D8/66**

(58) **Field of Classification Search** D8/69,
D8/68, 67, 66, 64, 61, 70; 83/698.41, 747,
83/166.3, 374, 373, 375, 376, 391, 377, 390,
83/388, 389; 125/13.01; 144/218
See application file for complete search history.

(56) **References Cited**

U.S. PATENT DOCUMENTS

D329,363 S *	9/1992	Sasaki et al.	D8/66
D370,162 S *	5/1996	Brazell et al.	D8/66
D400,772 S *	11/1998	Gallagher et al.	D8/66
D475,266 S *	6/2003	Sakai et al.	D8/66
D500,438 S *	1/2005	Andriolo	D8/66

D501,776 S *	2/2005	Wu	D8/66
D501,777 S *	2/2005	Wu	D8/66
D502,373 S *	3/2005	Wu	D8/66
D503,878 S *	4/2005	Tillman et al.	D8/66
D520,319 S *	5/2006	Aglassinger	D8/66
D522,336 S *	6/2006	Waldron	D8/66
D522,832 S *	6/2006	Hastie	D8/66
D531,473 S *	11/2006	Lopano	D8/66
D538,124 S *	3/2007	Yamamoto et al.	D8/66
D552,953 S *	10/2007	Jones	D8/66
D568,705 S *	5/2008	Lopano et al.	D8/66
D578,853 S *	10/2008	Gallagher et al.	D8/66

* cited by examiner

Primary Examiner — Austin Murphy

(74) *Attorney, Agent, or Firm* — Sughrue Mion, PLLC

(57) **CLAIM**

The ornamental design for a portable electric circular saw, as shown and described.

DESCRIPTION

FIG. 1 is a perspective view of top, front and right side of a portable electric circular saw showing our new design;

FIG. 2 is a front view thereof;

FIG. 3 is a rear view thereof;

FIG. 4 is a top plan view thereof;

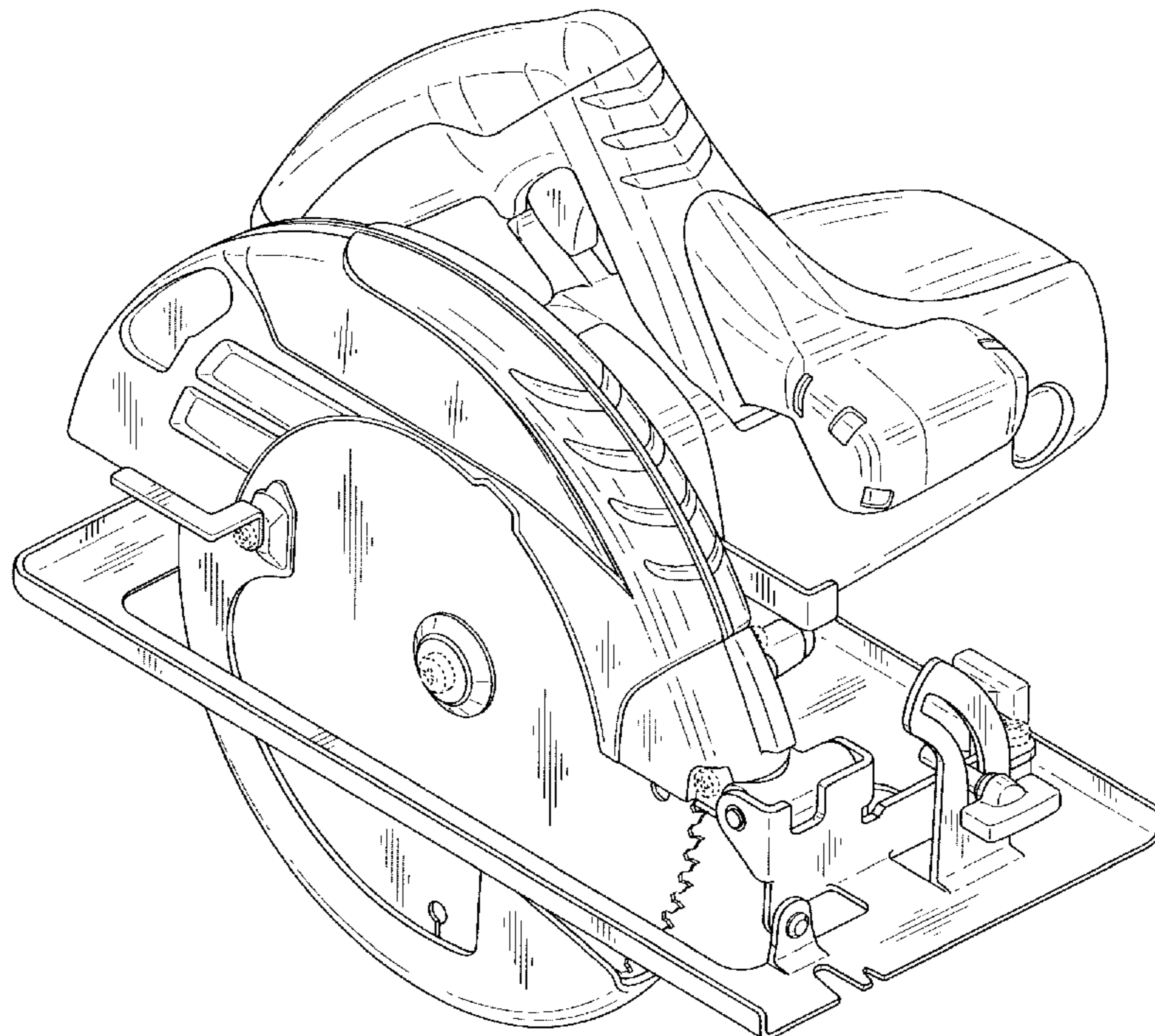
FIG. 5 is a bottom view thereof;

FIG. 6 is a left side view thereof; and,

FIG. 7 is a right side view thereof.

The broken lines shown in the drawings represent unclaimed portions of the portable electric circular saw and form no part of the claimed design.

1 Claim, 7 Drawing Sheets



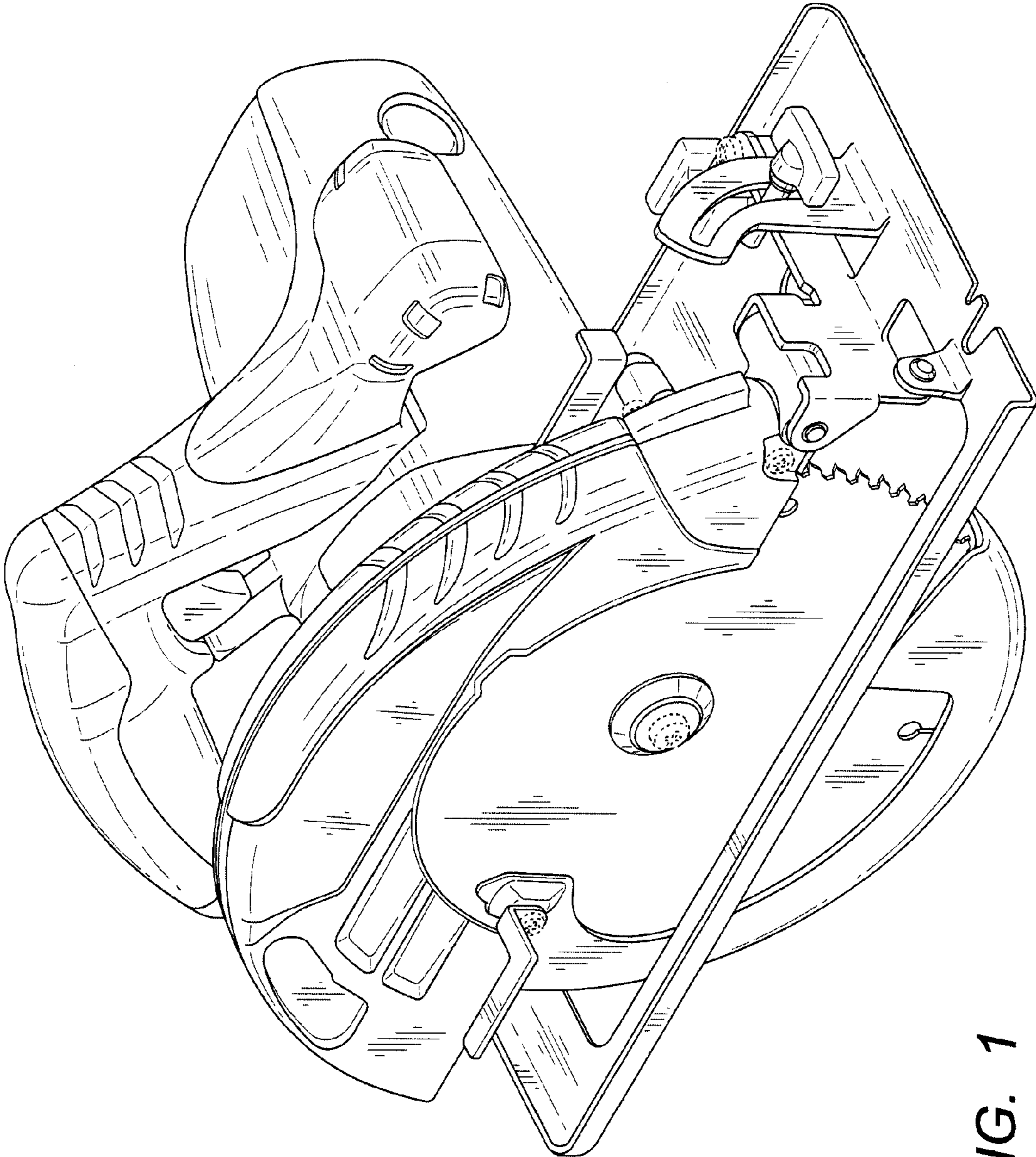


FIG. 1

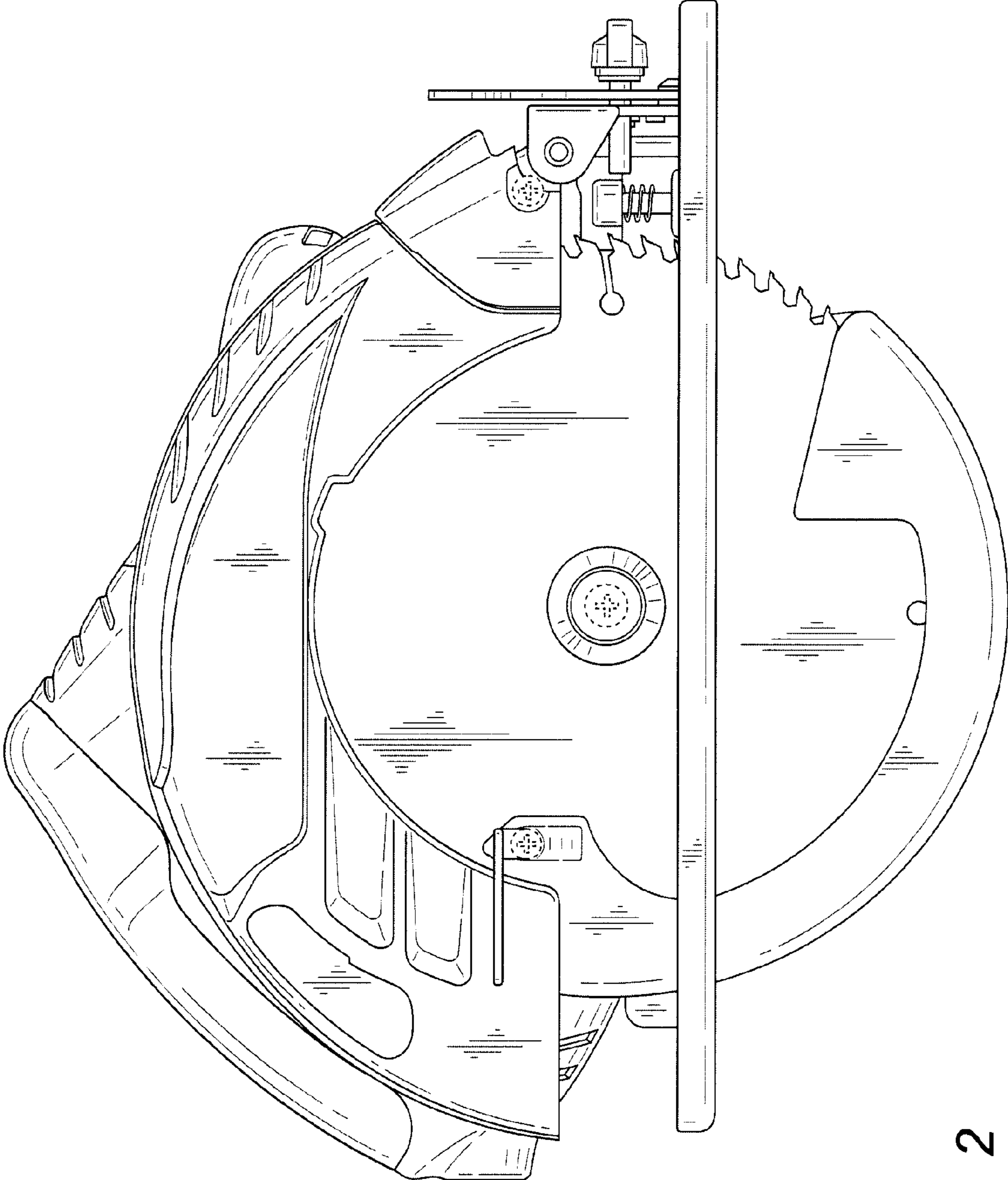


FIG. 2

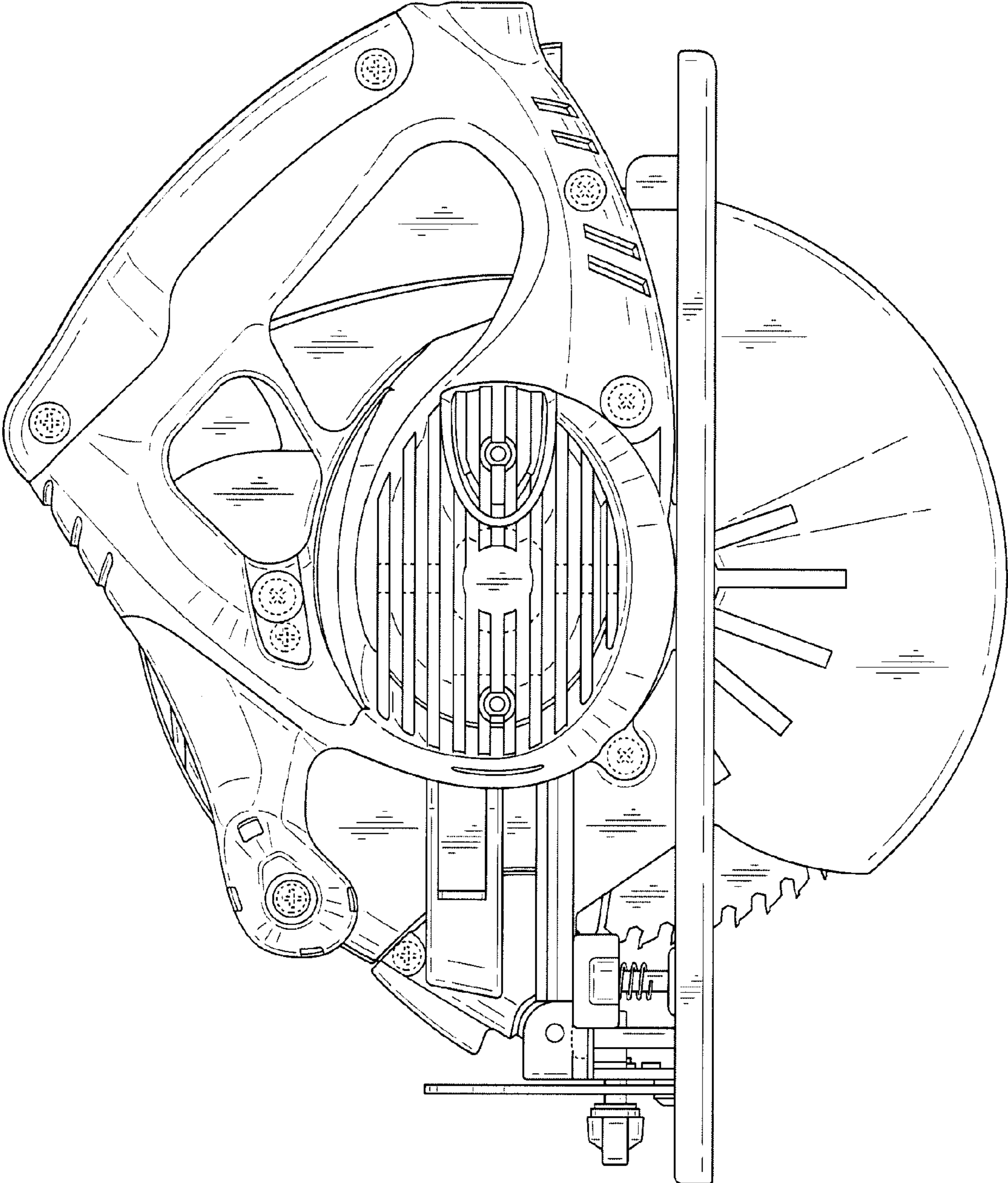


FIG. 3

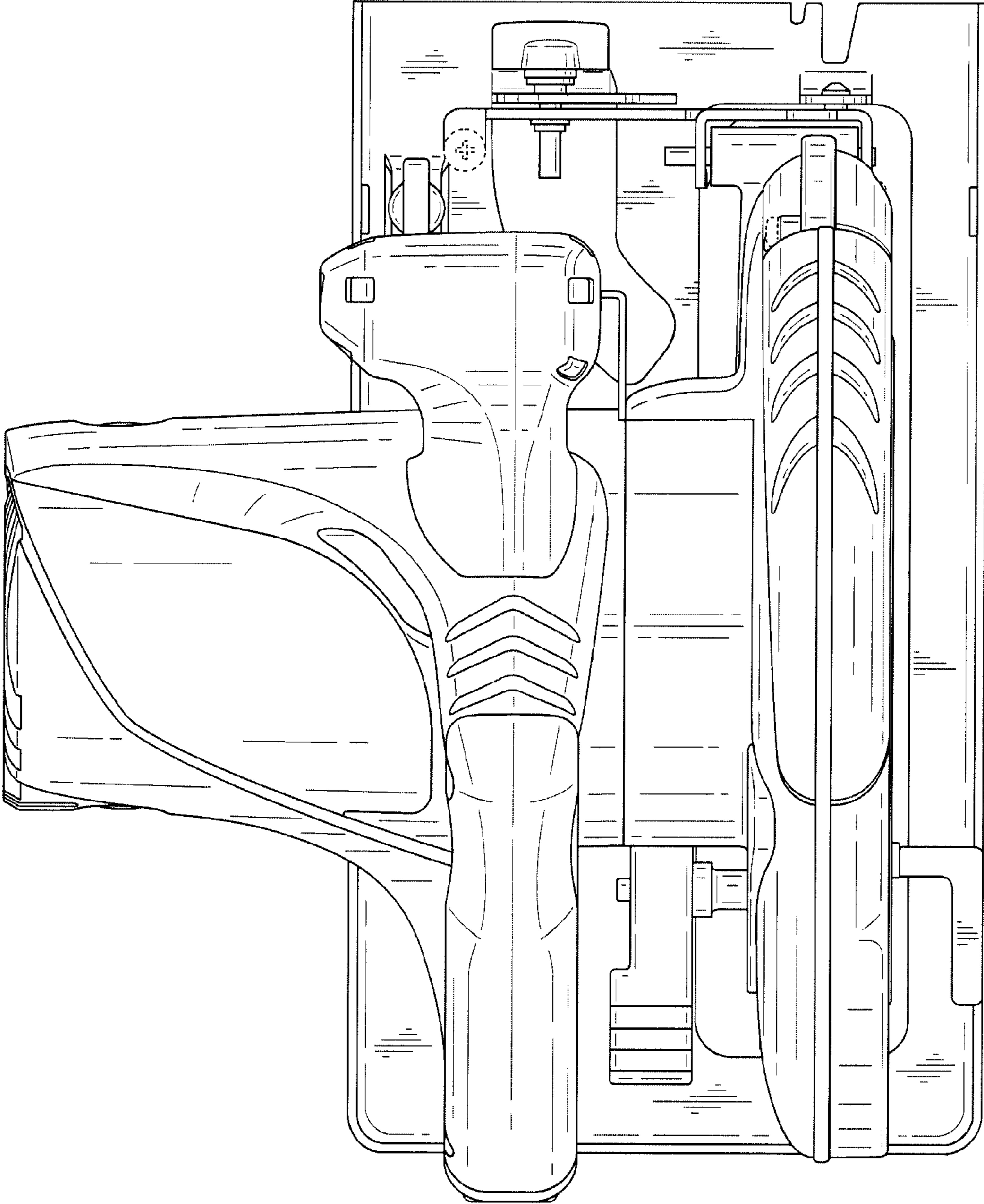


FIG. 4

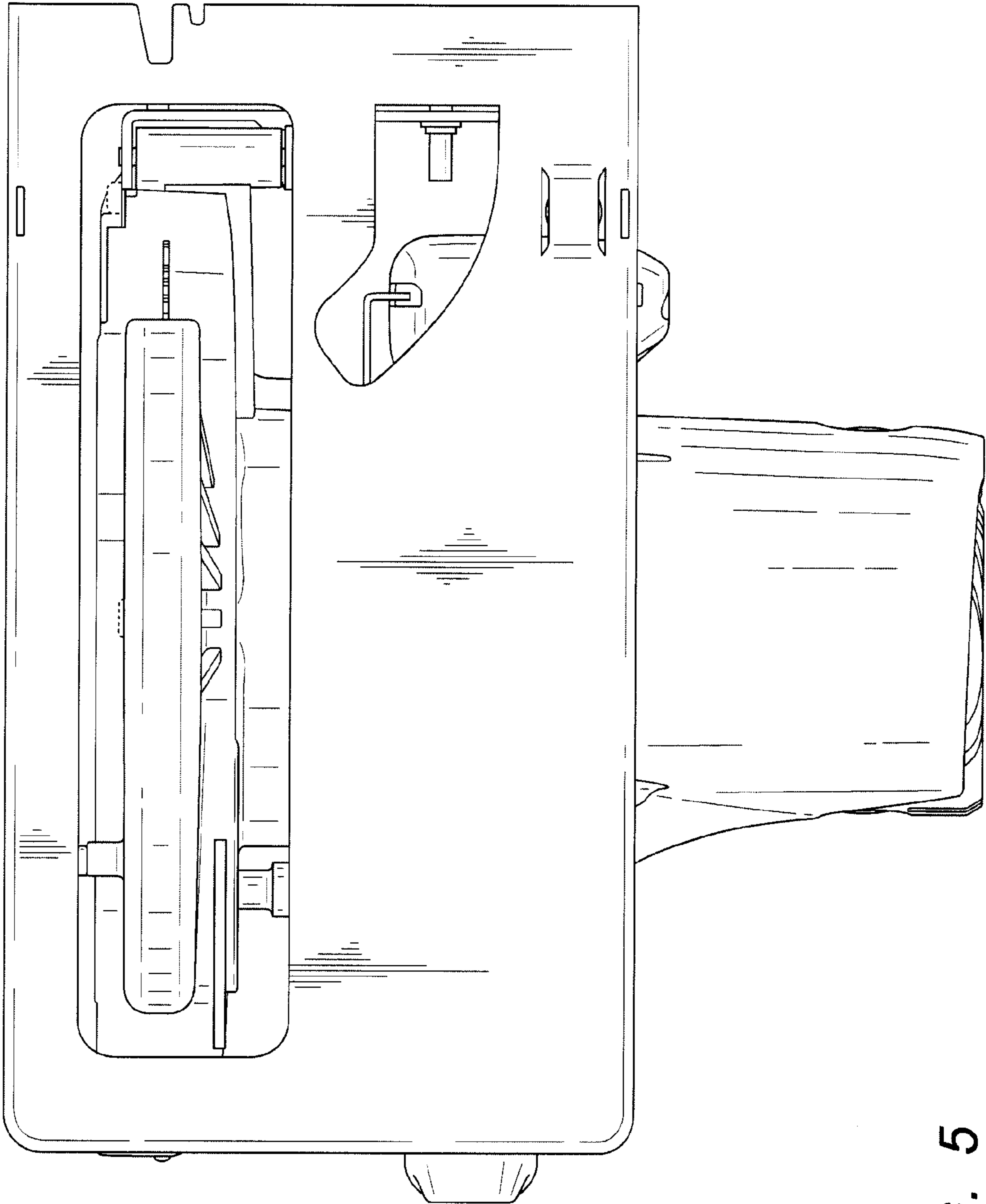


FIG. 5

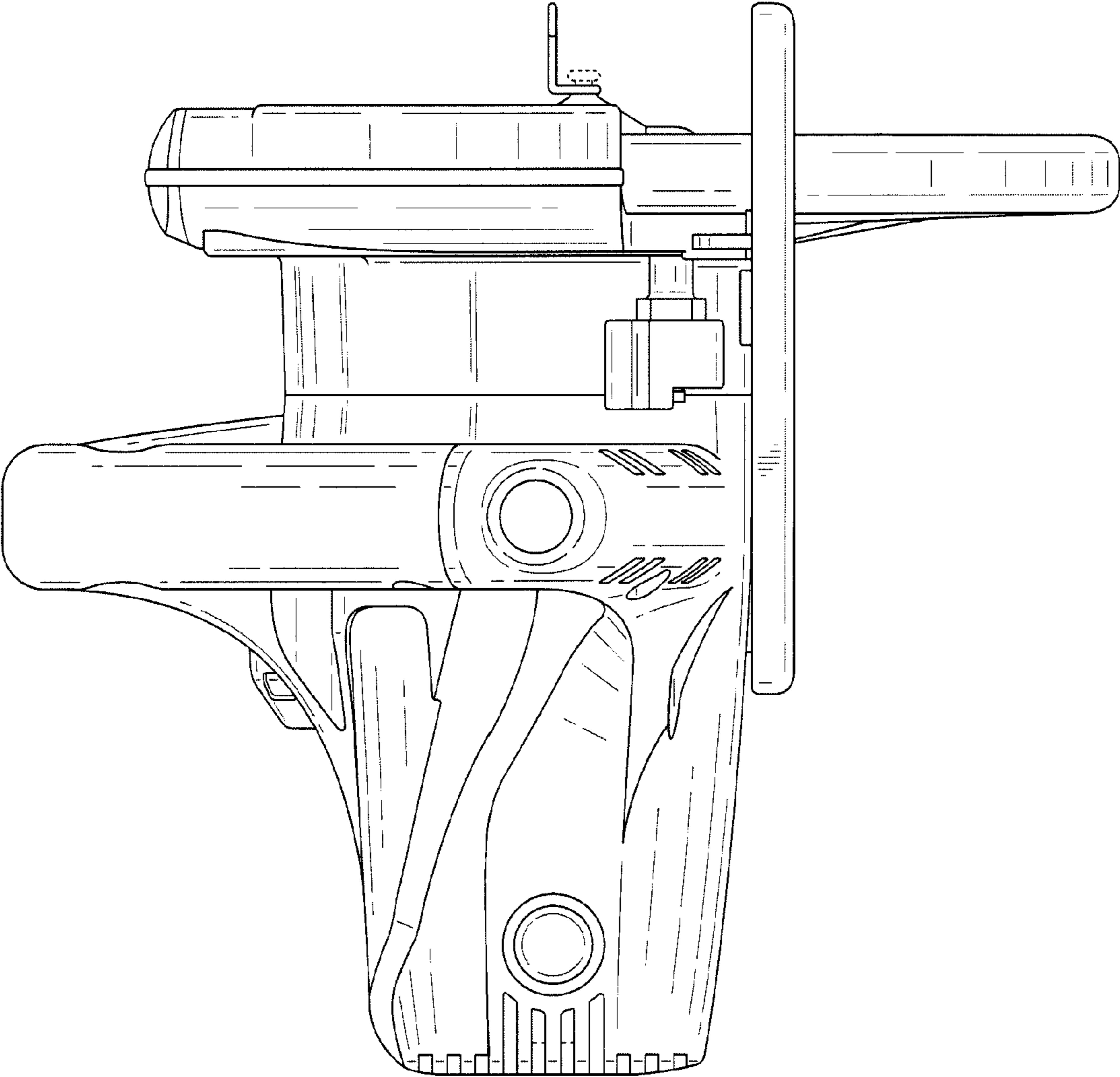


FIG. 6

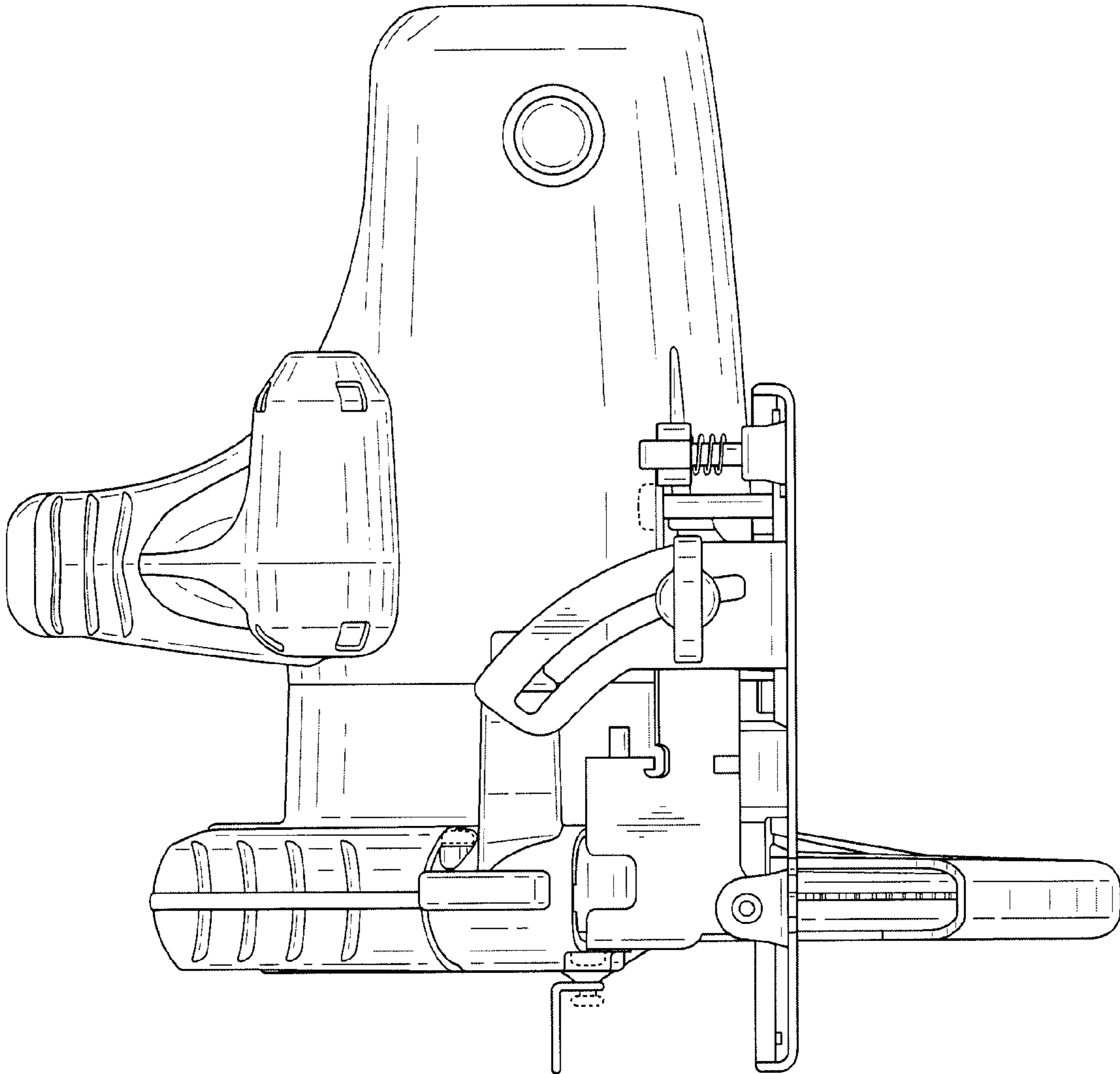


FIG. 7