

US00D638680S

(12) **United States Design Patent**
Xing et al.

(10) **Patent No.:** **US D638,680 S**

(45) **Date of Patent:** **** May 31, 2011**

(54) **CIRCULAR SAW**

(75) Inventors: **Li Xing**, Nanjing (CN); **David Allan**,
Nanjing (CN)

(73) Assignee: **Chervon Limited**, Hong Kong (HK)

(**) Term: **14 Years**

(21) Appl. No.: **29/365,299**

(22) Filed: **Jul. 7, 2010**

(30) **Foreign Application Priority Data**

Feb. 2, 2010 (CN) 2010 3 0105010

(51) **LOC (9) Cl.** **08-03**

(52) **U.S. Cl.** **D8/66**

(58) **Field of Classification Search** D8/69,
D8/68, 67, 66, 64, 61, 70; 83/698.41, 747,
83/166.3, 374, 373, 375, 376, 391, 377, 390,
83/388, 389; 125/13.01; 144/218

See application file for complete search history.

(56) **References Cited**

U.S. PATENT DOCUMENTS

D363,656 S *	10/1995	Gierke	D8/66
D378,488 S *	3/1997	Ito et al.	D8/66
D411,425 S *	6/1999	Sugimoto et al.	D8/66
D427,874 S *	7/2000	Hayakawa et al.	D8/66

D433,300 S *	11/2000	Buck	D8/66
D453,099 S *	1/2002	Welsh	D8/66
D466,385 S *	12/2002	Shigo et al.	D8/66
D470,376 S *	2/2003	Chunn et al.	D8/66
6,543,143 B2 *	4/2003	Moore et al.	30/391
D488,977 S *	4/2004	Evans	D8/66
6,889,439 B2 *	5/2005	Koukal et al.	30/377
D527,599 S *	9/2006	Ng	D8/66
D554,462 S *	11/2007	Zhang	D8/66
D555,450 S *	11/2007	Van Wambeke	D8/66
D559,644 S *	1/2008	Kuroyanagi et al.	D8/66
D568,705 S *	5/2008	Lopano et al.	D8/66
D594,724 S *	6/2009	Ino	D8/66
D596,006 S *	7/2009	Van Wambeke	D8/66

* cited by examiner

Primary Examiner — Austin Murphy

(74) *Attorney, Agent, or Firm* — Greenberg Traurig, LLP

(57) **CLAIM**

The ornamental design for a circular saw, as shown.

DESCRIPTION

FIG. 1 is a left side elevational view of a circular saw showing our new design;

FIG. 2 is a right side elevational view thereof;

FIG. 3 is a front elevational view thereof;

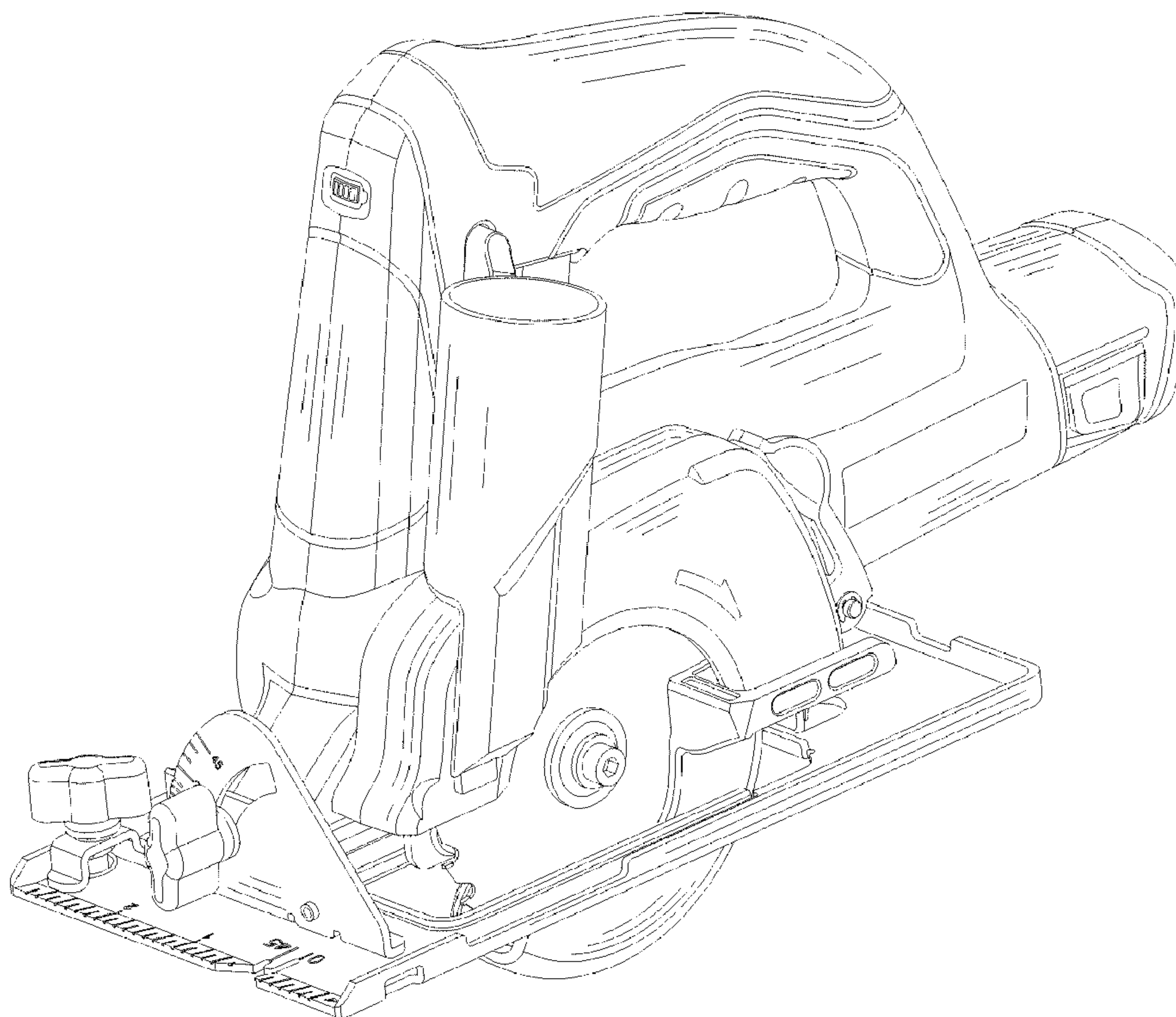
FIG. 4 is a rear elevational view thereof;

FIG. 5 is a top plan view thereof;

FIG. 6 is a bottom plan view thereof; and,

FIG. 7 is a perspective view thereof.

1 Claim, 6 Drawing Sheets



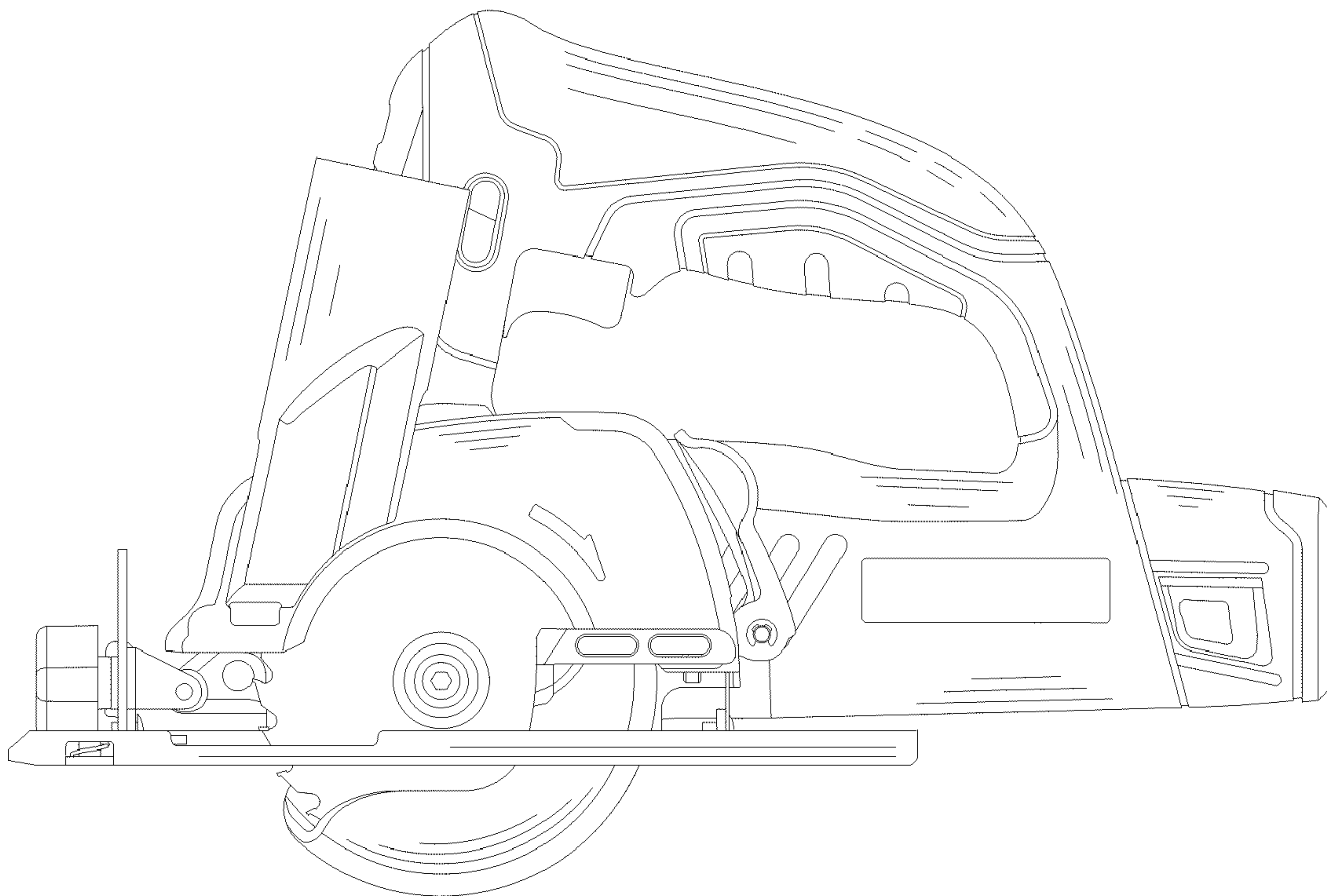


Fig. 1

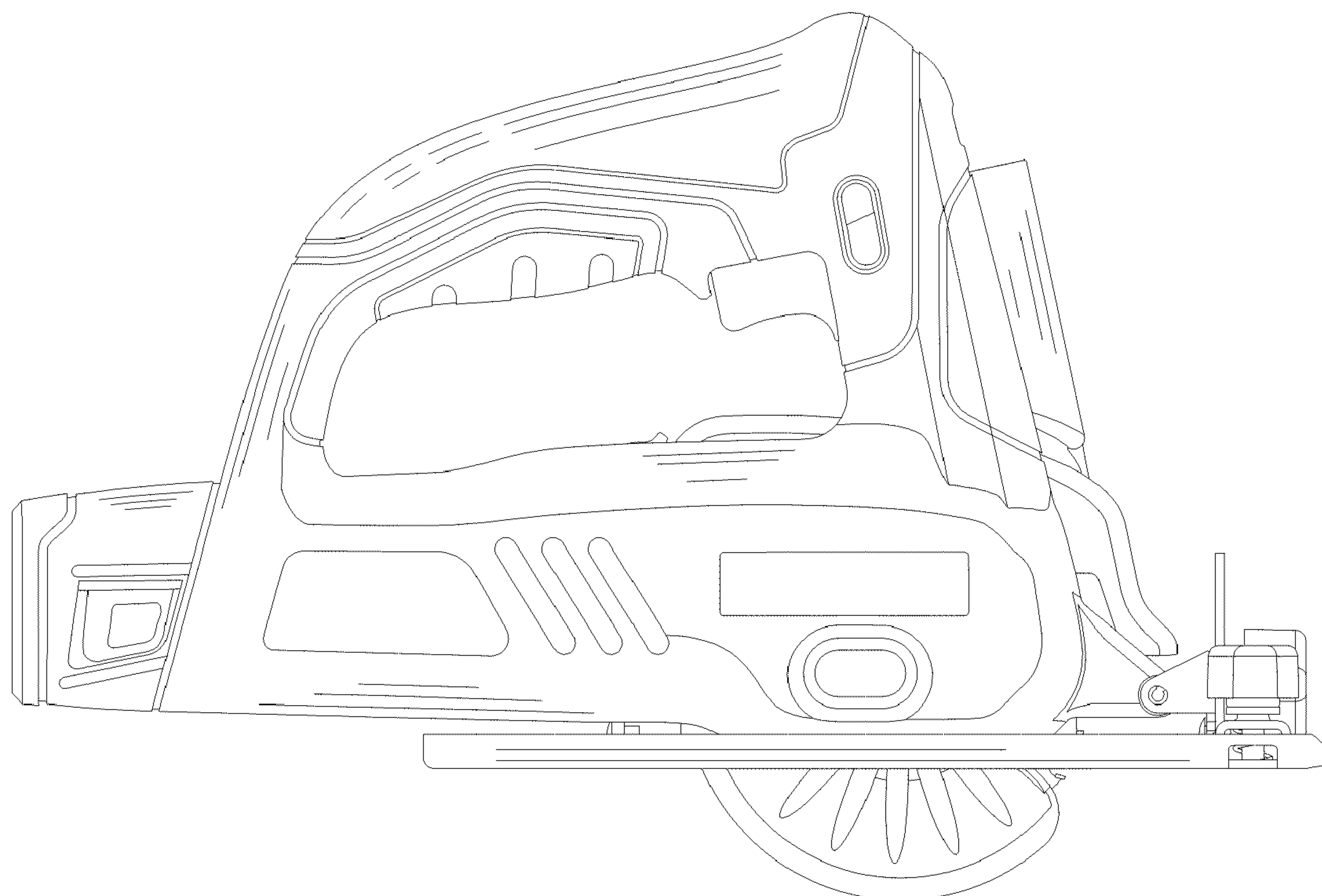


Fig. 2

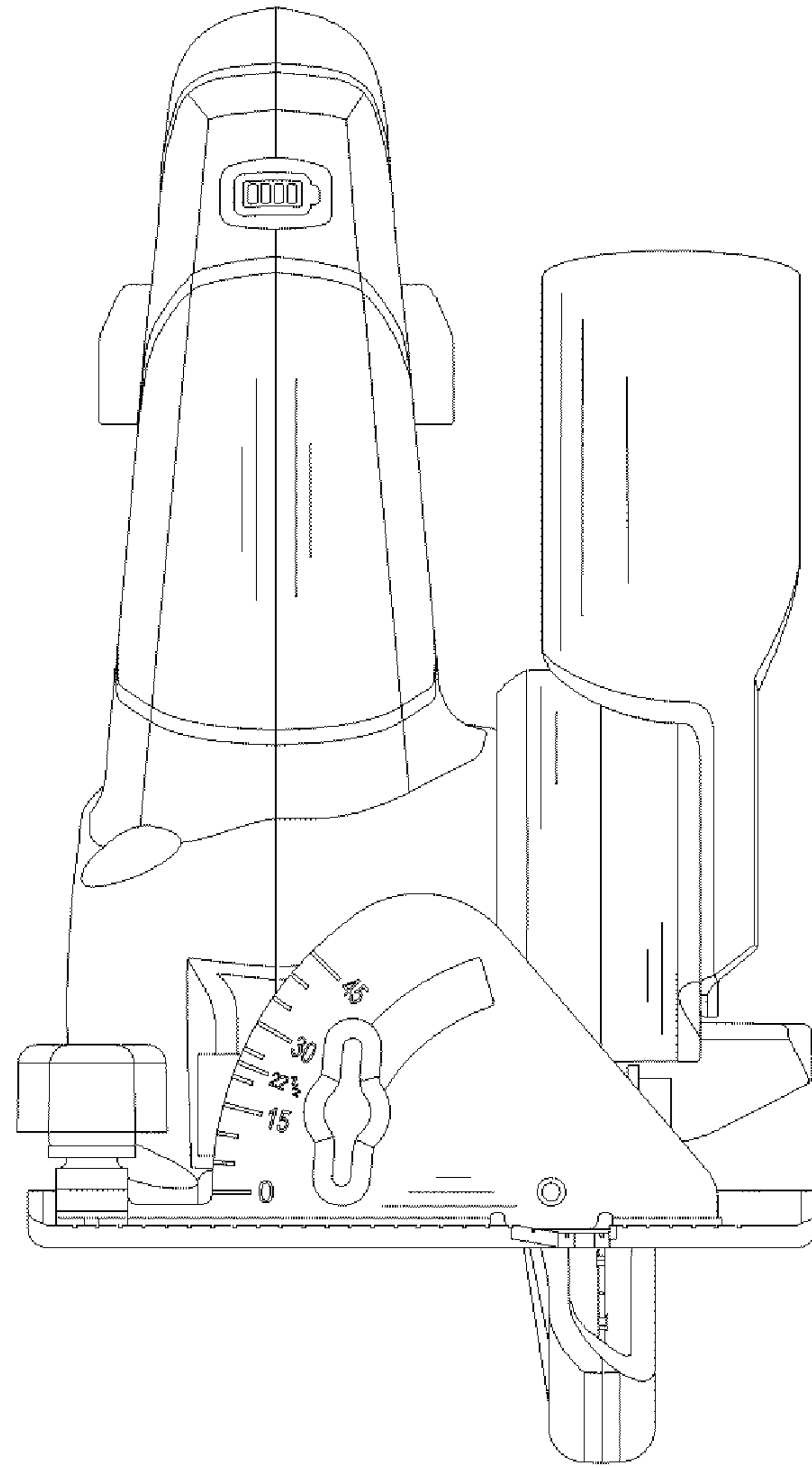


Fig. 3

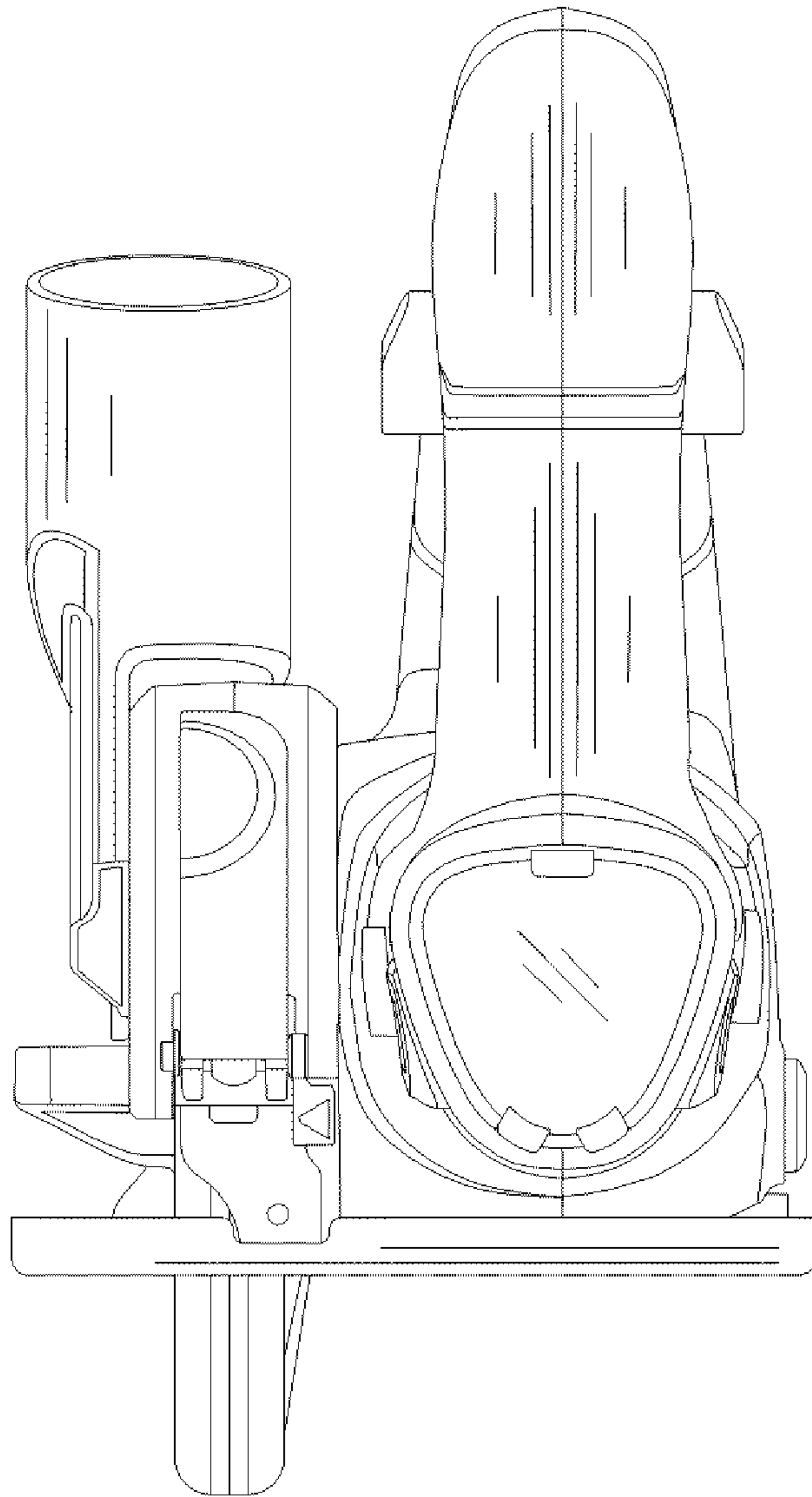


Fig. 4

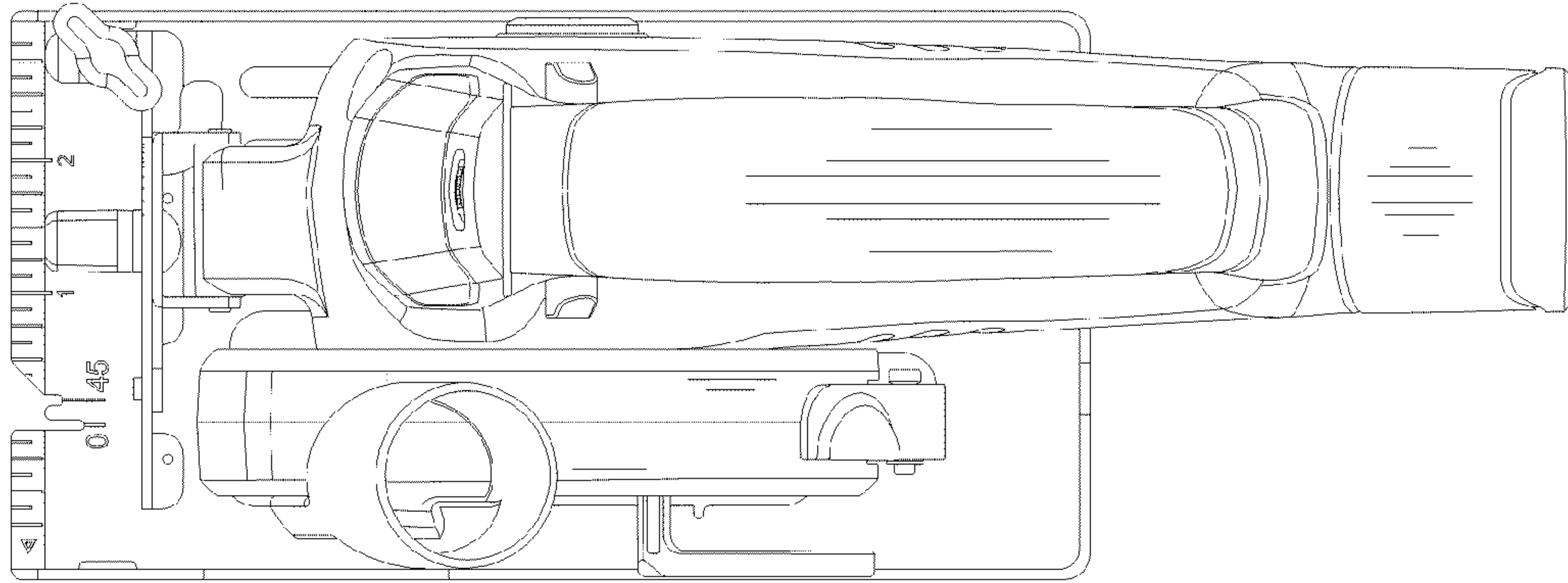


Fig. 5

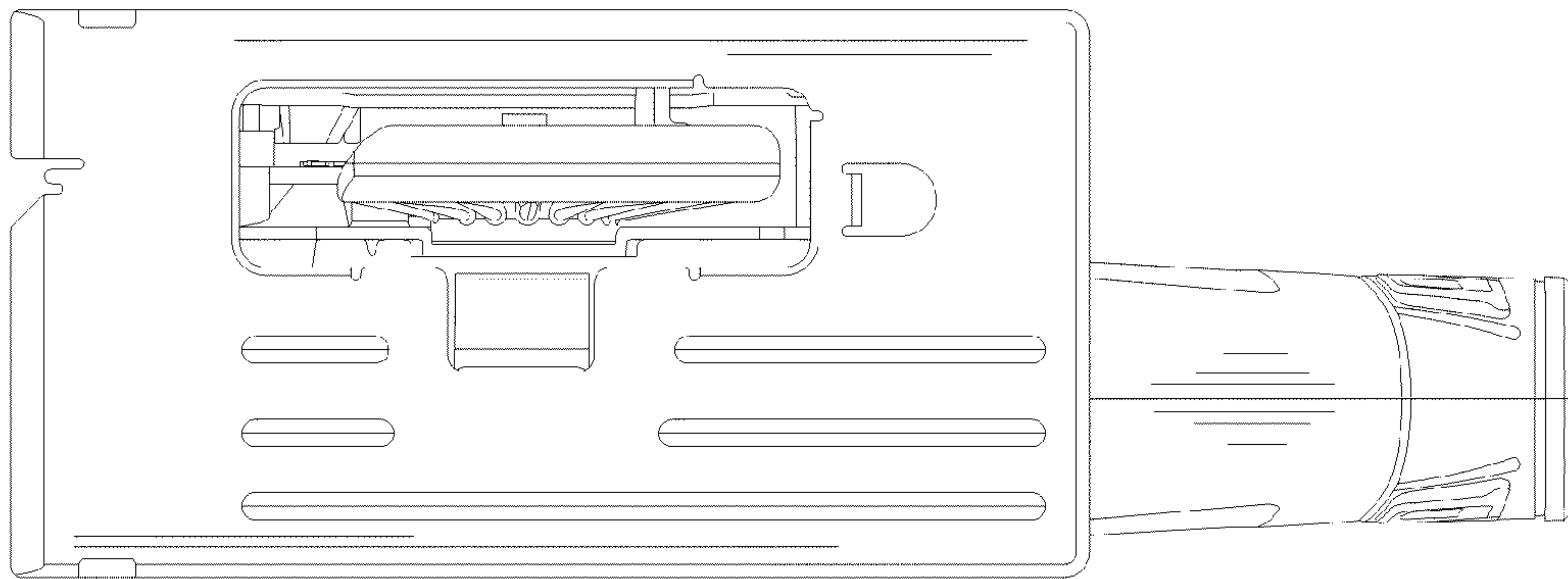


Fig. 6

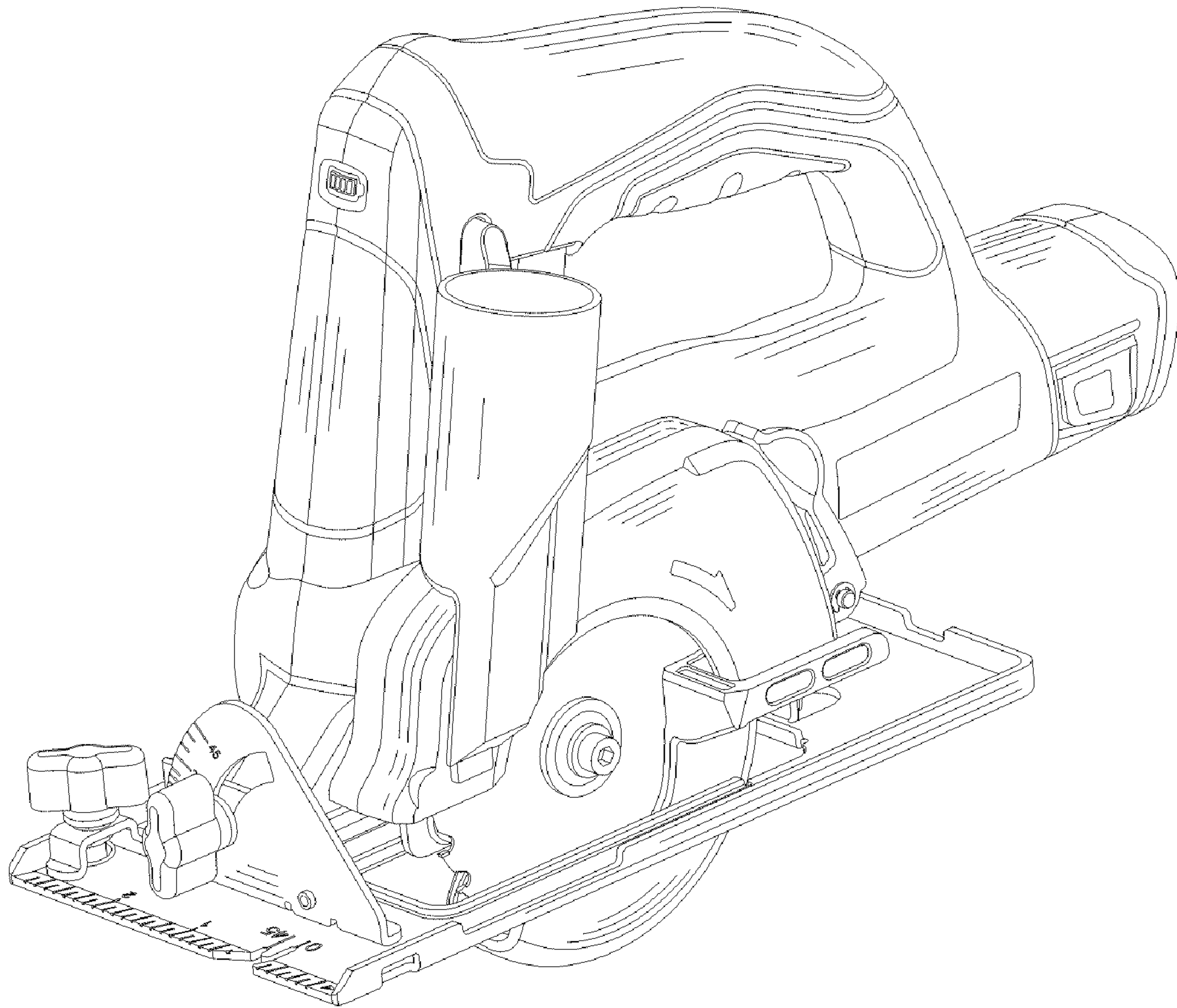


Fig. 7