



US00D638679S

(12) **United States Design Patent**
Proulx

(10) **Patent No.:** **US D638,679 S**
(45) **Date of Patent:** **** May 31, 2011**

(54) **TRIMMER HEAD FOR USE IN FLEXIBLE
LINE ROTARY TRIMMERS**

DESCRIPTION

- (75) Inventor: **Richard A. Proulx**, Alta Loma, CA (US)
- (73) Assignee: **Proulx Manufacturing, Inc.**, Rancho Cucamonga, CA (US)
- (**) Term: **14 Years**
- (21) Appl. No.: **29/379,876**
- (22) Filed: **Nov. 24, 2010**

Related U.S. Application Data

- (62) Division of application No. 29/350,231, filed on Nov. 12, 2009, now Pat. No. Des. 630,068.
- (51) **LOC (9) Cl.** **08-01**
- (52) **U.S. Cl.** **D8/8**
- (58) **Field of Classification Search** D8/8, 9;
56/12.7, 295; 30/276
See application file for complete search history.

References Cited

U.S. PATENT DOCUMENTS

| | | | | | | |
|-----------|----|---|---------|----------------|-------|--------|
| D482,941 | S | * | 12/2003 | Nystrom | | D8/8 |
| D502,368 | S | * | 3/2005 | Nystrom et al. | | D8/8 |
| D584,581 | S | * | 1/2009 | Bradford | | D8/8 |
| D598,254 | S | * | 8/2009 | Alliss | | D8/8 |
| D598,255 | S | * | 8/2009 | Alliss | | D8/8 |
| 7,762,002 | B2 | * | 7/2010 | Proulx | | 30/276 |
| 7,797,839 | B2 | * | 9/2010 | Proulx | | 30/276 |
| D630,068 | S | * | 1/2011 | Proulx | | D8/8 |

* cited by examiner

Primary Examiner — Holly H Baynham
Assistant Examiner — Sheryl Lane
 (74) *Attorney, Agent, or Firm* — Holland & Knight LLP;
 Richard E. Lyon, Jr.

CLAIM

The ornamental design for a trimmer head for use in flexible line rotary trimmers, as shown and described.

FIG. 1 is a perspective view as seen from above of a first embodiment of a trimmer head for use in flexible line rotary trimmers showing my new design, with a line inlet/outlet eyelet in a side of the housing and a trimmer drive shaft receiving aperture in the upper end of the housing being illustrated in broken lines;

FIG. 2 is a perspective view thereof as seen from below of the first embodiment thereof, with spool gripping recesses in a lower spool surface, locking apertures in a lower housing surface and a line inlet/outlet eyelet in a side of the housing being illustrated in broken lines;

FIG. 3 is a top plan view of the first embodiment thereof;

FIG. 4 is a front view of the first embodiment thereof;

FIG. 5 is a side view of the first embodiment thereof as seen from the left side of FIG. 3;

FIG. 6 is a side view of the first embodiment thereof as seen from the right side of FIG. 3;

FIG. 7 is a rear view of the first embodiment thereof;

FIG. 8 is a bottom plan view of the first embodiment thereof;

FIG. 9 is a perspective view as seen from above of a second embodiment thereof, with a line inlet/outlet eyelet in the side of the housing and a trimmer drive shaft receiving aperture in the upper end of the housing being illustrated in broken lines;

FIG. 10 is a perspective view as seen from below of the second embodiment thereof, with a line inlet/outlet eyelet in the side of the housing and locking apertures in the lower housing surface being illustrated in broken lines;

FIG. 11 is a top plan view of the second embodiment thereof;

FIG. 12 is a front view of the second embodiment thereof;

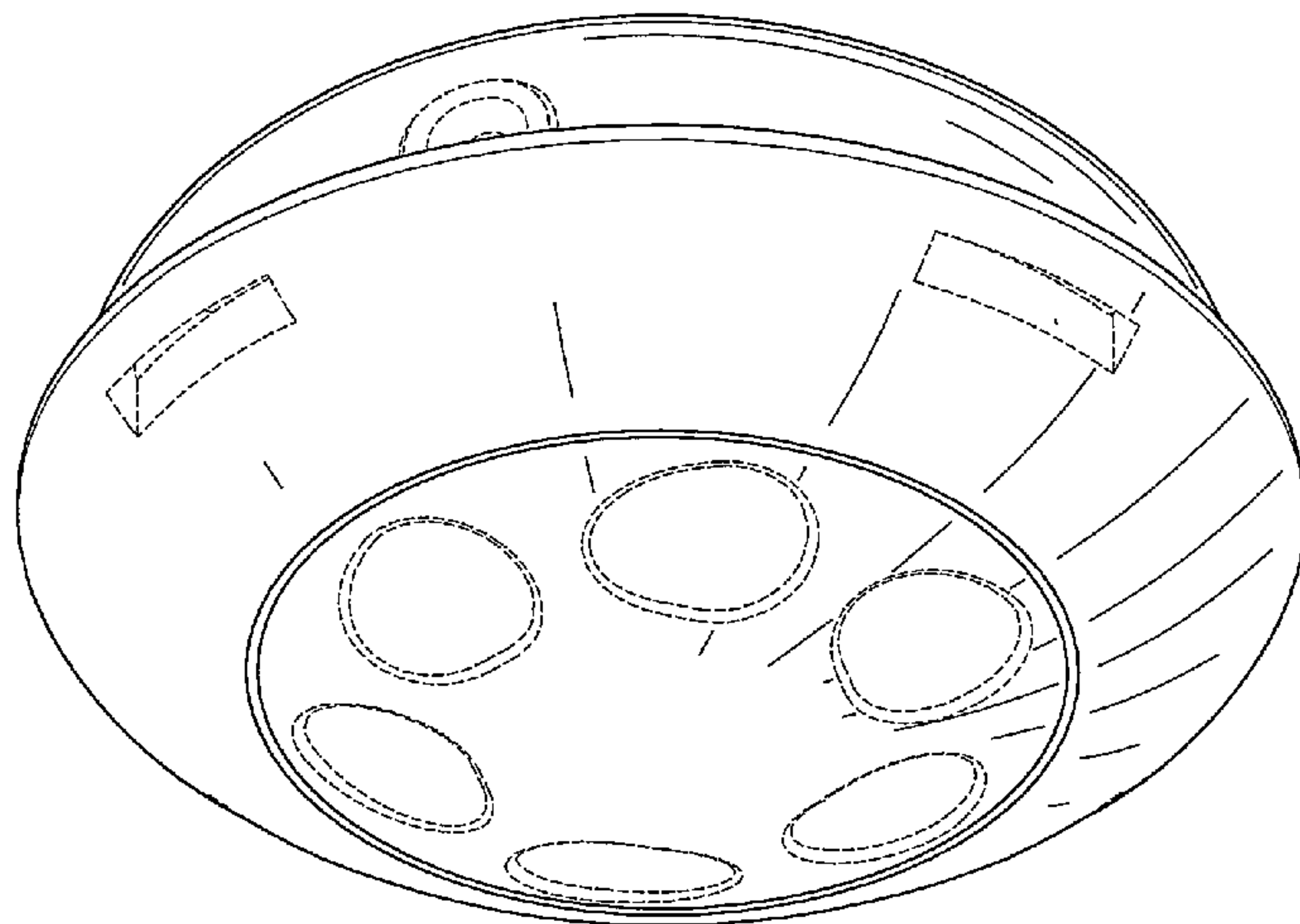
FIG. 13 is a side view of the second embodiment thereof as seen from the left side of FIG. 11;

FIG. 14 is a side view of the second embodiment thereof as seen from the right side of FIG. 11;

FIG. 15 is a rear view of the second embodiment thereof; and, FIG. 16 is a bottom plan view of the second embodiment thereof.

The broken line showing of the trimmer head is included for the purpose of illustrating portions of the article and forms no part of the claimed design.

1 Claim, 8 Drawing Sheets



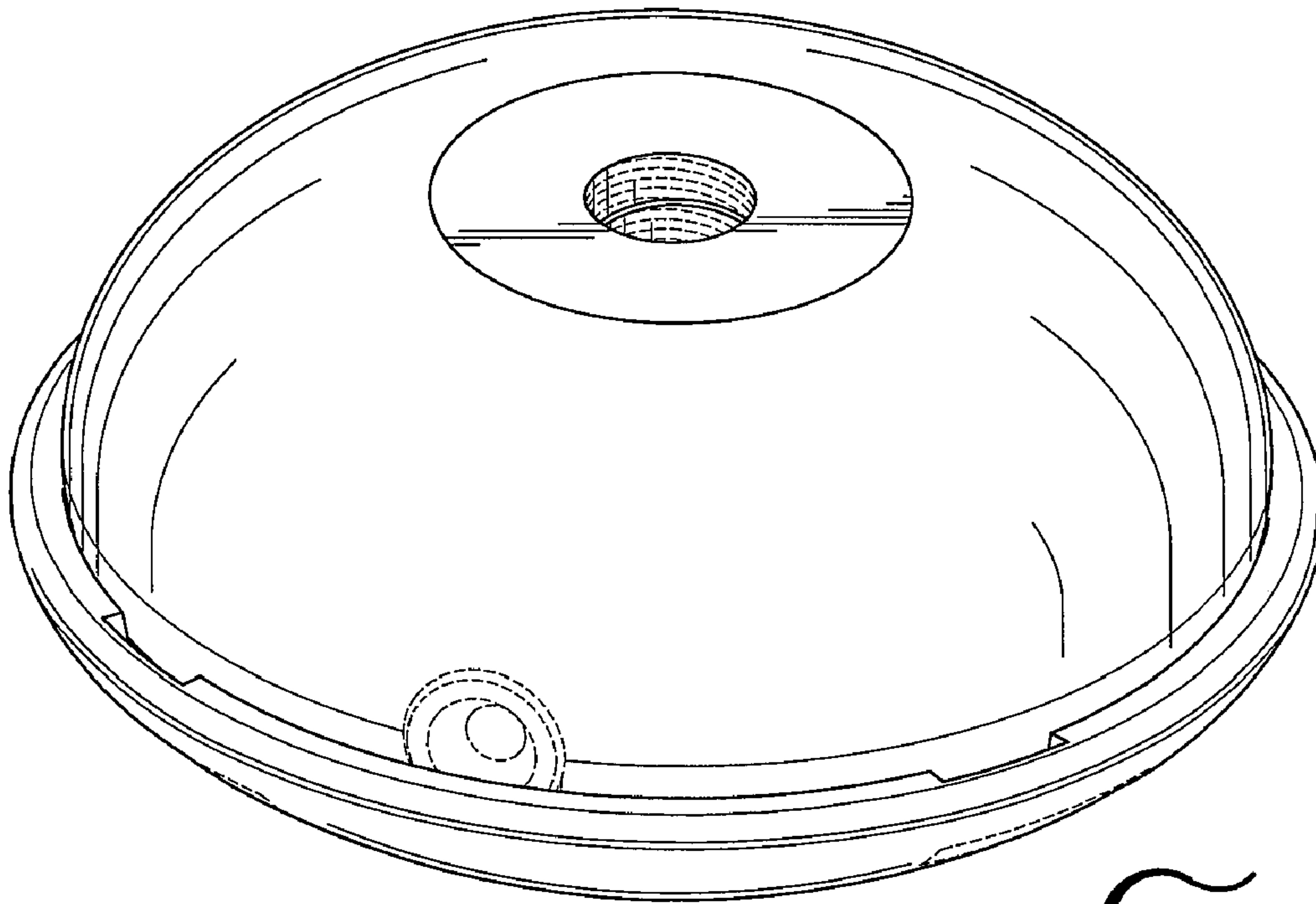


FIG. 1

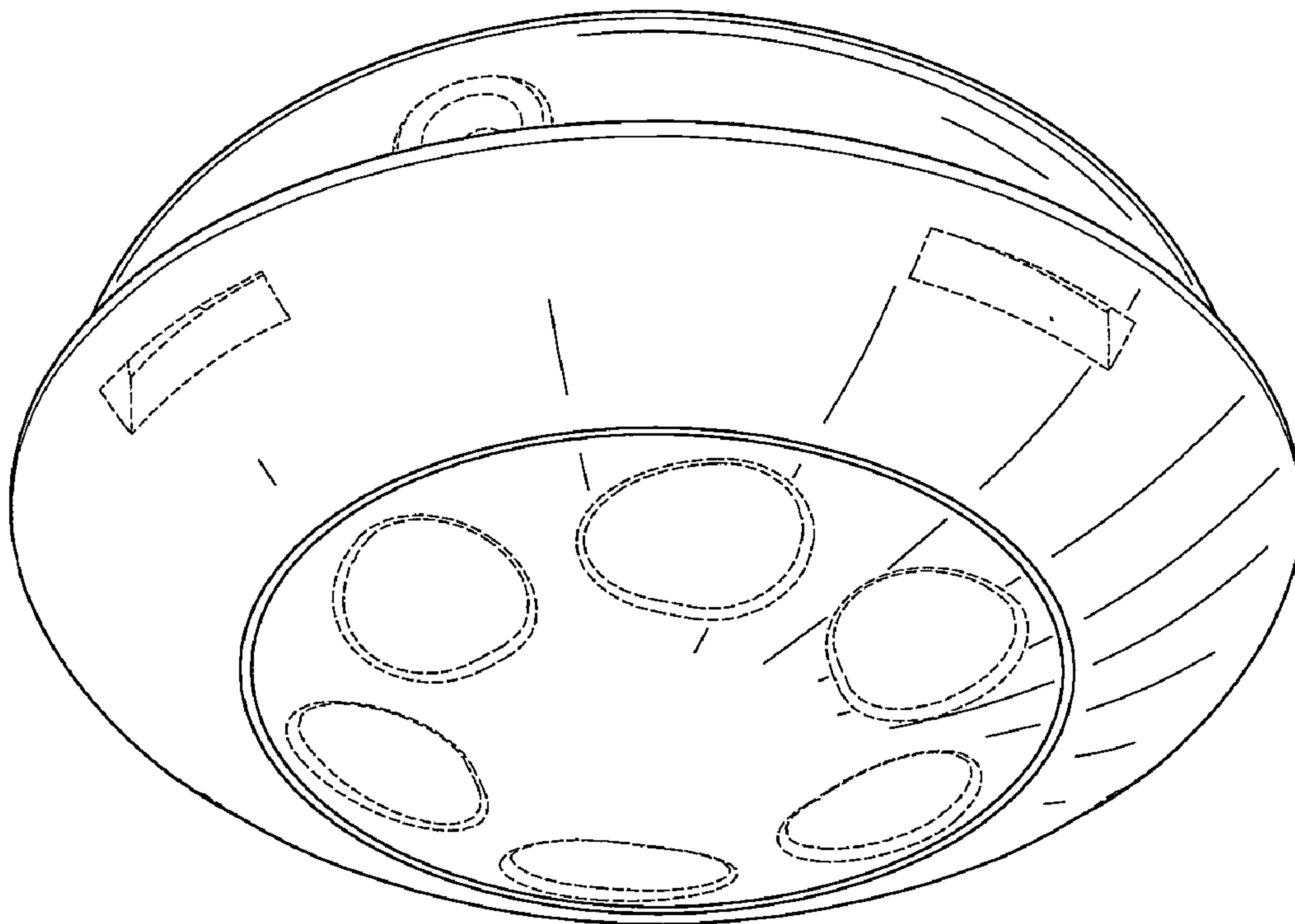


FIG. 2

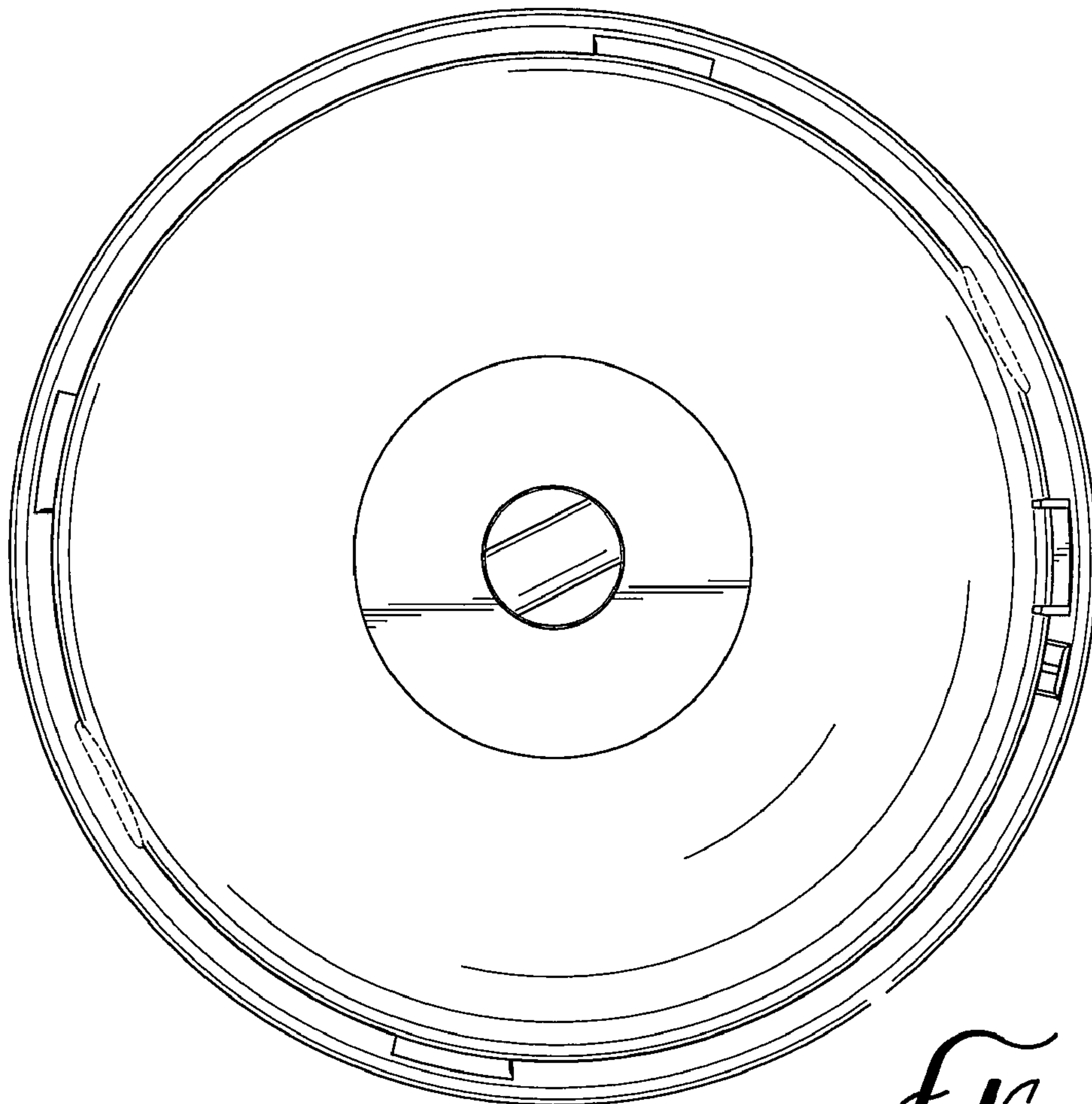


FIG. 3

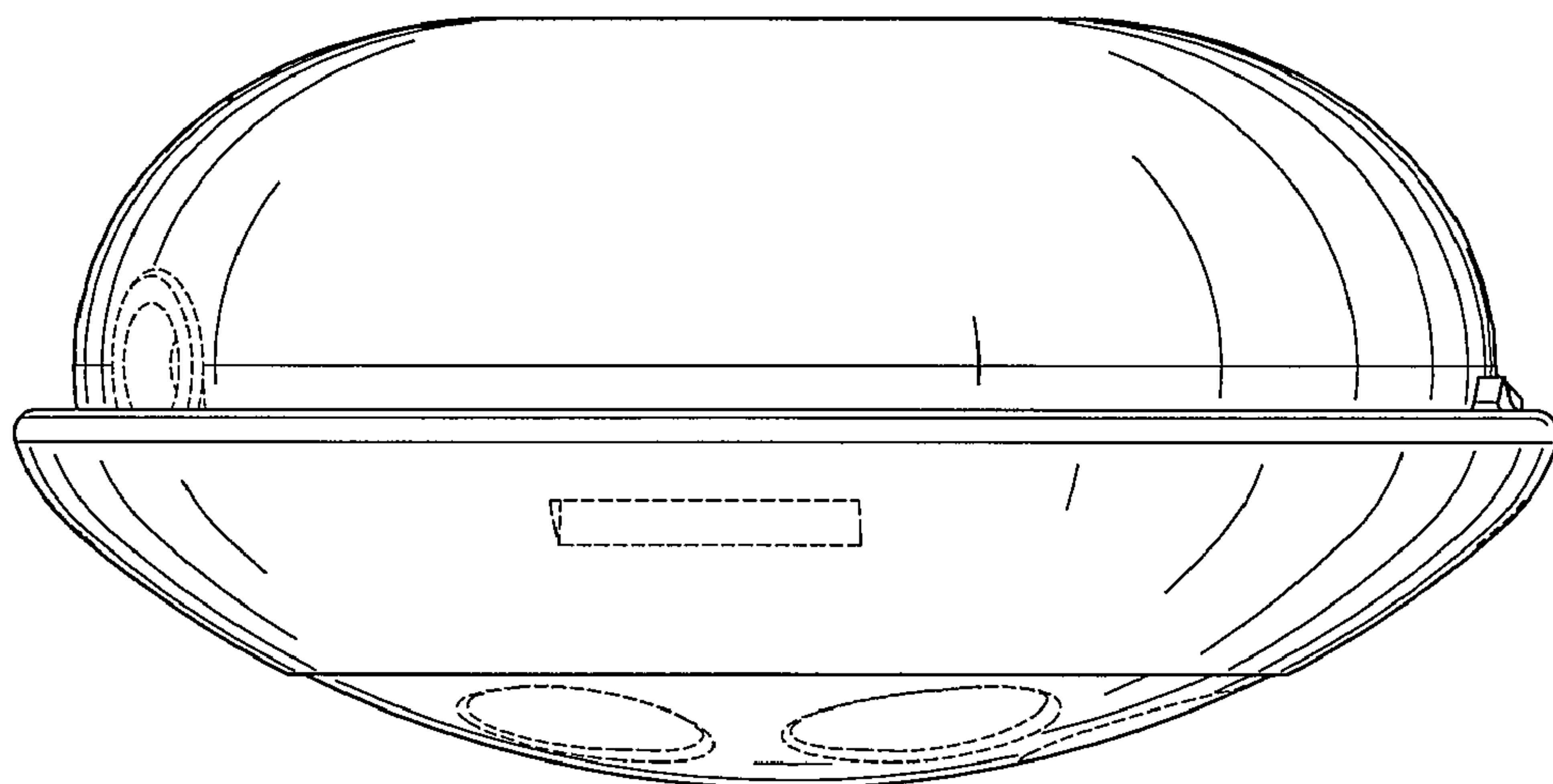


FIG. 4

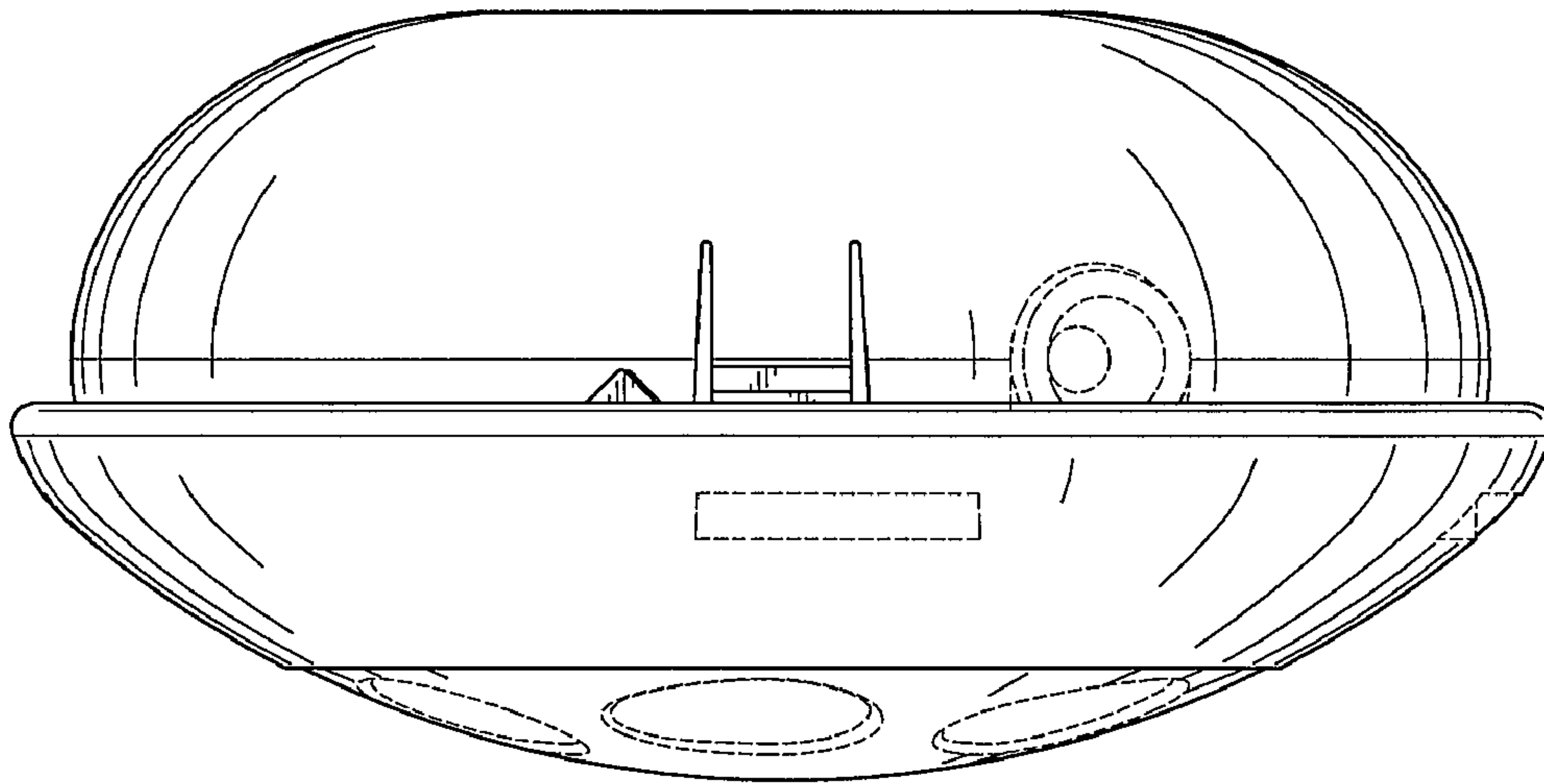


FIG. 5

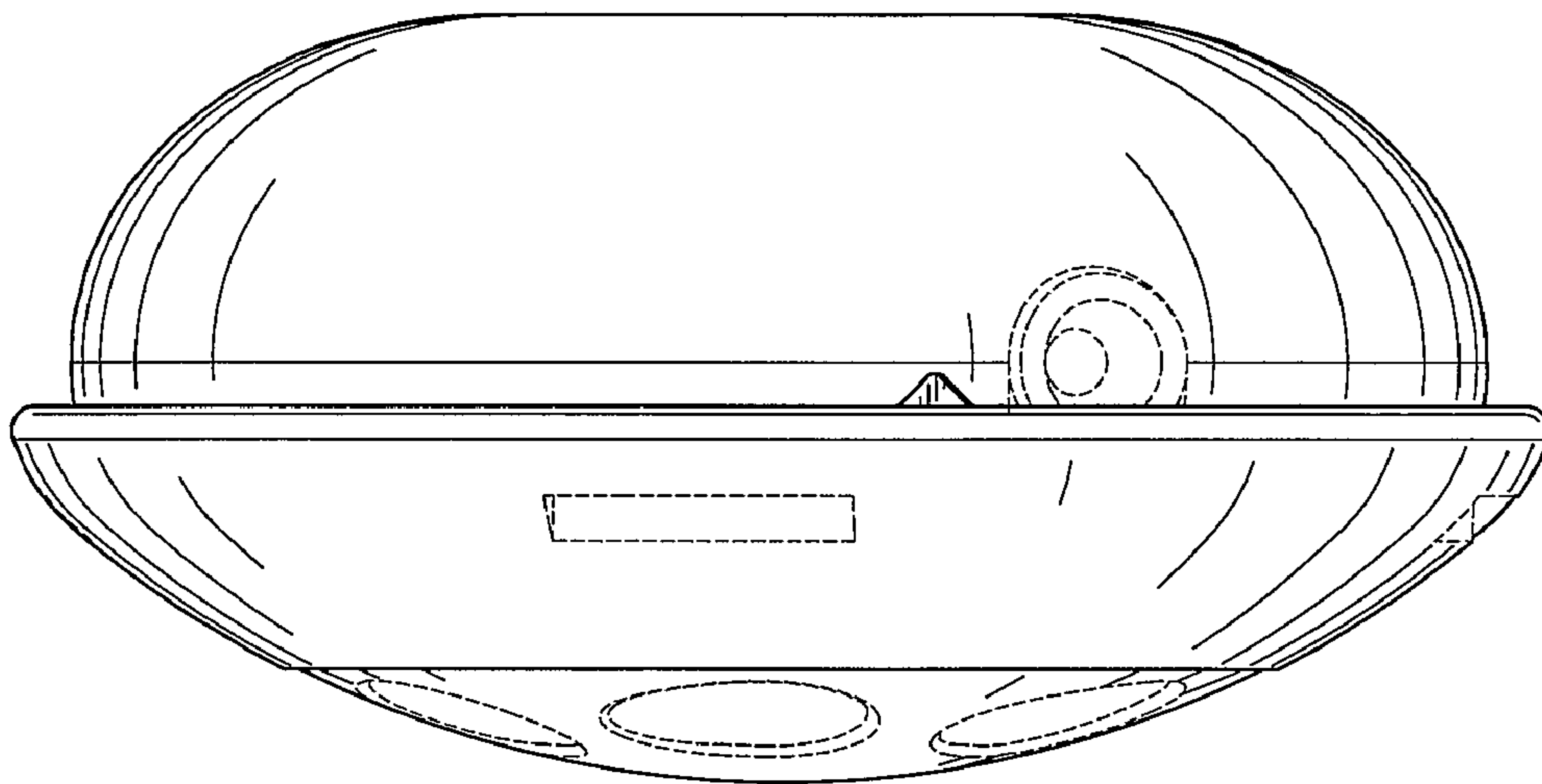


FIG. 6

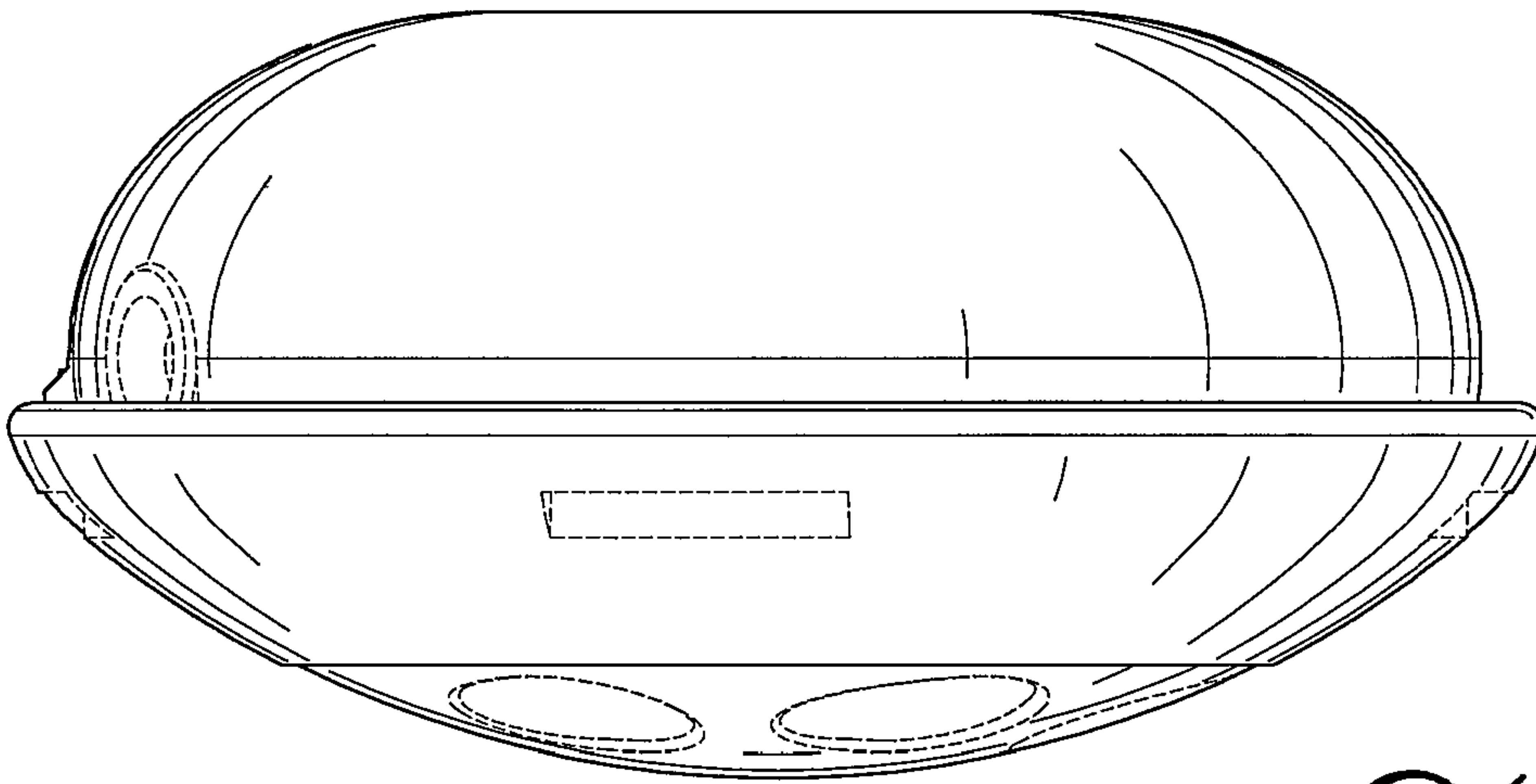


FIG. 7

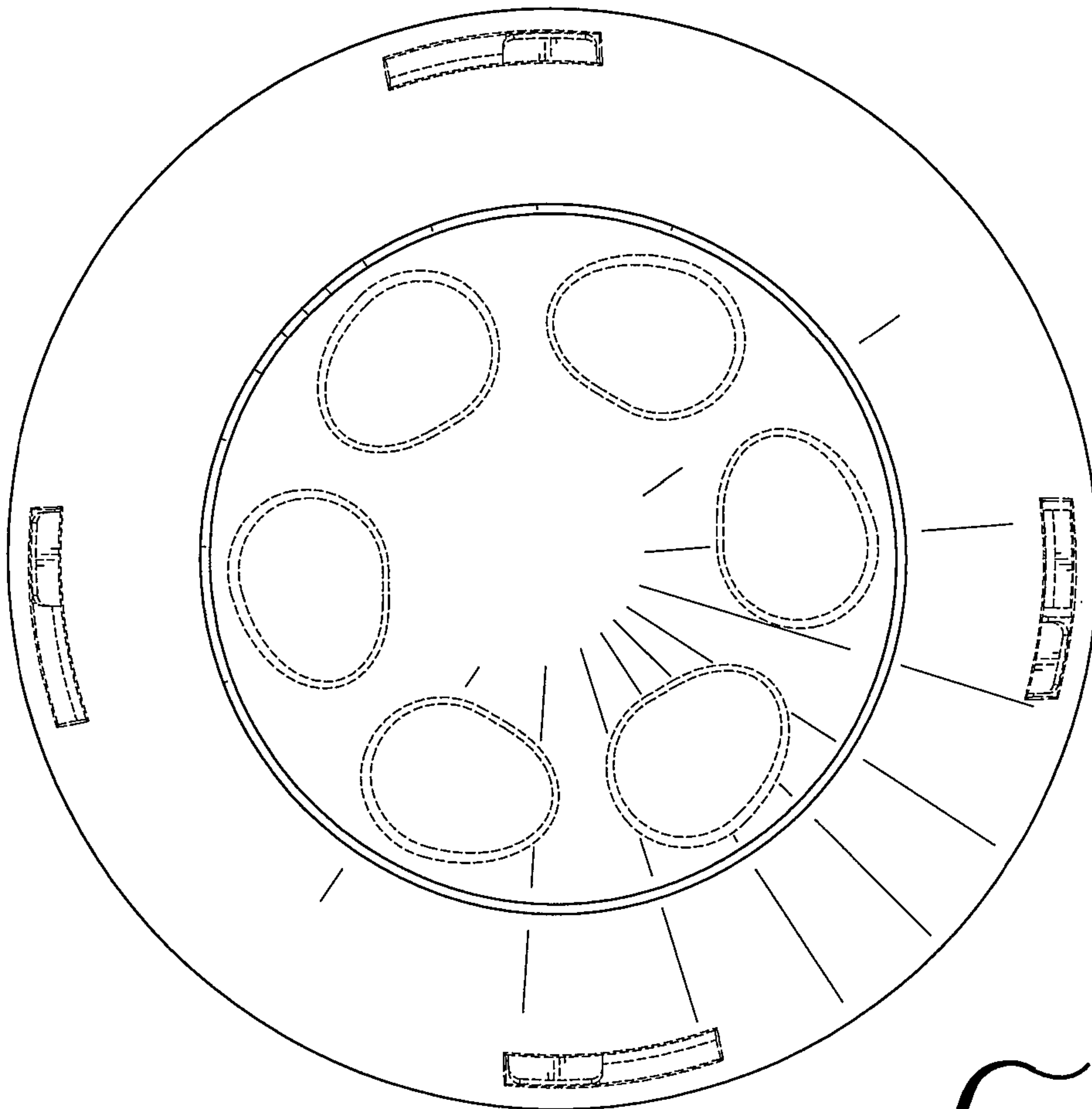


FIG. 8

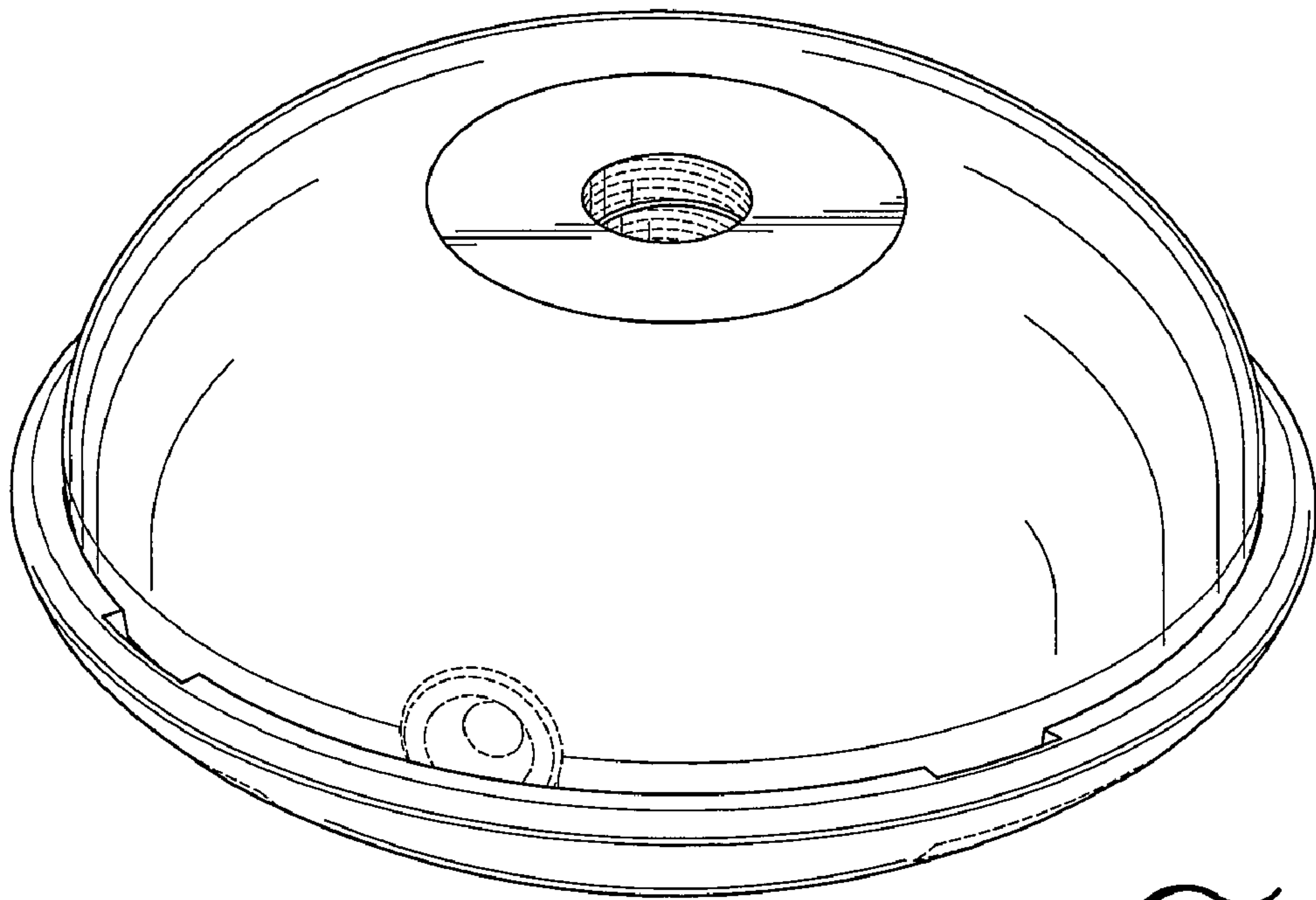


FIG. 9

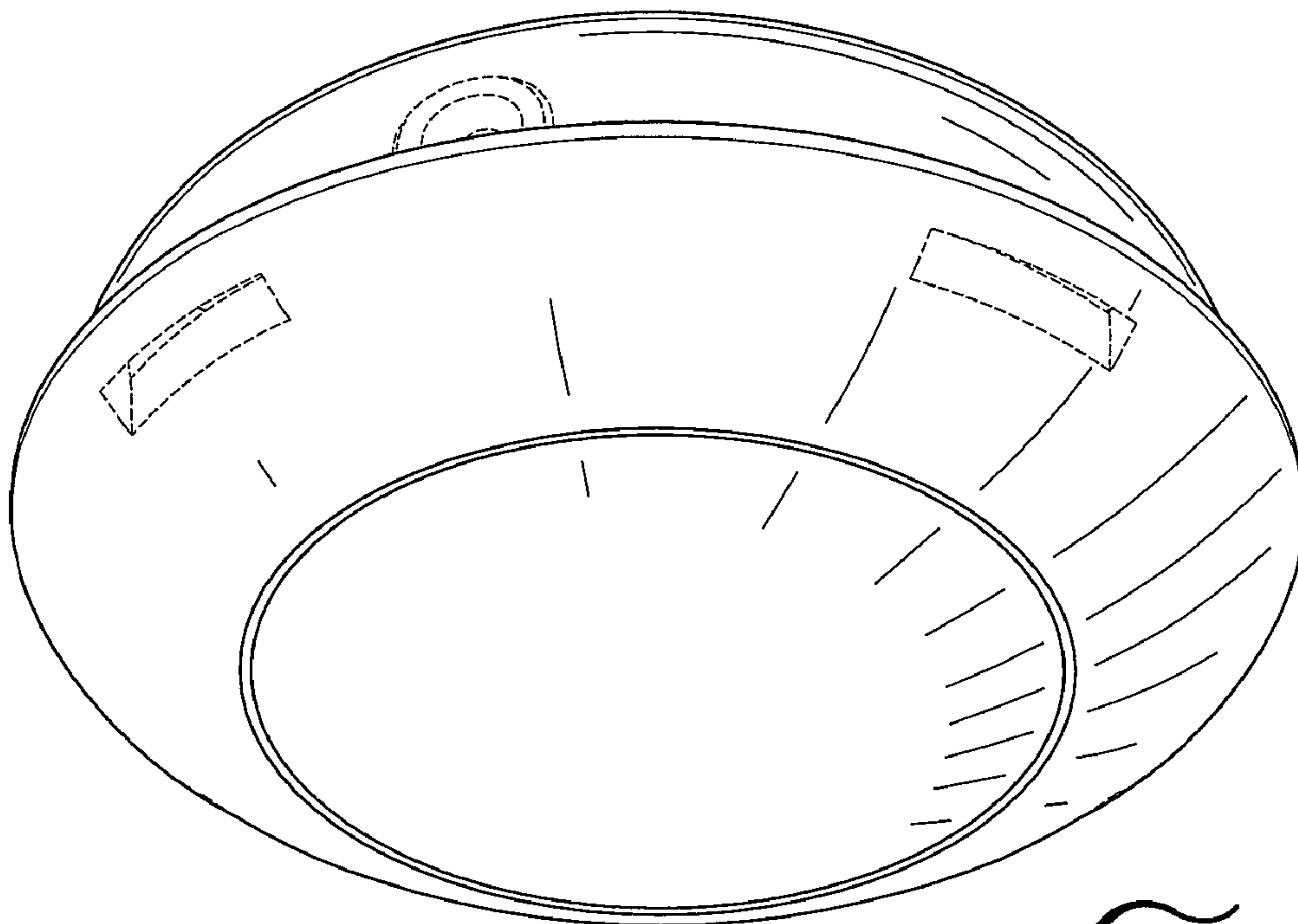


FIG. 10

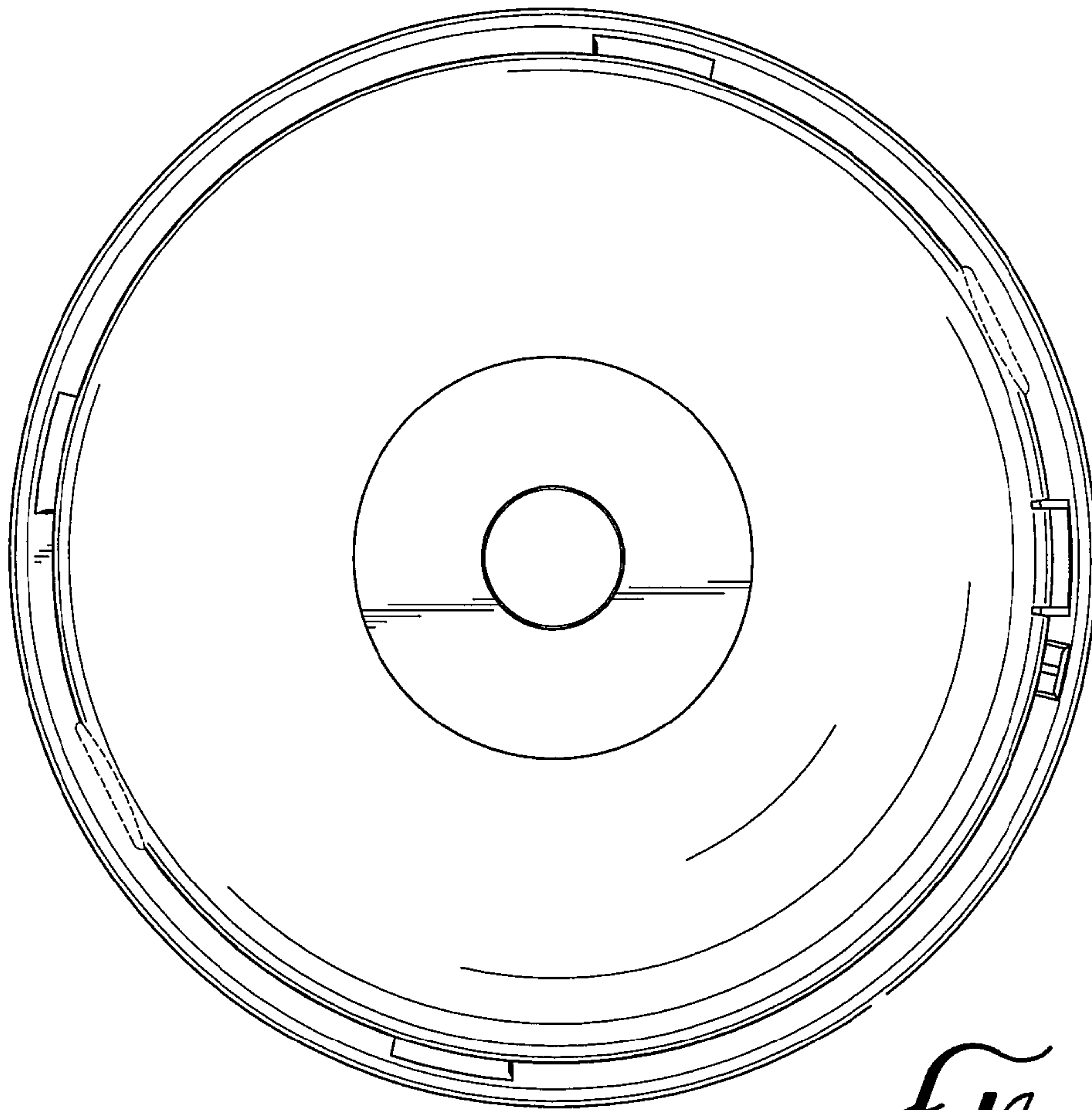


FIG. 11

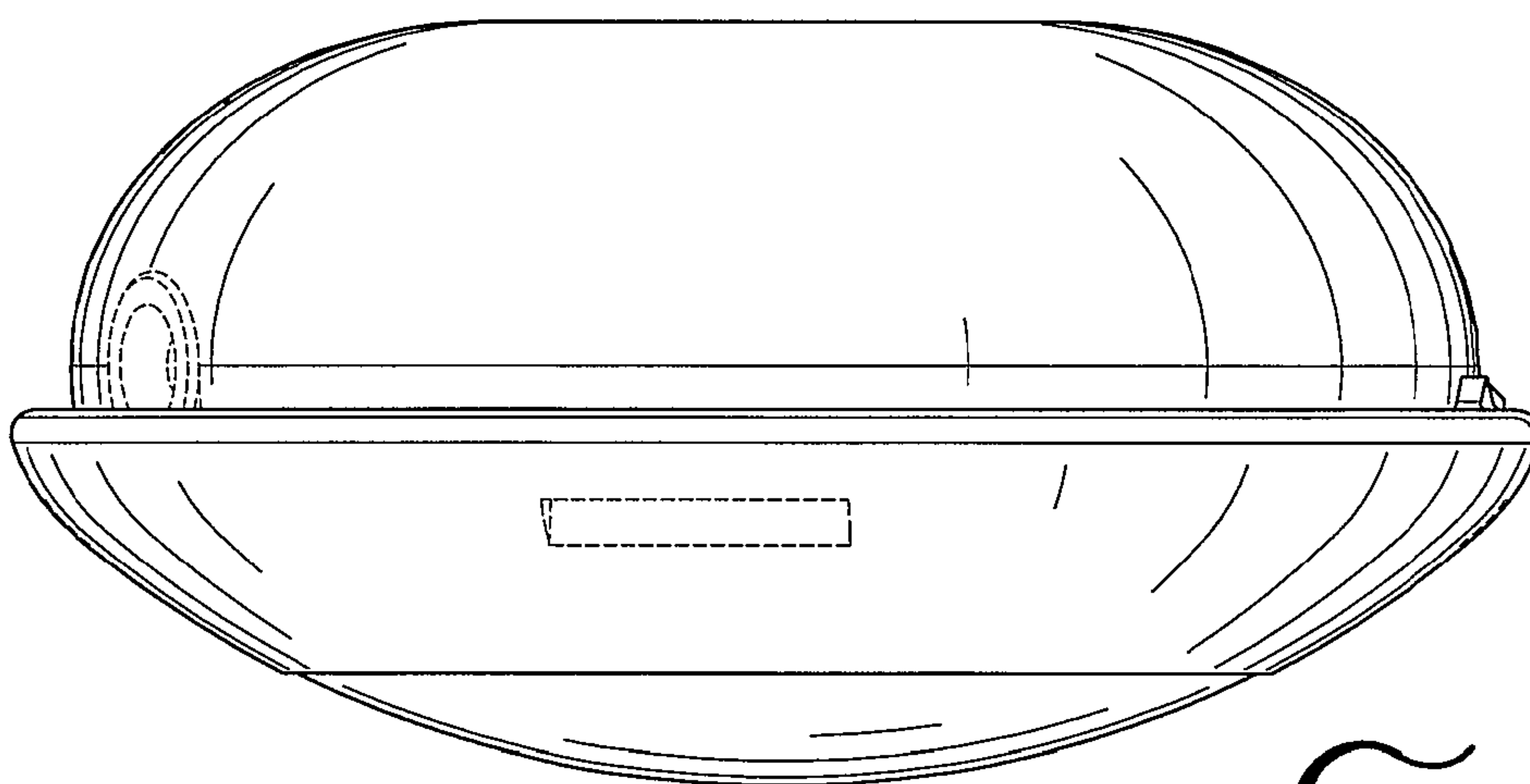


FIG. 12

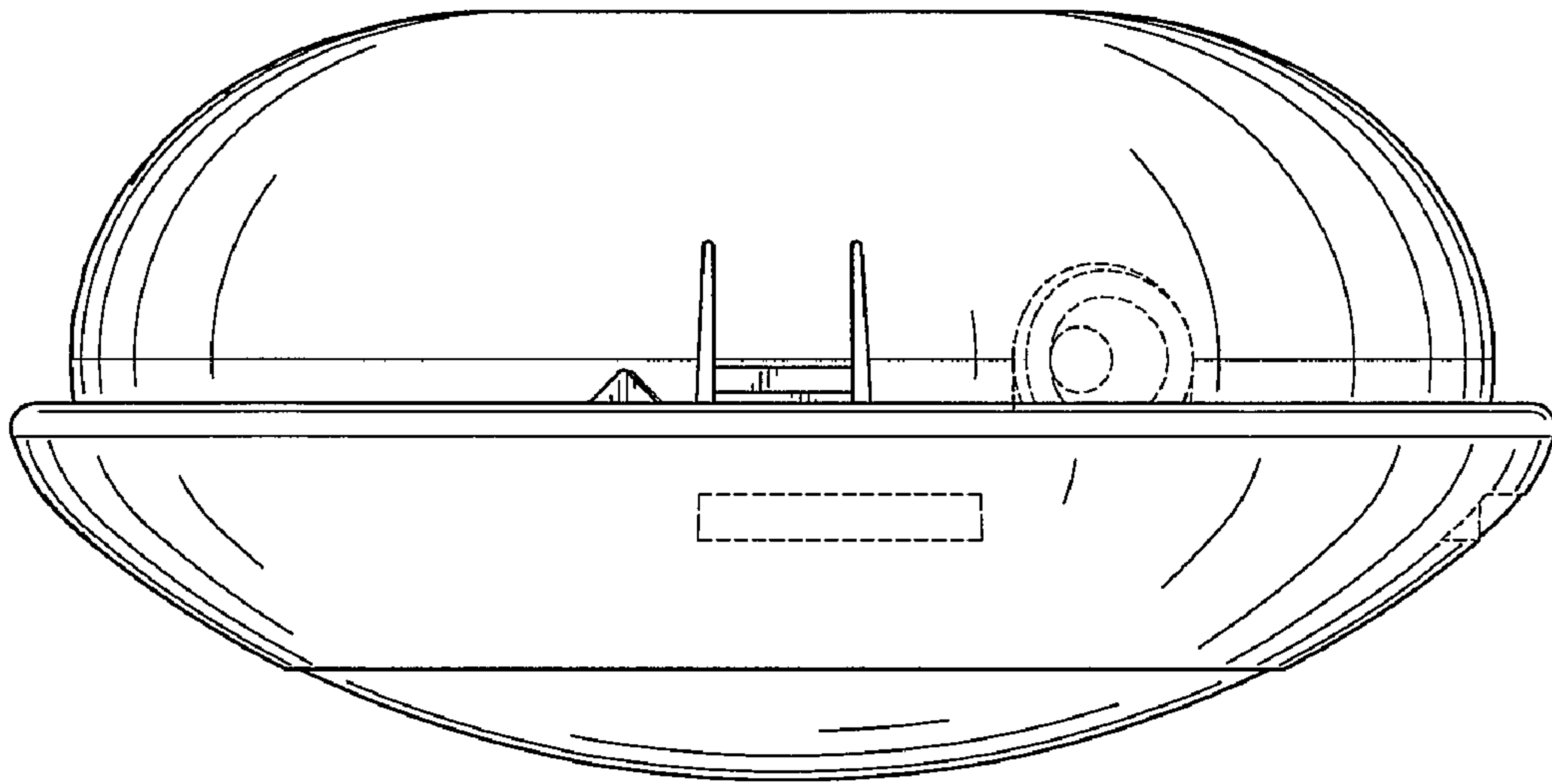


FIG. 13

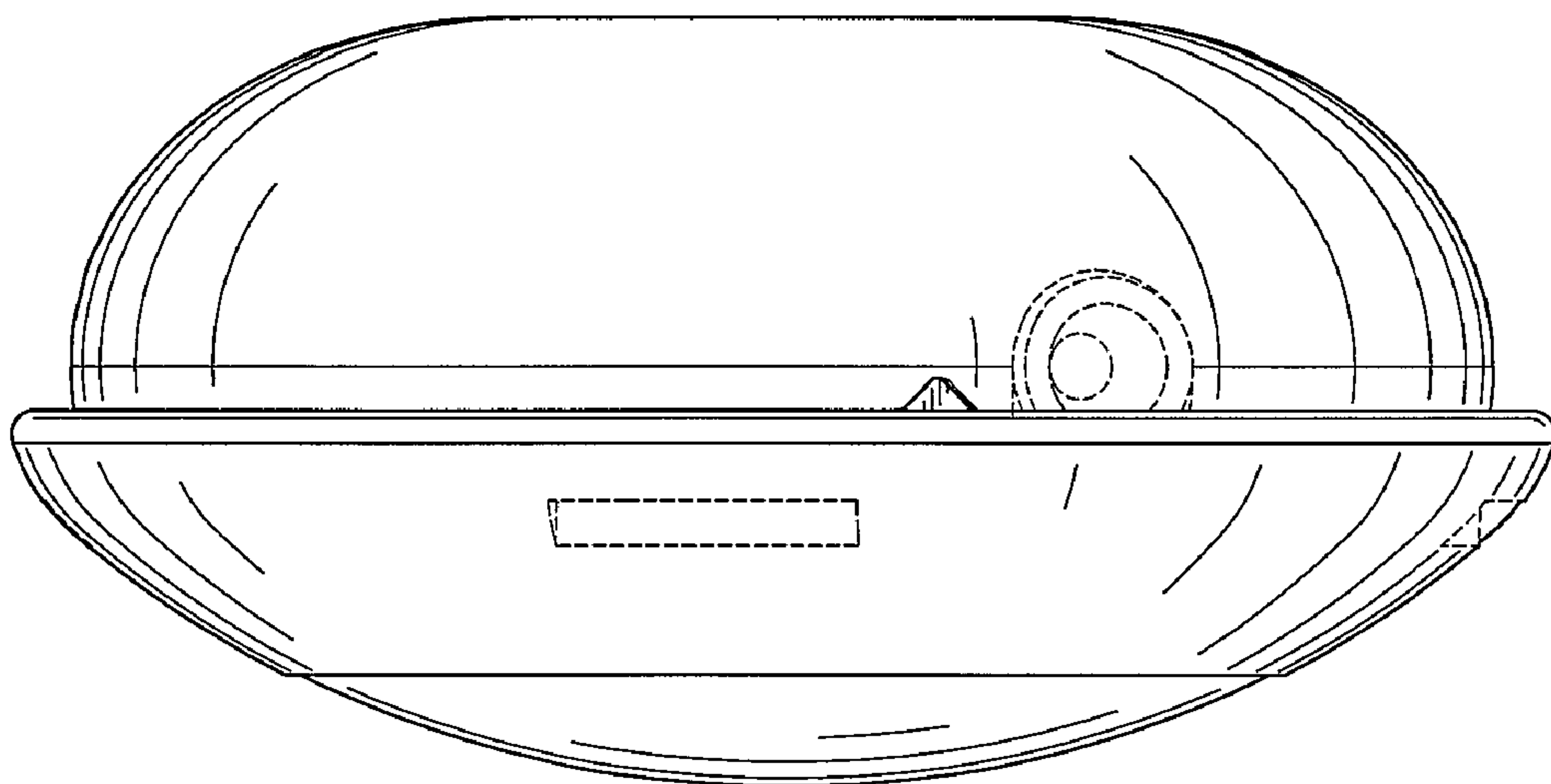


FIG. 14

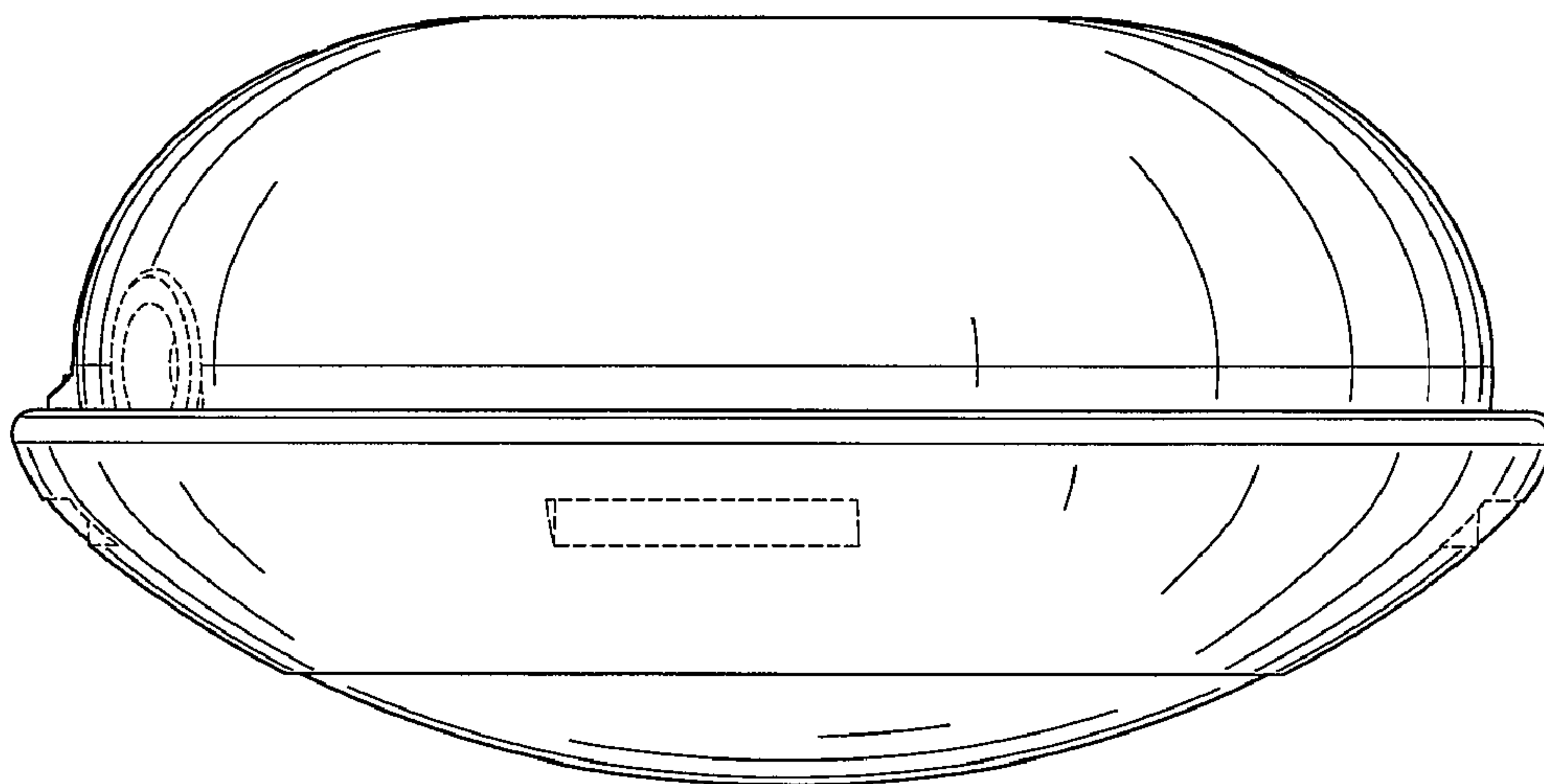


FIG. 15

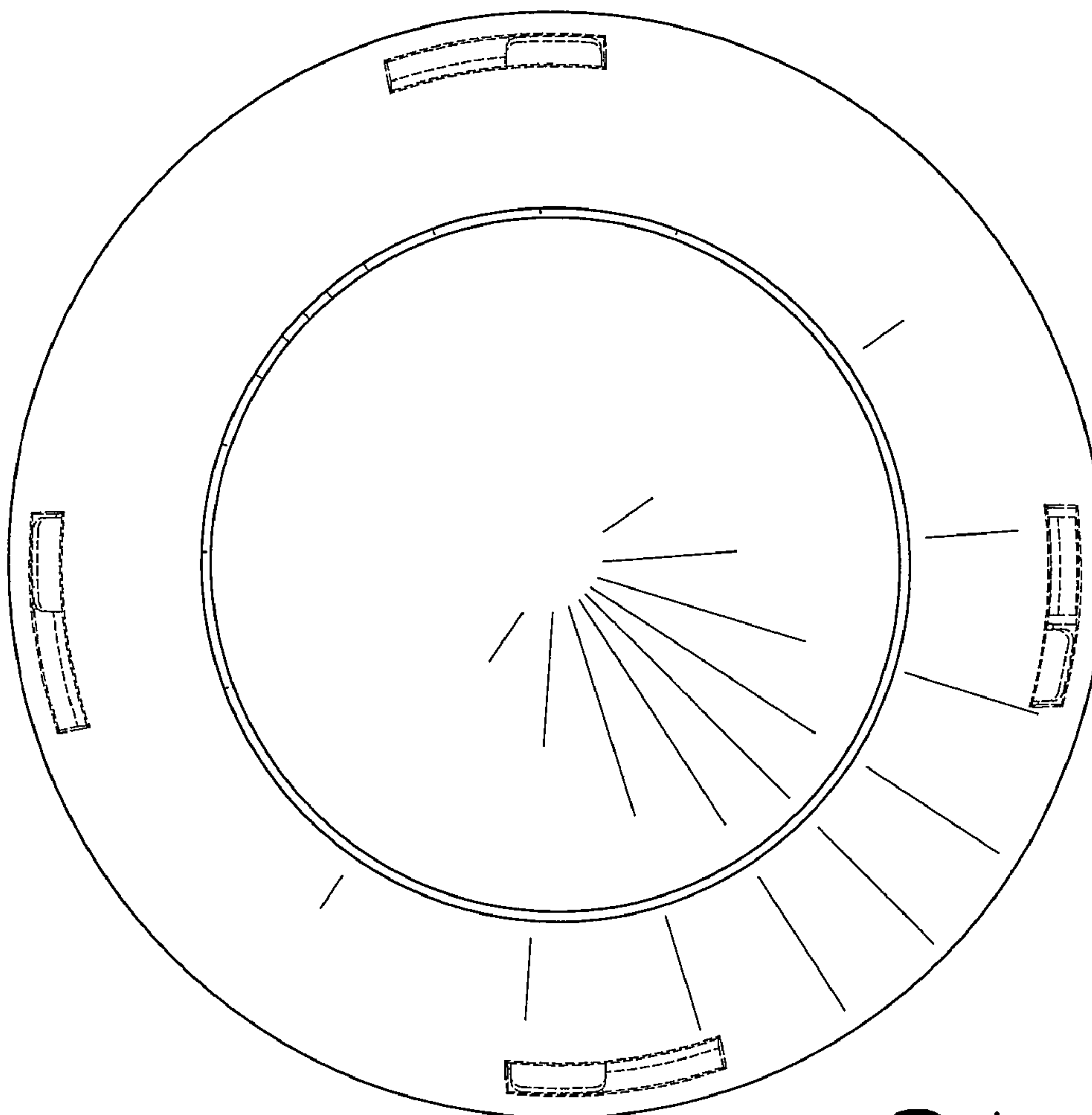


FIG. 16