



US00D638678S

(12) **United States Design Patent**
Proulx

(10) **Patent No.:** **US D638,678 S**

(45) **Date of Patent:** **** May 31, 2011**

(54) **TRIMMER HEAD FOR USE IN FLEXIBLE LINE ROTARY TRIMMERS**

(75) Inventor: **Richard A. Proulx**, Alta Loma, CA (US)

(73) Assignee: **Proulx Manufacturing, Inc.**, Rancho Cucamonga, CA (US)

(**) Term: **14 Years**

(21) Appl. No.: **29/379,870**

(22) Filed: **Nov. 24, 2010**

Related U.S. Application Data

(62) Division of application No. 29/350,231, filed on Nov. 12, 2009, now Pat. No. Des. 630,068.

(51) **LOC (9) Cl.** **08-01**

(52) **U.S. Cl.** **D8/8**

(58) **Field of Classification Search** D8/8, 9;
56/12.7, 295; 30/276

See application file for complete search history.

(56) **References Cited**

U.S. PATENT DOCUMENTS

D482,941	S *	12/2003	Nystrom	D8/8
D502,368	S *	3/2005	Nystrom et al.	D8/8
D584,581	S *	1/2009	Bradford	D8/8
D598,254	S *	8/2009	Alliss	D8/8
D598,255	S *	8/2009	Alliss	D8/8
7,762,002	B2 *	7/2010	Proulx	30/276
7,797,839	B2 *	9/2010	Proulx	30/276
D630,068	S *	1/2011	Proulx	D8/8

* cited by examiner

Primary Examiner — Holly H Baynham

Assistant Examiner — Sheryl Lane

(74) *Attorney, Agent, or Firm* — Holland & Knight LLP; Richard E. Lyon, Jr.

(57) **CLAIM**

The ornamental design for a trimmer head for use in flexible line rotary trimmers, as shown and described.

DESCRIPTION

FIG. 1 is a perspective view as seen from above of a trimmer head for use in flexible line rotary trimmers showing my new design, with a line inlet/outlet eyelet in a side of the housing and a trimmer drive shaft receiving aperture in the upper end of the housing being illustrated in broken lines;

FIG. 2 is a perspective view thereof as seen from below with locking apertures in a lower housing surface and a line inlet/outlet eyelet in a side of the housing being illustrated in broken lines;

FIG. 3 is a top plan view thereof;

FIG. 4 is a front view thereof;

FIG. 5 is a side view thereof as seen from the left side of FIG. 3;

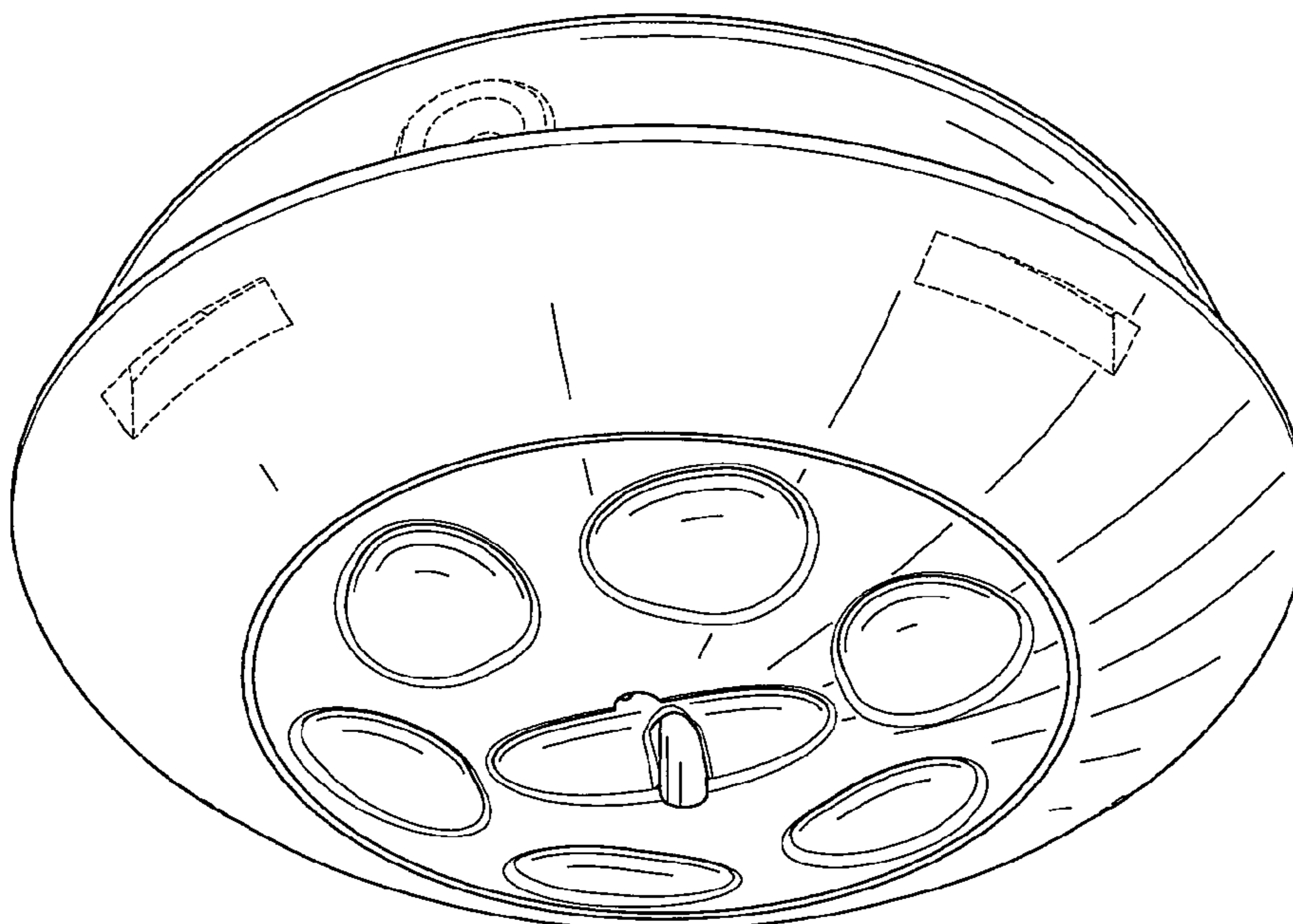
FIG. 6 is a side view thereof as seen from the right side of FIG. 3;

FIG. 7 is a rear view thereof; and,

FIG. 8 is a bottom plan view thereof.

The broken line showing of the trimmer head is included for the purpose of illustrating portions of the article and forms no part of the claimed design.

1 Claim, 4 Drawing Sheets



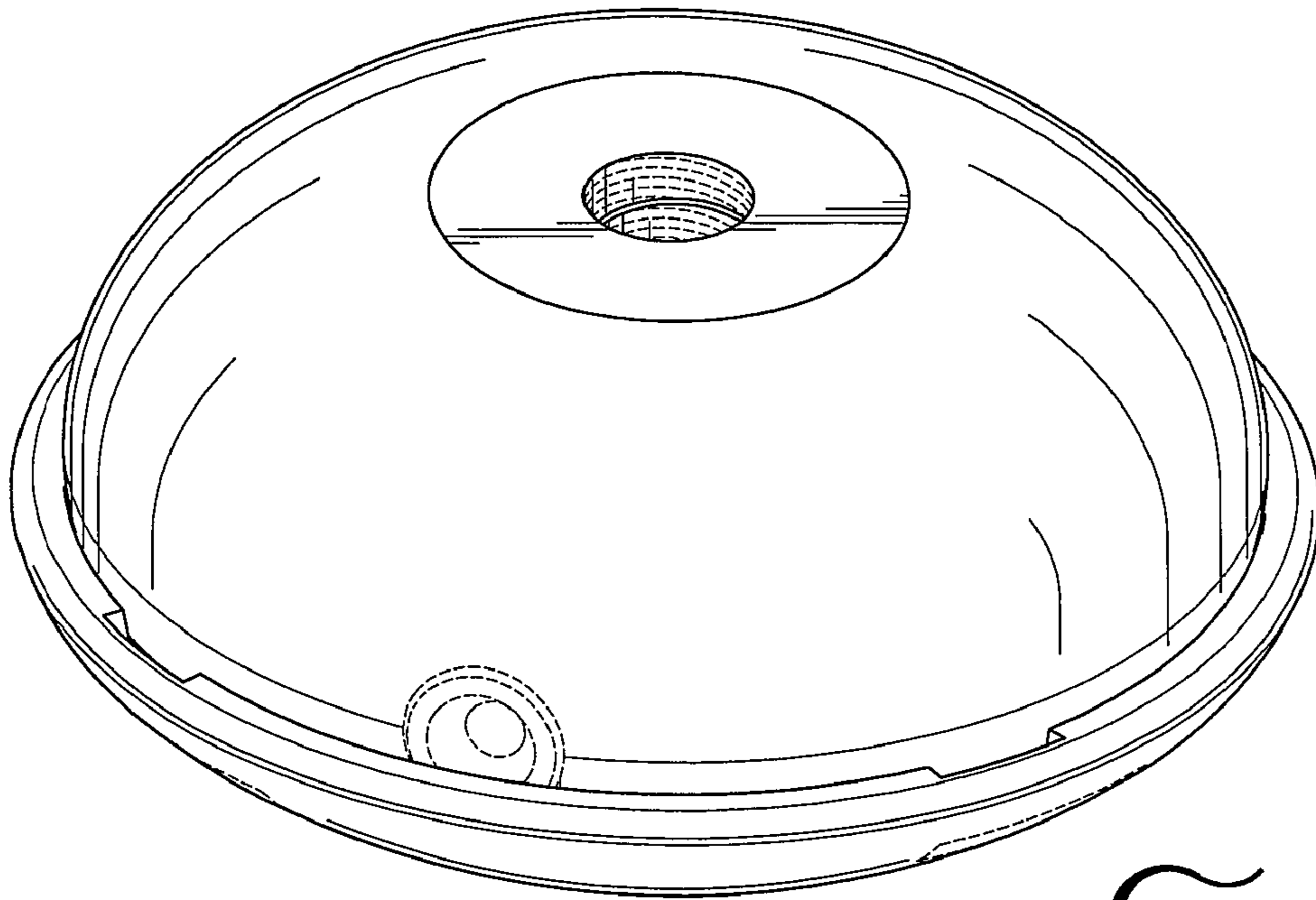


FIG. 1

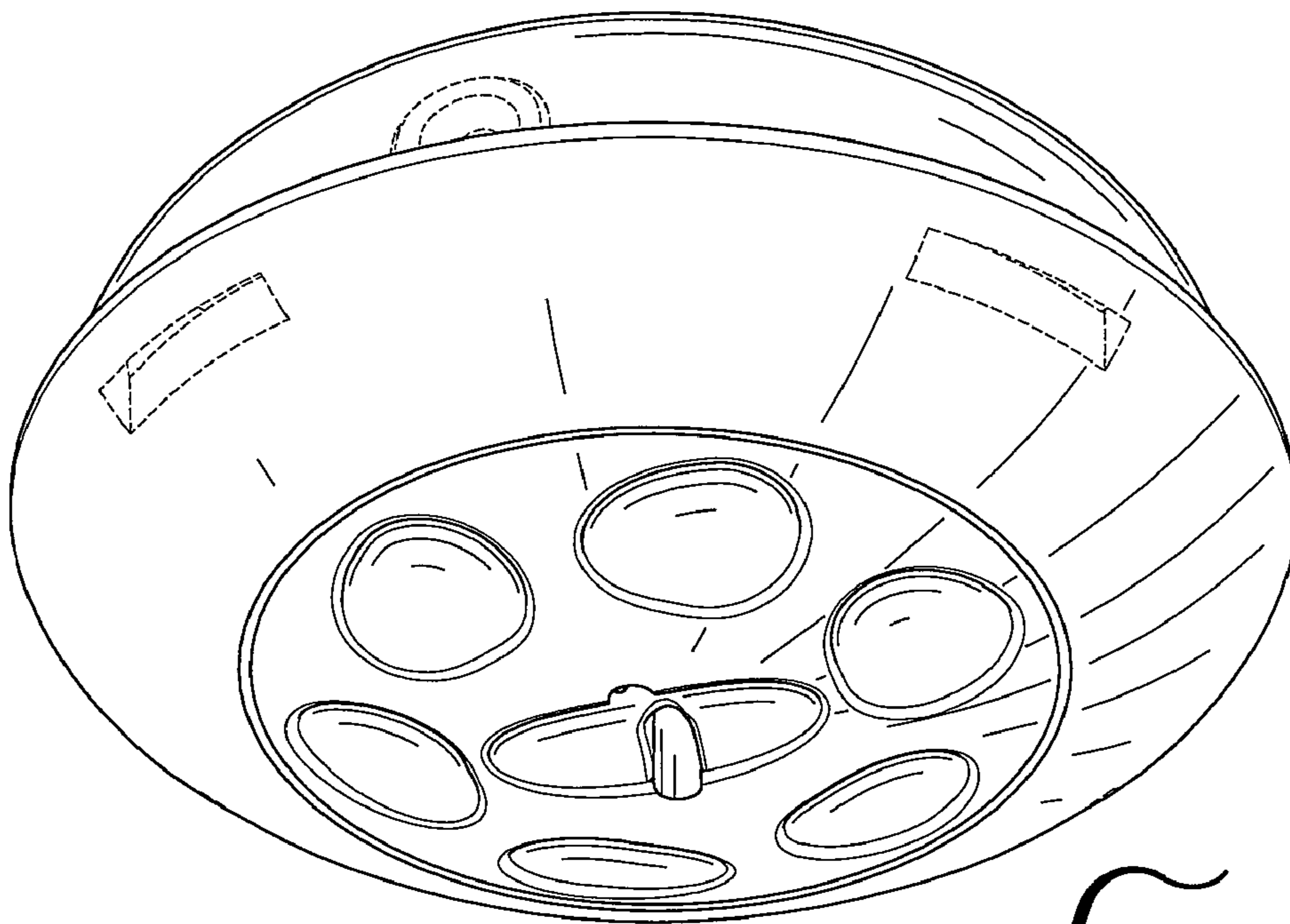


FIG. 2

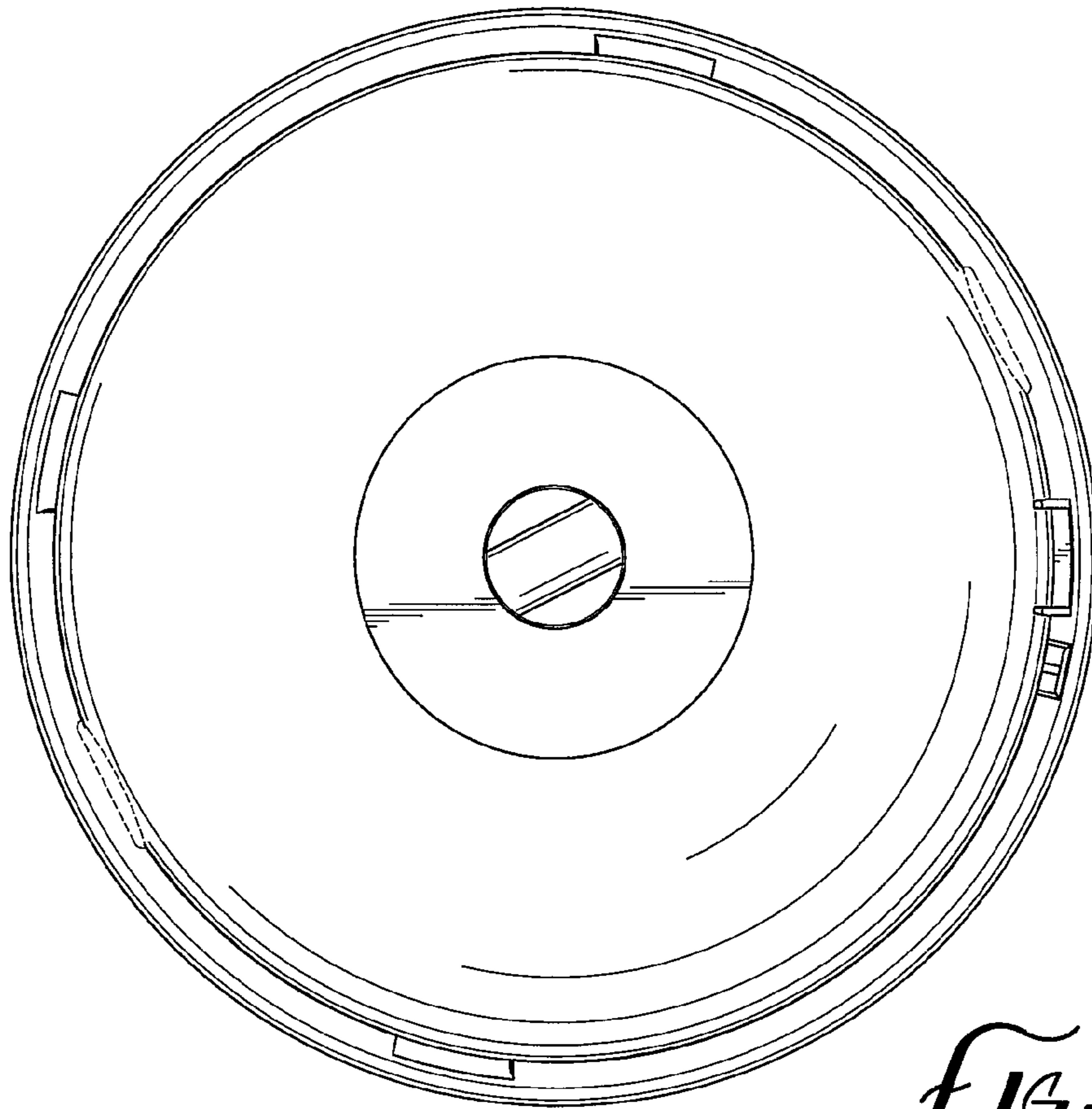


FIG. 3

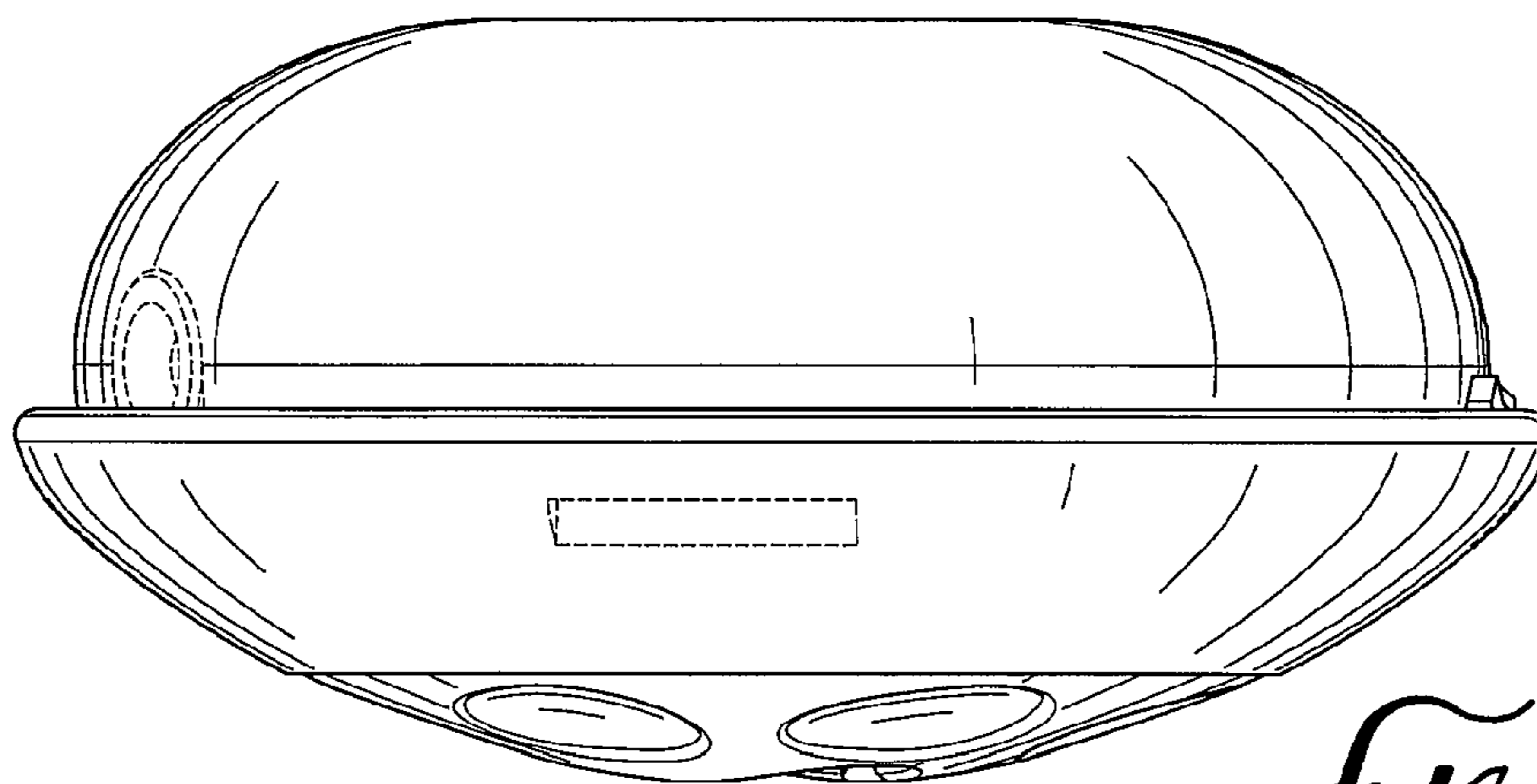


FIG. 4

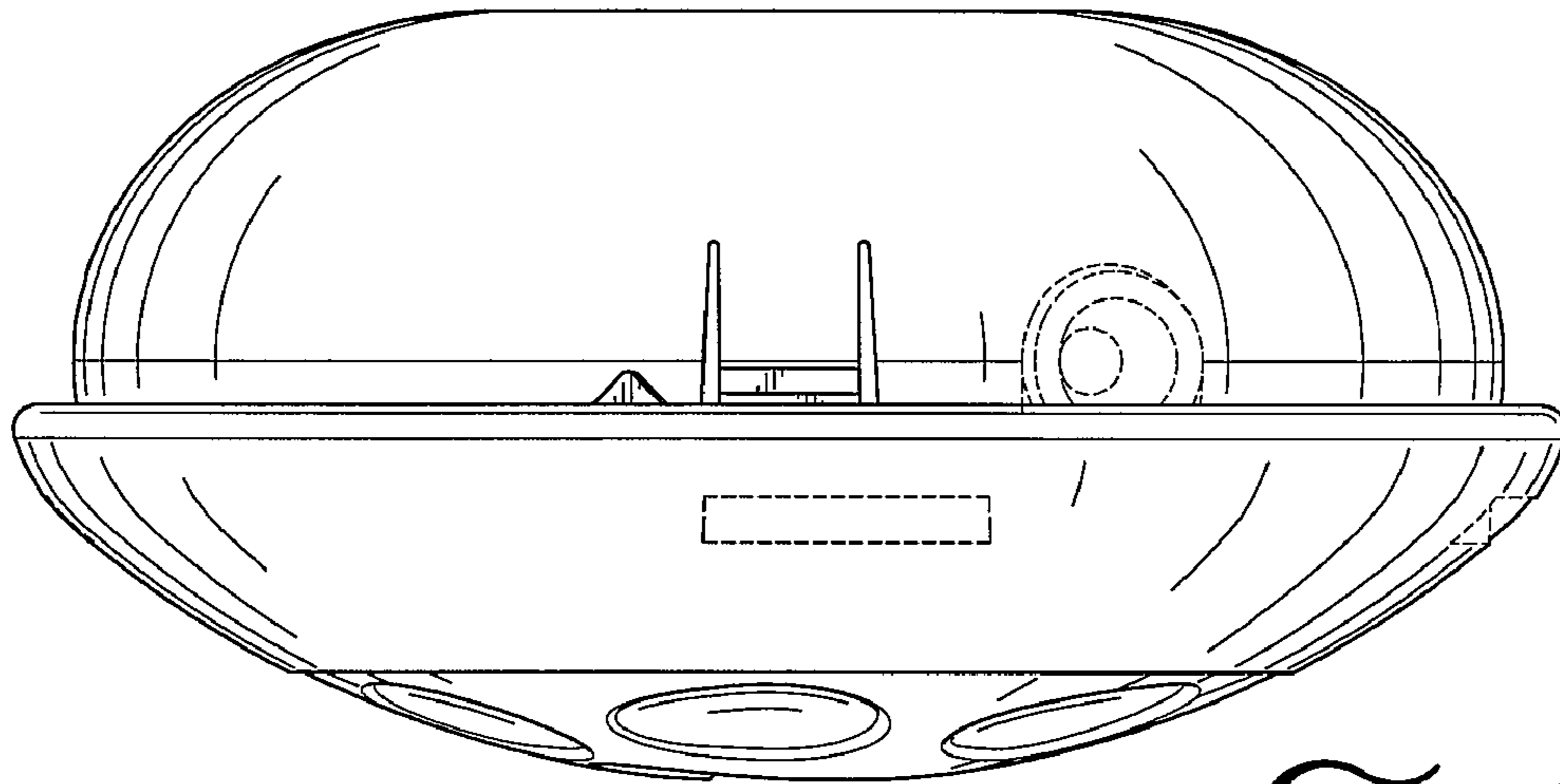


FIG. 5

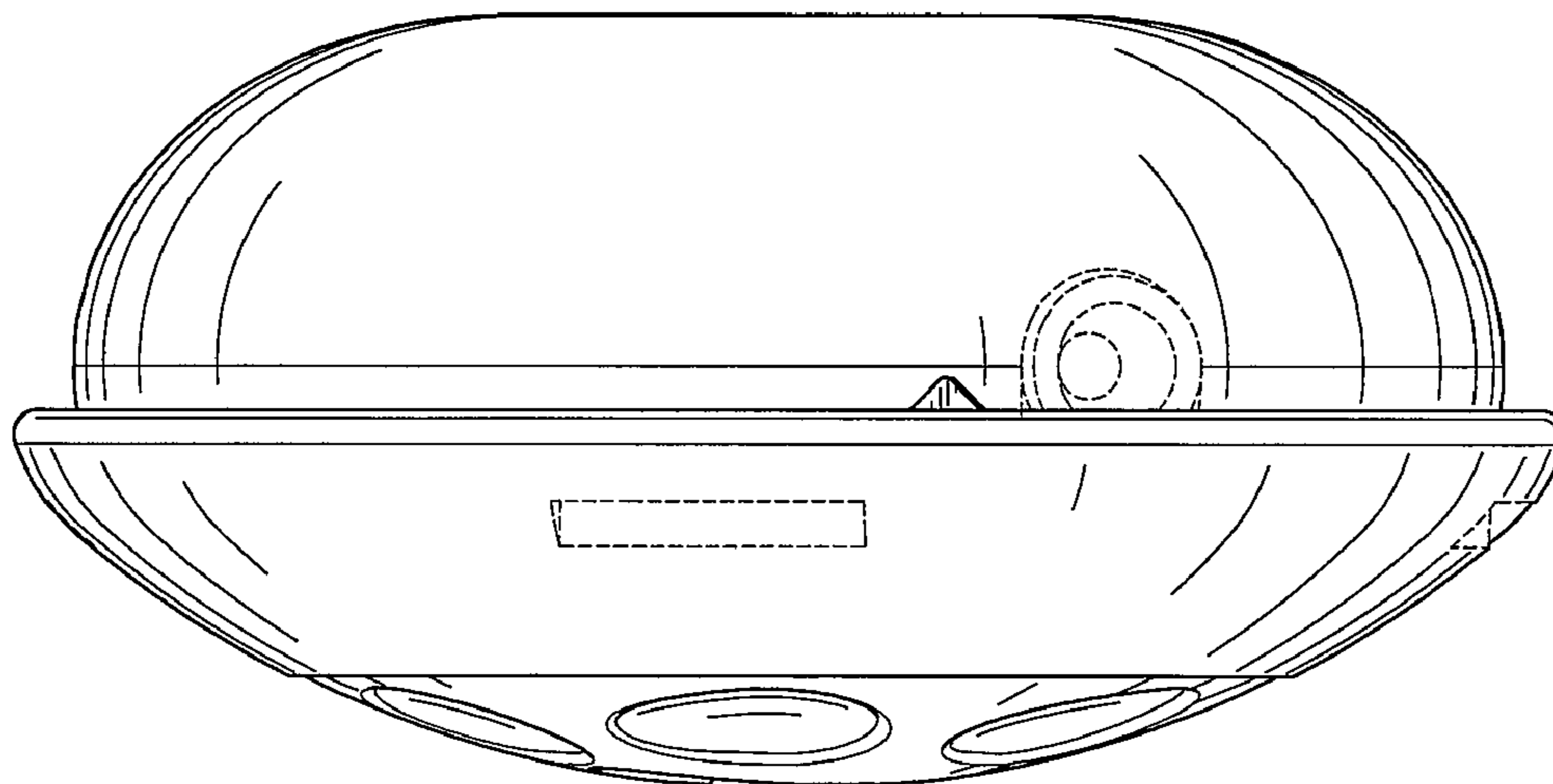


FIG. 6

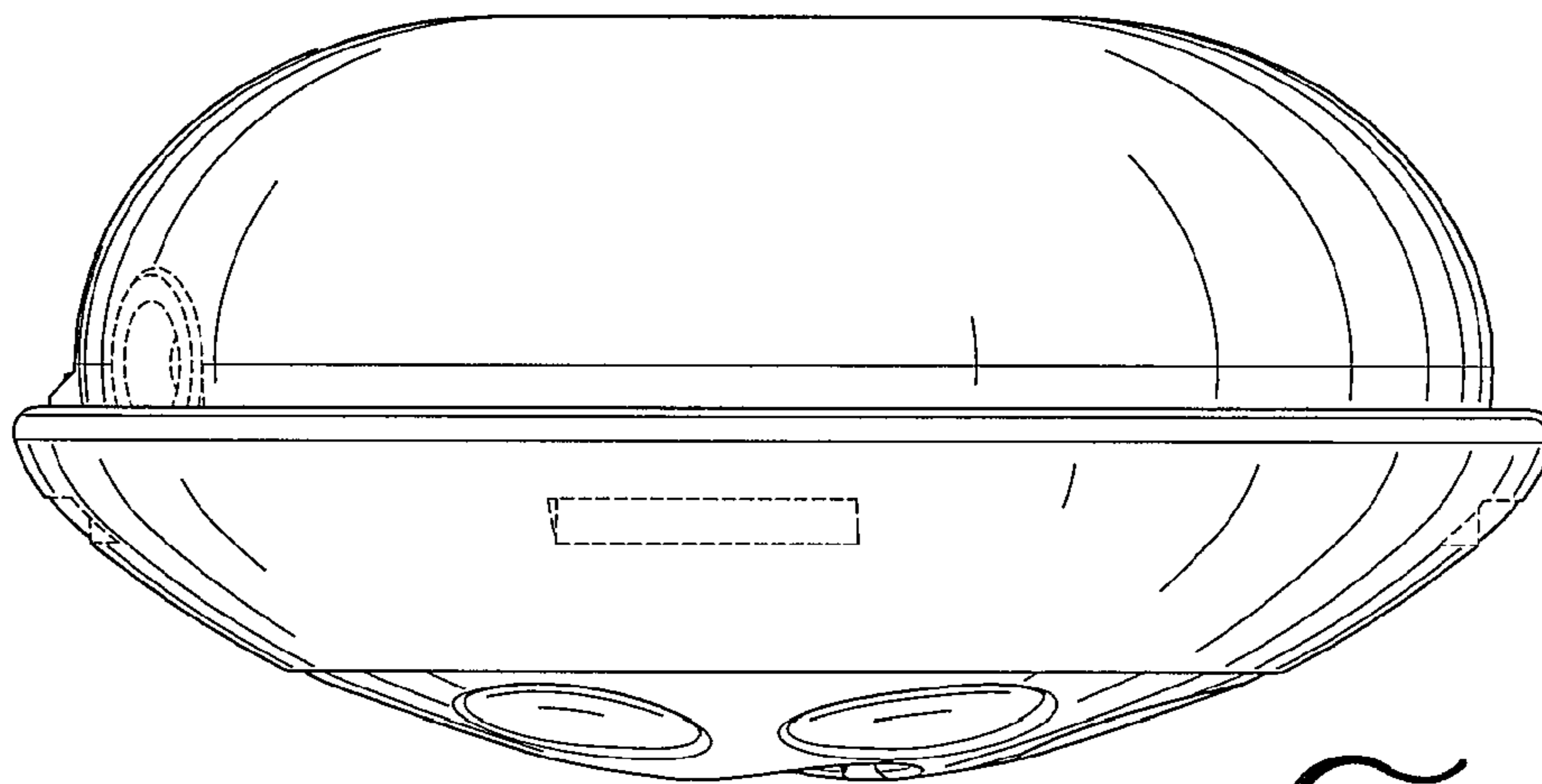


FIG. 7

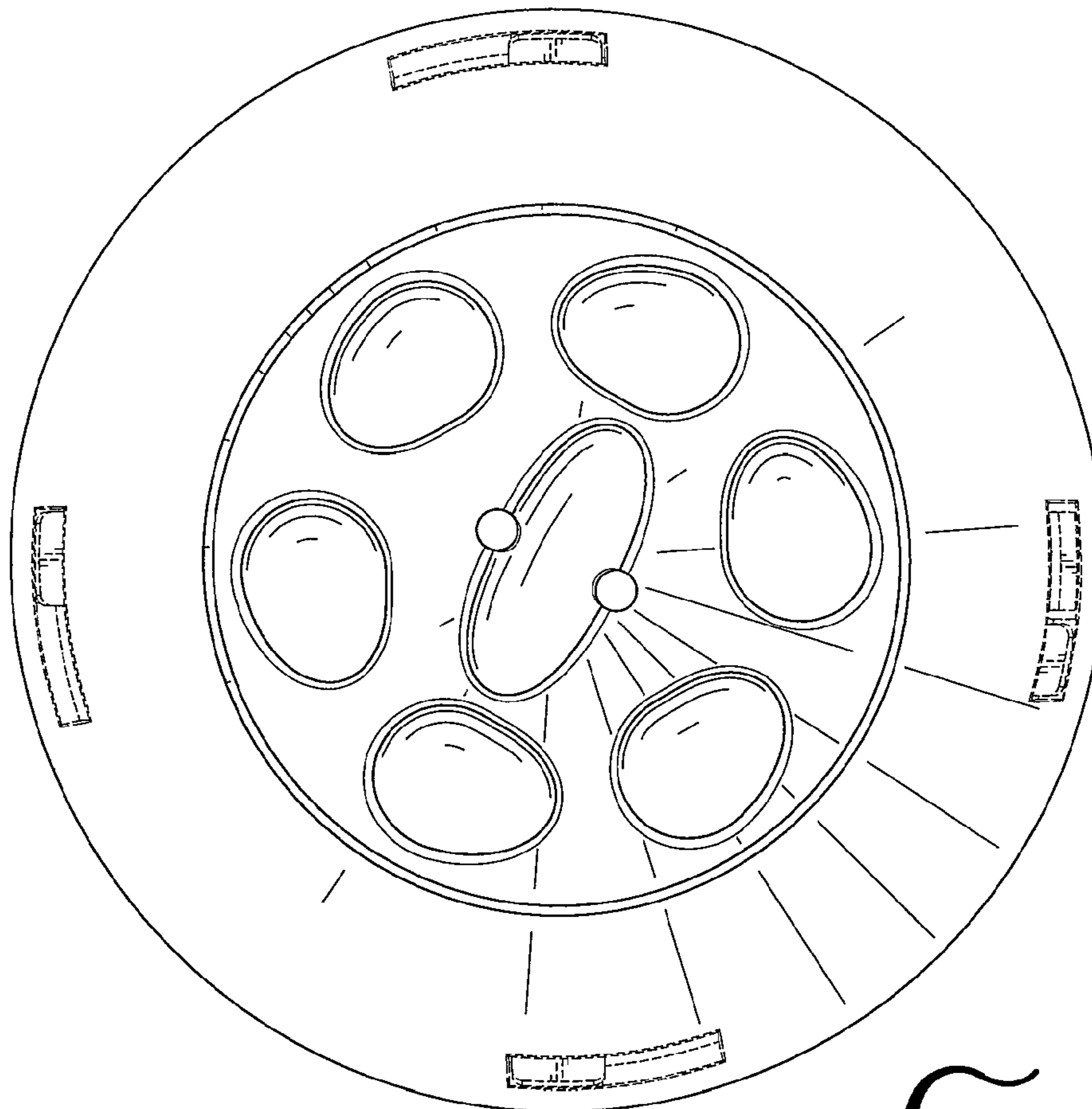


FIG. 8