



US00D638671S

(12) **United States Design Patent**
Goodman et al.

(10) **Patent No.:** **US D638,671 S**

(45) **Date of Patent:** **** May 31, 2011**

(54) **STACKABLE WINE RACK**

(75) Inventors: **Sheldon H. Goodman**, Solon, OH (US);
Omer I. Sazir, Cleveland, OH (US)

(73) Assignee: **Spectrum Diversified Designs, Inc.**,
Streetsboro, OH (US)

(**) Term: **14 Years**

(21) Appl. No.: **29/368,413**

(22) Filed: **Aug. 24, 2010**

(51) **LOC (9) Cl.** **06-04**

(52) **U.S. Cl.** **D7/704**

(58) **Field of Classification Search** D7/701-707,
D7/600.1-600.4; D6/449, 455, 477-479;
211/10, 13.1, 74, 85.31, 133.5, 181.1, 194
See application file for complete search history.

(56) **References Cited**

U.S. PATENT DOCUMENTS

2,558,611	A *	6/1951	Emmart	211/74
3,160,278	A *	12/1964	Varkala	211/74
D409,056	S *	5/1999	Olson et al.	D7/704
D458,813	S *	6/2002	Goodman et al.	D7/704
D472,432	S *	4/2003	Goodman et al.	D7/704
D541,604	S *	5/2007	Goodman et al.	D7/704
D593,820	S *	6/2009	Goodman et al.	D7/704
2003/0205543	A1 *	11/2003	Kao	211/74

* cited by examiner

Primary Examiner — Terry A Wallace

(74) *Attorney, Agent, or Firm* — Pearne & Gordon LLP

(57) **CLAIM**

The ornamental design for a stackable wine rack, as shown and described.

DESCRIPTION

FIG. 1 is a perspective view of a stackable wine rack showing our new design;

FIG. 2 is a top plan view thereof;

FIG. 3 is a front elevational view thereof;

FIG. 4 is a right side elevational view thereof, the left side elevational view being identical;

FIG. 5 is a bottom plan view thereof;

FIG. 6 is a perspective view of a second embodiment of the design shown in FIG. 1, showing a three-tier wine rack formed of three stacked wine racks of FIG. 1, it being understood that more or less tiers may be provided by stacking the racks of FIG. 1;

FIG. 7 is a top plan view thereof;

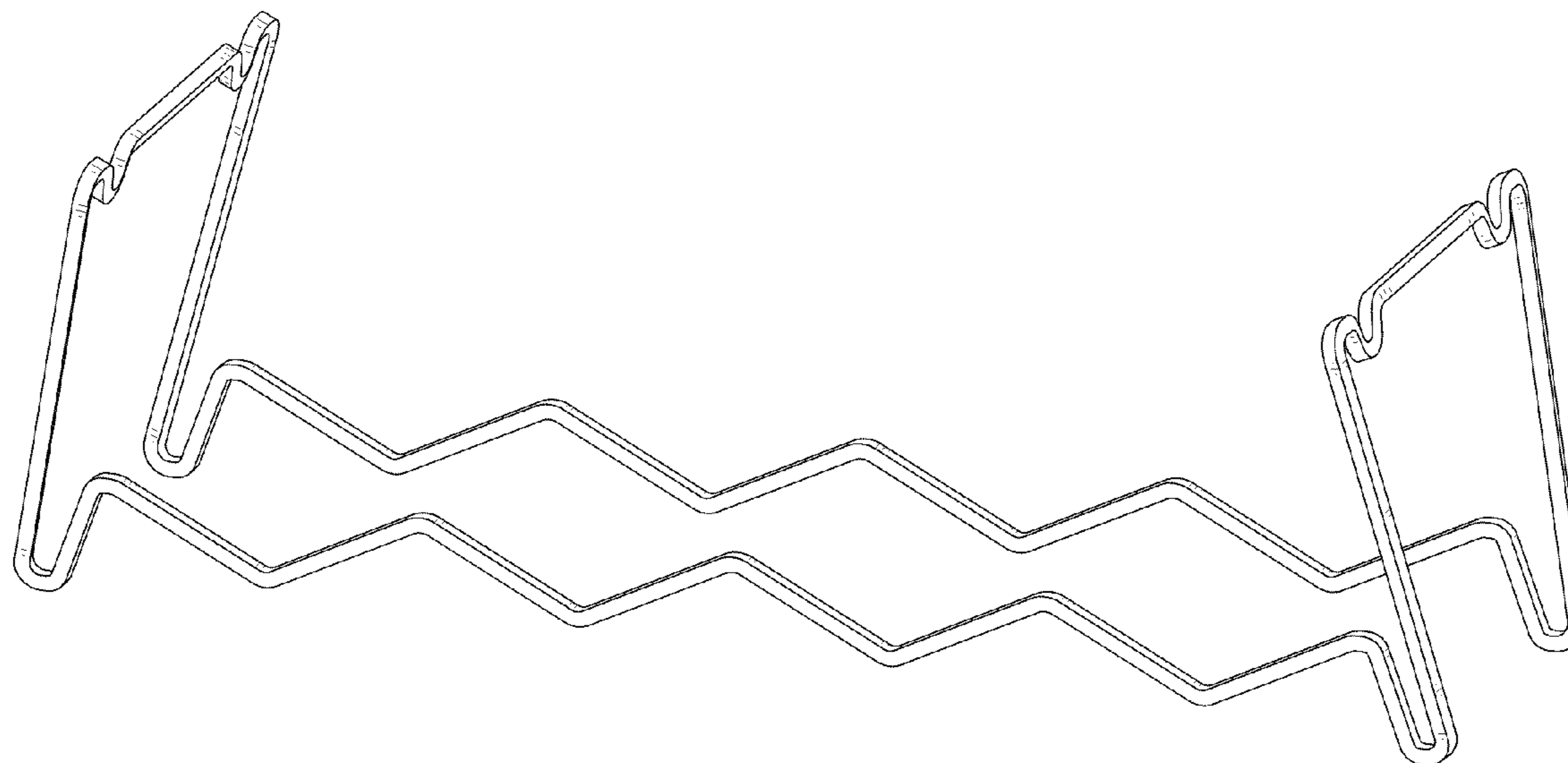
FIG. 8 is a front elevational view thereof;

FIG. 9 is a right side elevational view thereof, the left side elevational view being identical;

FIG. 10 is a bottom plan view thereof; and,

FIG. 11 is a perspective view showing of the three tier wine rack of FIG. 6 having an indeterminate width and identically space as in FIG. 6.

1 Claim, 5 Drawing Sheets



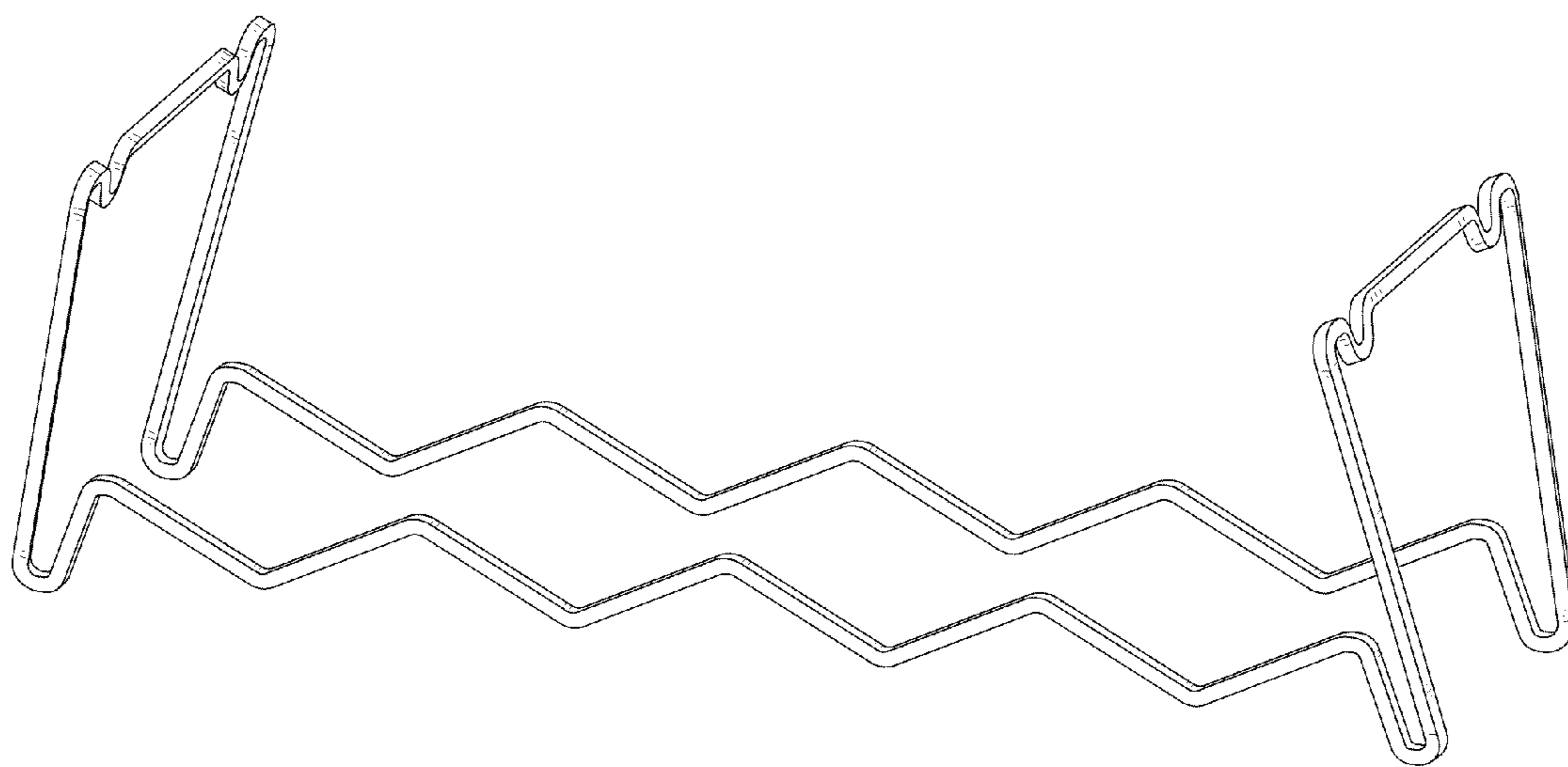


FIG. 1

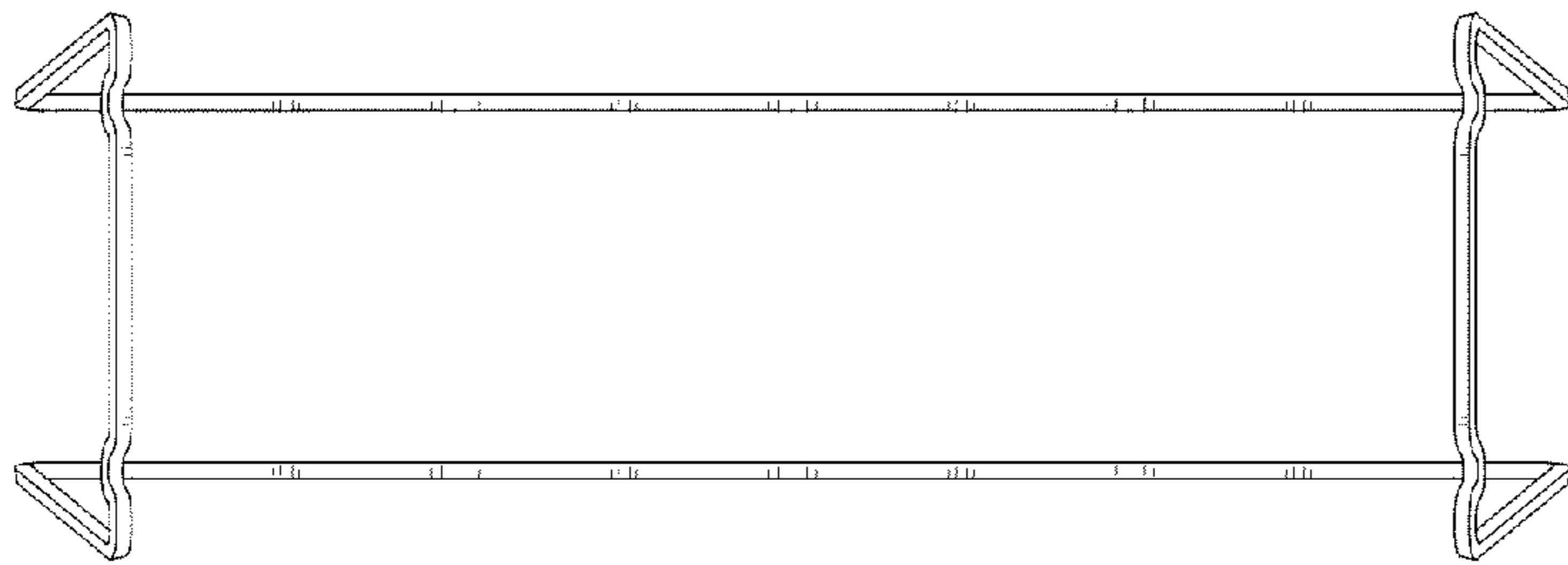


FIG. 2

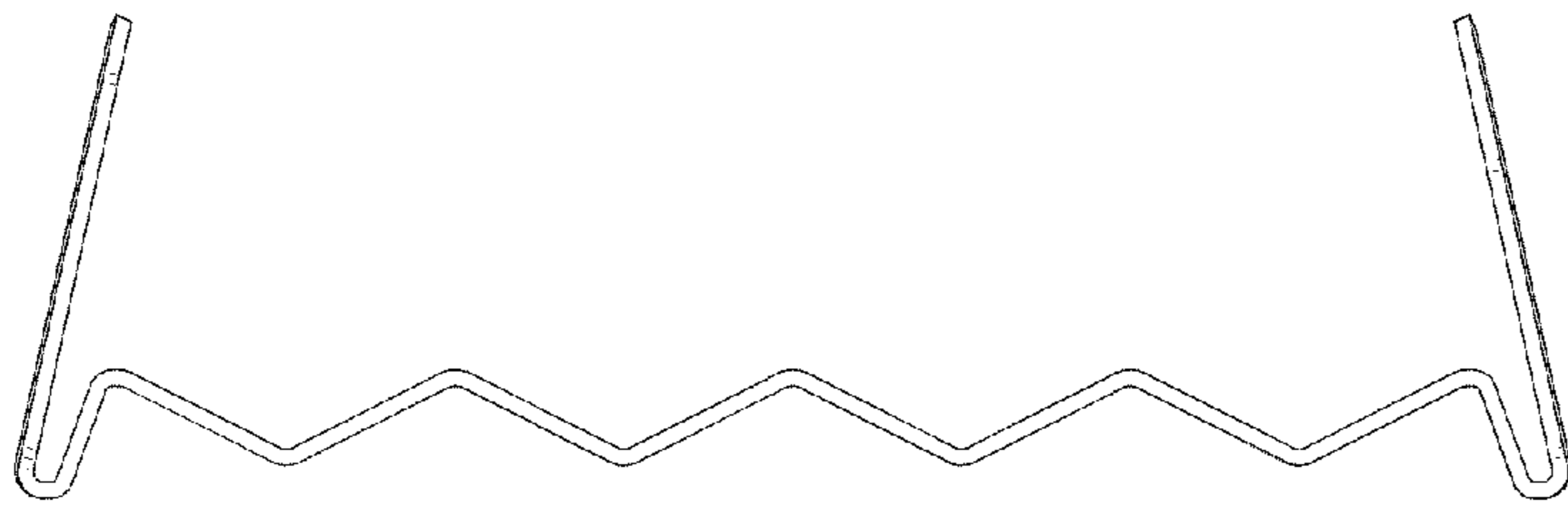


FIG. 3

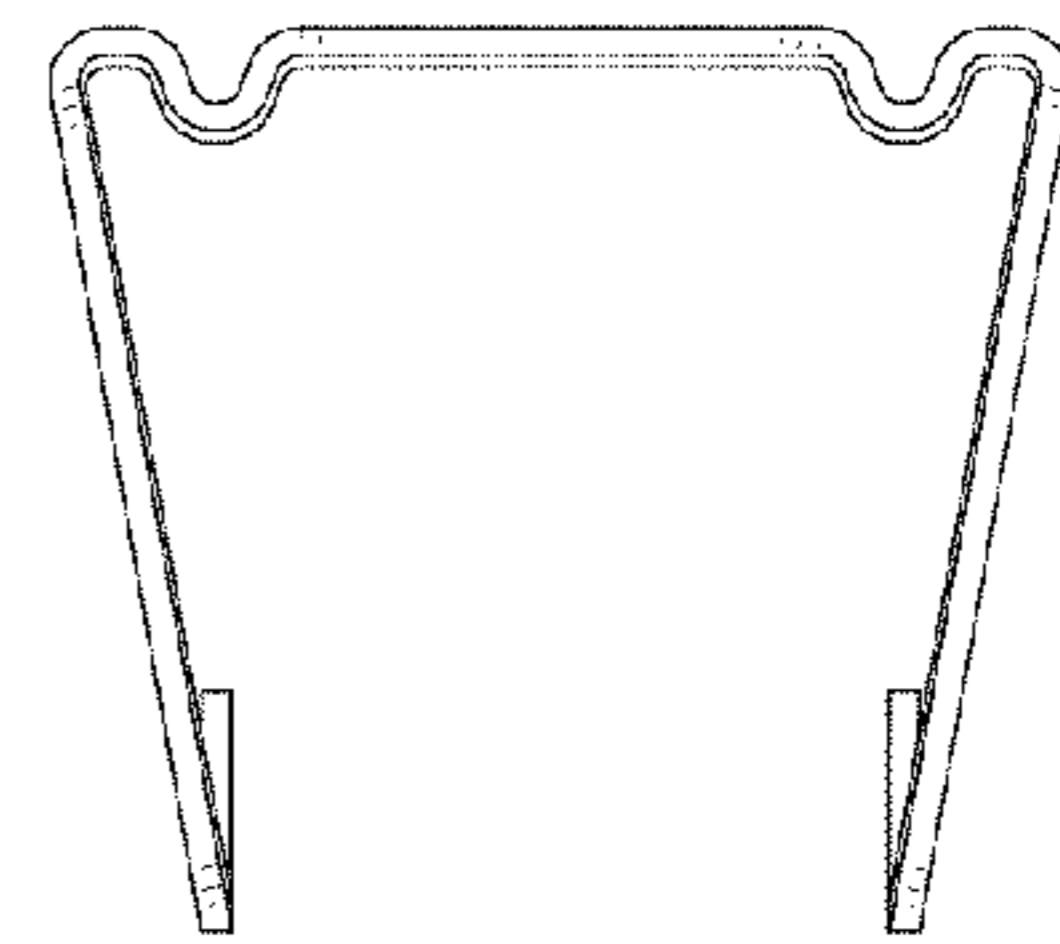


FIG. 4

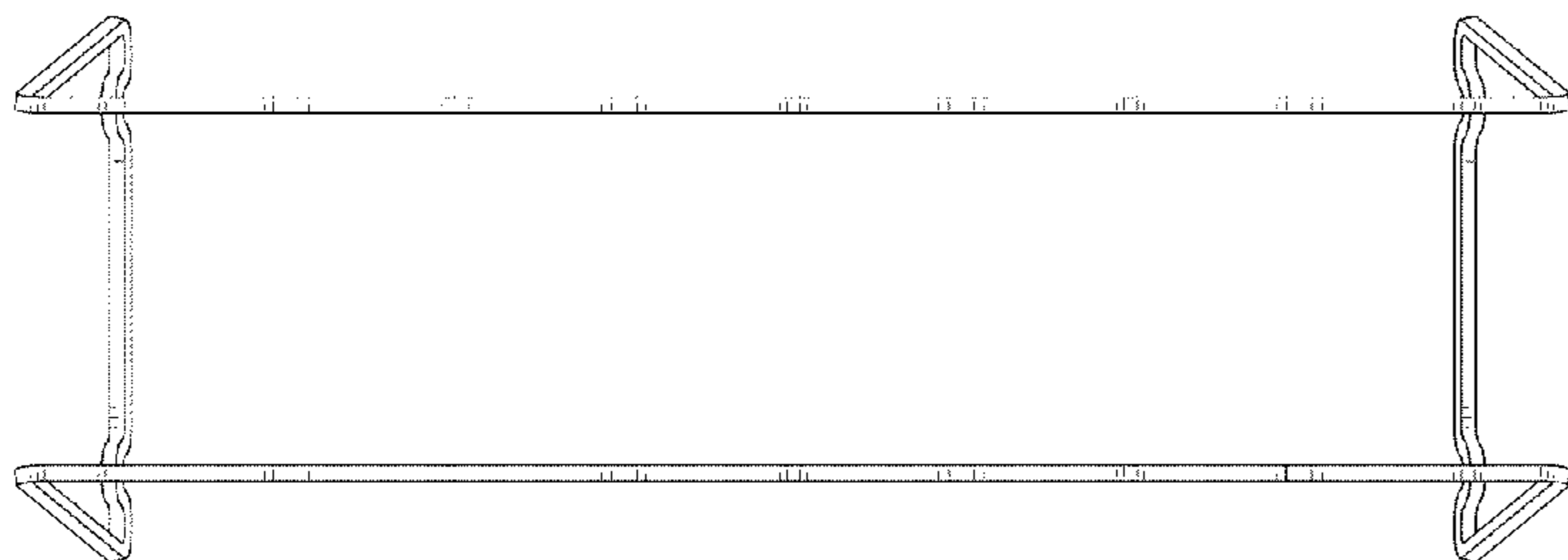


FIG. 5

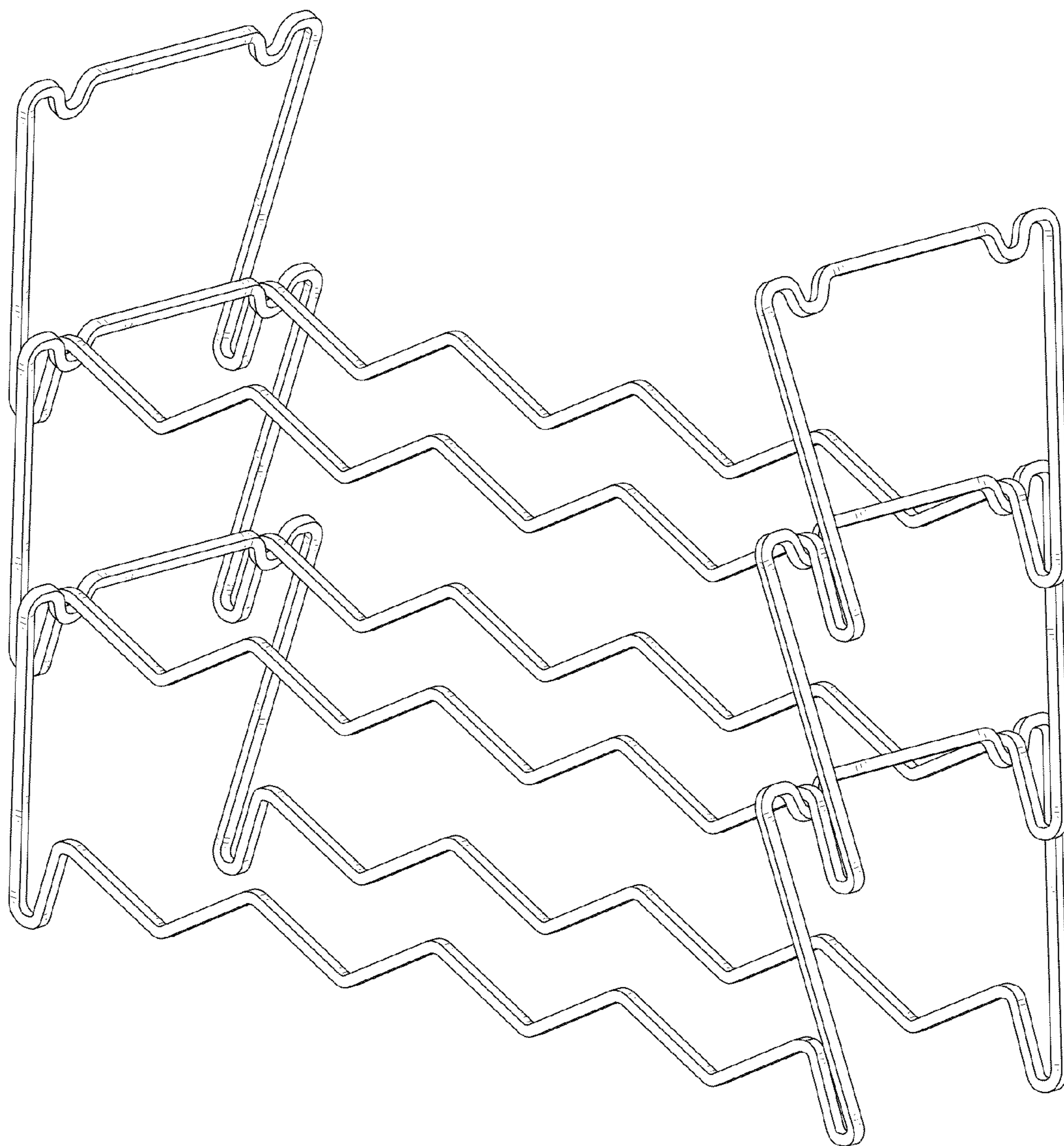


FIG. 6

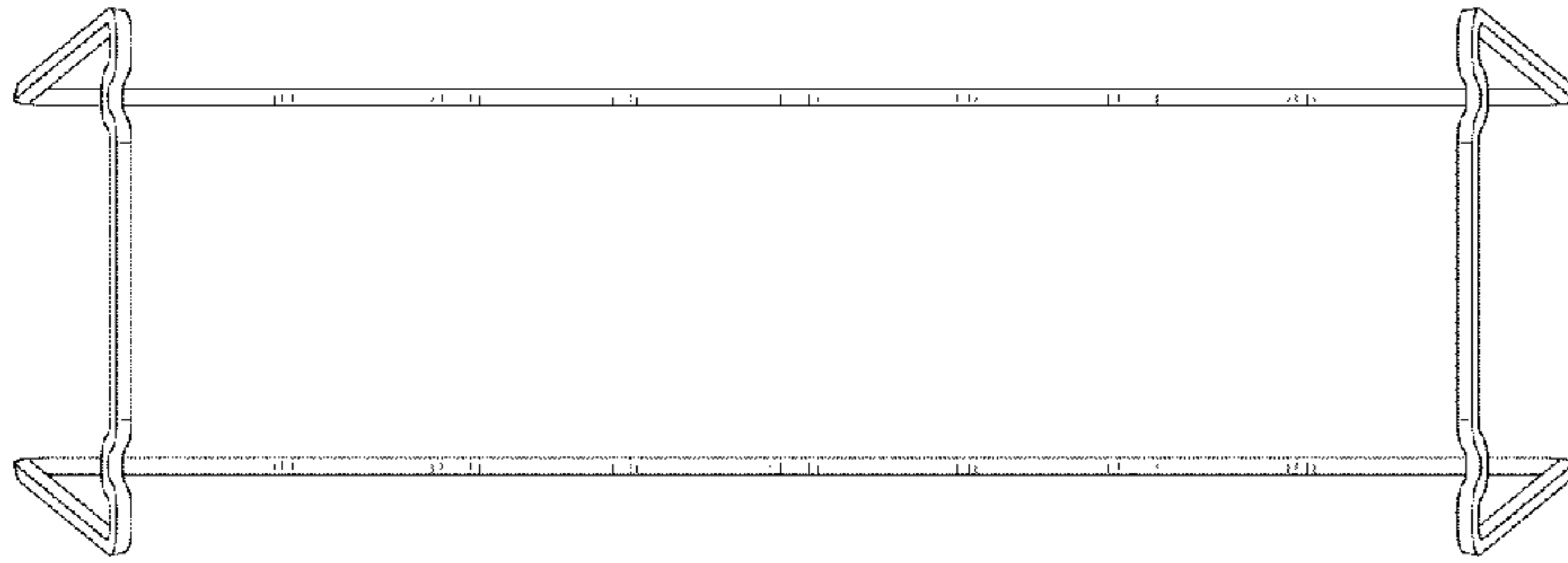


FIG. 7

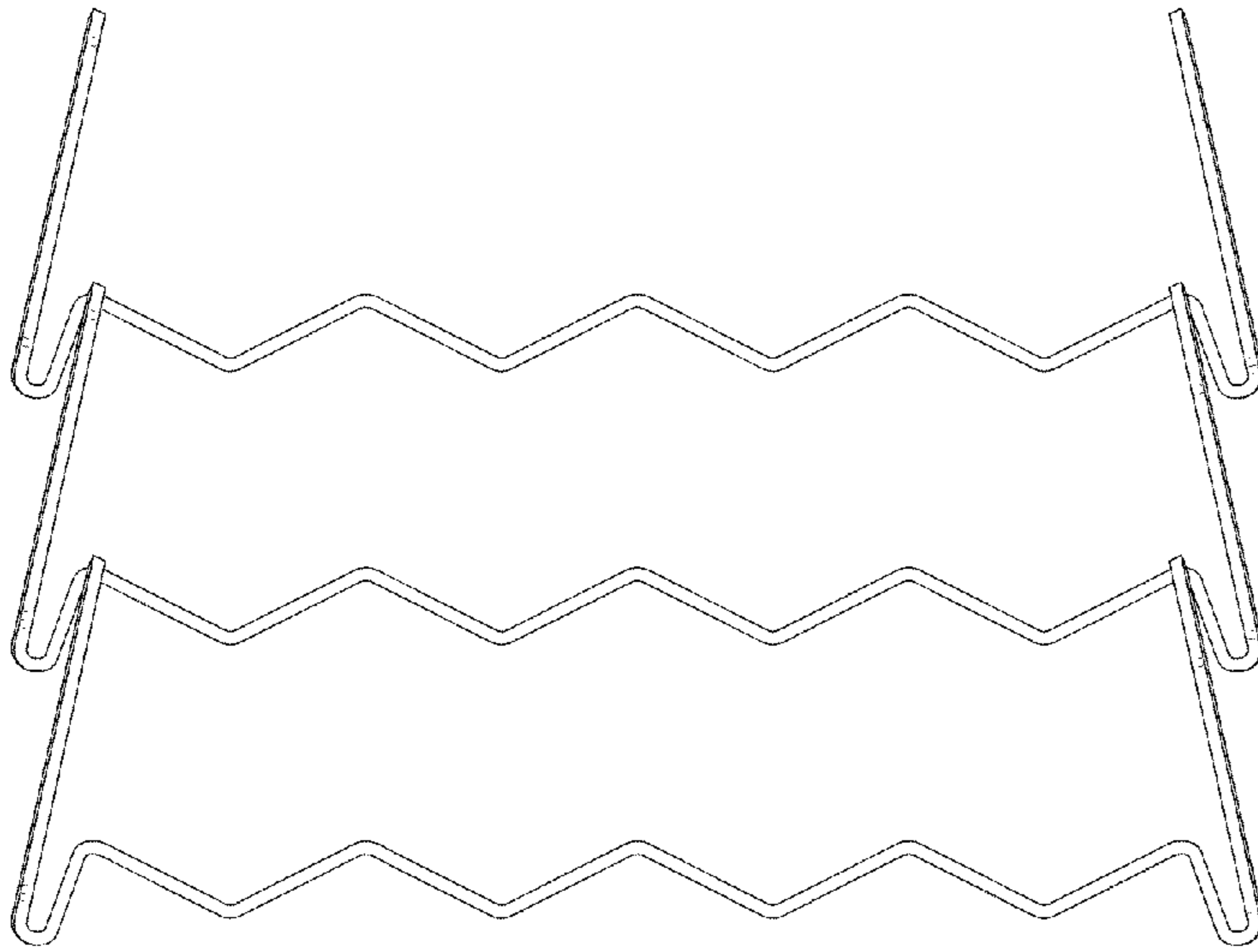


FIG. 8

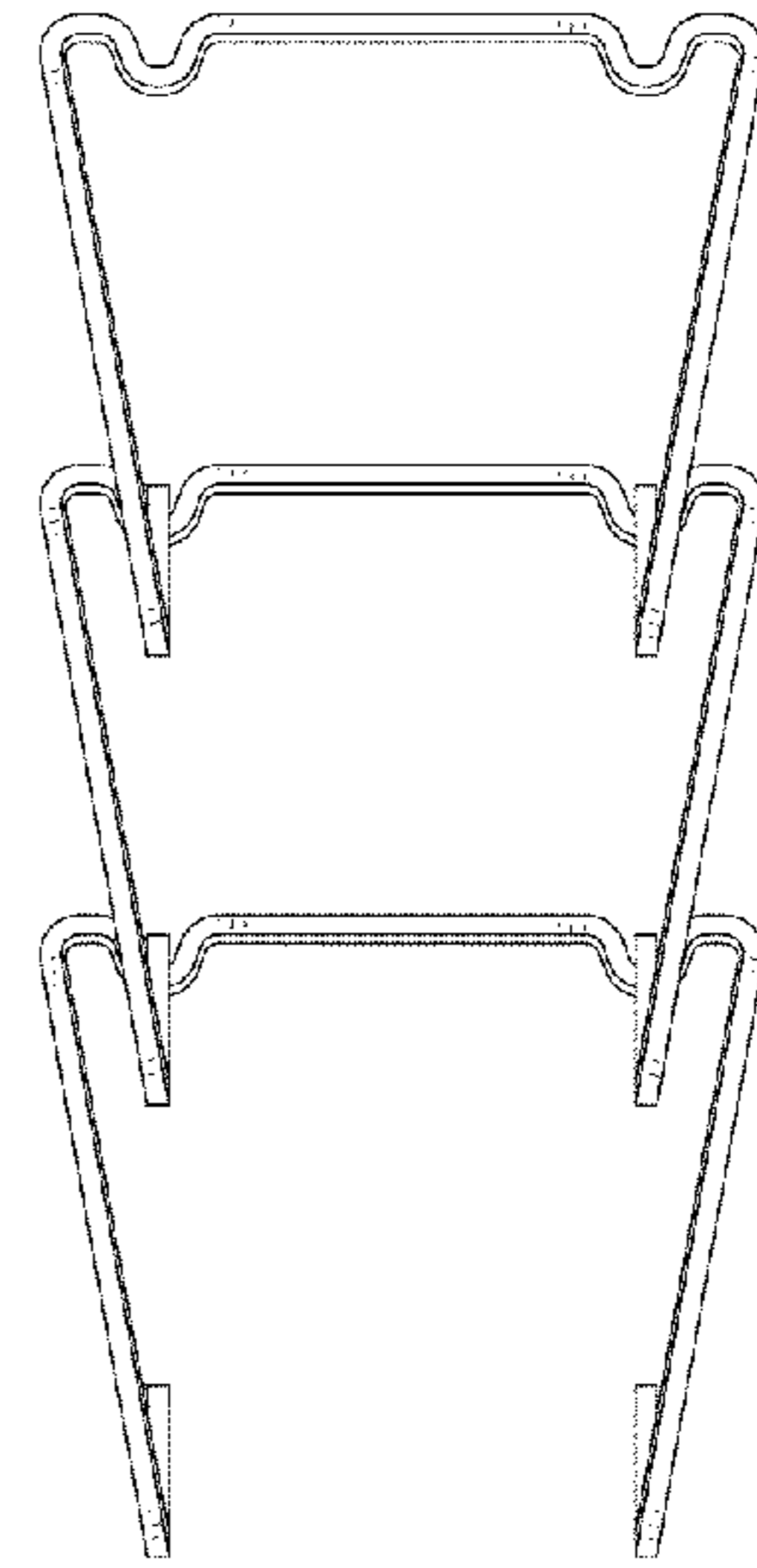


FIG. 9

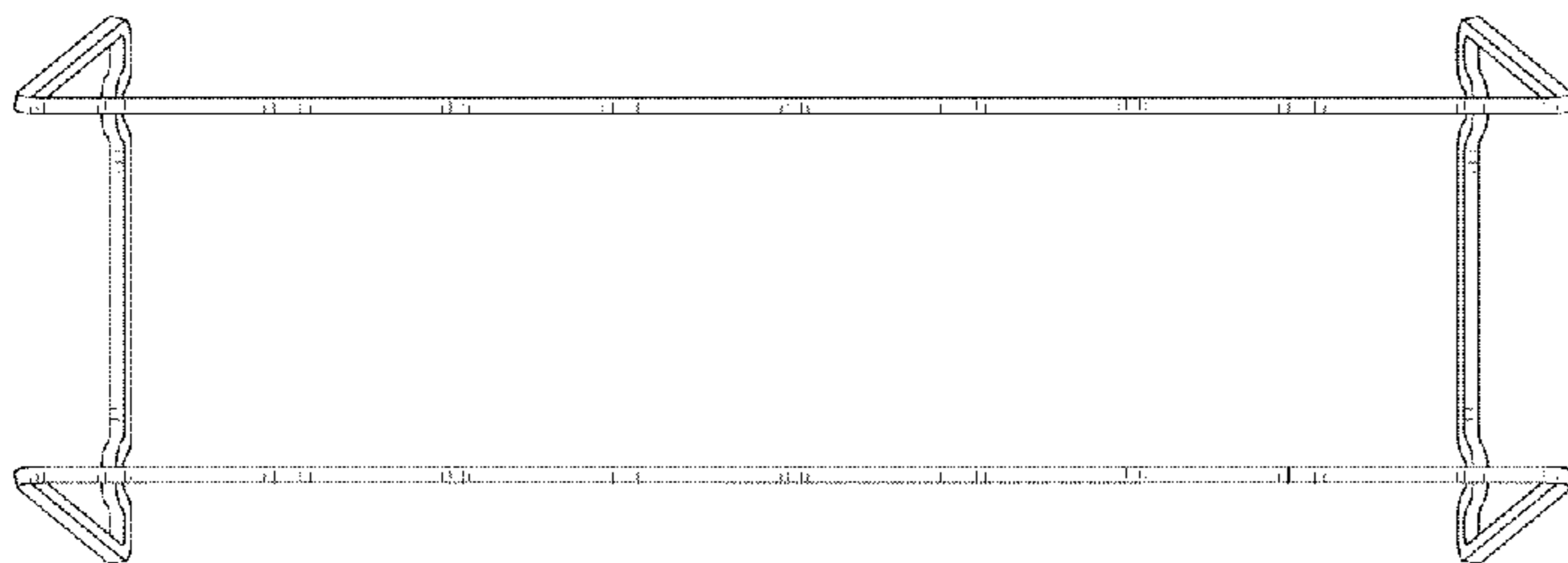


FIG. 10

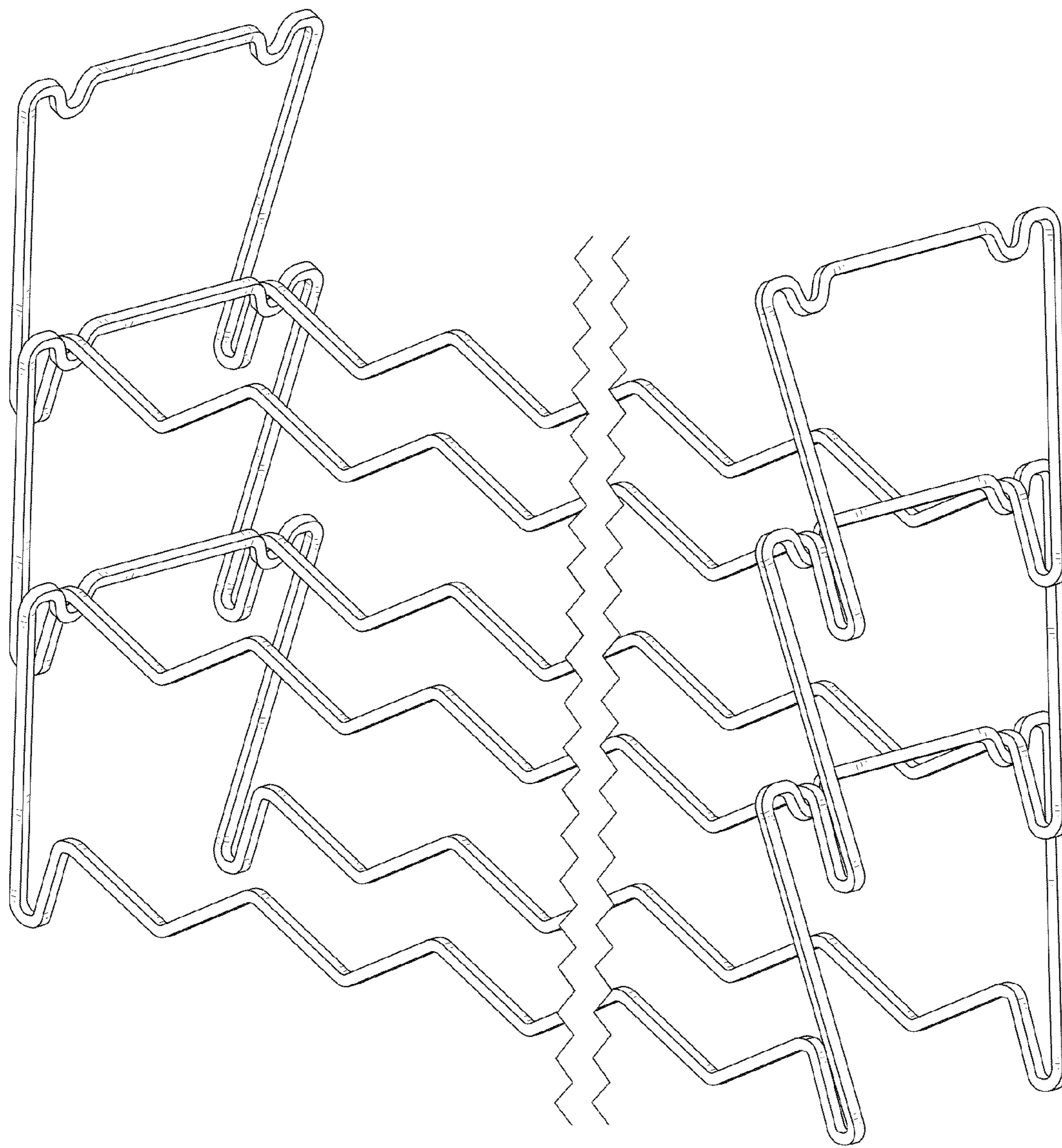


FIG. 11