



US00D638666S

(12) **United States Design Patent**
Seehoff et al.

(10) **Patent No.:** **US D638,666 S**
(45) **Date of Patent:** **** May 31, 2011**

(54) **SANDWICH POCKET MAKER**
(75) Inventors: **Gary Stanley Seehoff**, Encino, CA
(US); **Huy Kha Nguyen**, Garden Grove,
CA (US); **Christopher Anzalone**,
Foothill Ranch, CA (US)

2,665,649	A *	1/1954	Cesare	425/299
2,754,587	A *	7/1956	Bylkas	30/301
3,319,682	A *	5/1967	Hall	269/288
4,245,973	A *	1/1981	Greaney	425/276
D481,914	S *	11/2003	Short	D7/675
D487,000	S *	2/2004	Sarihan	D7/673
D487,002	S *	2/2004	Sarihan	D7/673
2004/0187317	A1 *	9/2004	Wood	30/315

(73) Assignee: **Evriholder Products LLC**, Anaheim,
CA (US)

* cited by examiner

(**) Term: **14 Years**

Primary Examiner — Terry A Wallace

(21) Appl. No.: **29/365,999**

(57) **CLAIM**
The ornamental design for a sandwich pocket maker, as shown and described.

(22) Filed: **Jul. 17, 2010**

(51) **LOC (9) Cl.** **07-03**

(52) **U.S. Cl.** **D7/673**

(58) **Field of Classification Search** D7/672-677;
249/117, 135; 30/303, 301, 305, 312, 315,
30/114, 124, 299, 130, 314, 316; 269/87.2,
269/295, 288; 425/276, 281, 290, 289, DIG. 1
See application file for complete search history.

DESCRIPTION

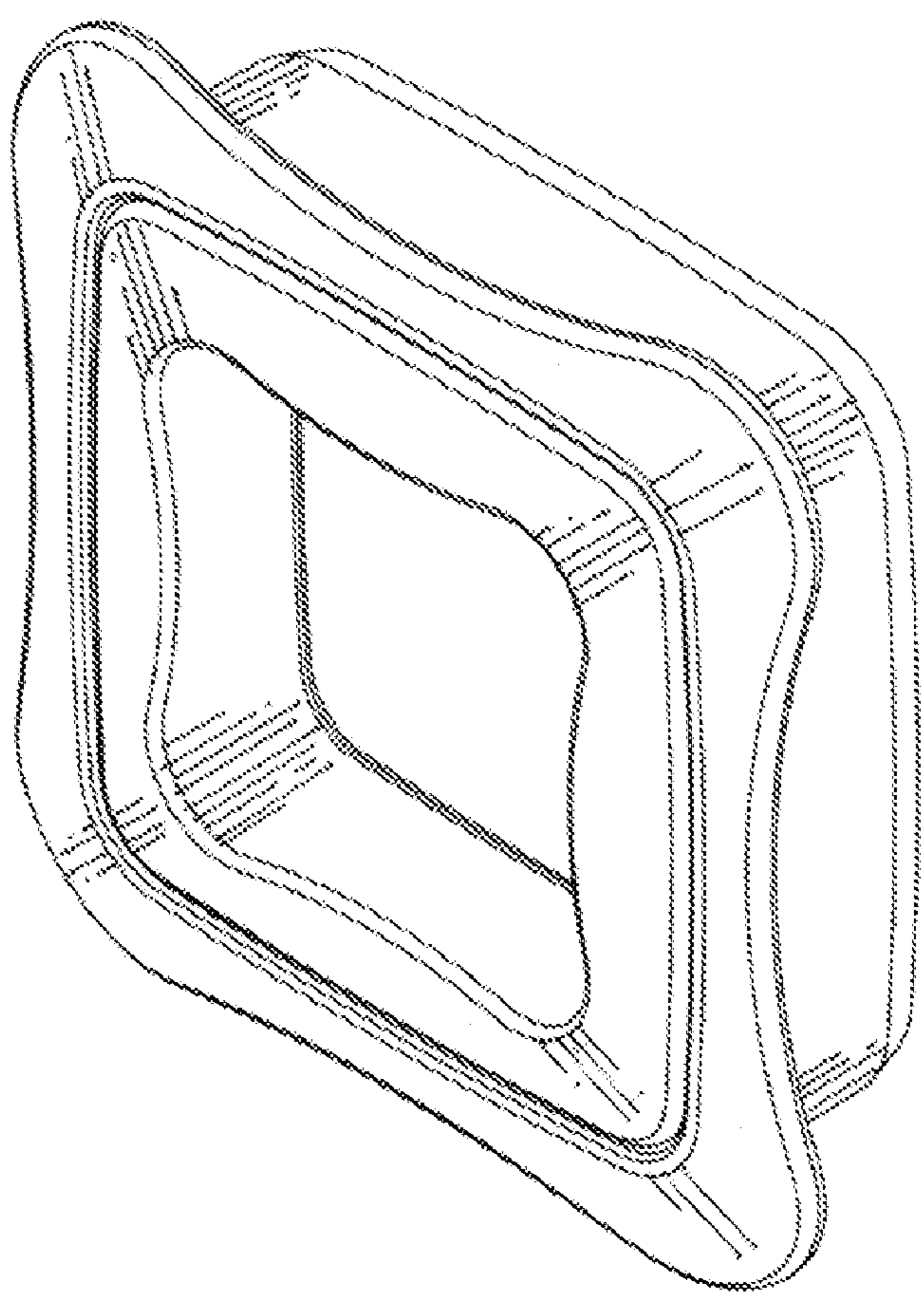
FIG. 1 illustrates a top view of the claimed design for a sandwich pocket maker;
FIG. 2 illustrates a front view thereof;
FIG. 3 illustrates a left-side view thereof;
FIG. 4 illustrates a right-side view thereof;
FIG. 5 illustrates a rear view thereof;
FIG. 6 illustrates a bottom view thereof;
FIG. 7 illustrates an internal sectional view thereof; and,
FIG. 8 illustrates a perspective view thereof.

(56) **References Cited**

U.S. PATENT DOCUMENTS

D154,318	S *	6/1949	Price et al.	D7/676
D154,319	S *	6/1949	Price et al.	D7/676

1 Claim, 8 Drawing Sheets



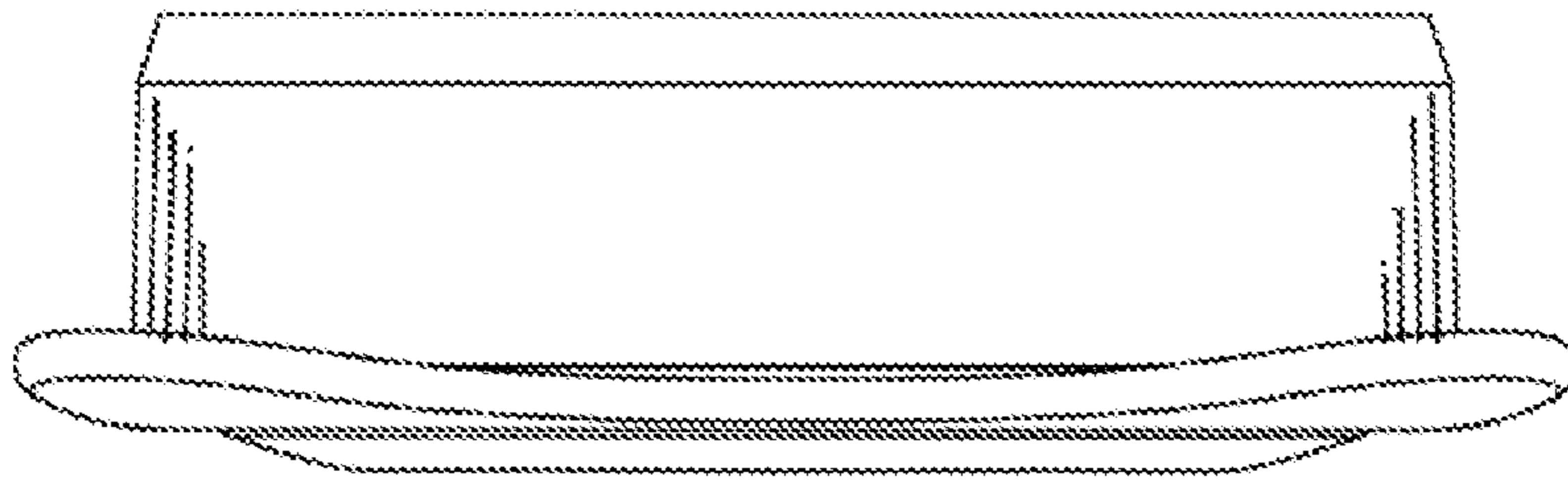


Fig. 1

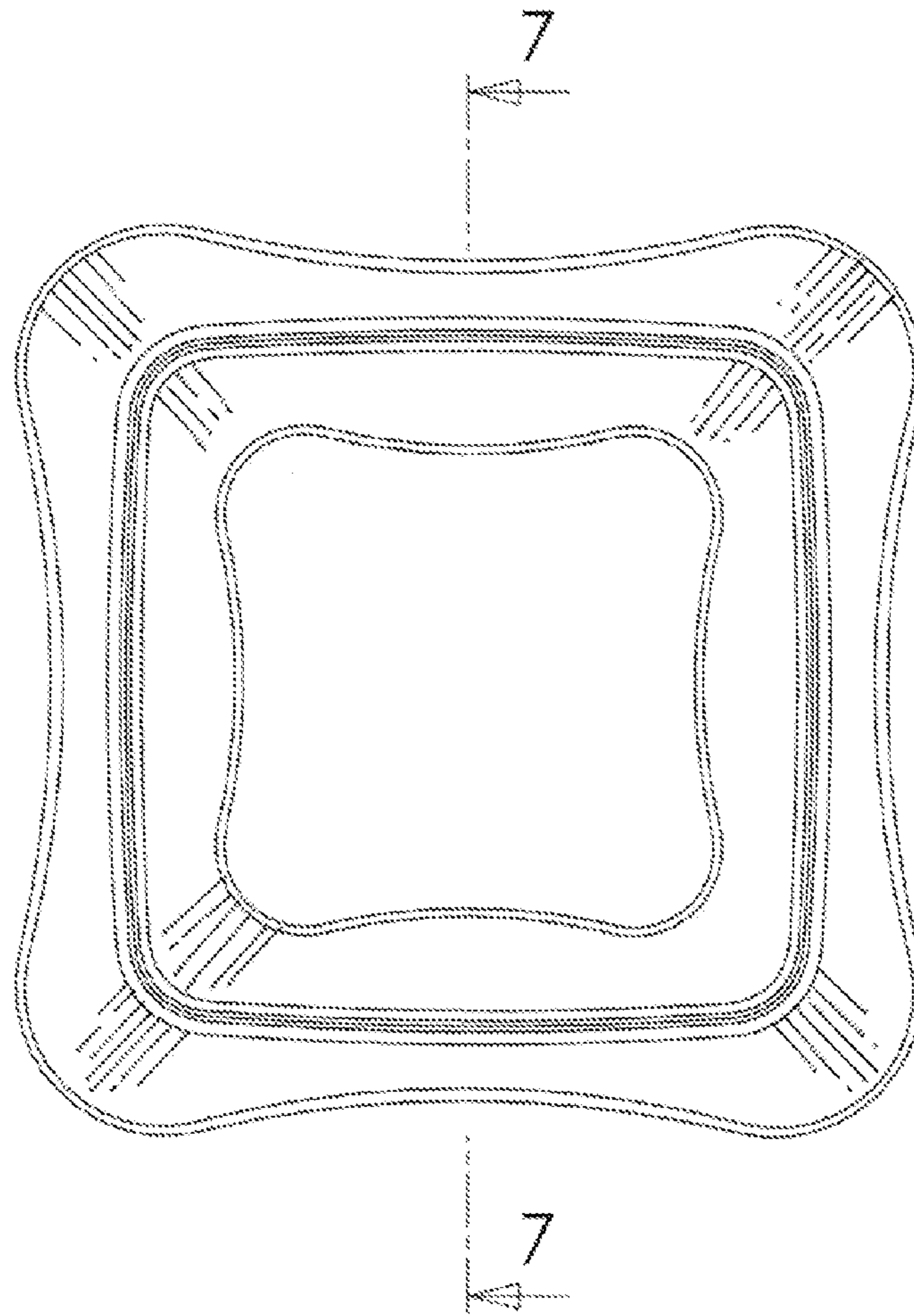


Fig. 2

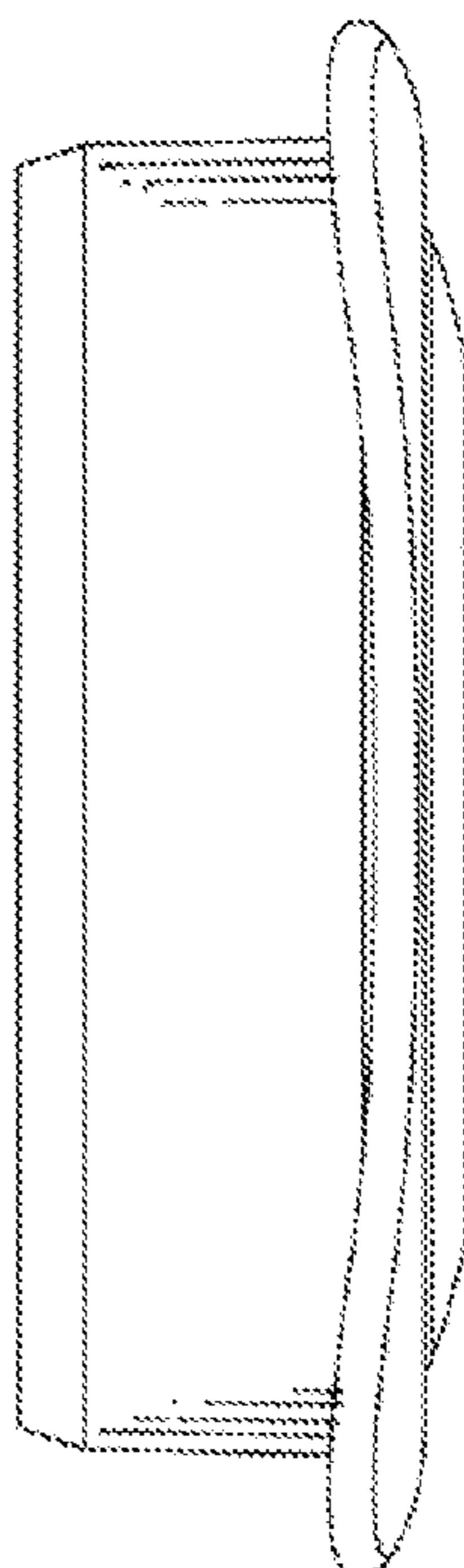


Fig. 3

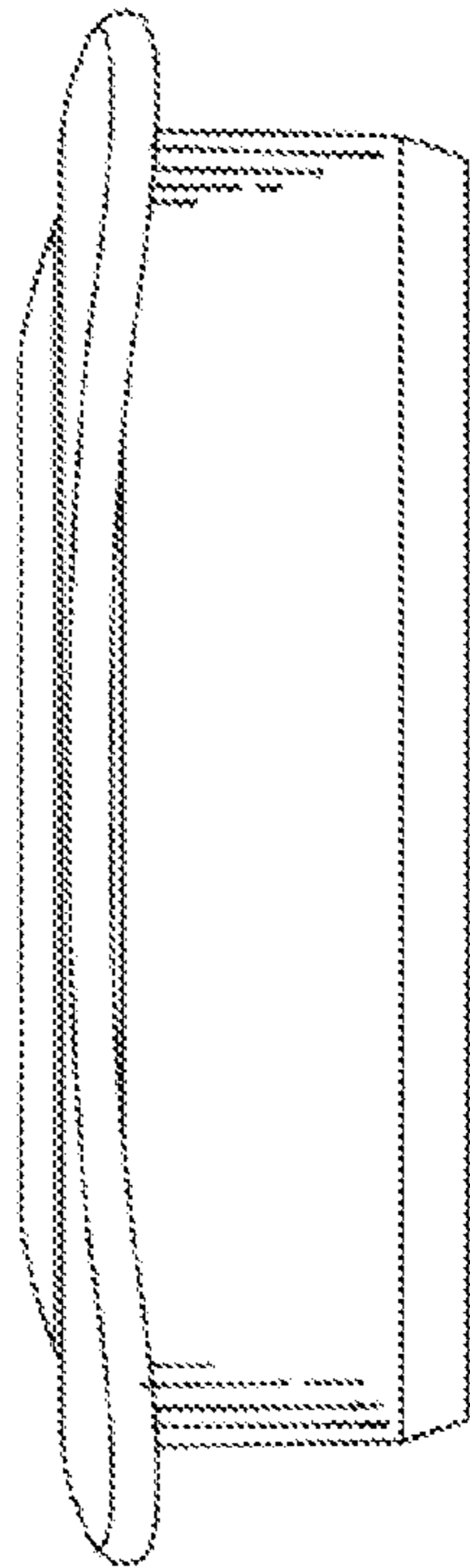


Fig. 4

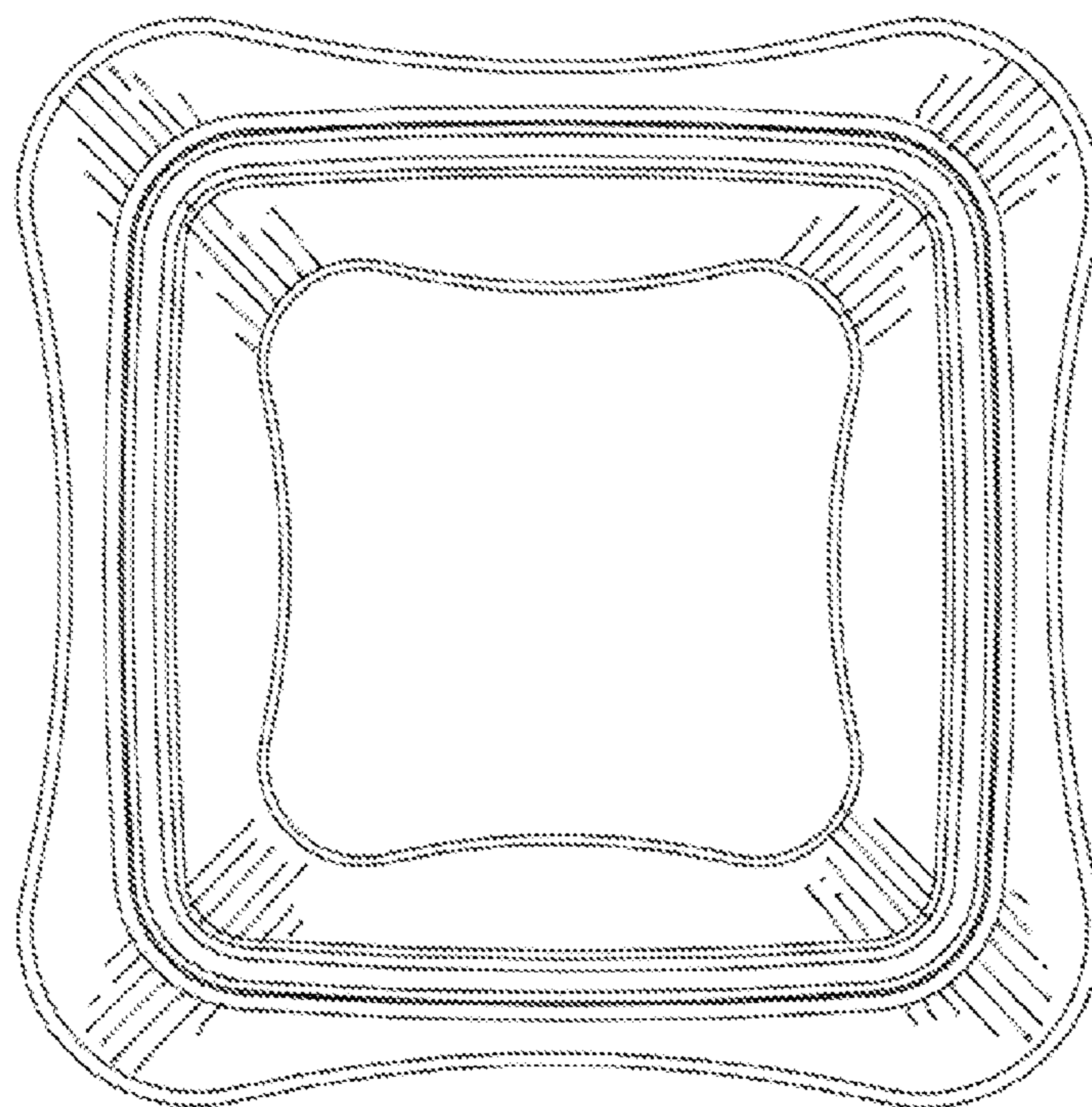


Fig. 5

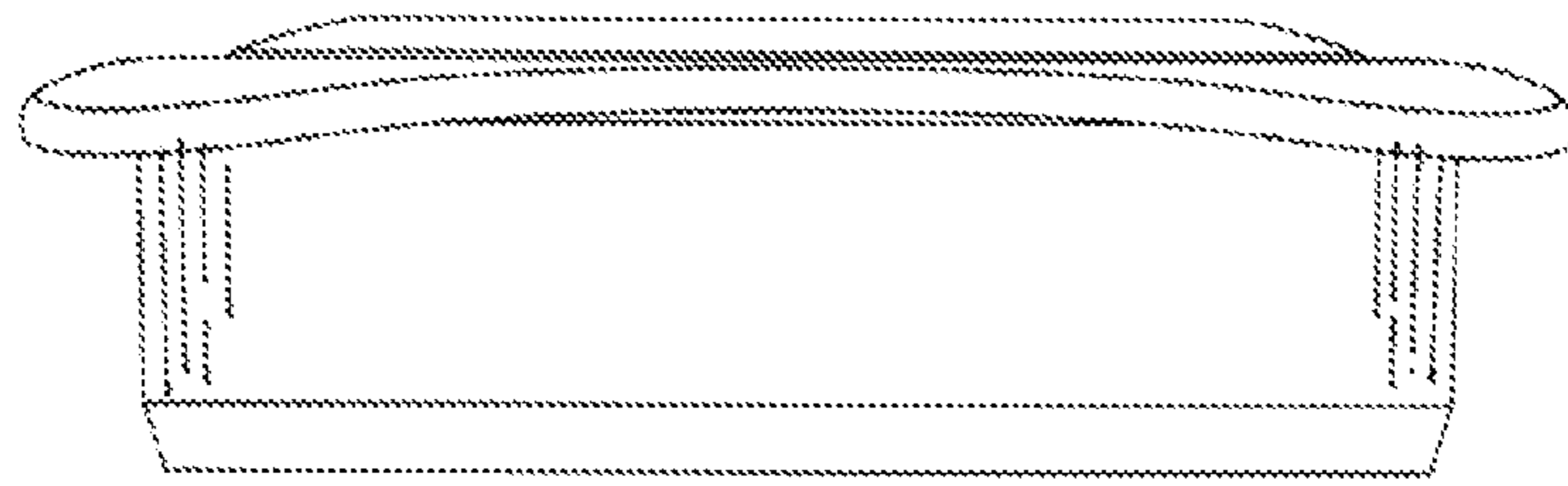


Fig. 6

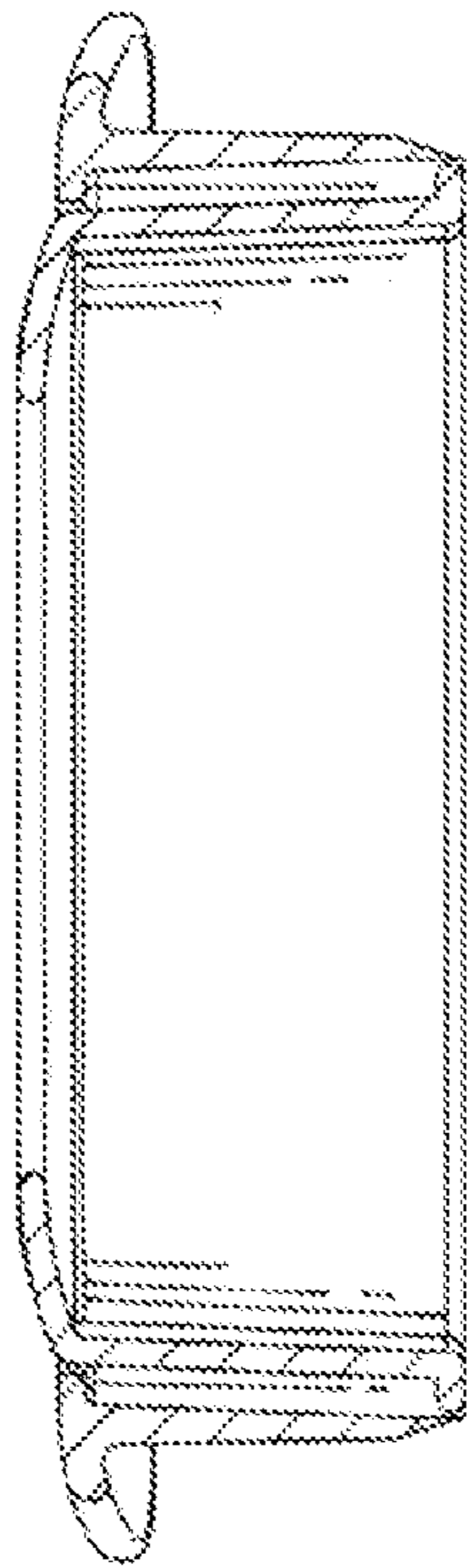


Fig. 7

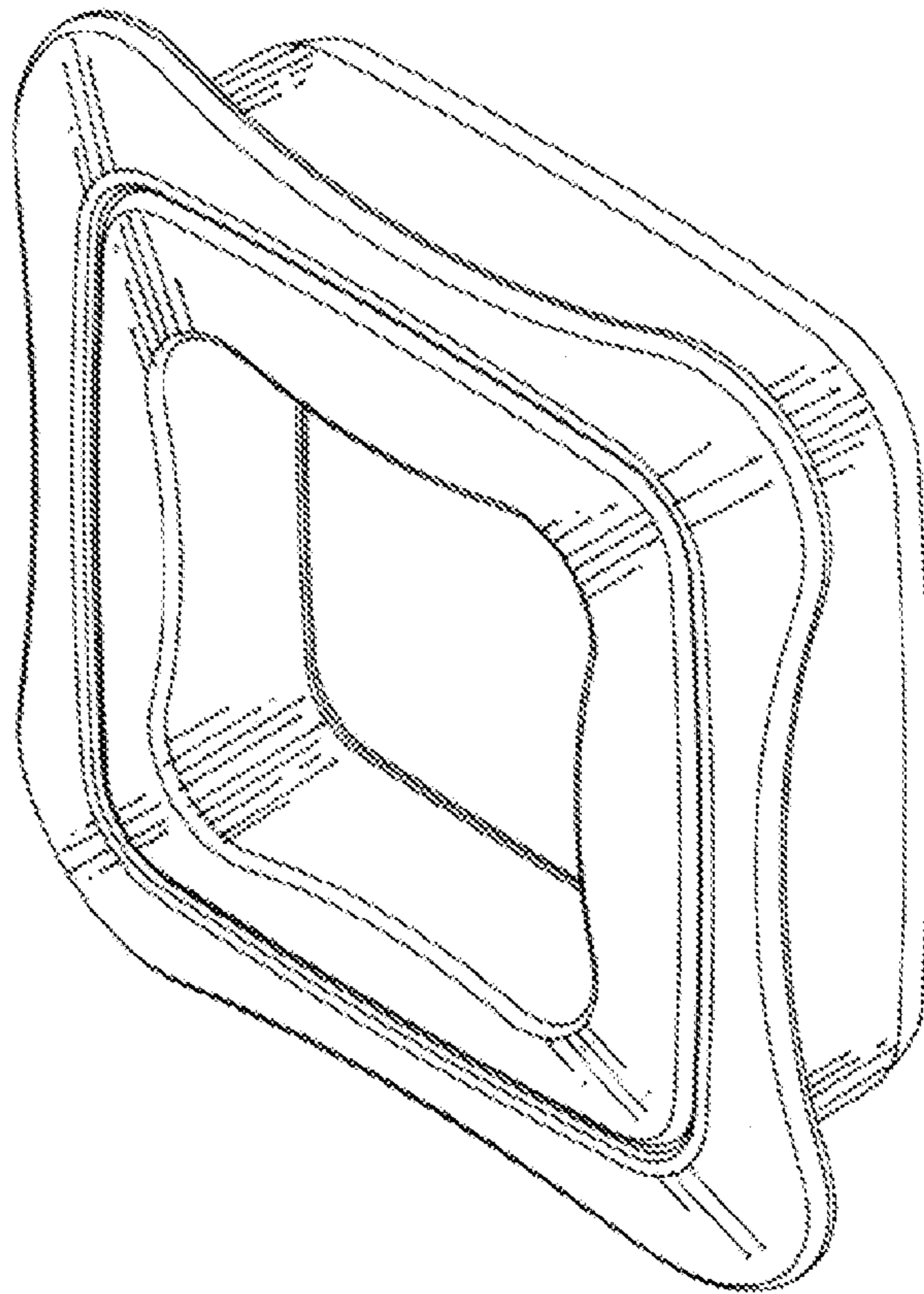


Fig. 8