



US00D638665S

(12) **United States Design Patent**
Wu

(10) **Patent No.:** **US D638,665 S**

(45) **Date of Patent:** **** May 31, 2011**

(54) **JUICER**

(75) Inventor: **Andy Wu**, Quanzhou (CN)

(73) Assignee: **Quanzhou Yida Home Appliance Industrial Co., Ltd.**, Fujian (CN)

(**) Term: **14 Years**

(21) Appl. No.: **29/378,340**

(22) Filed: **Nov. 3, 2010**

(51) **LOC (9) Cl.** **31-00**

(52) **U.S. Cl.** **D7/665; D7/378**

(58) **Field of Classification Search** D7/665,
D7/666, 381, 384, 378, 376, 377; 366/64-67,
366/98, 142, 197-211, 241-254, 279-292,
366/341-347; 241/36, 30, 37.5, 92, 100,
241/282.1, 101.1-101.2, 285.1-285.3; 99/501-513,
99/495, 499, 348, 357
See application file for complete search history.

(56) **References Cited**

U.S. PATENT DOCUMENTS

D483,607 S * 12/2003 Chang Chien D7/384

D484,357 S * 12/2003 Seum et al. D7/378
D498,642 S * 11/2004 Huang D7/378
D504,277 S * 4/2005 Hei D7/378
D551,521 S * 9/2007 Chang Chien D7/665
D551,915 S * 10/2007 Chang Chien D7/665
2003/0099154 A1* 5/2003 Daniels, Jr. 366/191
2005/0207270 A1* 9/2005 Beesley 366/205

* cited by examiner

Primary Examiner — Terry Wallace

(74) *Attorney, Agent, or Firm* — Bacon & Thomas, PLLC

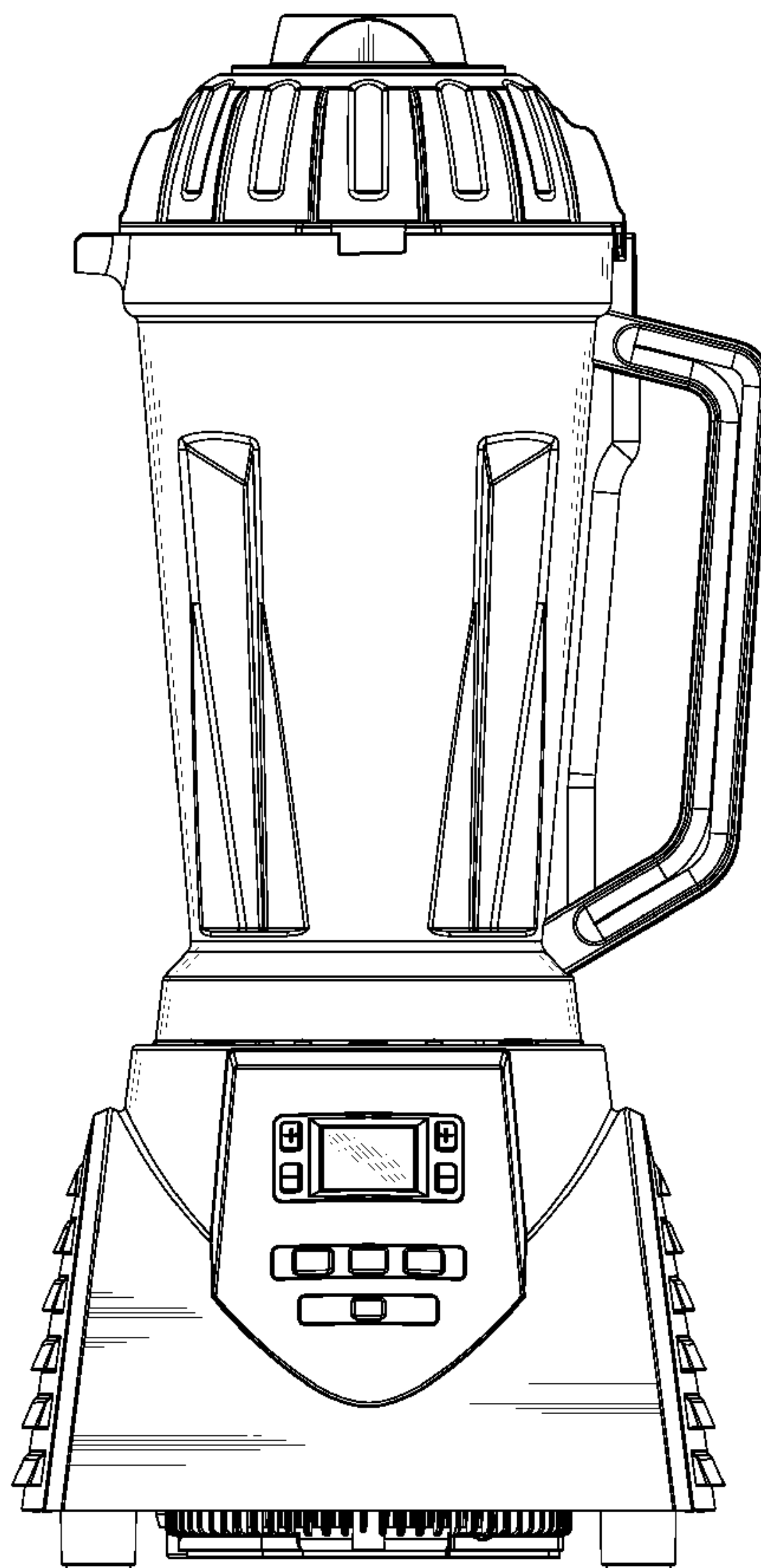
(57) **CLAIM**

The ornamental design for a juicer, as shown and described.

DESCRIPTION

FIG. 1 is a front elevational view of a juicer showing my new design;
FIG. 2 is a rear elevational view thereof;
FIG. 3 is a left side view thereof;
FIG. 4 is a right side elevational view thereof;
FIG. 5 is a top plan view thereof; and,
FIG. 6 is a bottom plan view thereof.

1 Claim, 5 Drawing Sheets



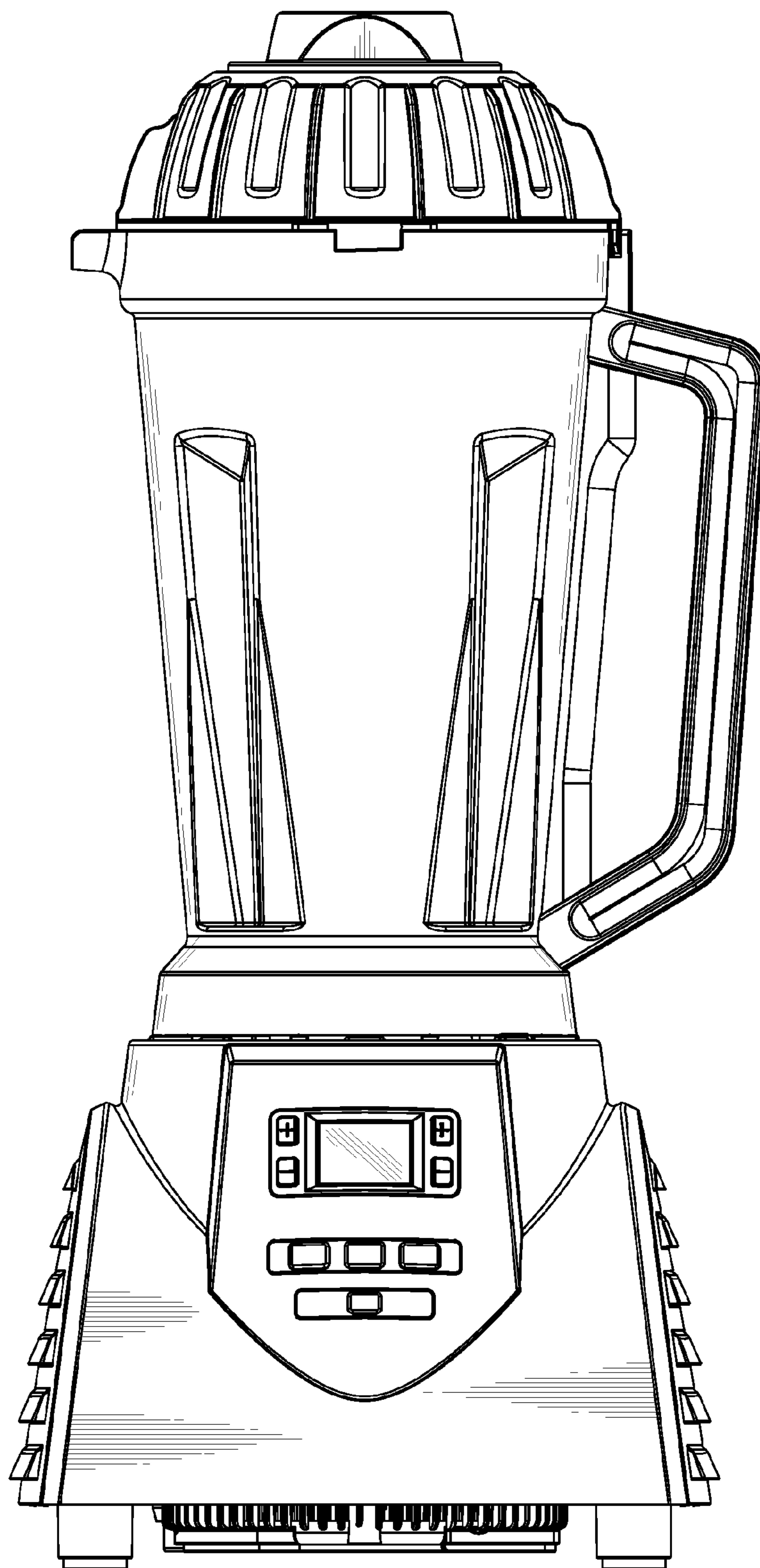


FIG. 1

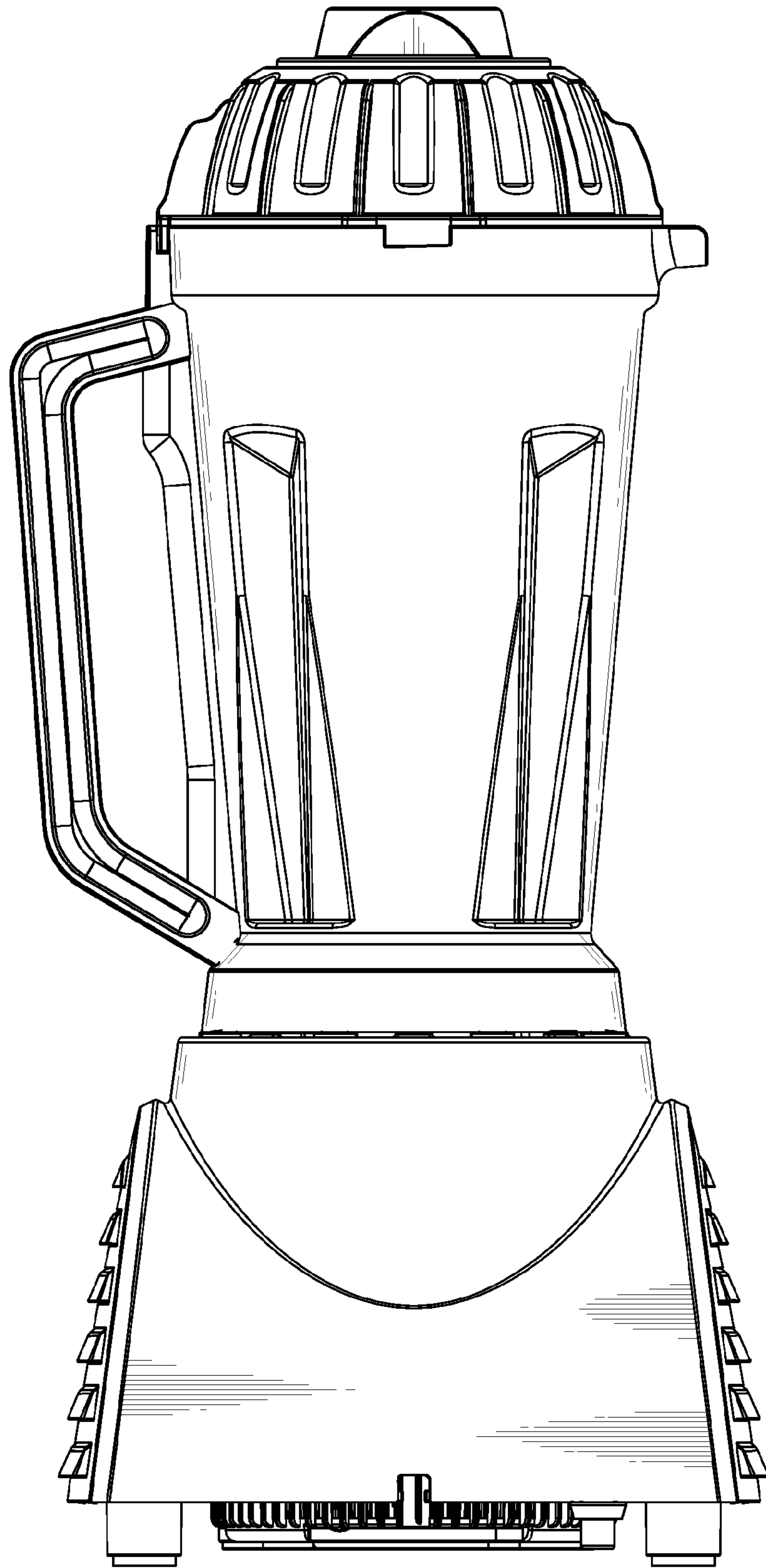


FIG. 2

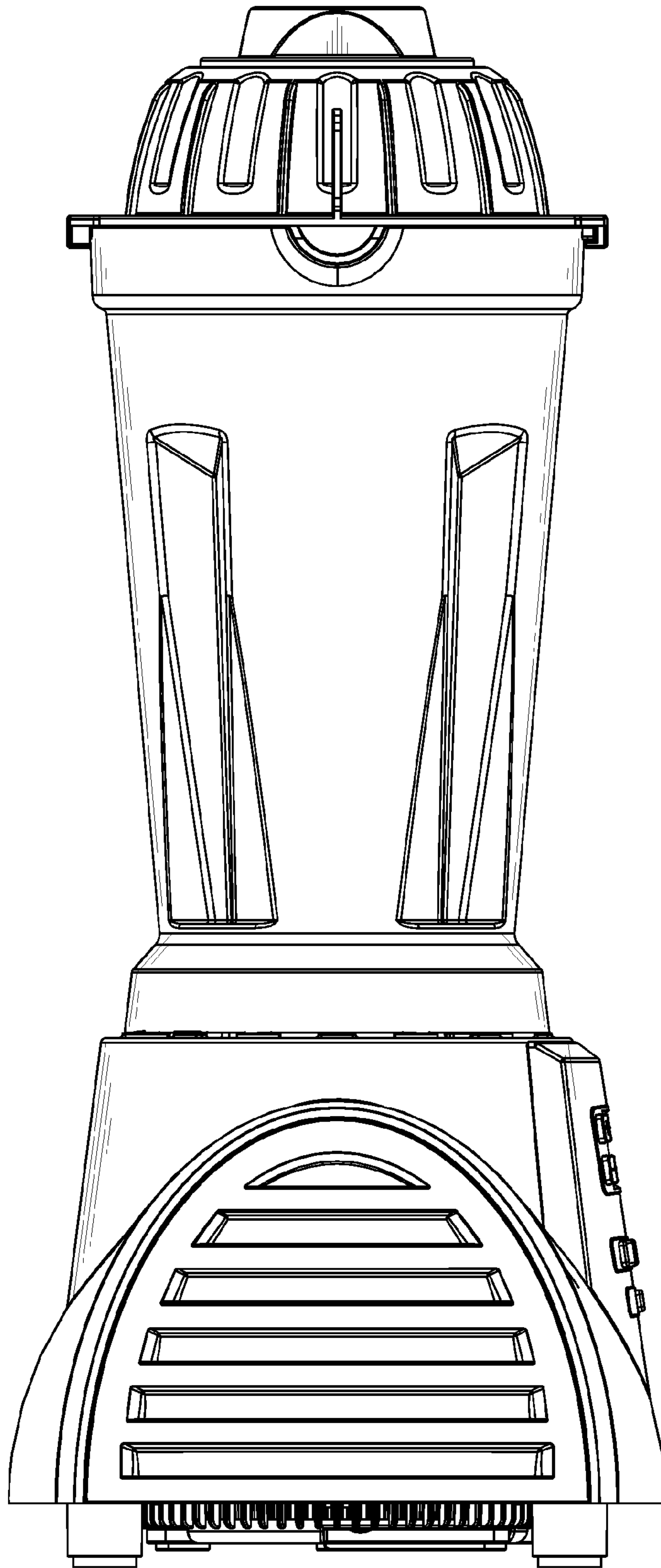


FIG. 3

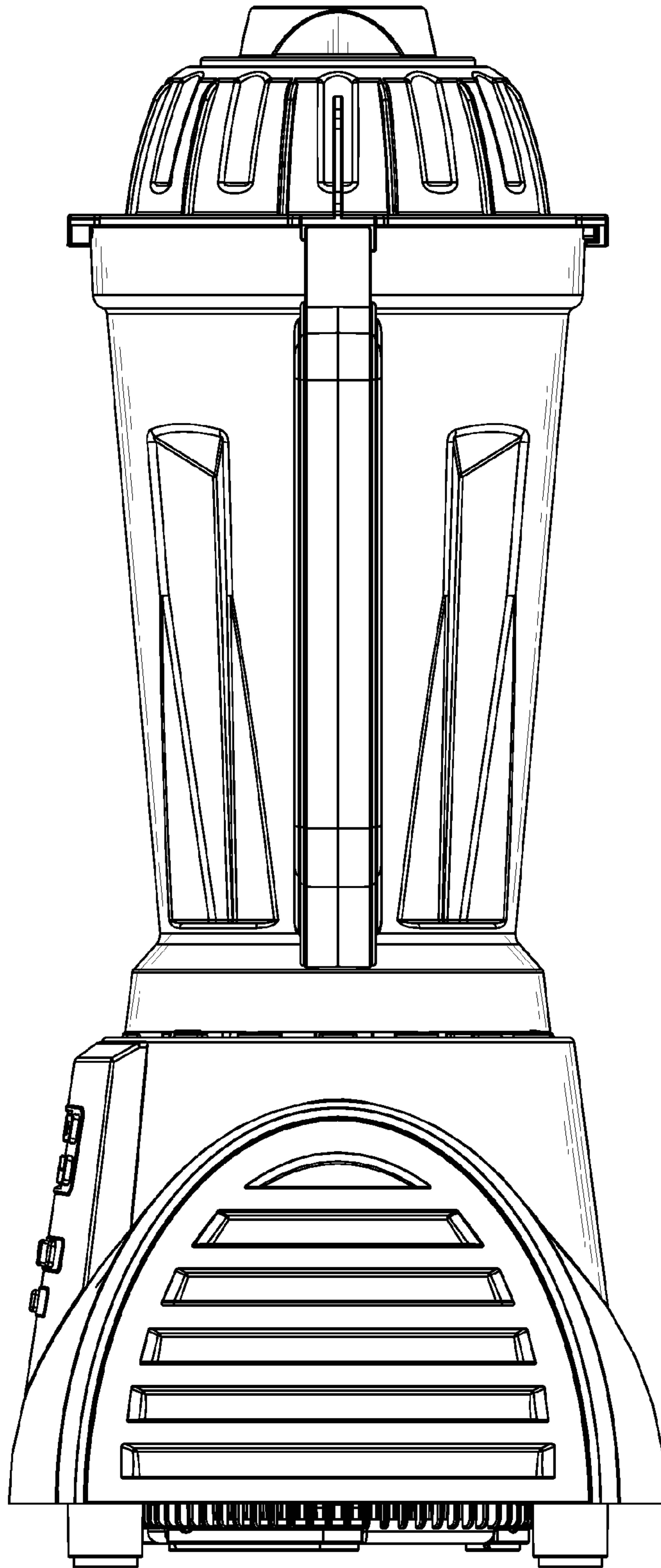


FIG. 4

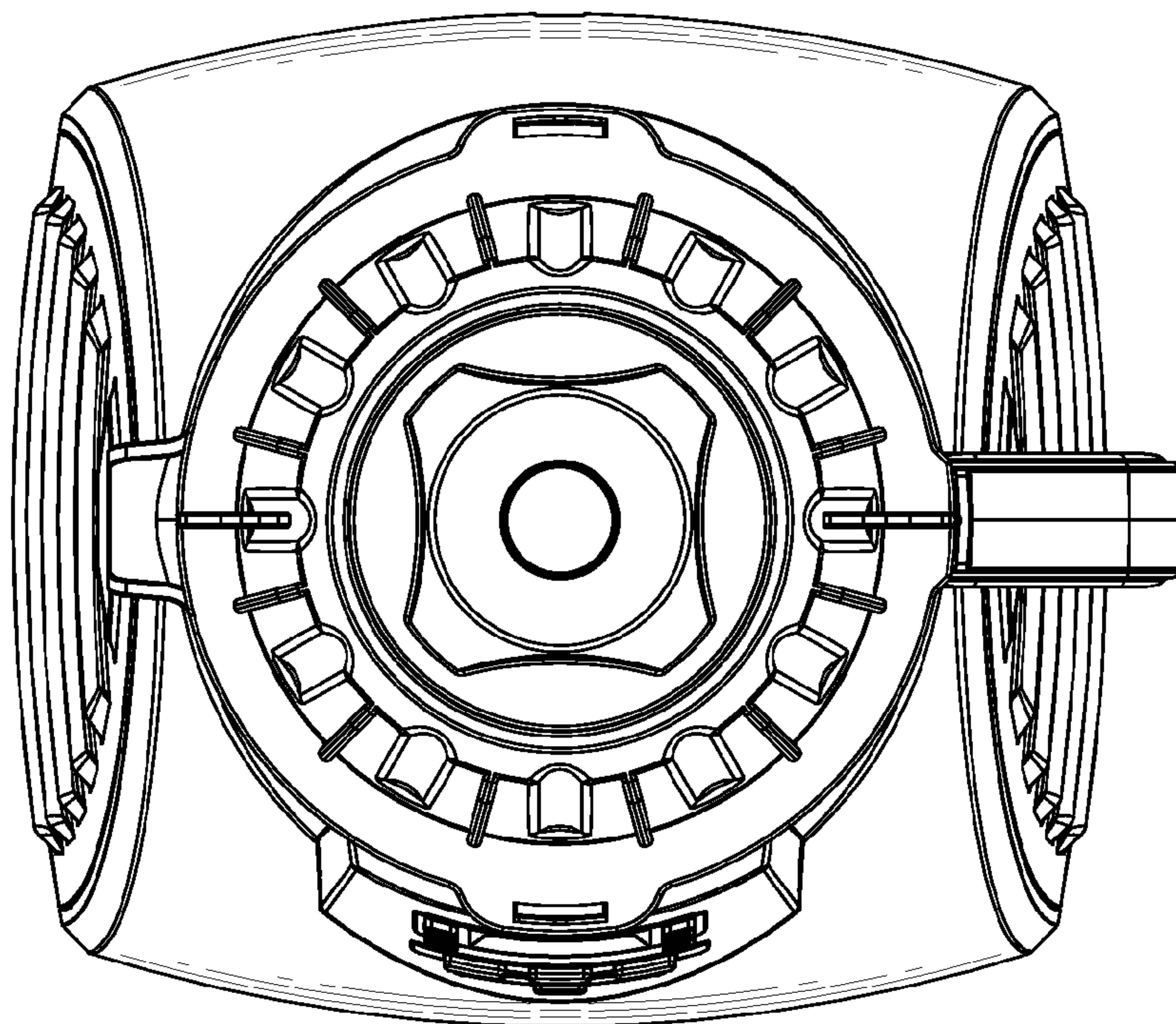


FIG. 5

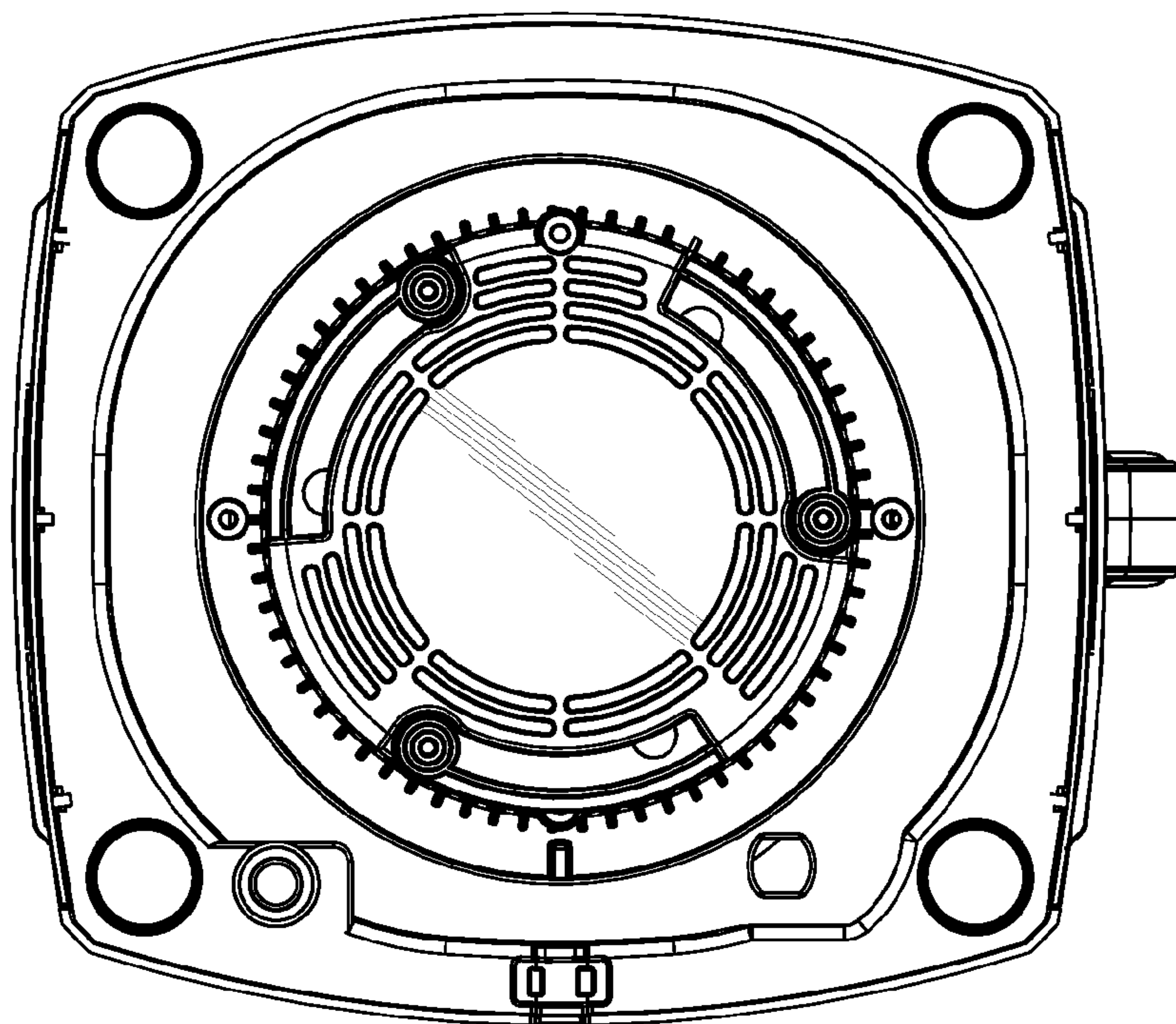


FIG. 6