



US00D638663S

(12) **United States Design Patent**
Fuller et al.

(10) **Patent No.:** **US D638,663 S**

(45) **Date of Patent:** **** May 31, 2011**

(54) **CUP HOLDER HOLSTER**

2002/0039417 A1* 4/2002 Walsh 379/454
* cited by examiner

(76) Inventors: **Kellie L. Fuller**, Kalamazoo, MI (US);
Lance Fuller, Kalamazoo, MI (US)

Primary Examiner — Terry A Wallace
(74) *Attorney, Agent, or Firm* — Gina T. Constant

(**) Term: **14 Years**

(21) Appl. No.: **29/356,330**

(57) **CLAIM**

The ornamental design for a cup holder holster, as shown and described.

(22) Filed: **Feb. 24, 2010**

(51) **LOC (9) Cl.** **07-06**

(52) **U.S. Cl.** **D7/620**

(58) **Field of Classification Search** D7/619.1–625,
D7/708.1; 224/148.6, 148.7, 674, 677, 679,
224/197, 148.5; 248/311.2, 314
See application file for complete search history.

DESCRIPTION

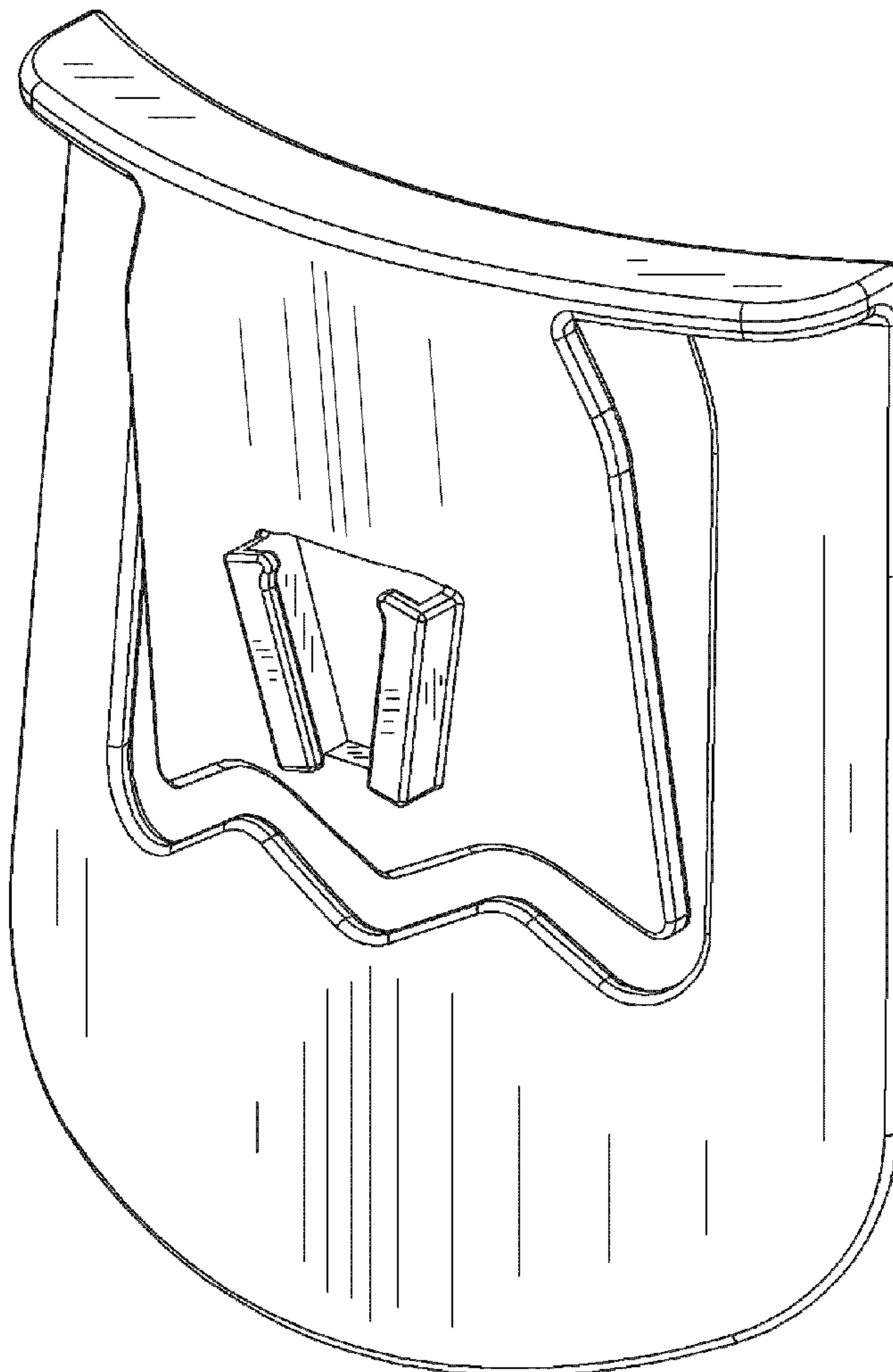
FIG. 1 is a front view
FIG. 2 is a front perspective view
FIG. 3 is a rear perspective view
FIG. 4 is a left side elevational view; and,
FIG. 5 is a top perspective view.
The right side elevational view is a mirror image of the left side.

(56) **References Cited**

U.S. PATENT DOCUMENTS

1,605,195 A * 11/1926 Lewis 224/148.6
4,858,869 A * 8/1989 Stang 248/311.2
D537,298 S * 2/2007 Crockett et al. D7/620

1 Claim, 5 Drawing Sheets



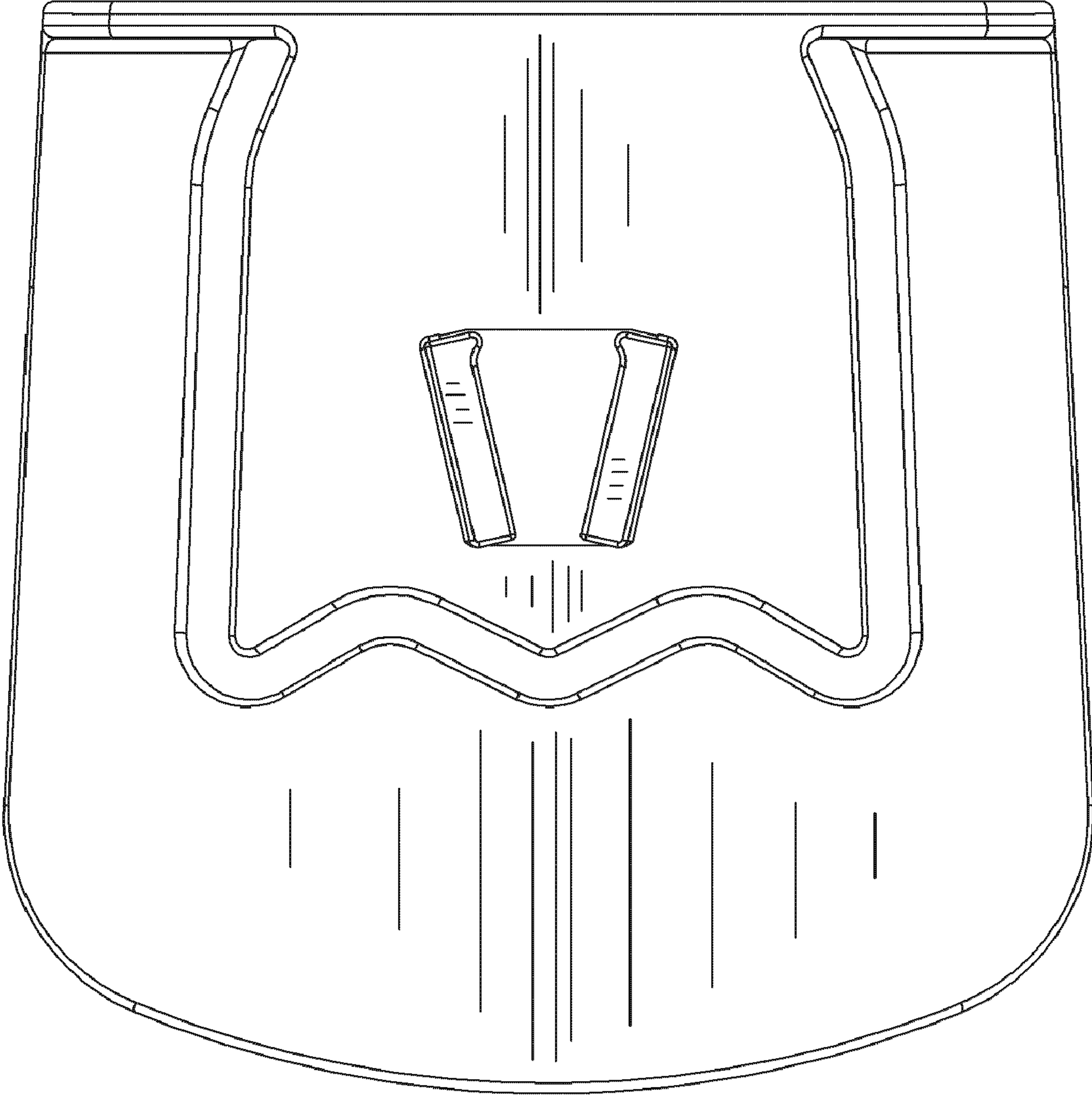


FIG.1

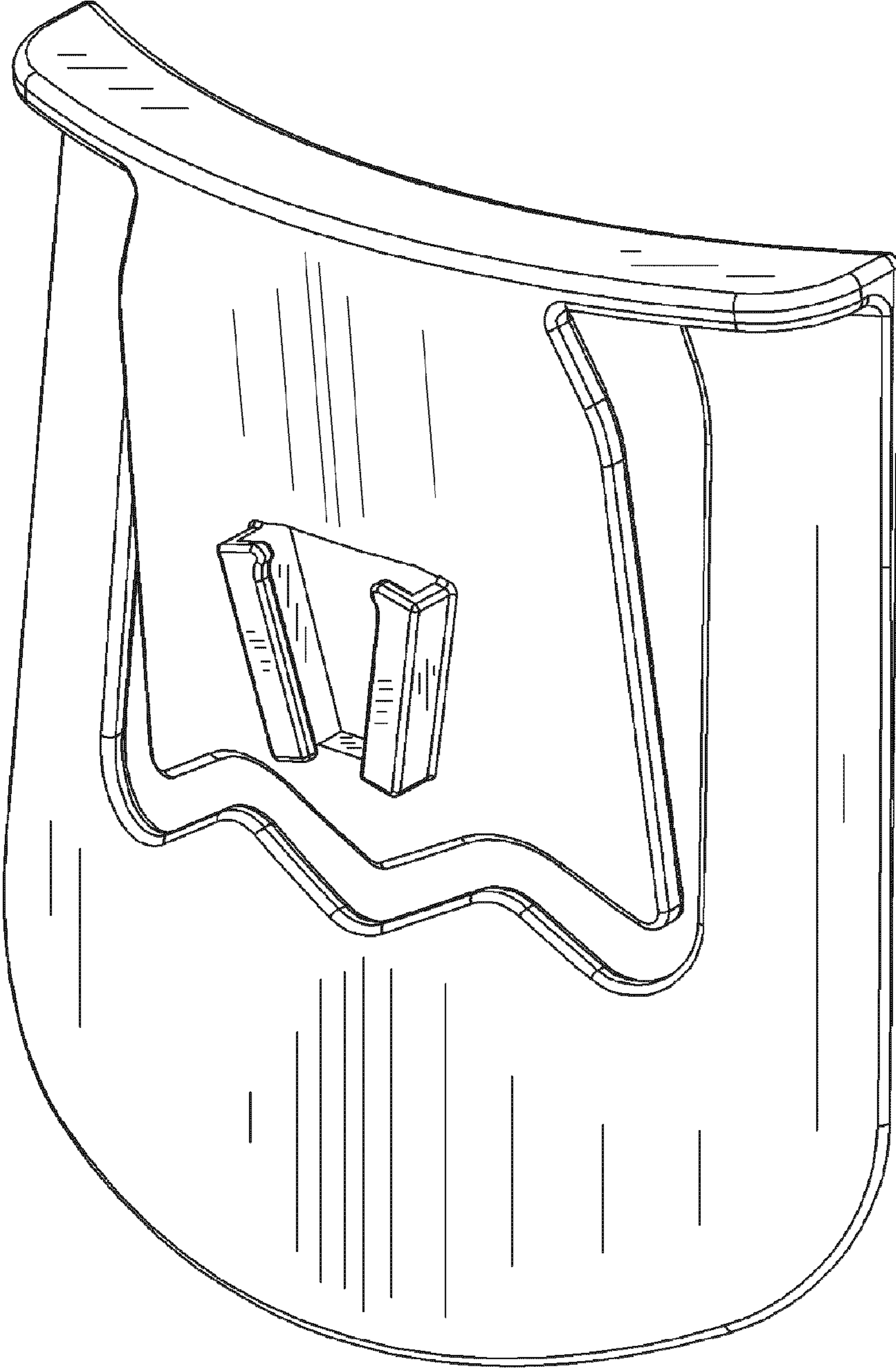


FIG.2

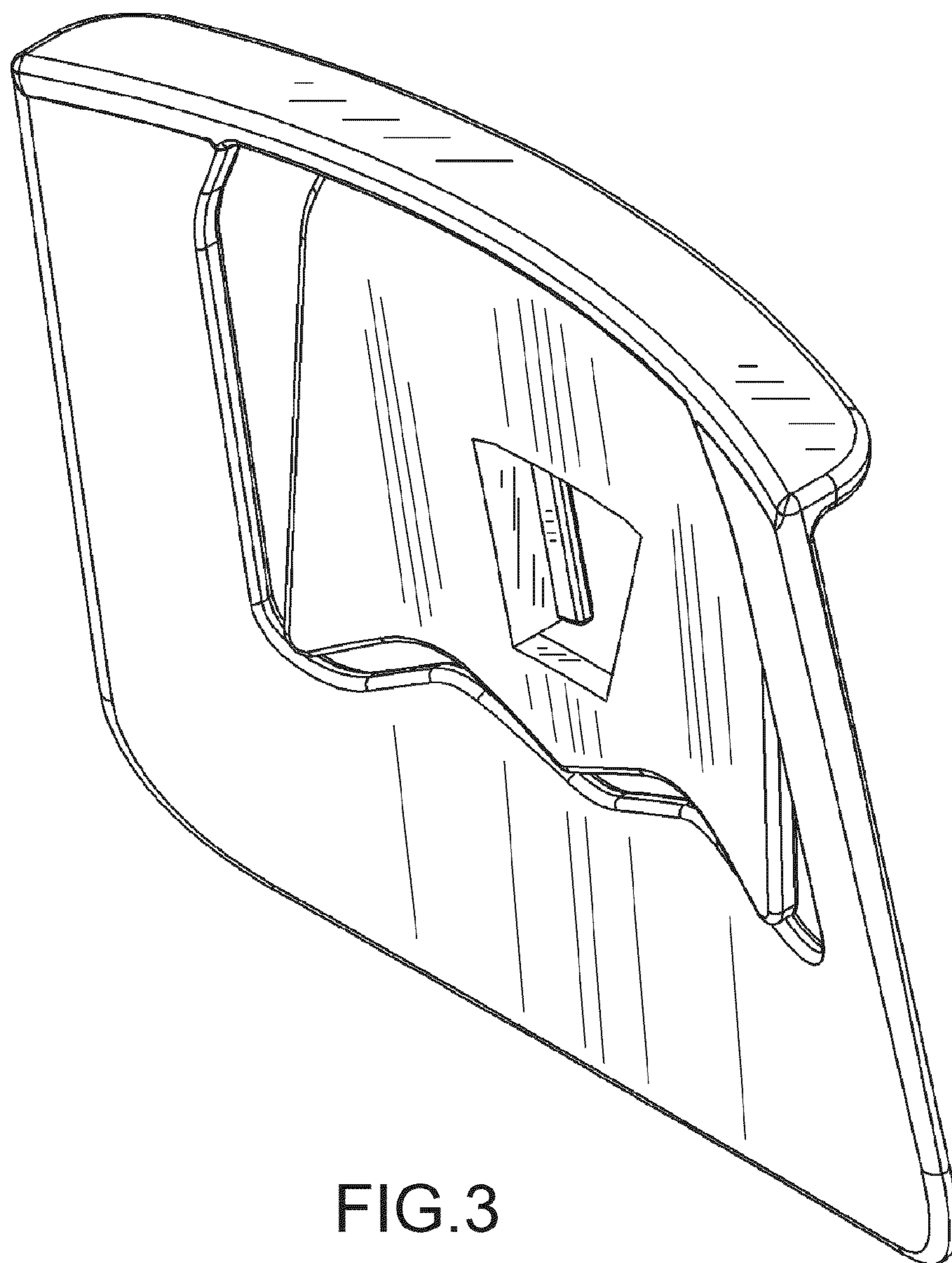


FIG.3

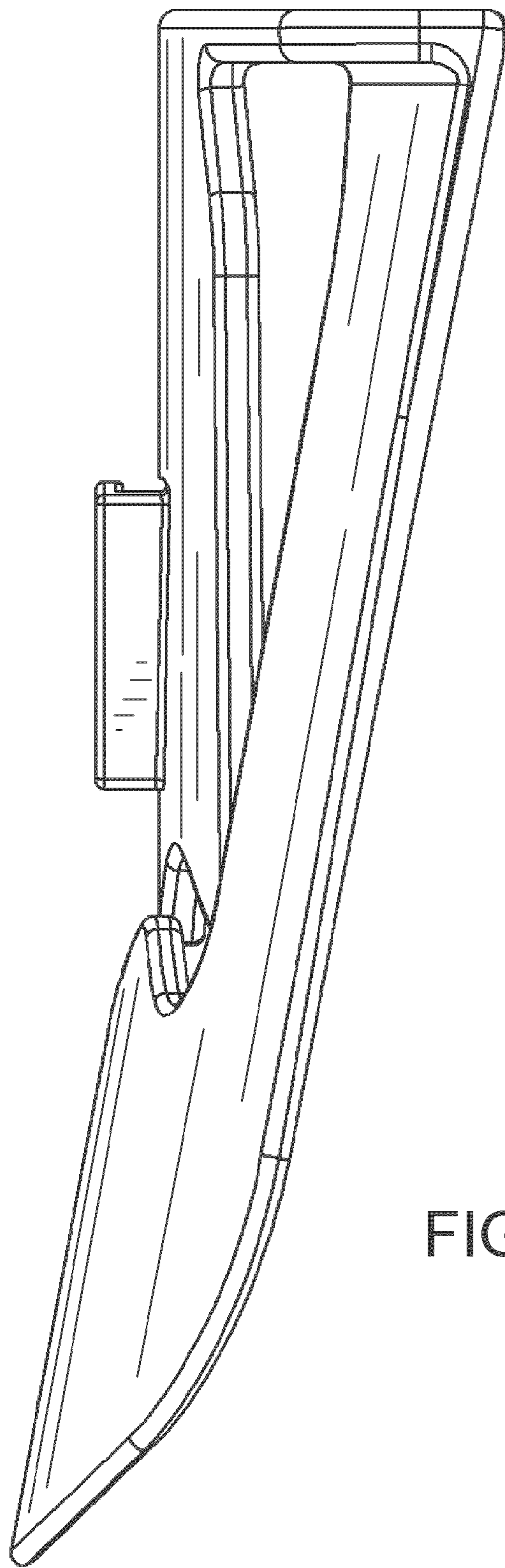


FIG.4

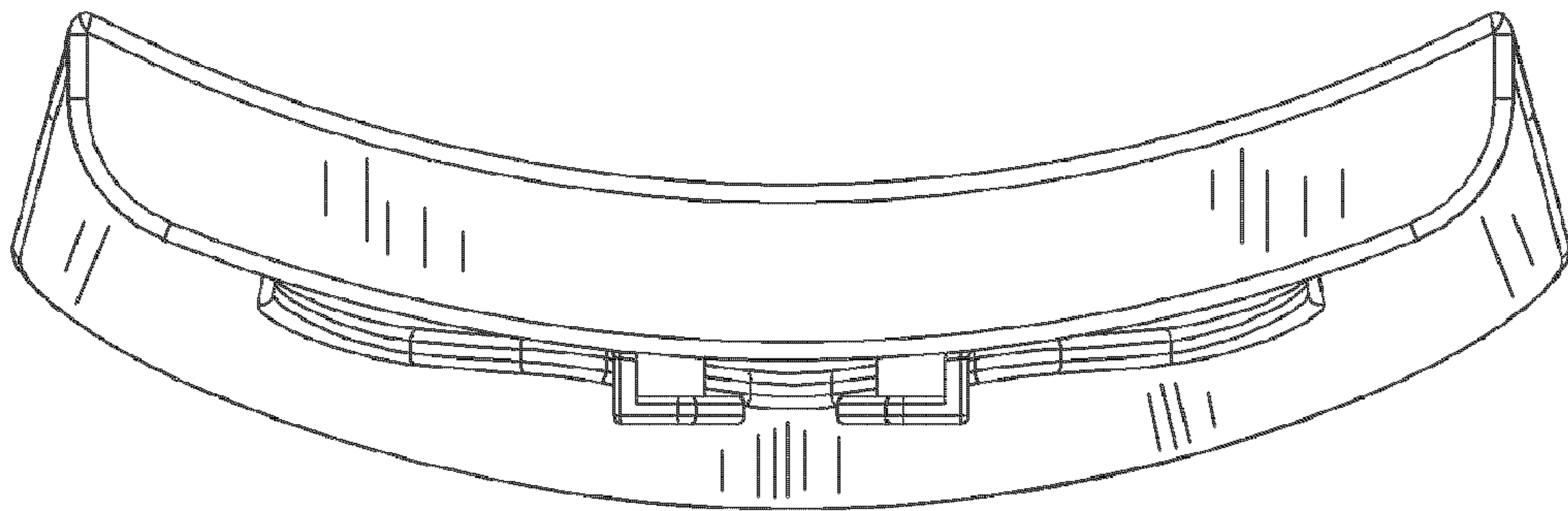


FIG.5