

US00D638662S

(12) **United States Design Patent**
Pyle

(10) **Patent No.:** **US D638,662 S**

(45) **Date of Patent:** **** May 31, 2011**

(54) **BOTTLE HOLDER**

(76) Inventor: **Ryan David Pyle**, Longmont, CO (US)

(**) Term: **14 Years**

(21) Appl. No.: **29/345,829**

(22) Filed: **Oct. 22, 2009**

(51) **LOC (9) Cl.** **07-06**

(52) **U.S. Cl.** **D7/620**

(58) **Field of Classification Search** D7/601,
D7/602, 605, 607, 608, 619.1, 619.2, 620,
D7/621, 622, 623, 624, 625, 387, 388, 701-708;
D12/419, 420; D19/86, 90, 91; 215/393-398;
248/309.1, 311.2, 121, 441.1, 447.1; 224/414,
224/926; 220/737-742, 694; 280/33.992
See application file for complete search history.

(56) **References Cited**

U.S. PATENT DOCUMENTS

2,550,554	A	*	4/1951	Griffin	224/197
D214,934	S	*	8/1969	Pitts	D6/567
D215,557	S	*	10/1969	Noren	D7/620
3,596,859	A	*	8/1971	MacDonald	248/214
4,334,661	A	*	6/1982	Pitt	248/146
D276,760	S	*	12/1984	Kesterson	D3/229
D289,961	S	*	5/1987	Hentrich	D7/620
D291,168	S	*	8/1987	Cranford	D7/620
4,767,092	A	*	8/1988	Weatherly	248/311.2
D299,804	S	*	2/1989	Normandin	D7/620
D303,057	S	*	8/1989	Smith	D7/620
4,865,237	A	*	9/1989	Allen	224/552
5,042,770	A	*	8/1991	Louthan	248/311.2
D331,862	S	*	12/1992	Brown	D7/620
D346,719	S	*	5/1994	Blaabjerg	D7/620
D363,003	S	*	10/1995	Everhart et al.	D7/620

D367,210	S	*	2/1996	McKenny	D7/620
D373,934	S	*	9/1996	Morris	D7/620
D379,288	S	*	5/1997	Azar	D7/620
D445,688	S	*	7/2001	Webb	D7/620
D517,314	S	*	3/2006	Moyer	D3/229
D542,602	S	*	5/2007	Morford	D7/620
D548,536	S	*	8/2007	Ellis	D7/620
D559,043	S	*	1/2008	Peota et al.	D7/620
D570,162	S	*	6/2008	Blais	D7/620
D600,067	S	*	9/2009	Forsyth	D7/387
D612,691	S	*	3/2010	Barnes, Jr.	D7/620
D617,152	S	*	6/2010	Vondette	D7/620
D625,150	S	*	10/2010	Ciarrocchi, Jr.	D7/600.1
D625,512	S	*	10/2010	Blaney	D3/215

* cited by examiner

Primary Examiner — Stella M Reid

Assistant Examiner — Elizabeth J Oswecki

(74) *Attorney, Agent, or Firm* — Patton Boggs LLP

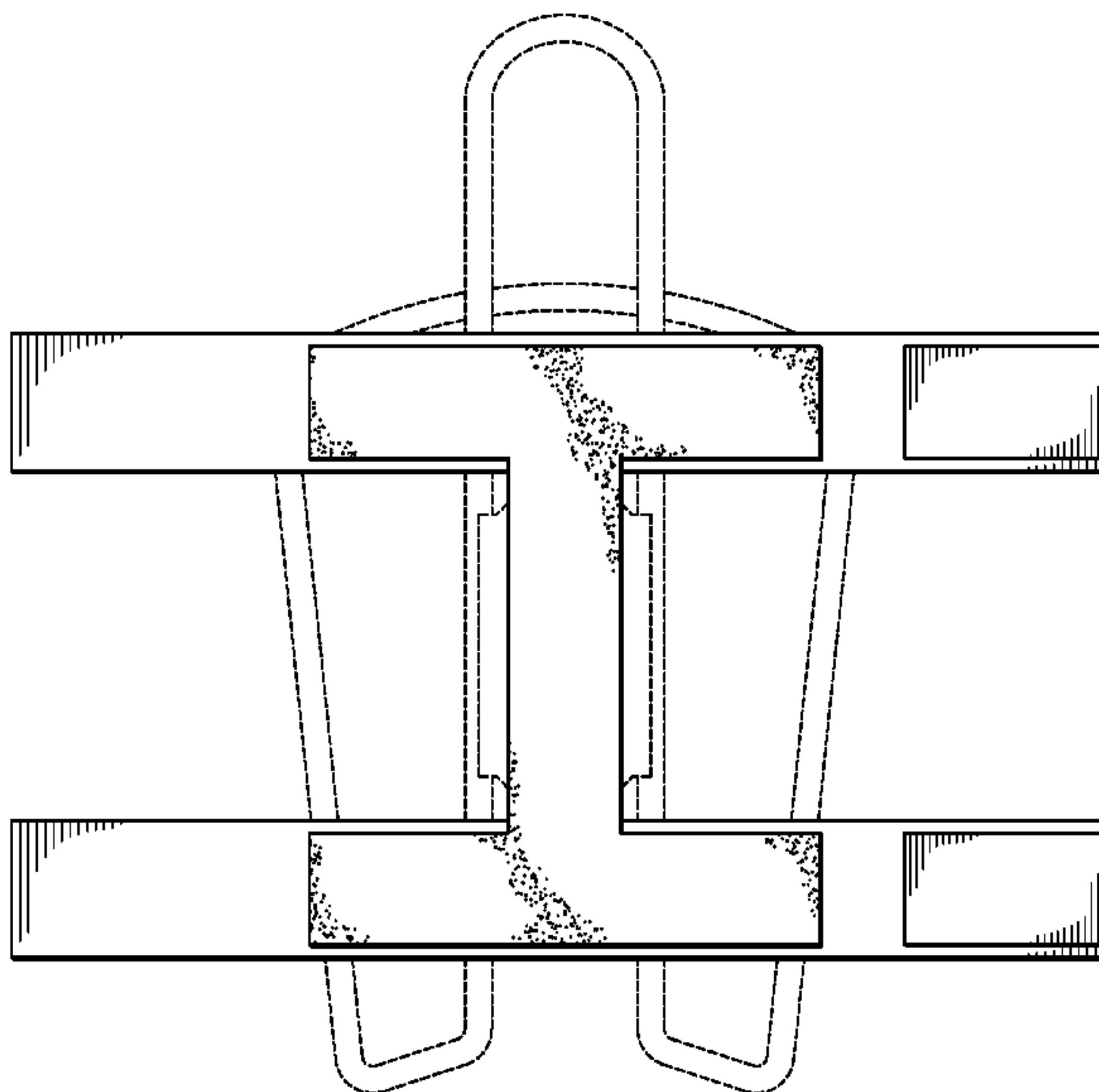
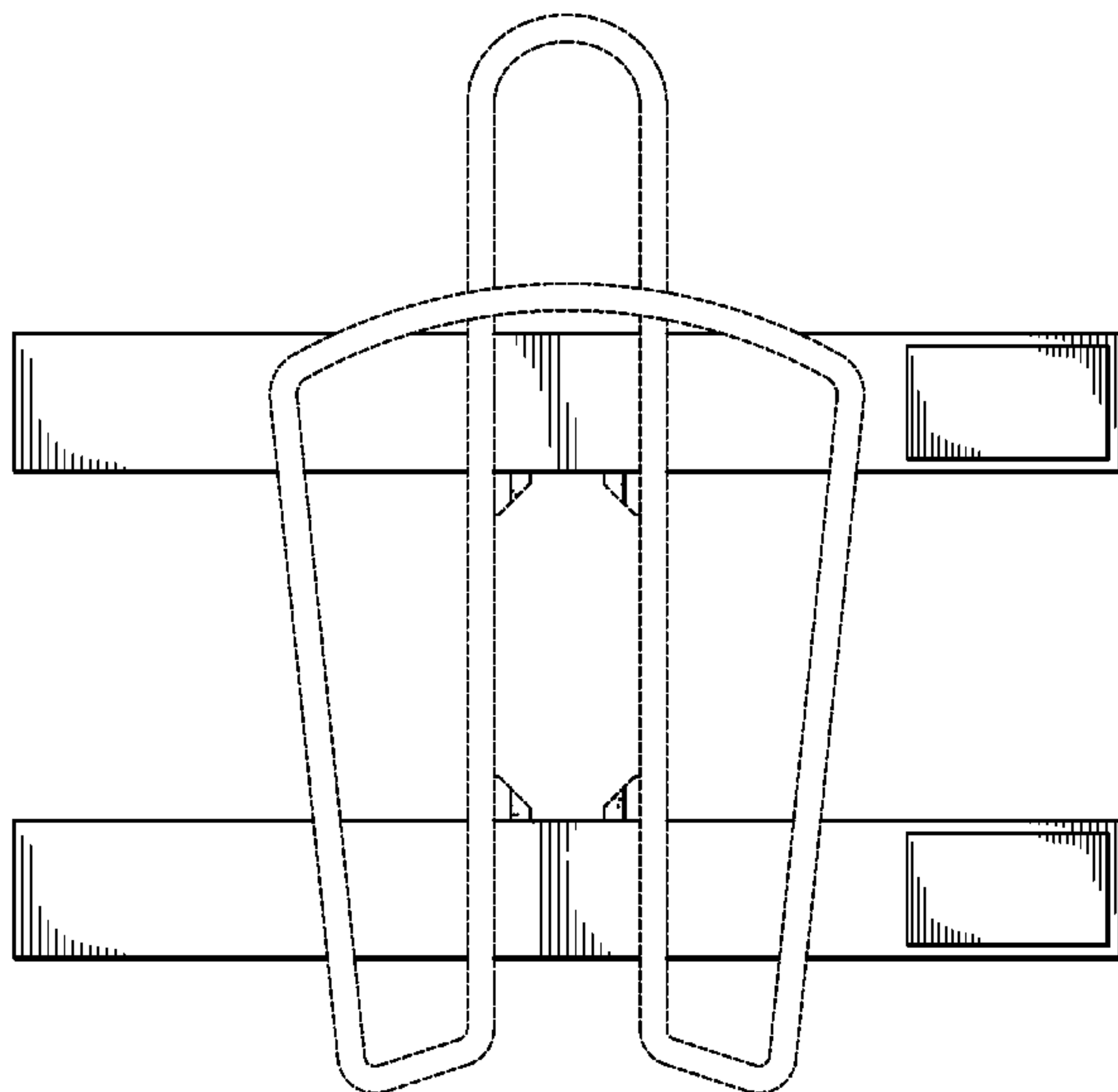
(57) **CLAIM**

The ornamental design for bottle holder, as shown and described.

DESCRIPTION

FIG. 1 is a left side front perspective view of a bottle holder showing my new design;
FIG. 2 is a left side front perspective view of the bottle holder of FIG. 1;
FIG. 3 is a front view of the bottle holder of FIG. 1;
FIG. 4 is a left side view of the bottle holder of FIG. 1;
FIG. 5 is a right side view of the bottle holder of FIG. 1;
FIG. 6 is a rear view of the bottle holder of FIG. 1;
FIG. 7 is a top view of the bottle holder of FIG. 1; and,
FIG. 8 is a bottom view of the bottle holder of FIG. 1.

1 Claim, 5 Drawing Sheets



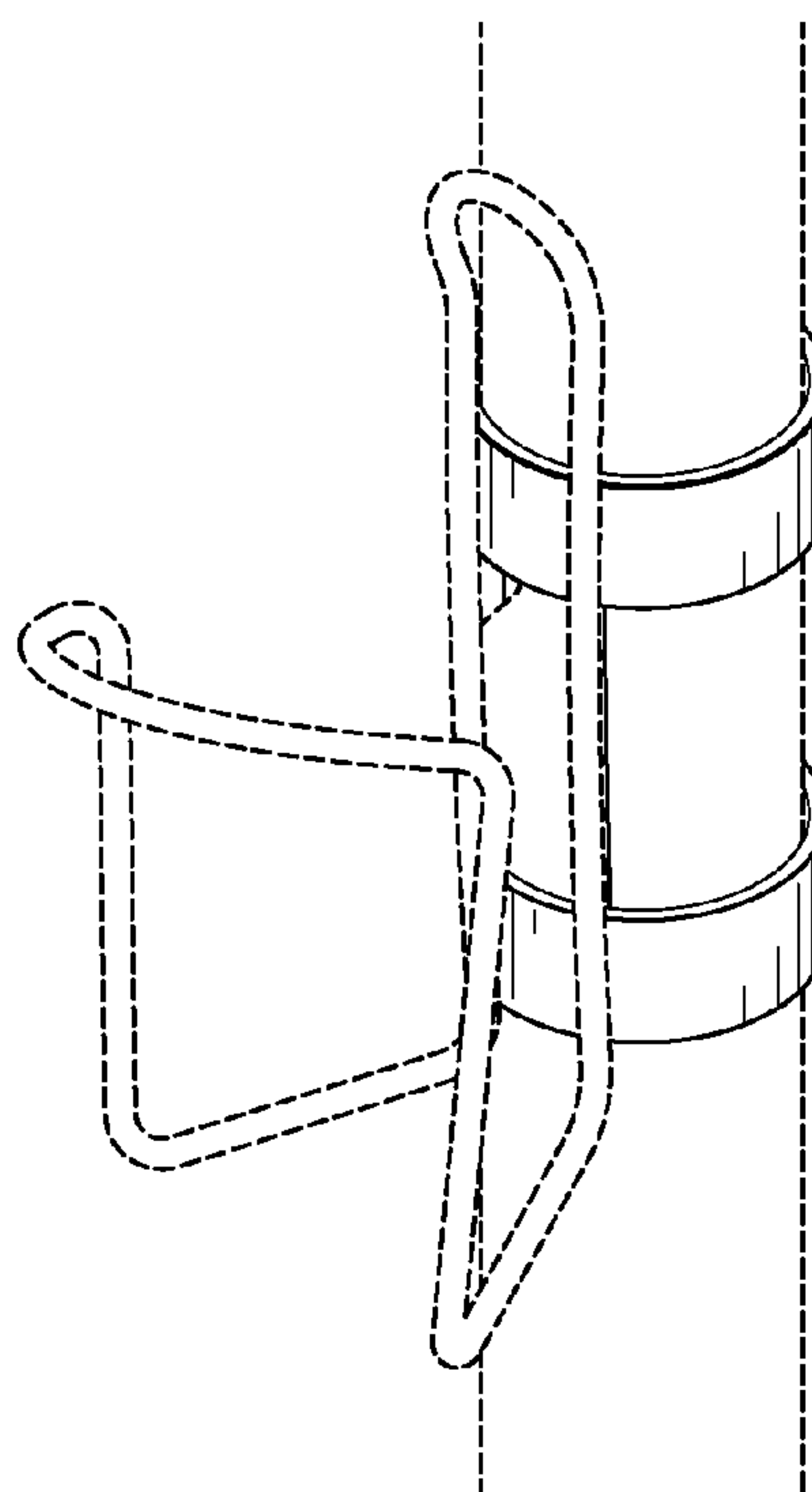


FIG. 1

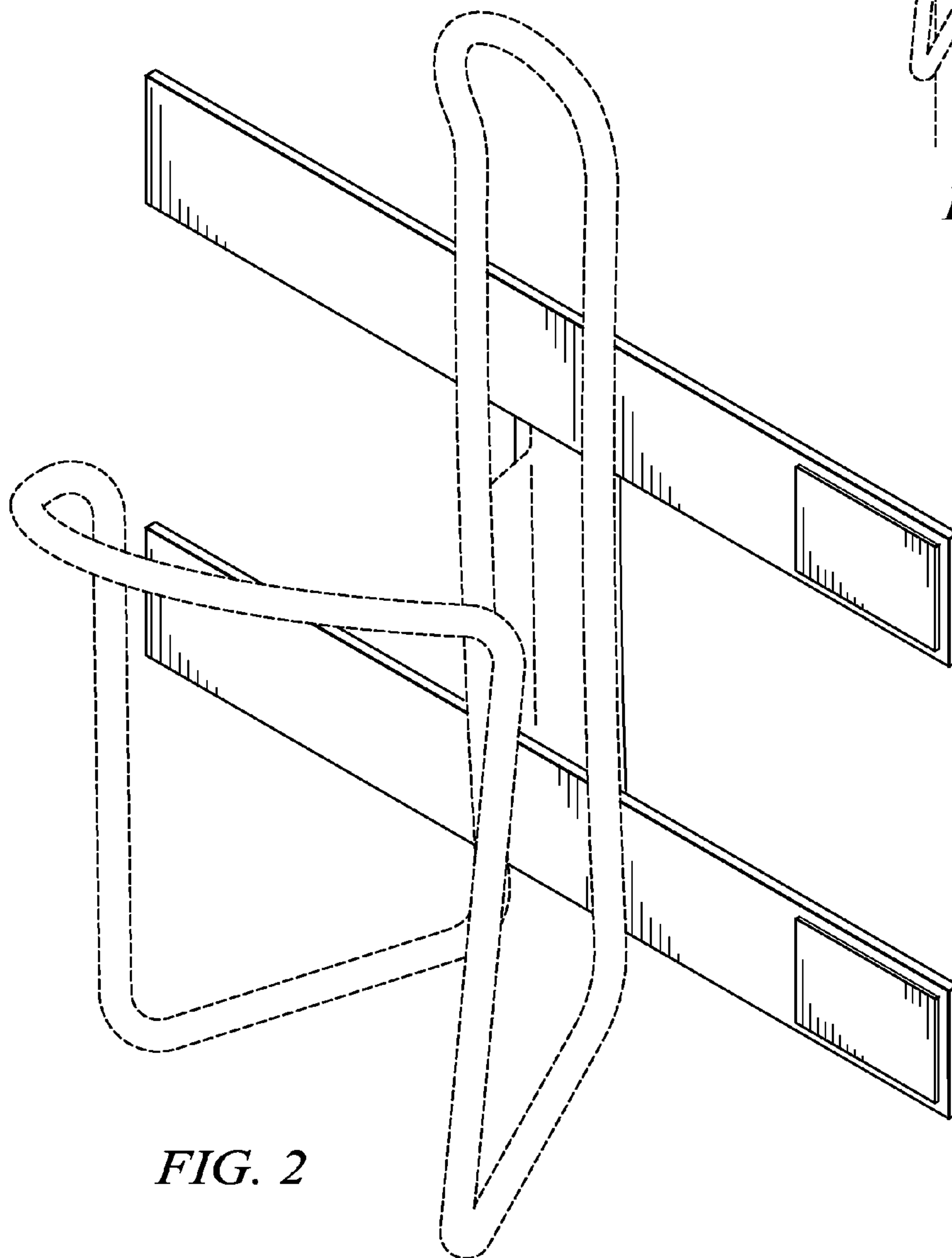


FIG. 2

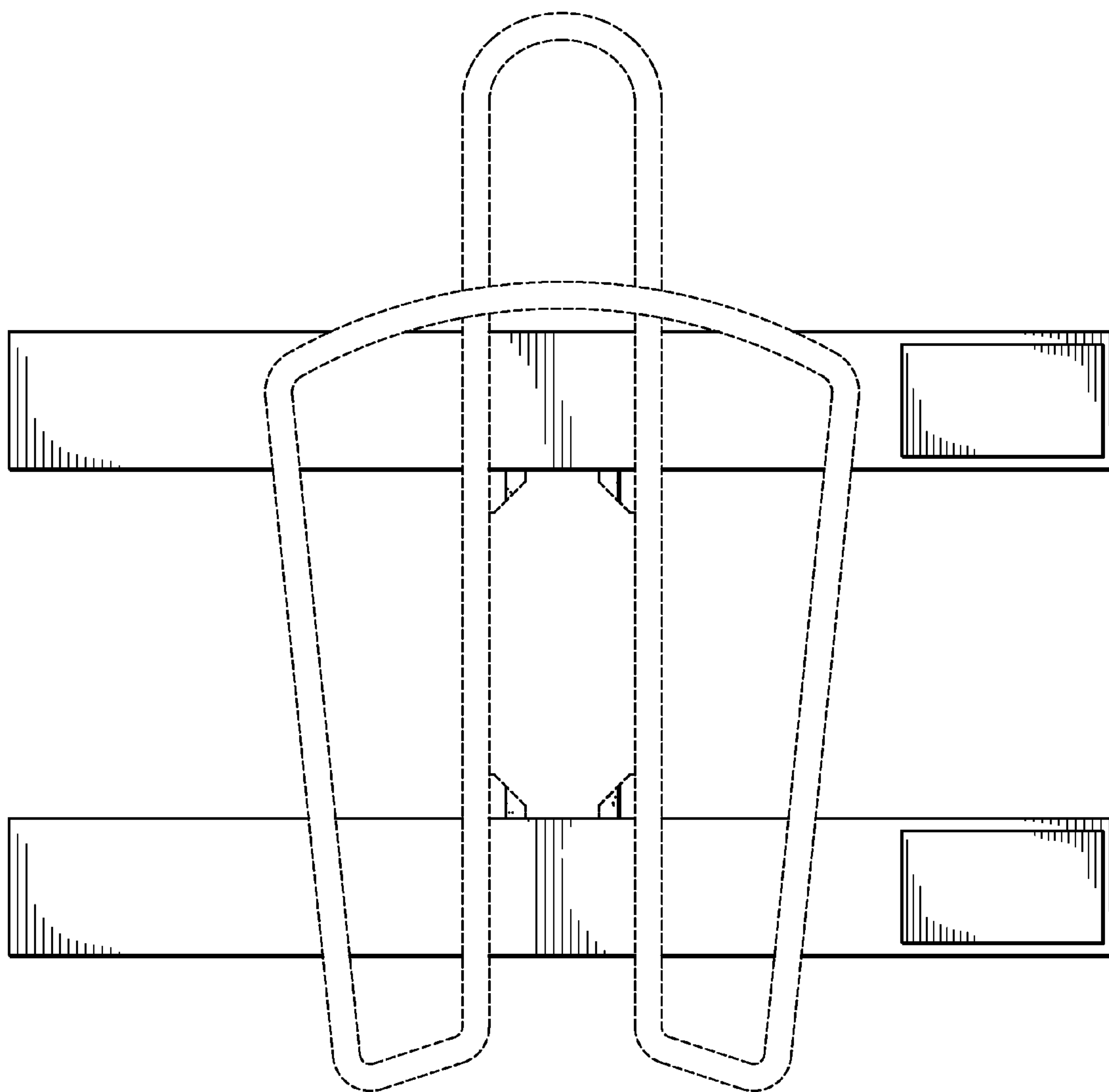


FIG. 3

FIG. 5

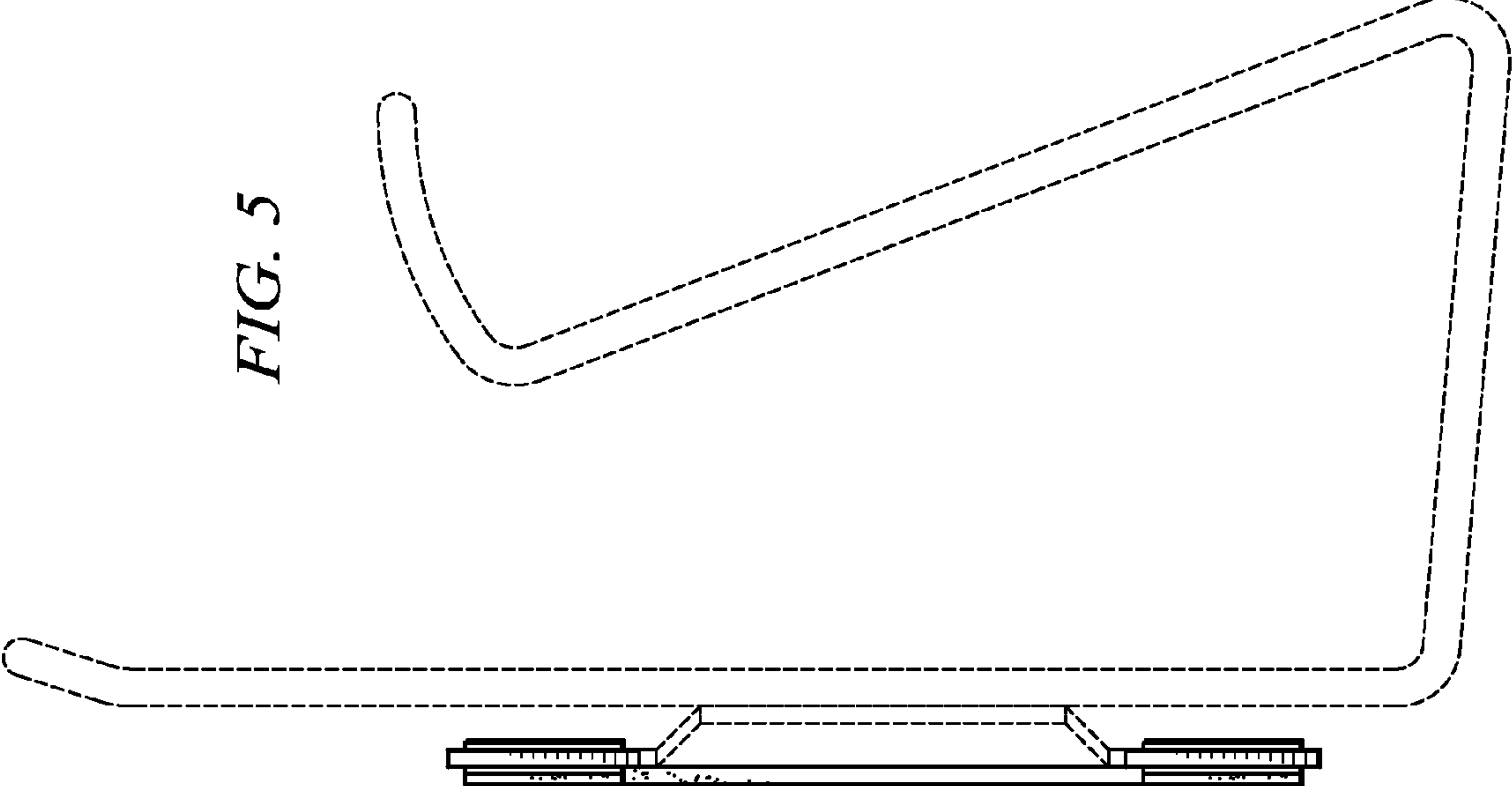
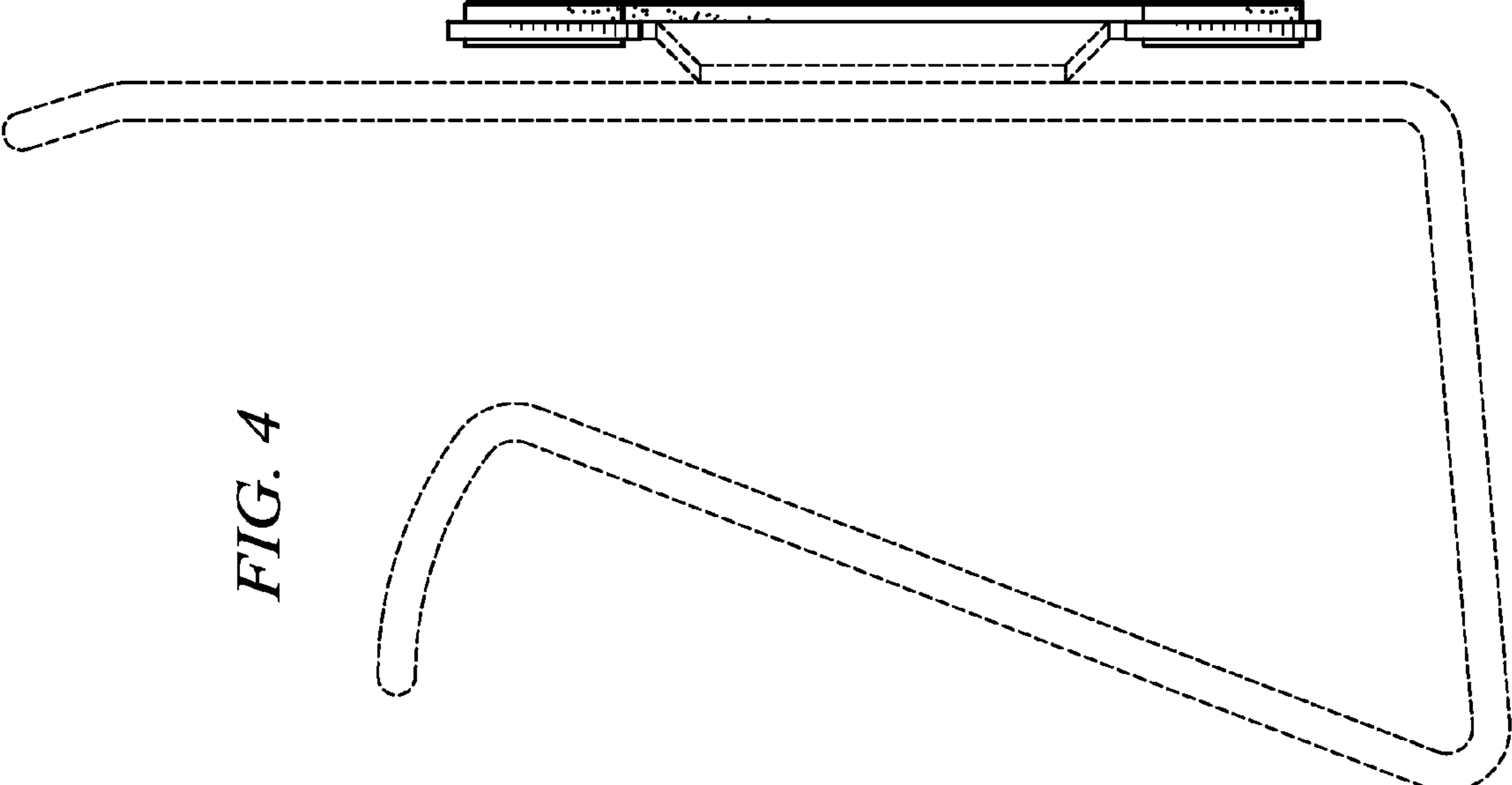


FIG. 4



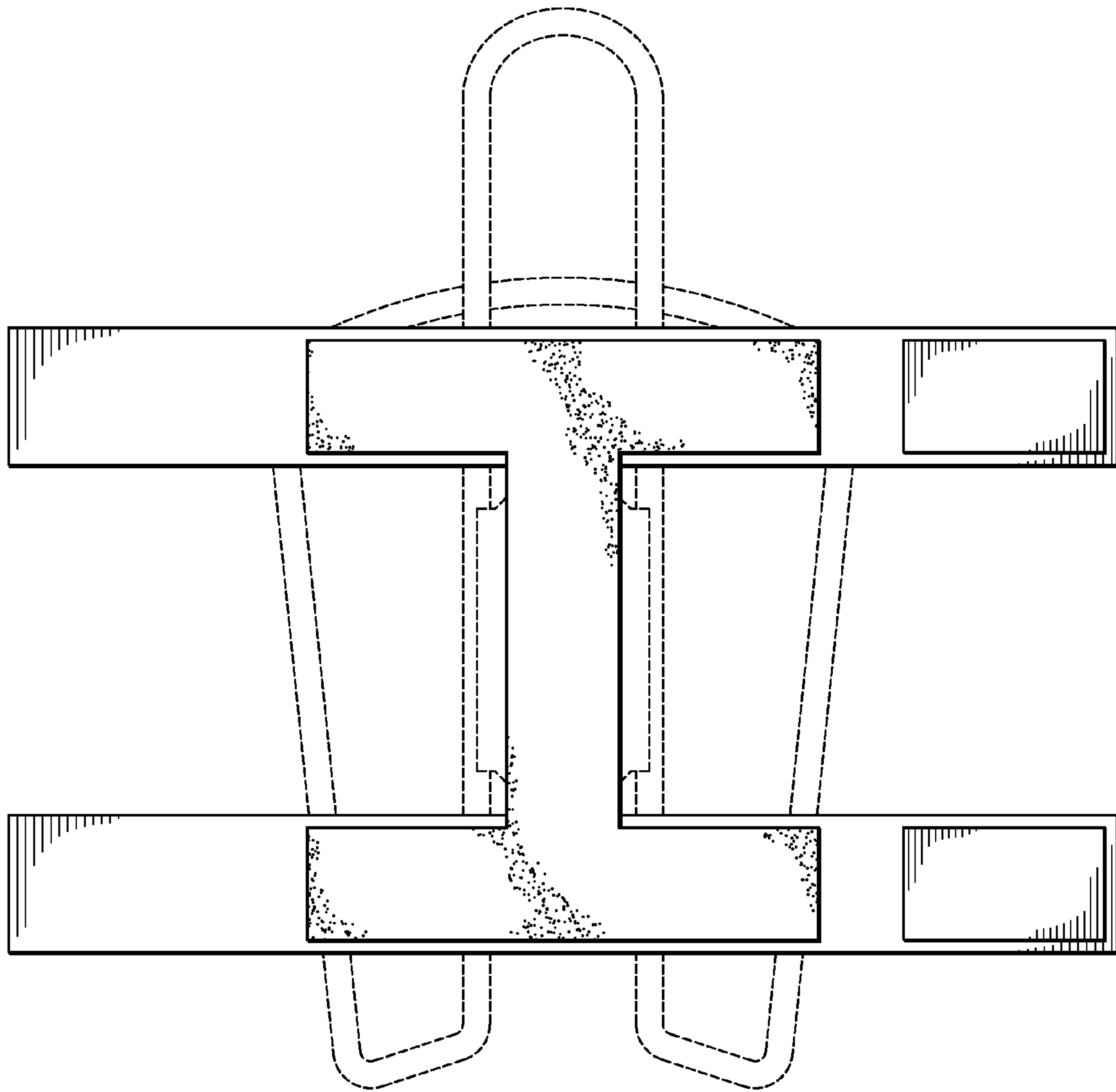


FIG. 6

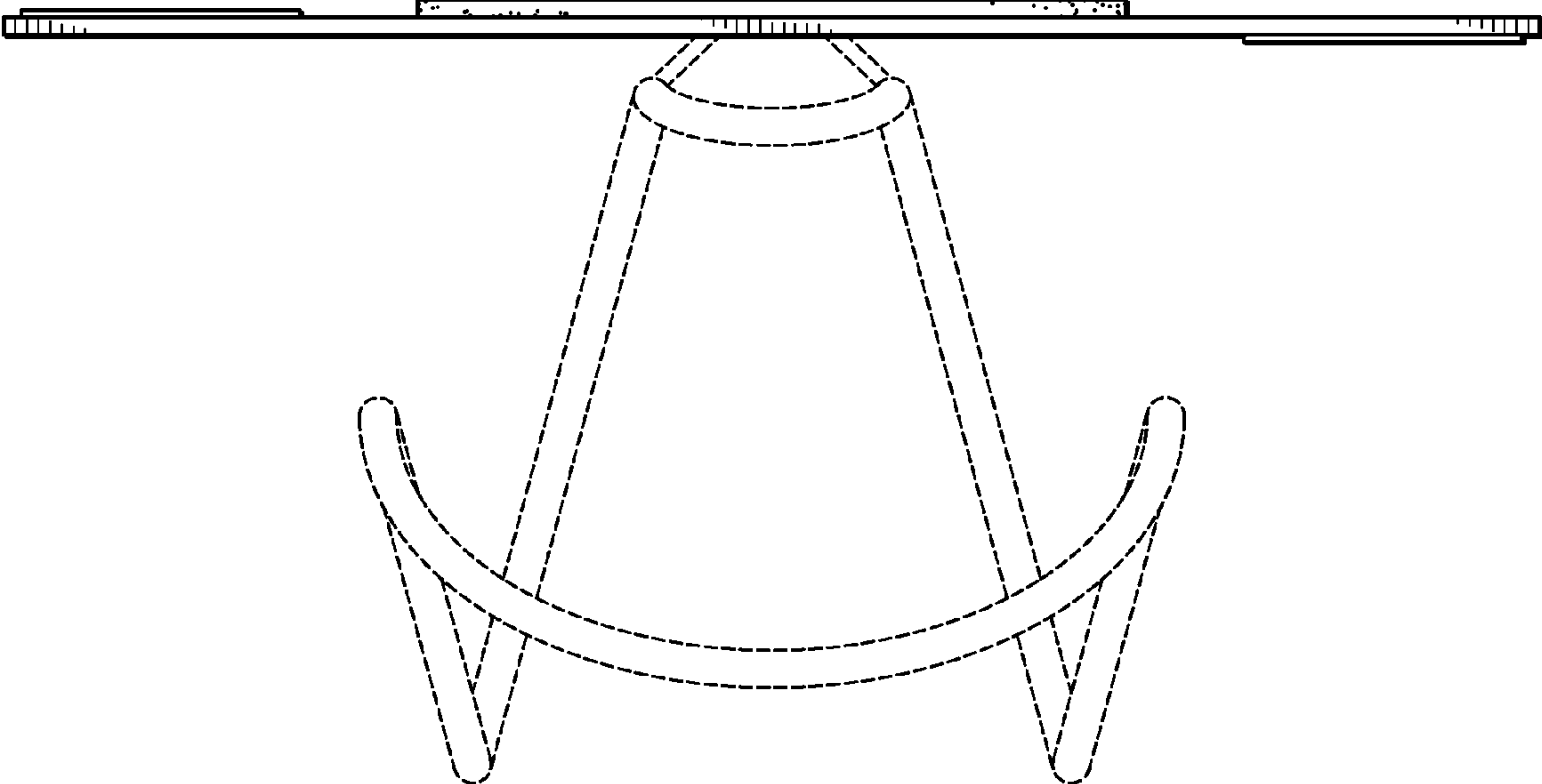


FIG. 7

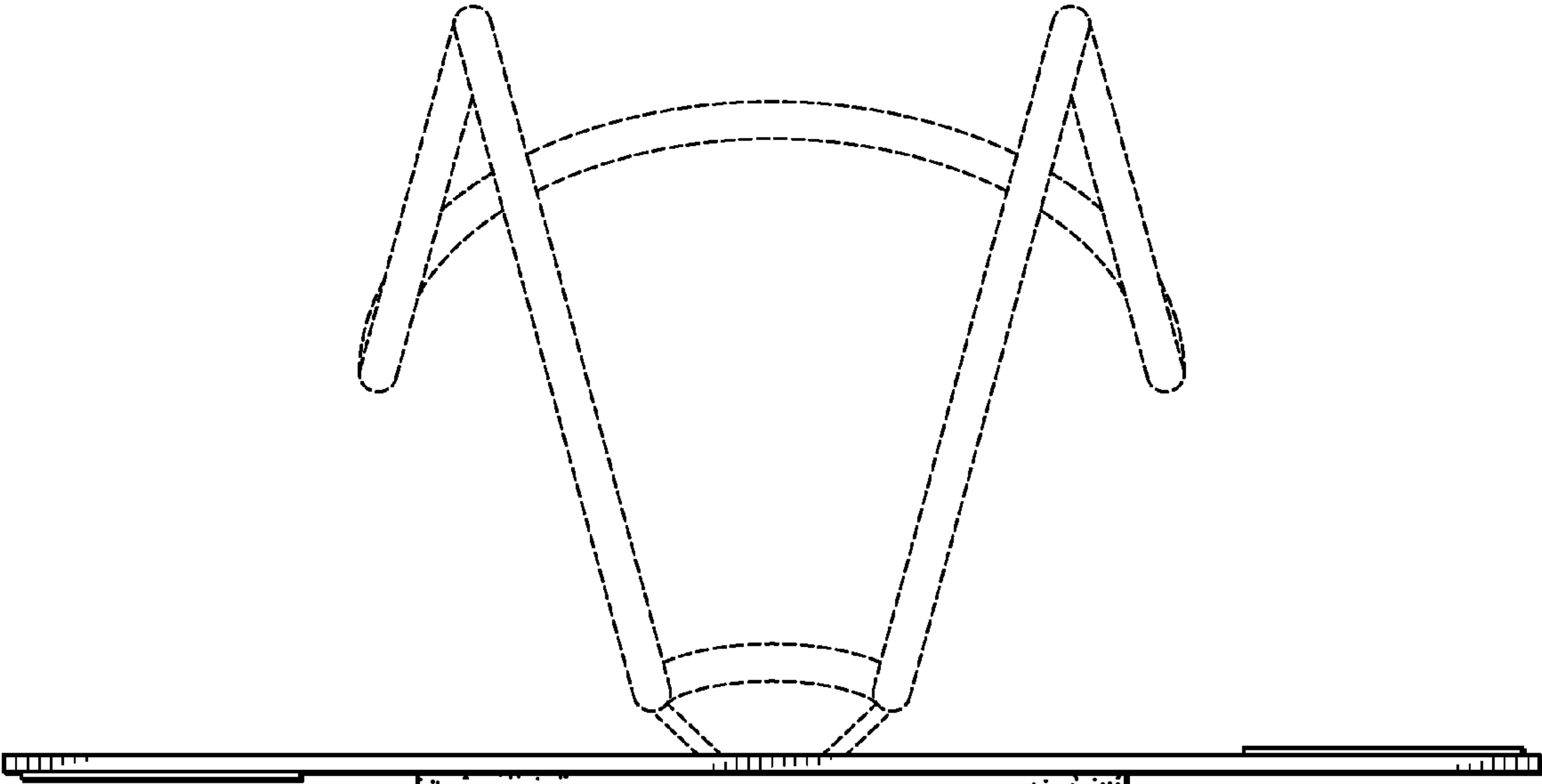


FIG. 8