



US00D638660S

(12) **United States Design Patent**
Ayers, III

(10) **Patent No.:** **US D638,660 S**

(45) **Date of Patent:** **** May 31, 2011**

(54) **FOOTBALL-SHAPED GRILL**

(76) Inventor: **Howard E. Ayers, III**, Santa Rosa Beach, FL (US)

(**) Term: **14 Years**

(21) Appl. No.: **29/352,222**

(22) Filed: **Dec. 17, 2009**

(51) **LOC (9) Cl.** **07-02**

(52) **U.S. Cl.** **D7/402**

(58) **Field of Classification Search** D7/332,
D7/334-336, 402-404, 408; 126/25 R, 25 A,
126/25 AA, 41 R, 29-30, 9 R, 9 B, 38, 37 R,
126/40, 50; 99/359, 344, 446-449, 473,
99/481-482, 419, 421 HV, 421 R, 421 H

See application file for complete search history.

(56) **References Cited**

U.S. PATENT DOCUMENTS

D314,882 S *	2/1991	Bethel, Jr.	D7/334
D373,282 S *	9/1996	Cordero	D7/334
D385,146 S *	10/1997	Fielding et al.	D7/332
D396,599 S *	8/1998	Smith, Jr.	D7/332
D421,200 S *	2/2000	Taylor, Jr.	D7/332
D425,367 S *	5/2000	Cragg	D7/402
D435,998 S *	1/2001	Mak	D7/332
D465,381 S *	11/2002	Favela	D7/334
D465,694 S *	11/2002	Favela	D7/334
D465,962 S *	11/2002	Favela	D7/335
D482,230 S *	11/2003	Lai	D7/332
D517,365 S *	3/2006	Huang	D7/332
D563,148 S *	3/2008	Henry	D7/334
2004/0094140 A1 *	5/2004	McNair	126/25 R

OTHER PUBLICATIONS

“The Football Grill”, retrieved from internet: http://www.likecool.com/The_Football_Grill--Outdoor--Home.html. Date: Sep 5, 2007.*

2 pages of search results for “football grill” from Google Images website retrieved on Dec. 8, 2009. (<http://images.google.com/images?hl=en&source=hp.ved=0CDcQsAQwBg&ei=dbseS6CpD9GXtgeXmK2fCg&gbv=1>).

* cited by examiner

Primary Examiner — Ruth McInroy

(74) *Attorney, Agent, or Firm* — Kenneth M. Bush; Bush Intellectual Property Law

(57) **CLAIM**

I claim the ornamental design for a football-shaped grill, as shown and described.

DESCRIPTION

FIG. 1 is a perspective view of a football-shaped grill showing my new design, wherein the vent openings are shown closed; FIG. 2 is a perspective view thereof with the vent openings shown partially opened;

FIG. 3 is a front elevational view thereof;

FIG. 4 is a rear elevational view thereof;

FIG. 5 is a top plan view thereof;

FIG. 6 is a bottom plan view thereof;

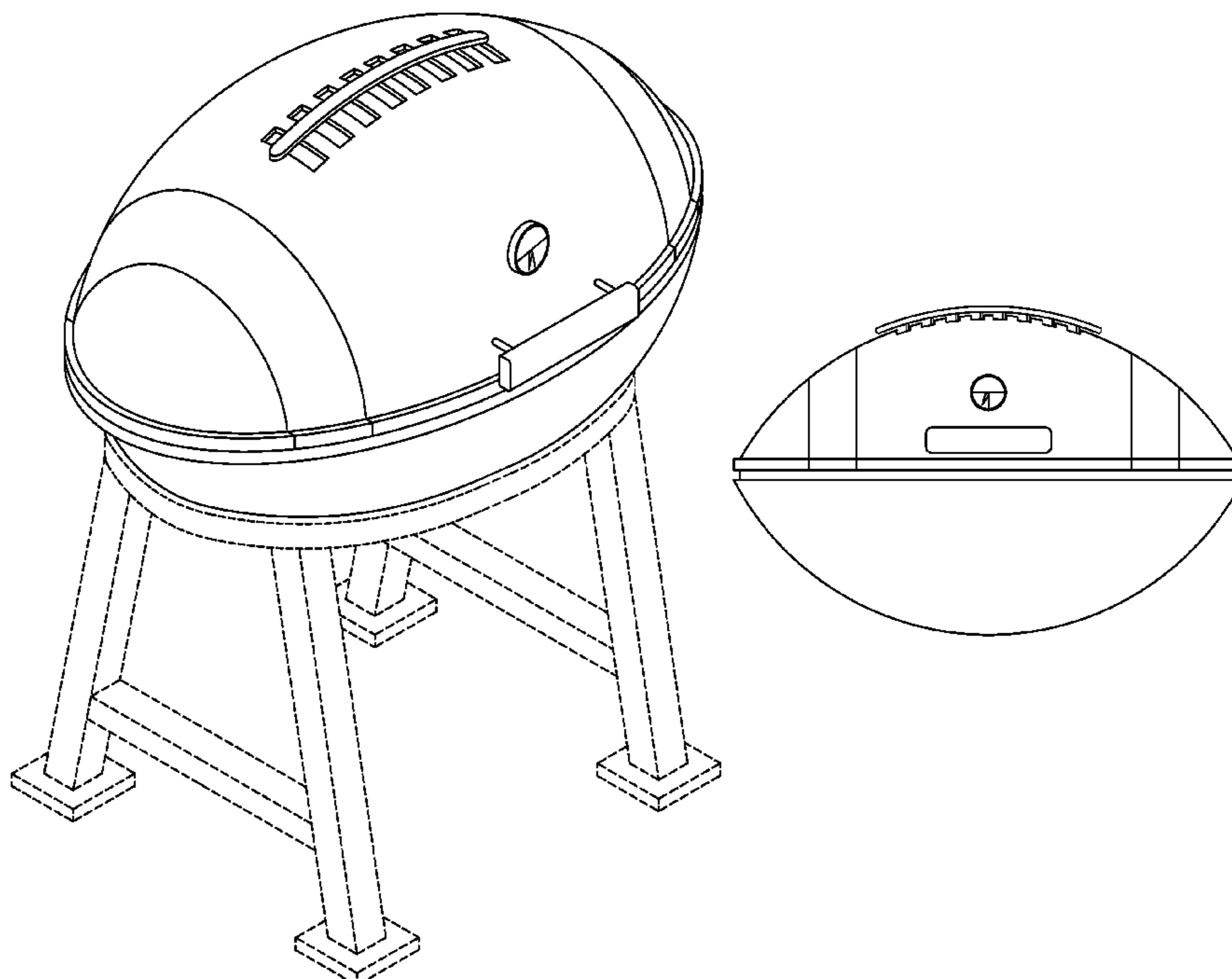
FIG. 7 is a left side elevational view thereof;

FIG. 8 is a right side elevational view thereof; and,

FIG. 9 is a top plan view thereof with the grill lid shown pivoted open.

In the drawings, the broken lines are for illustrative purposes only and form no part of the claimed design. In FIG. 2, the stippling is for shading purposes.

1 Claim, 6 Drawing Sheets



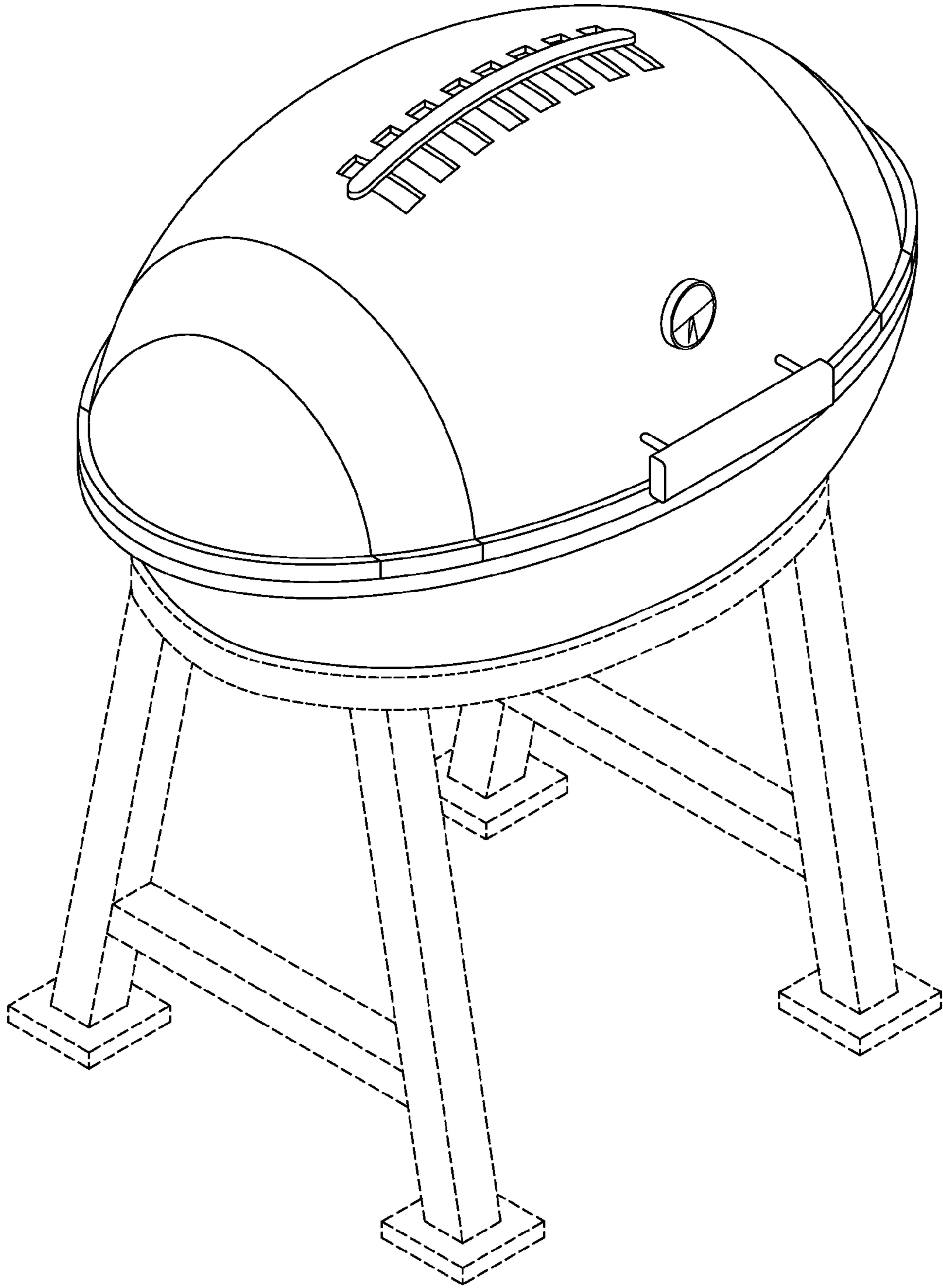


FIG. 1

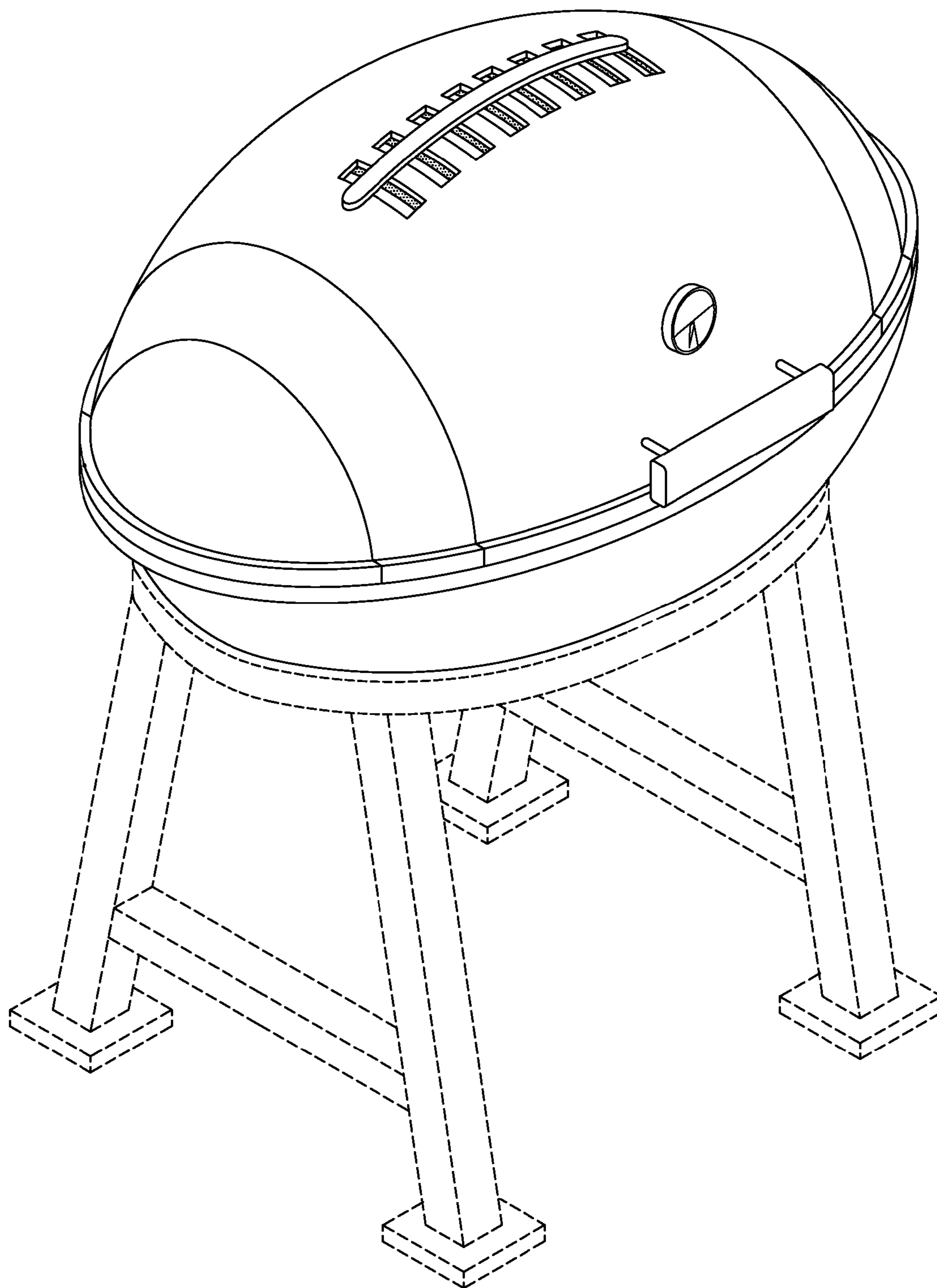


FIG. 2

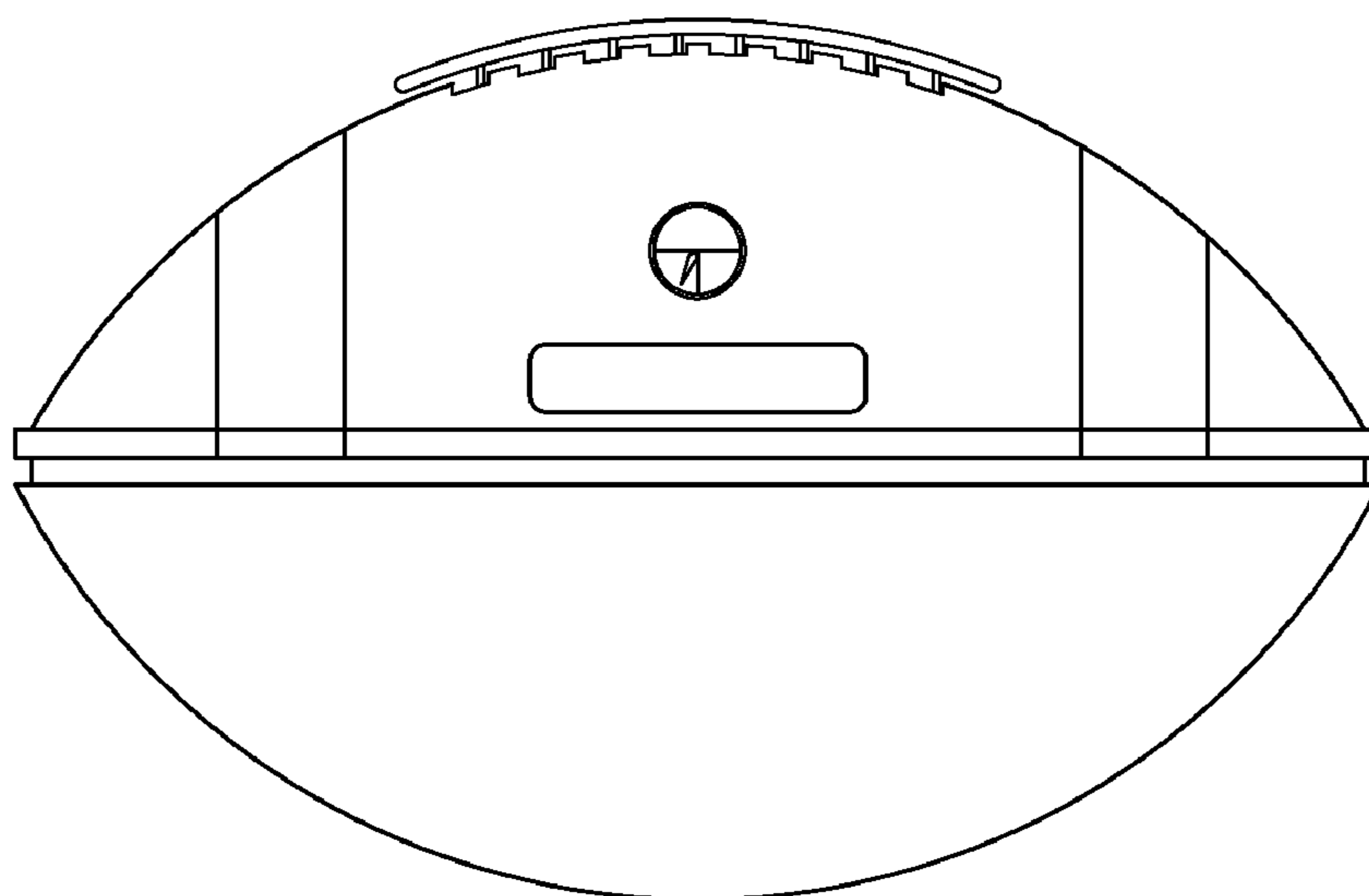


FIG. 3

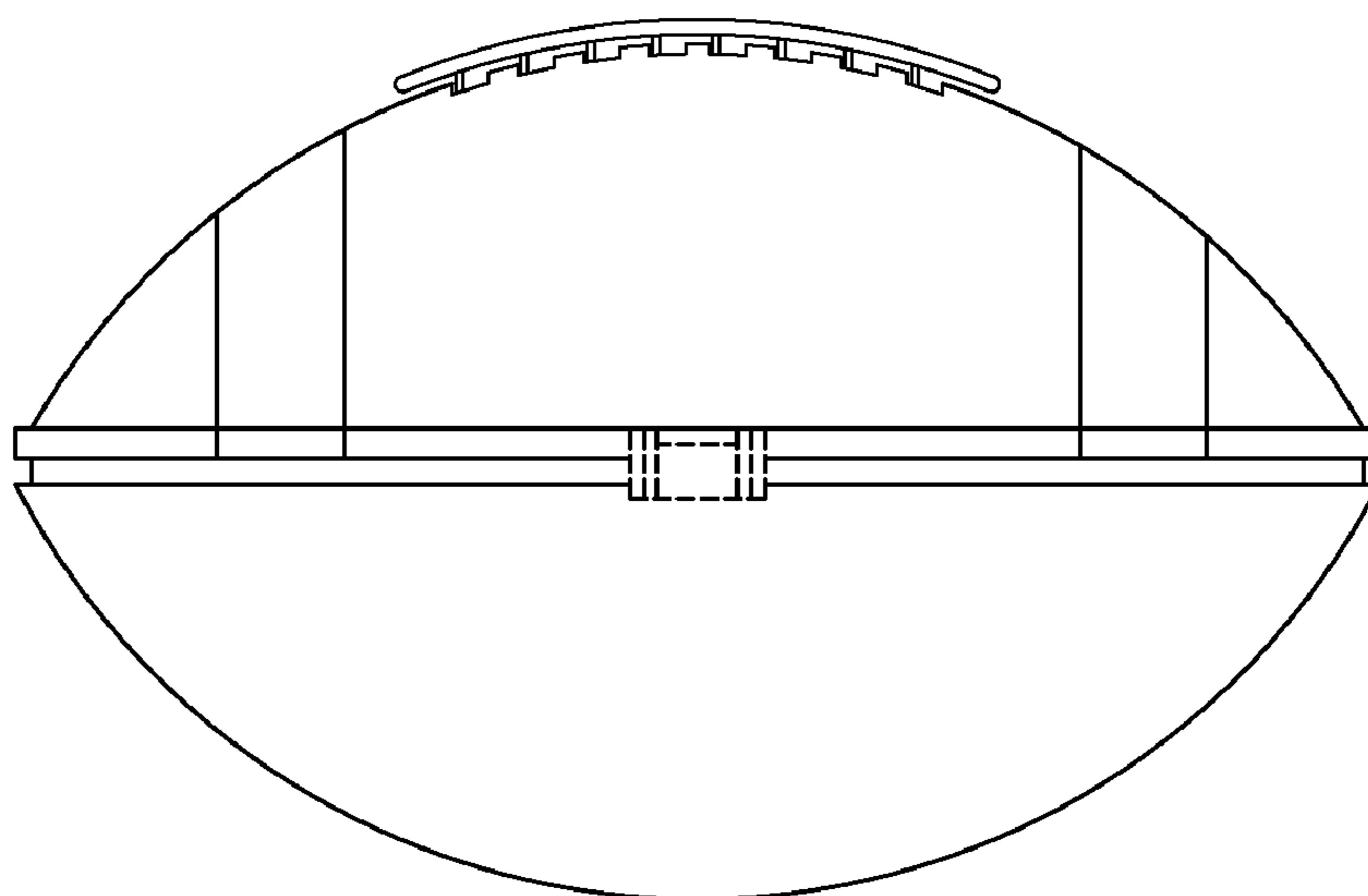


FIG. 4

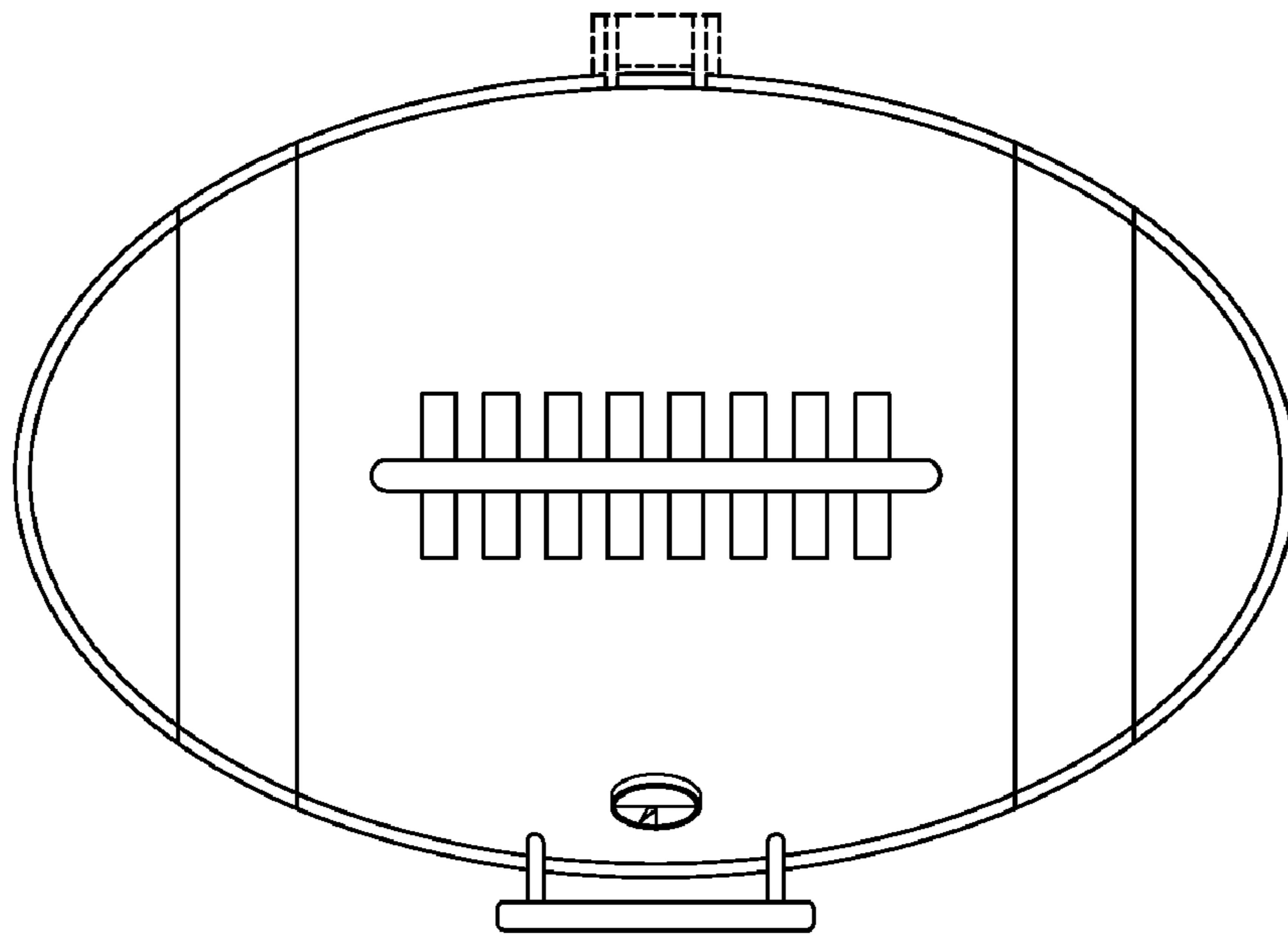


FIG. 5

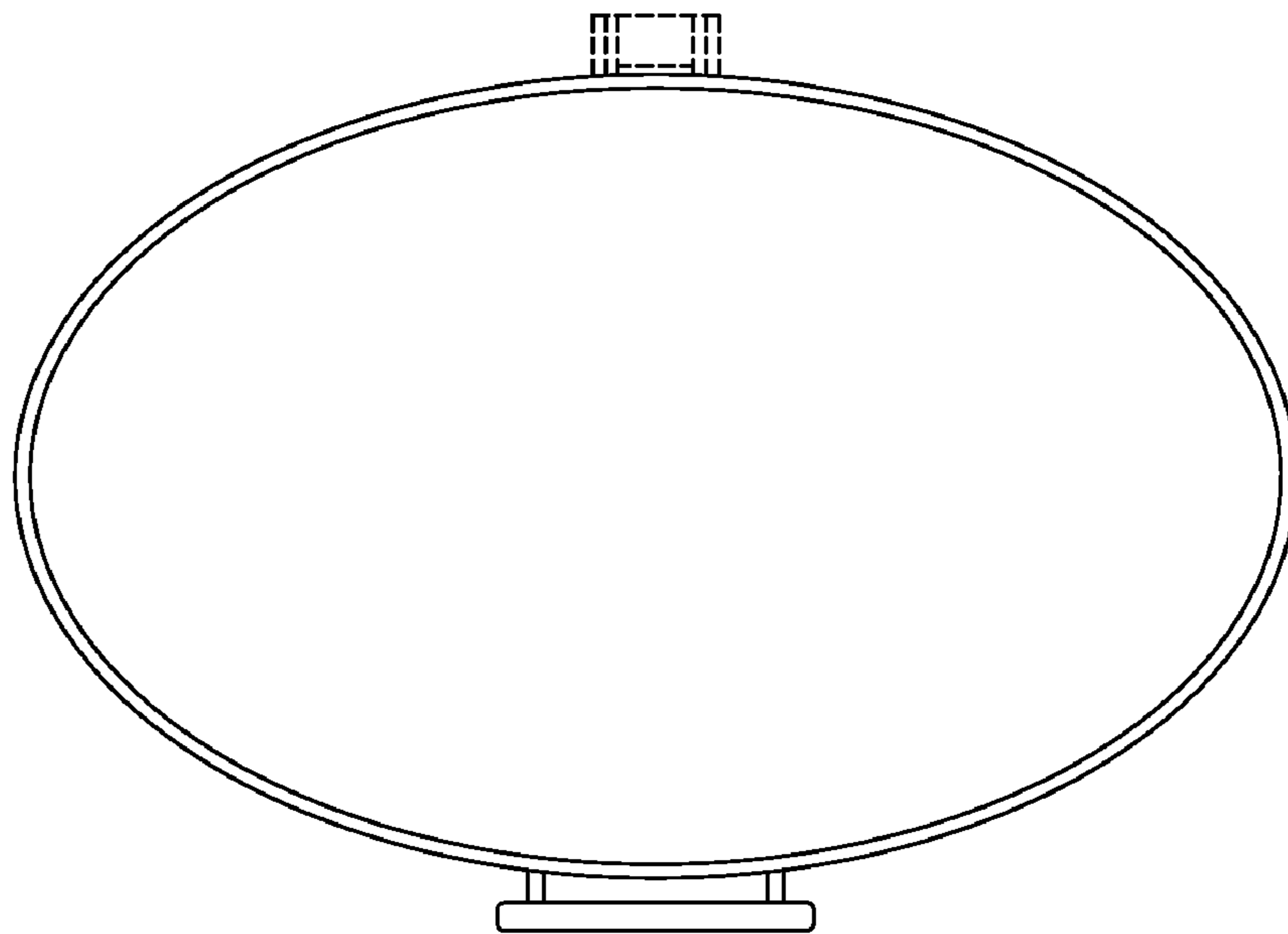


FIG. 6

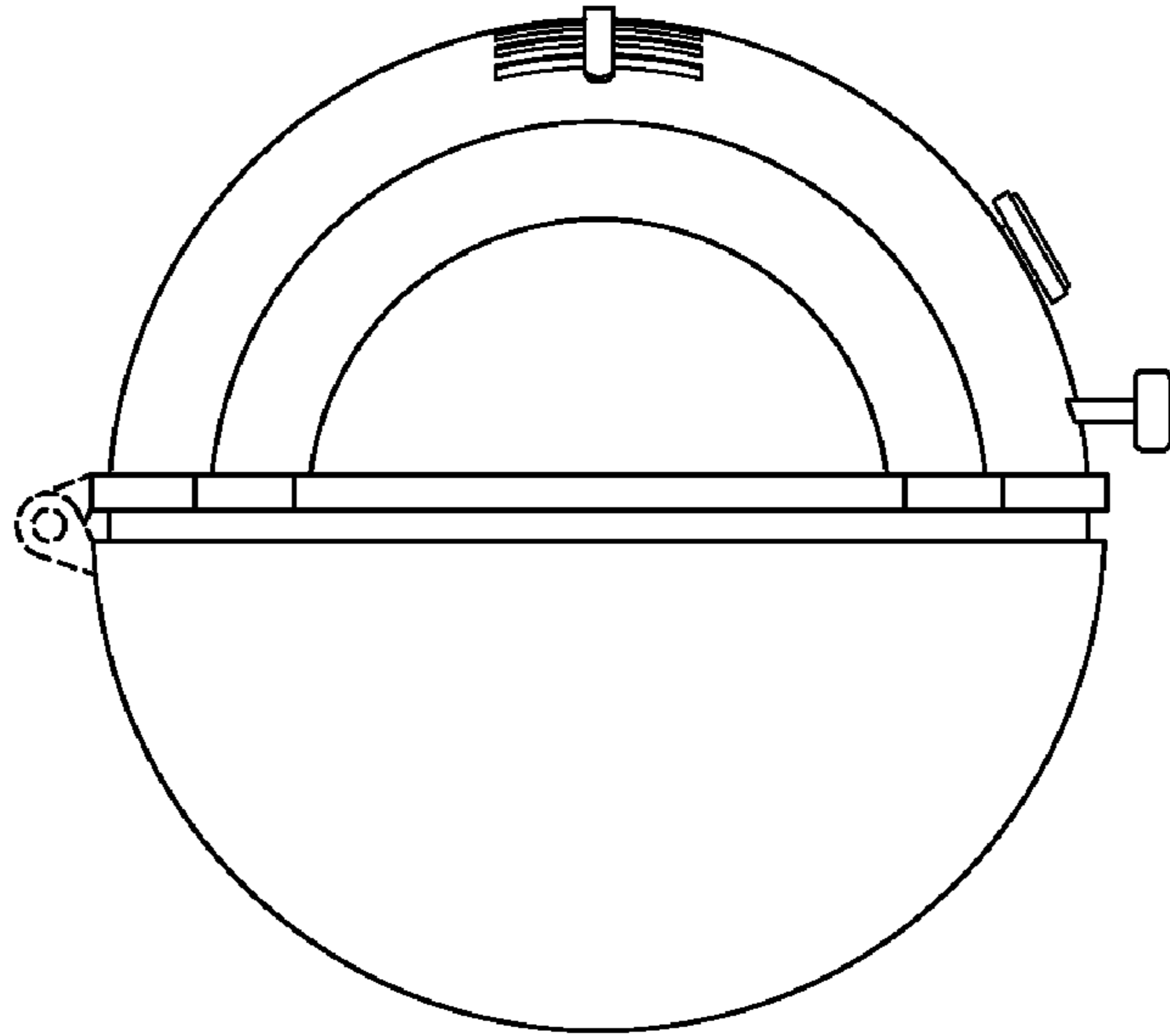


FIG. 7

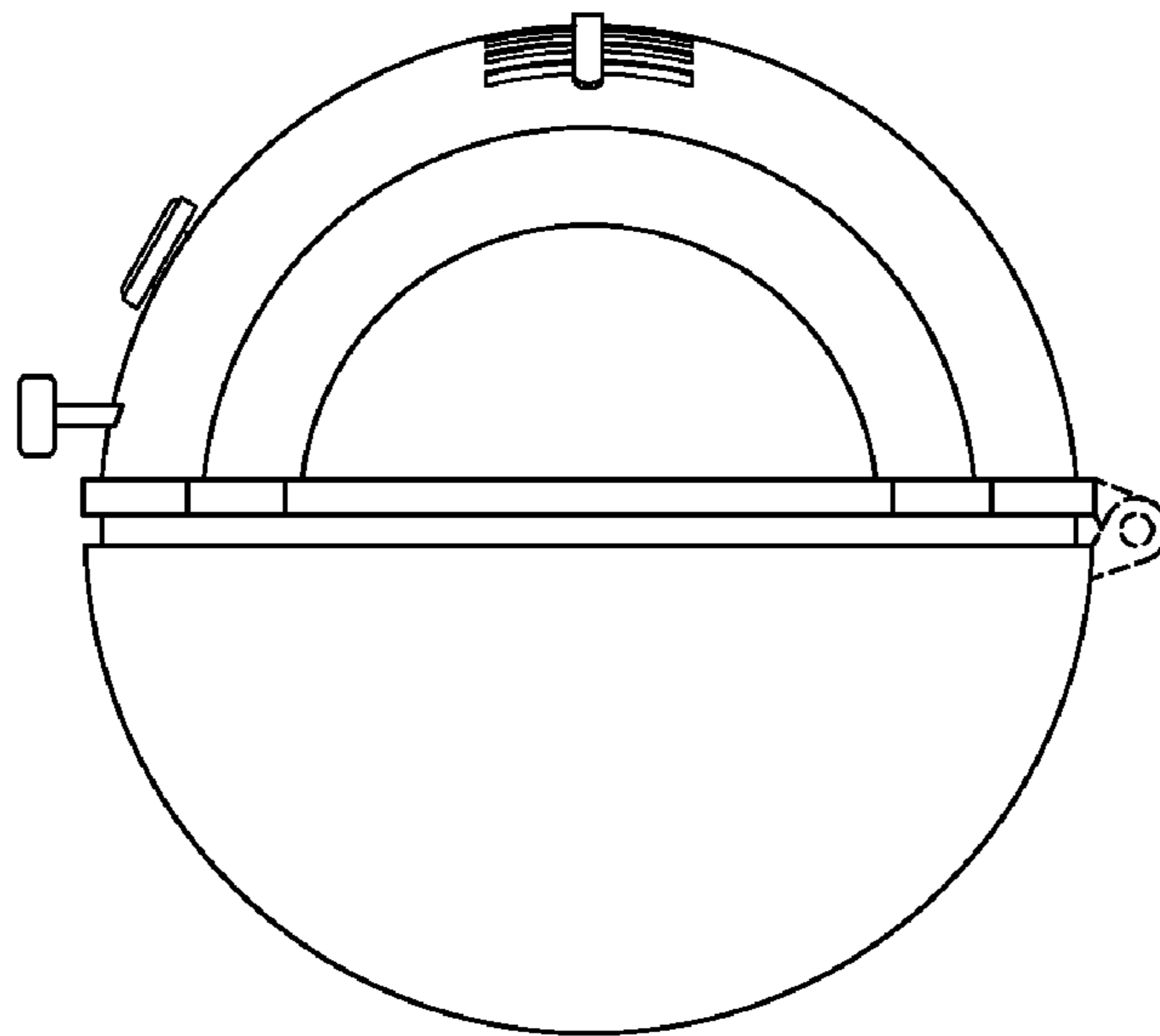


FIG. 8

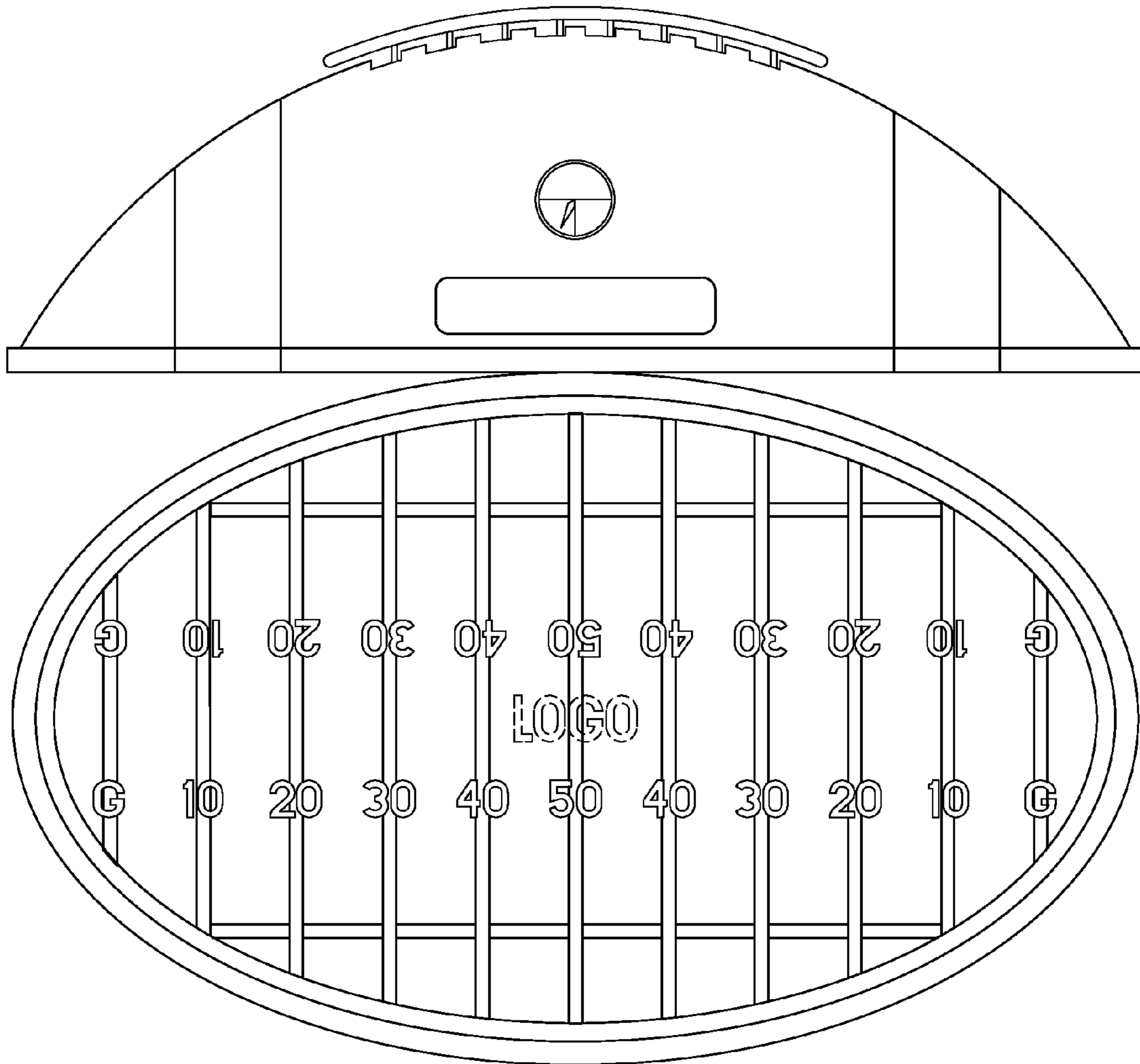


FIG. 9