



US00D638659S

(12) **United States Design Patent**  
**Martindale et al.**

(10) **Patent No.:** **US D638,659 S**

(45) **Date of Patent:** **\*\* May 31, 2011**

(54) **ILLUMINATED BAR GUN**

(75) Inventors: **Richard A. Martindale**, Vacaville, CA  
(US); **Jim M. Tuyls**, Vacaville, CA (US)

(73) Assignee: **Automatic Bar Controls, Inc.**,  
Vacaville, CA (US)

(\*\*) Term: **14 Years**

(21) Appl. No.: **29/361,127**

(22) Filed: **May 5, 2010**

(51) **LOC (9) Cl.** ..... **07-01**

(52) **U.S. Cl.** ..... **D7/398; D7/397**

(58) **Field of Classification Search** ..... D7/398,  
D7/397, 307, 308; 137/606; 222/144.5,  
222/485

See application file for complete search history.

(56) **References Cited**

**U.S. PATENT DOCUMENTS**

D274,031	S	*	5/1984	de Man	.....	D7/398
D309,232	S	*	7/1990	Valiyee et al.	.....	D7/398
4,986,449	A	*	1/1991	Valiyee et al.	.....	222/144.5
7,036,687	B1	*	5/2006	Lowe	.....	222/145.5

7,658,006	B2	*	2/2010	Schroeder	.....	29/890.142
D628,014	S	*	11/2010	Martindale	.....	D7/398
2010/0147886	A1	*	6/2010	Martindale	.....	222/113

\* cited by examiner

*Primary Examiner* — Marianne Pandozzi

(74) *Attorney, Agent, or Firm* — Kilpatrick Townsend &  
Stockton LLP

(57) **CLAIM**

The ornamental design for an illuminated bar gun, as shown  
and described.

**DESCRIPTION**

FIG. 1 is a perspective view of an illuminated bar gun show-  
ing our new design;

FIG. 2 is a top plan view thereof;

FIG. 3 is a bottom plan view thereof;

FIG. 4 is a left side elevational view thereof;

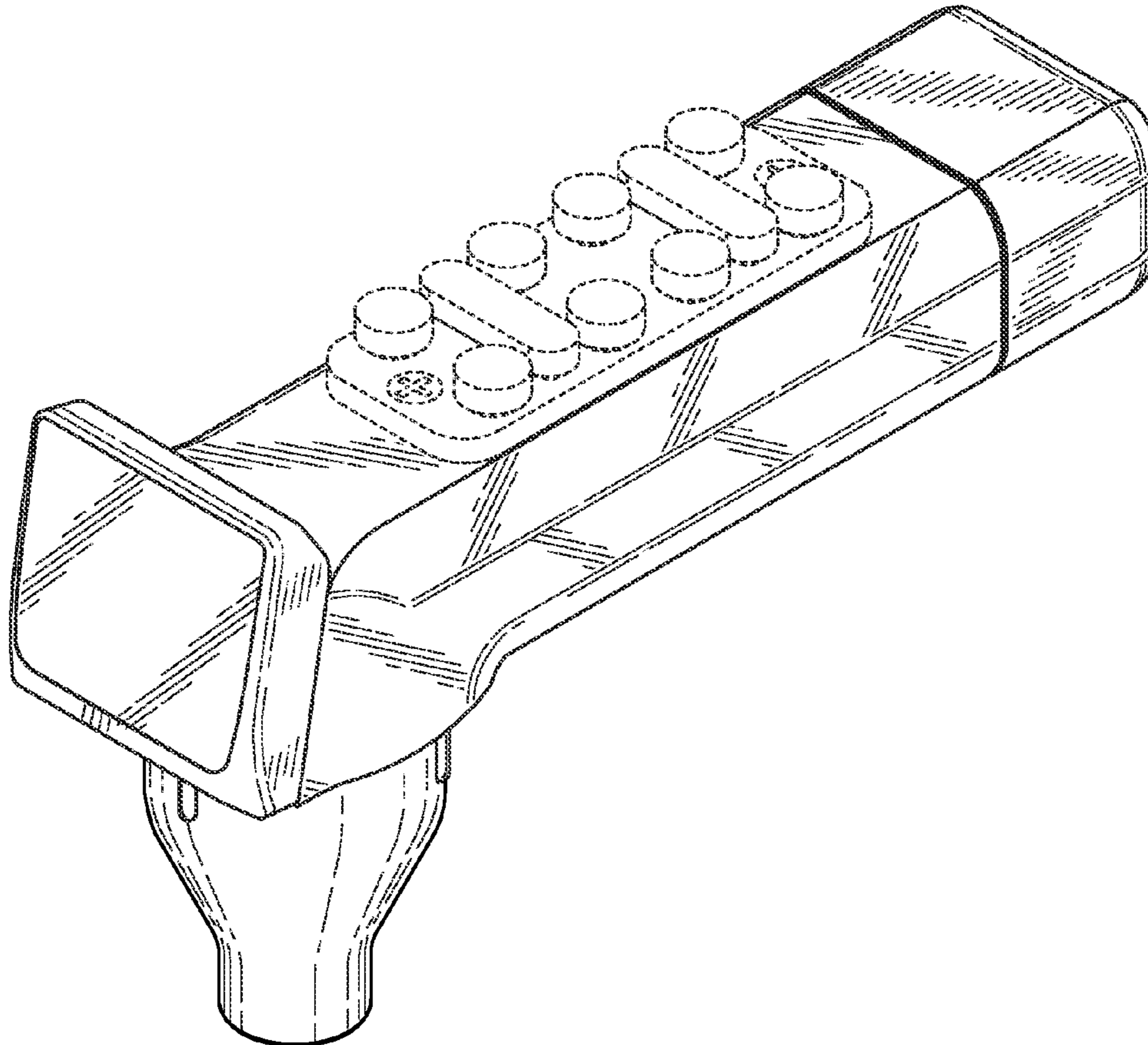
FIG. 5 is a right side elevational view thereof;

FIG. 6 is a front elevational view thereof; and,

FIG. 7 is a rear elevational view thereof.

The broken lines shown in the drawings form no part of the  
claimed design.

**1 Claim, 5 Drawing Sheets**



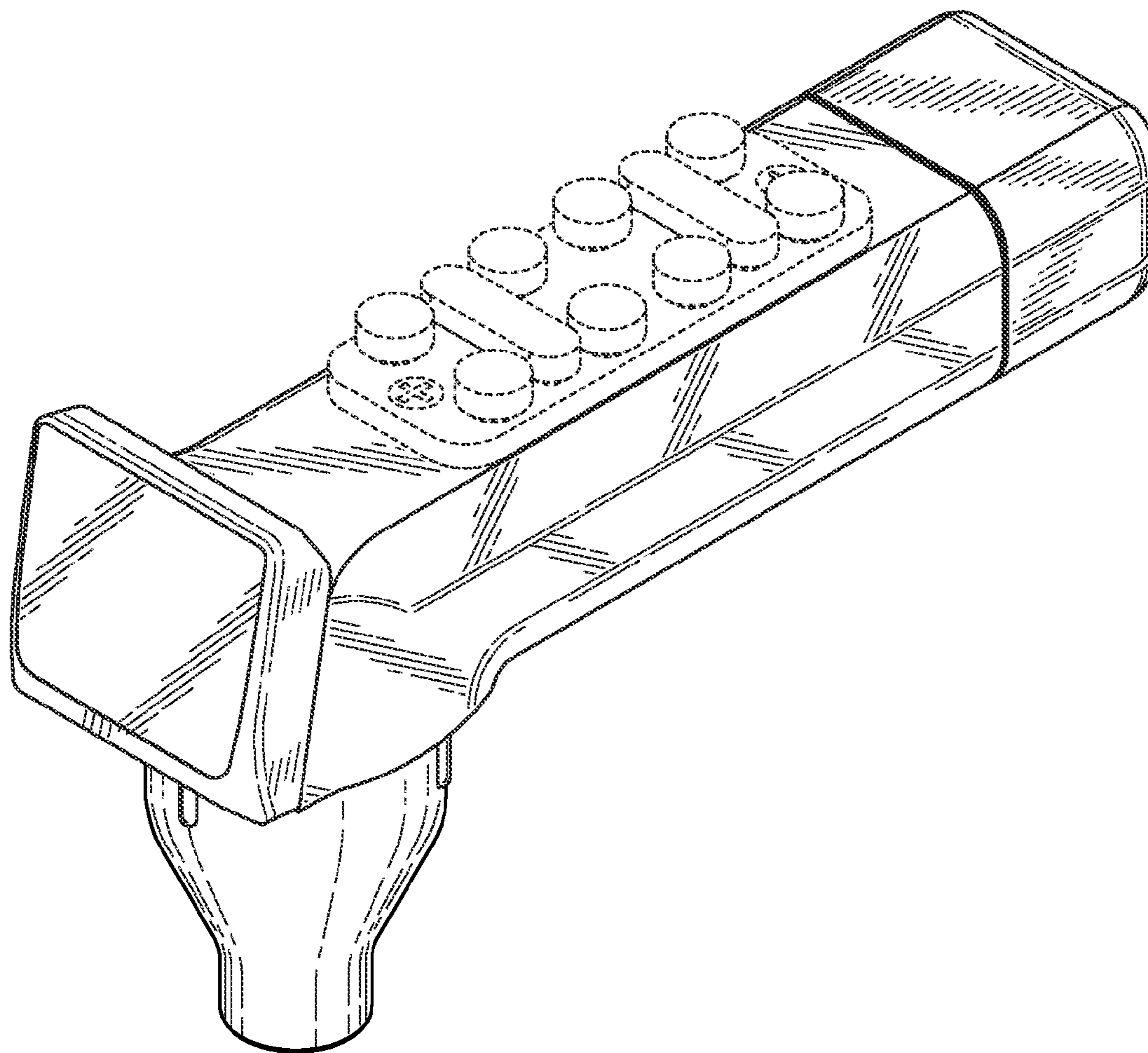


FIG. 1

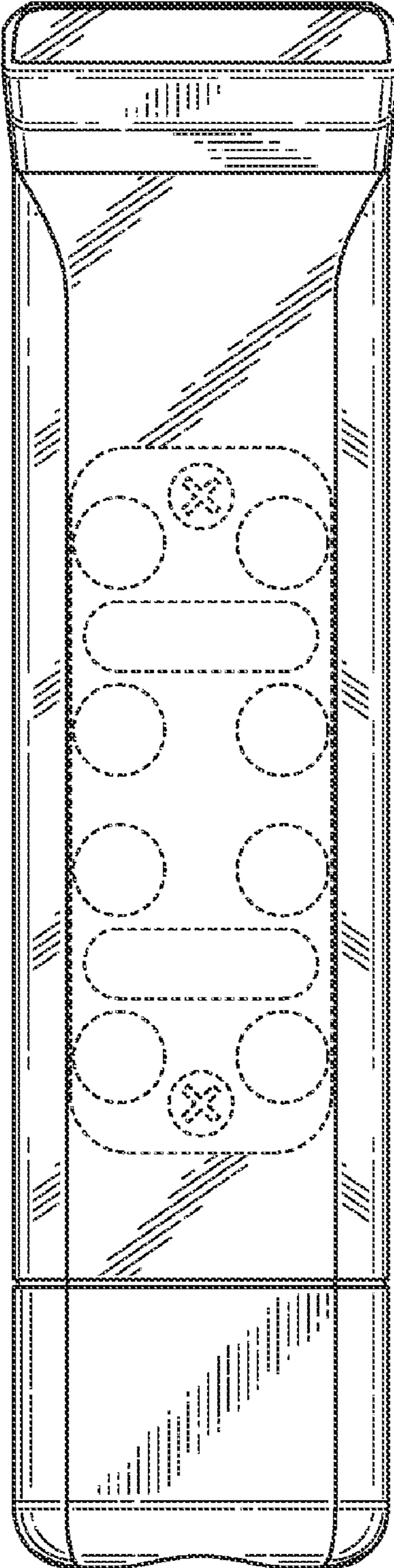


FIG. 2

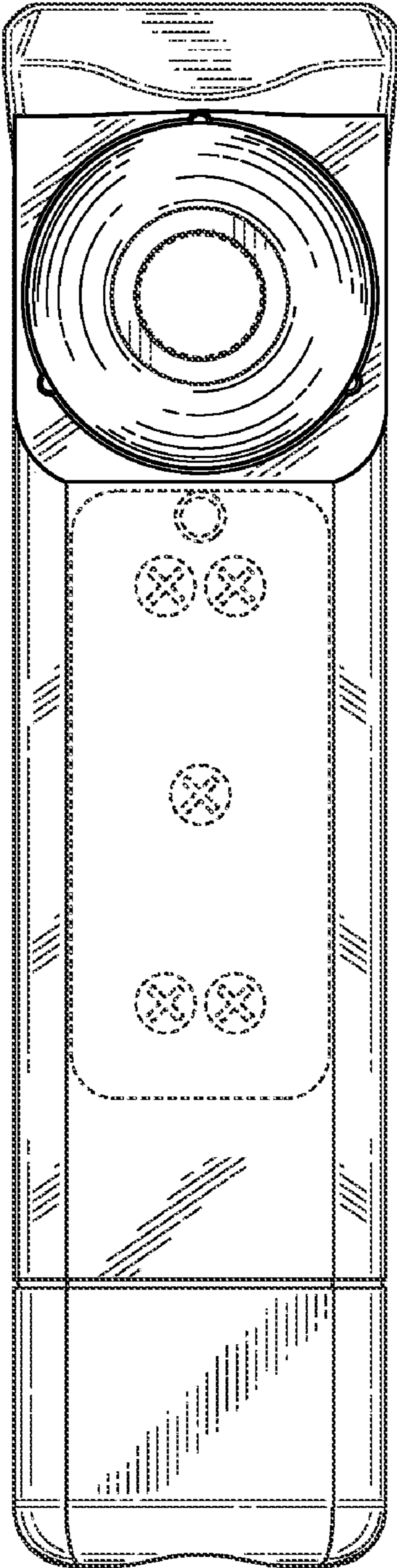


FIG. 3

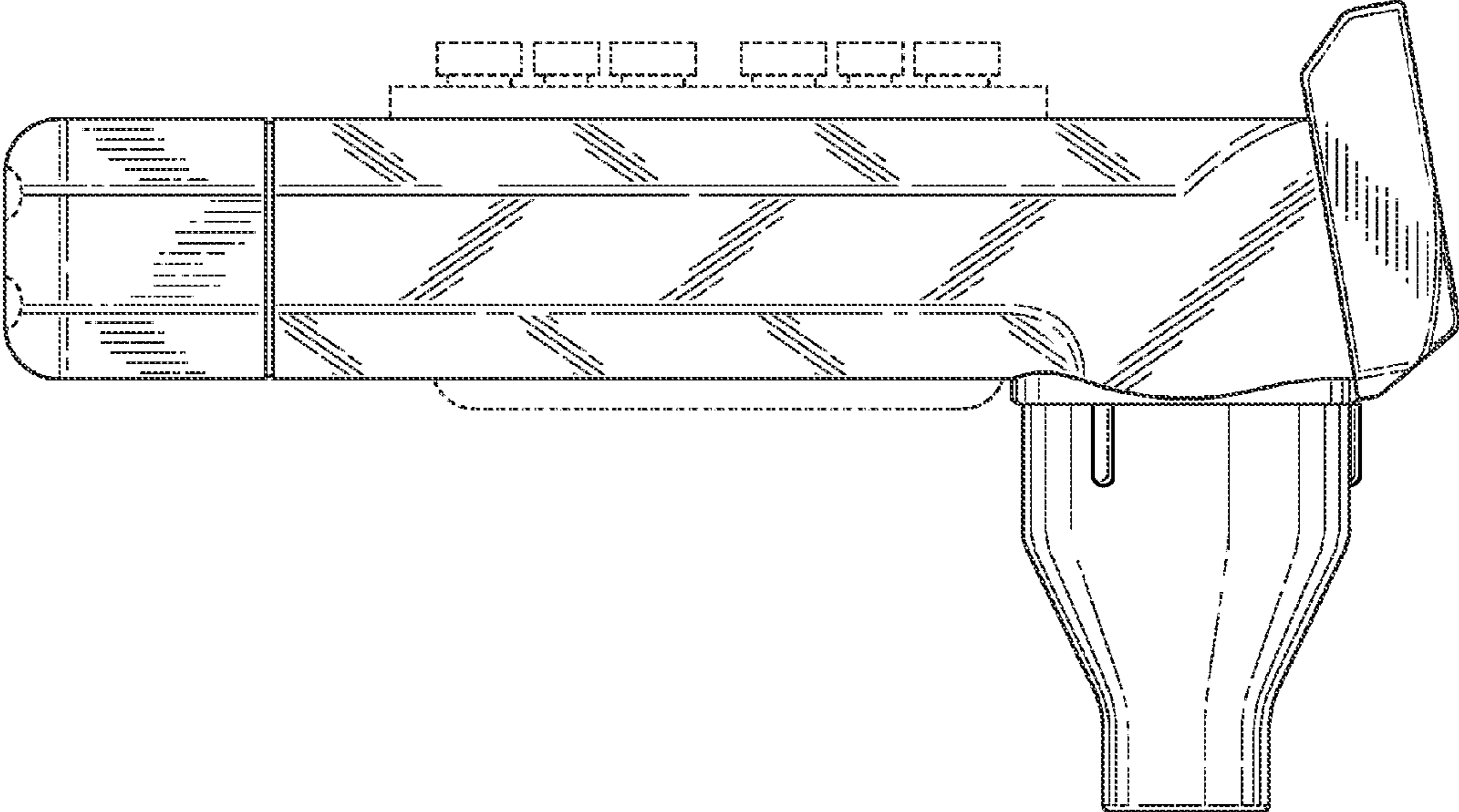


FIG. 4

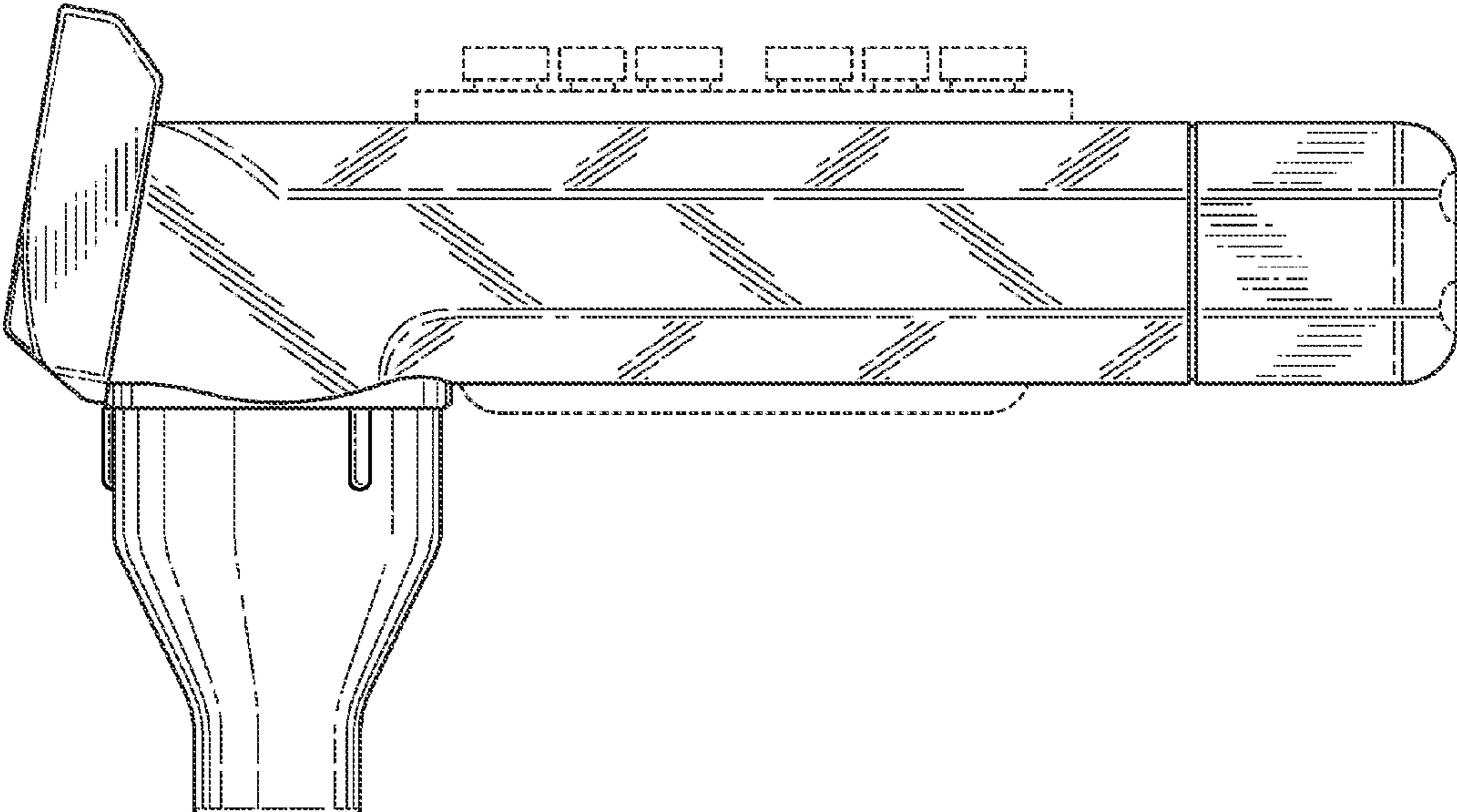


FIG. 5

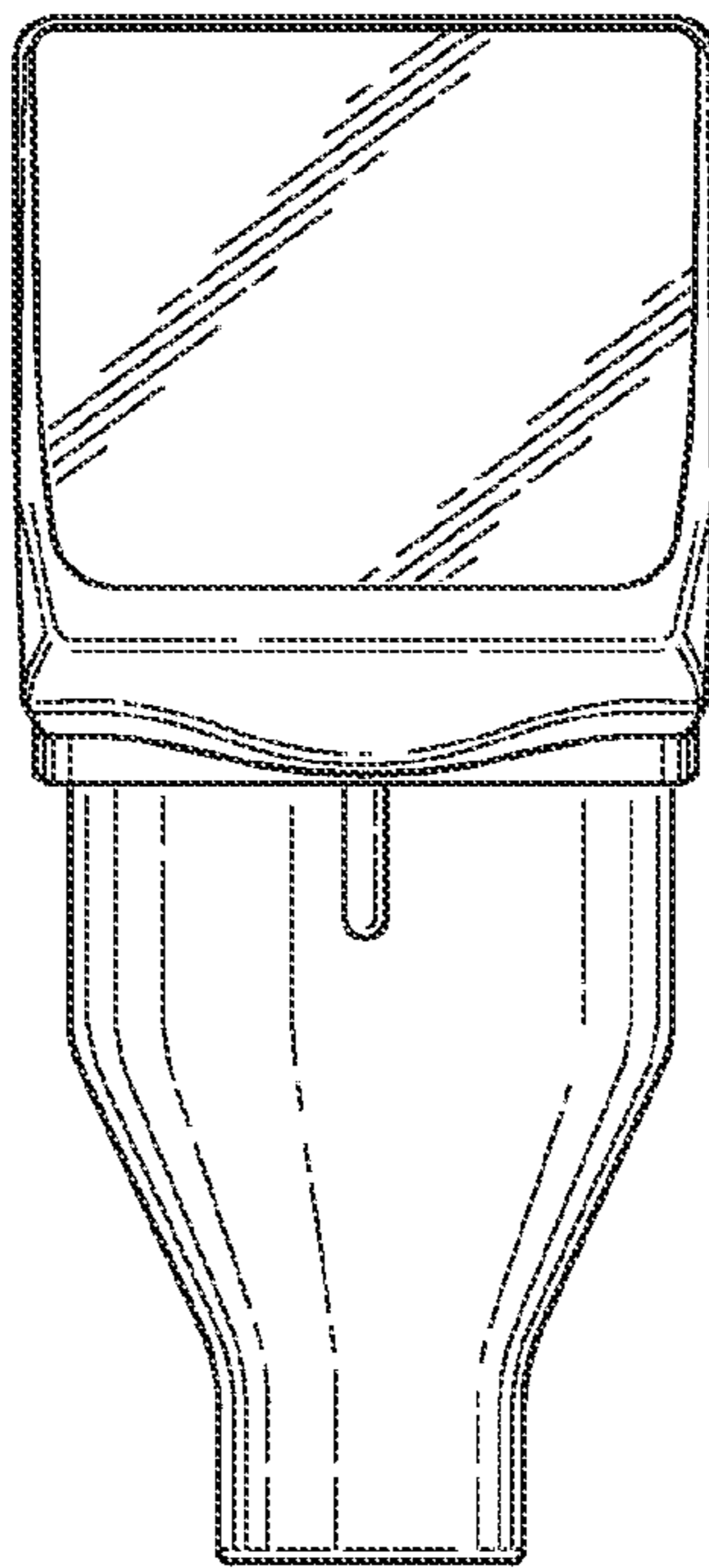


FIG. 6

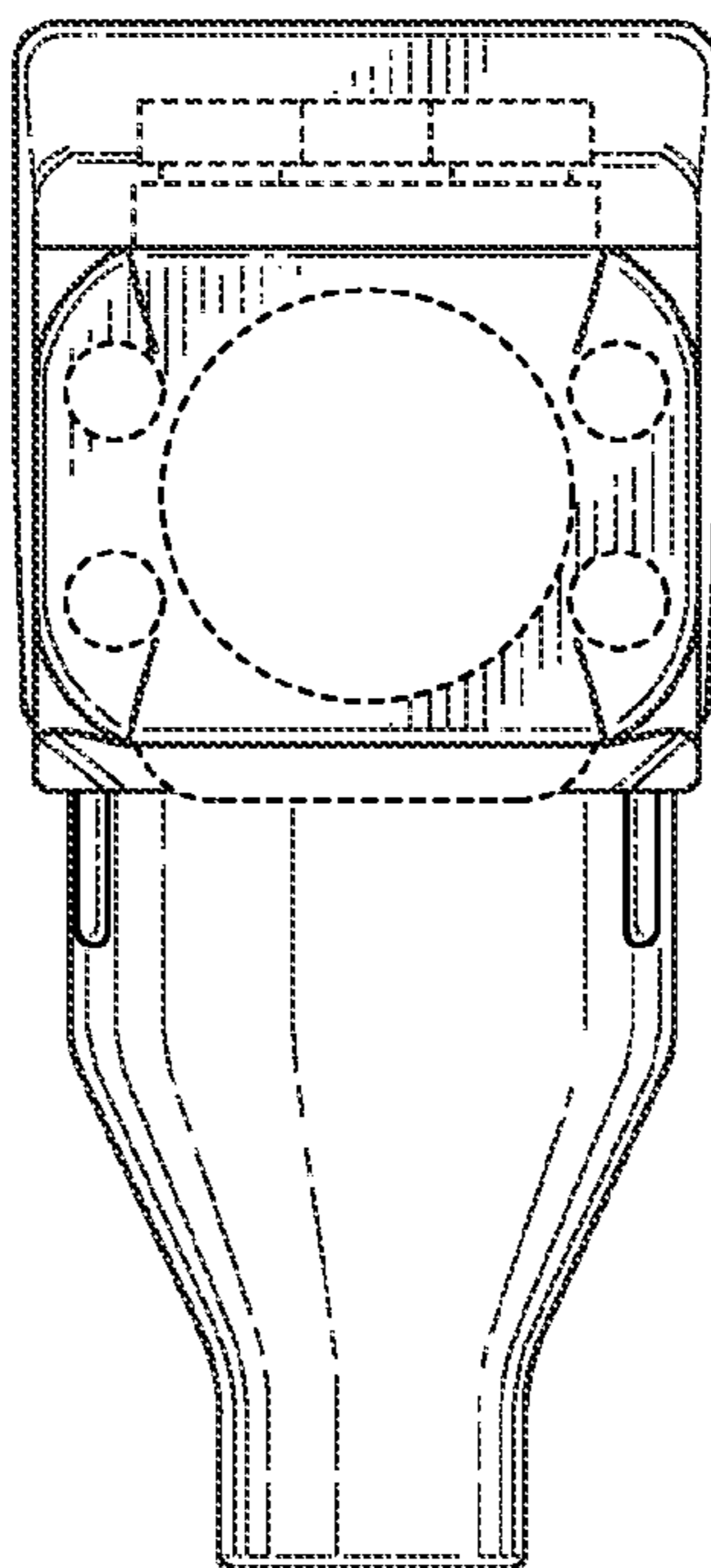


FIG. 7