



US00D638658S

(12) **United States Design Patent**  
**Staton**

(10) **Patent No.:** **US D638,658 S**

(45) **Date of Patent:** **\*\* May 31, 2011**

(54) **BOTTLE CLOSURE**

**DESCRIPTION**

(75) Inventor: **John M. Staton**, Fairport, NY (US)

(73) Assignee: **Nalge Nune International Corporation**, Rochester, NY (US)

(\*\*) Term: **14 Years**

(21) Appl. No.: **29/341,817**

(22) Filed: **Aug. 13, 2009**

(51) **LOC (9) Cl.** ..... **07-99**

(52) **U.S. Cl.** ..... **D7/392**

(58) **Field of Classification Search** ..... D7/300,  
D7/321, 391, 392, 392.1, 396.2, 509, 510,  
D7/511, 619.1, 629, 638; D9/434, 435, 436,  
D9/438, 445, 446, 447, 449, 452-454, 510,  
D9/709, 715, 718, 781; 215/228, 229, 254,  
215/388; 220/212, 253, 254.1, 254.2, 254.3,  
220/254.4, 254.9, 269, 345.1, 361, 547, 575,  
220/703, 705, 708, 711, 713, 838

See application file for complete search history.

(56) **References Cited**

**U.S. PATENT DOCUMENTS**

5,150,815	A *	9/1992	Saklad	220/708
5,361,934	A	11/1994	Spence, Jr.	
6,116,458	A	9/2000	Dark	
6,196,413	B1	3/2001	Tung	
6,609,624	B2 *	8/2003	Goto et al.	220/259.1
D547,607	S	7/2007	Forsman	
7,255,241	B2	8/2007	Yoneoka et al.	
D632,521	S *	2/2011	Wahl	D7/392.1
D634,972	*	3/2011	Staton	D7/392.1

\* cited by examiner

*Primary Examiner* — Lisa Lichtenstein

(74) *Attorney, Agent, or Firm* — Wood, Herron & Evans, LLP

(57) **CLAIM**

The ornamental design for a bottle closure, as shown and described.

FIG. 1 is a perspective view of my new bottle closure design, depicting a spout of the closure in a closed position;

FIG. 2 is a front-side elevation view thereof;

FIG. 3 is a back-side elevation view thereof;

FIG. 4 is a right-side elevation view thereof;

FIG. 5 is a left-side elevation view thereof;

FIG. 6 is a top plan view thereof;

FIG. 7 is a bottom plan view thereof;

FIG. 8 is a cross-sectional view taken along line 8—8 of FIG. 7; and

FIG. 9 is a cross-sectional view taken along line 9—9 of FIG. 7.

FIG. 10 is a perspective view of my new bottle closure design, depicting the spout in an open position;

FIG. 11 is a front-side elevation view thereof;

FIG. 12 is a back-side elevation view thereof;

FIG. 13 is a right-side elevation view thereof;

FIG. 14 is a left-side elevation view thereof;

FIG. 15 is a top plan view thereof;

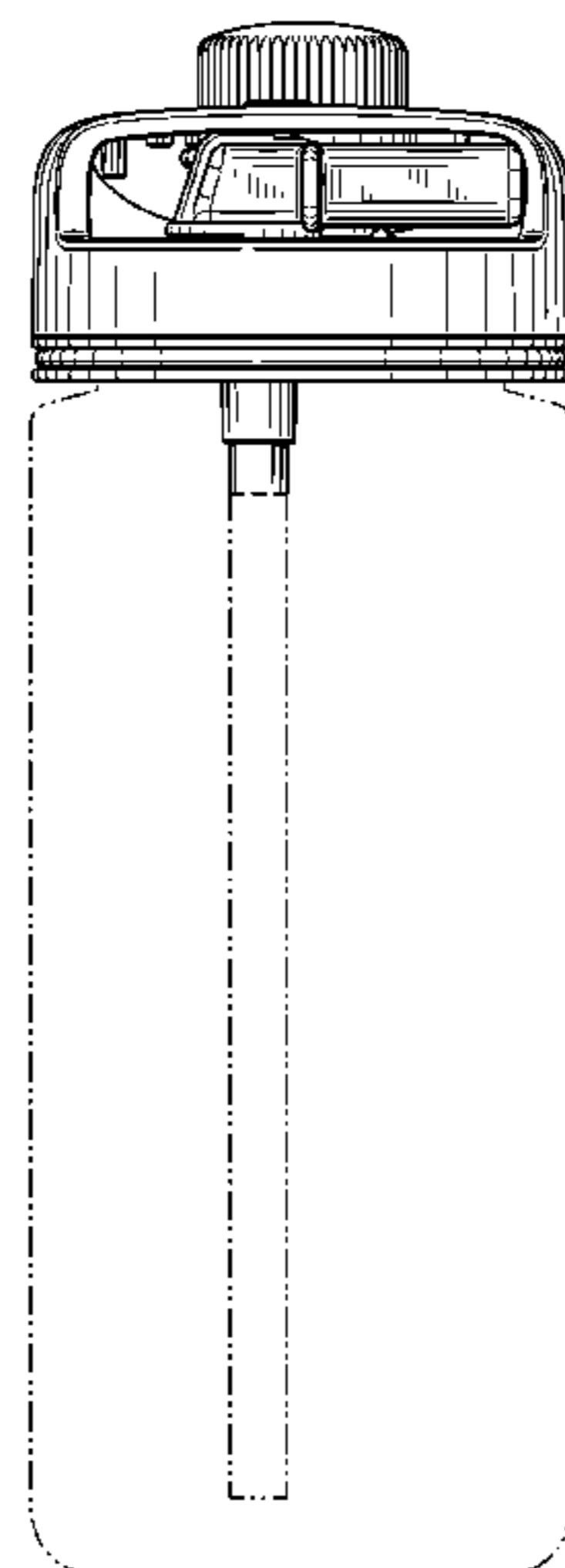
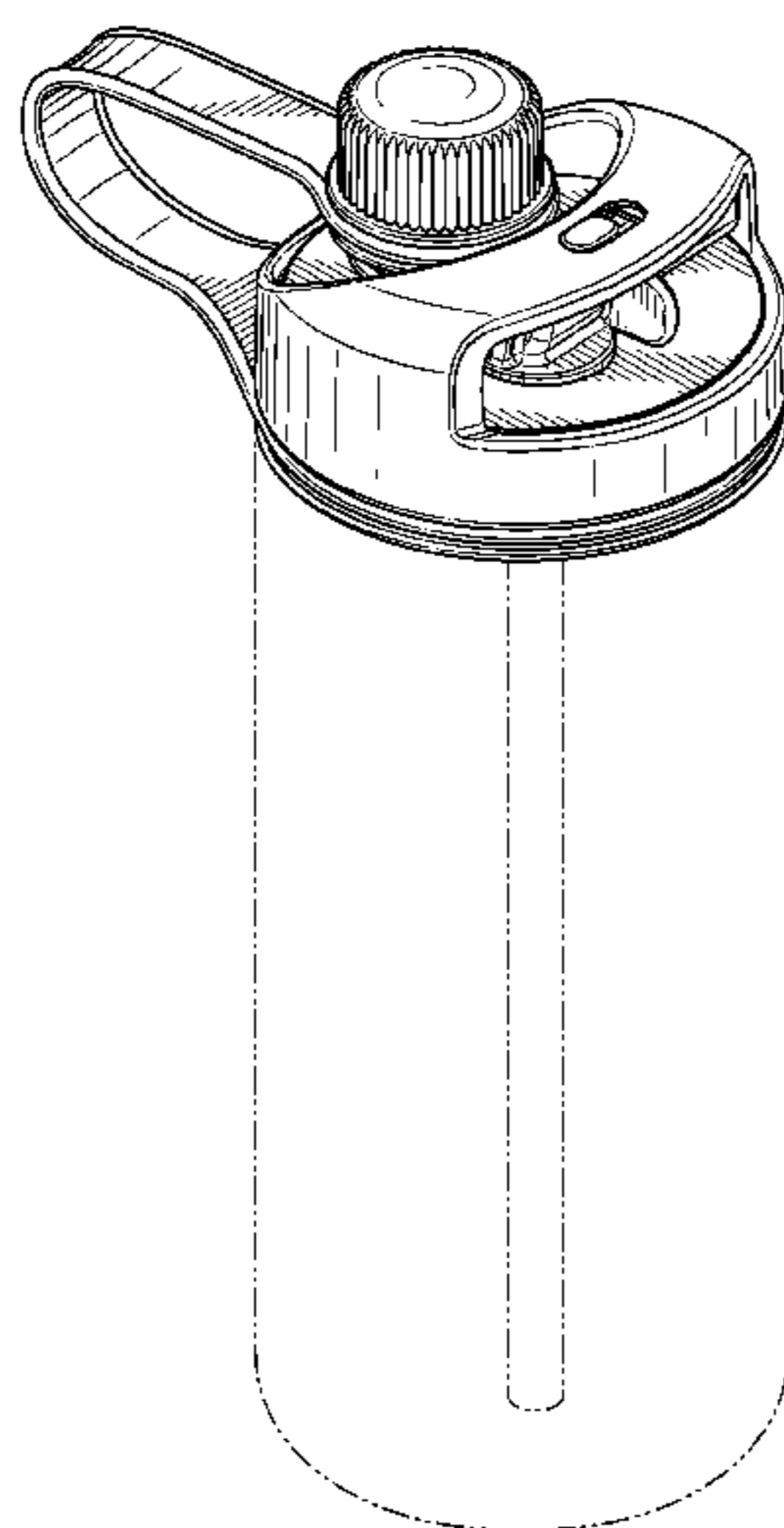
FIG. 16 is a bottom plan view thereof;

FIG. 17 is a cross-sectional view taken along line 17—17 of FIG. 16; and,

FIG. 18 is a cross-sectional view taken along line 18—18 of FIG. 16.

The broken lines in the figures of the bottle closure are for illustrative purposes only and form no part of the claimed design. Specifically, the phantom lines in FIGS. 1-5, 8-14, 17, and 18, depicting a bottle and tube portion, are for the purpose of illustrating environment and form no part of the claimed design. The dash lines in FIGS. 7 and 16, depicting the bottom of the tube portion, the top and bottom of the cap portion, and the tip of the spout portion, are for the purpose of illustrating the bounds of the claim and form no part of the claimed design.

**1 Claim, 12 Drawing Sheets**



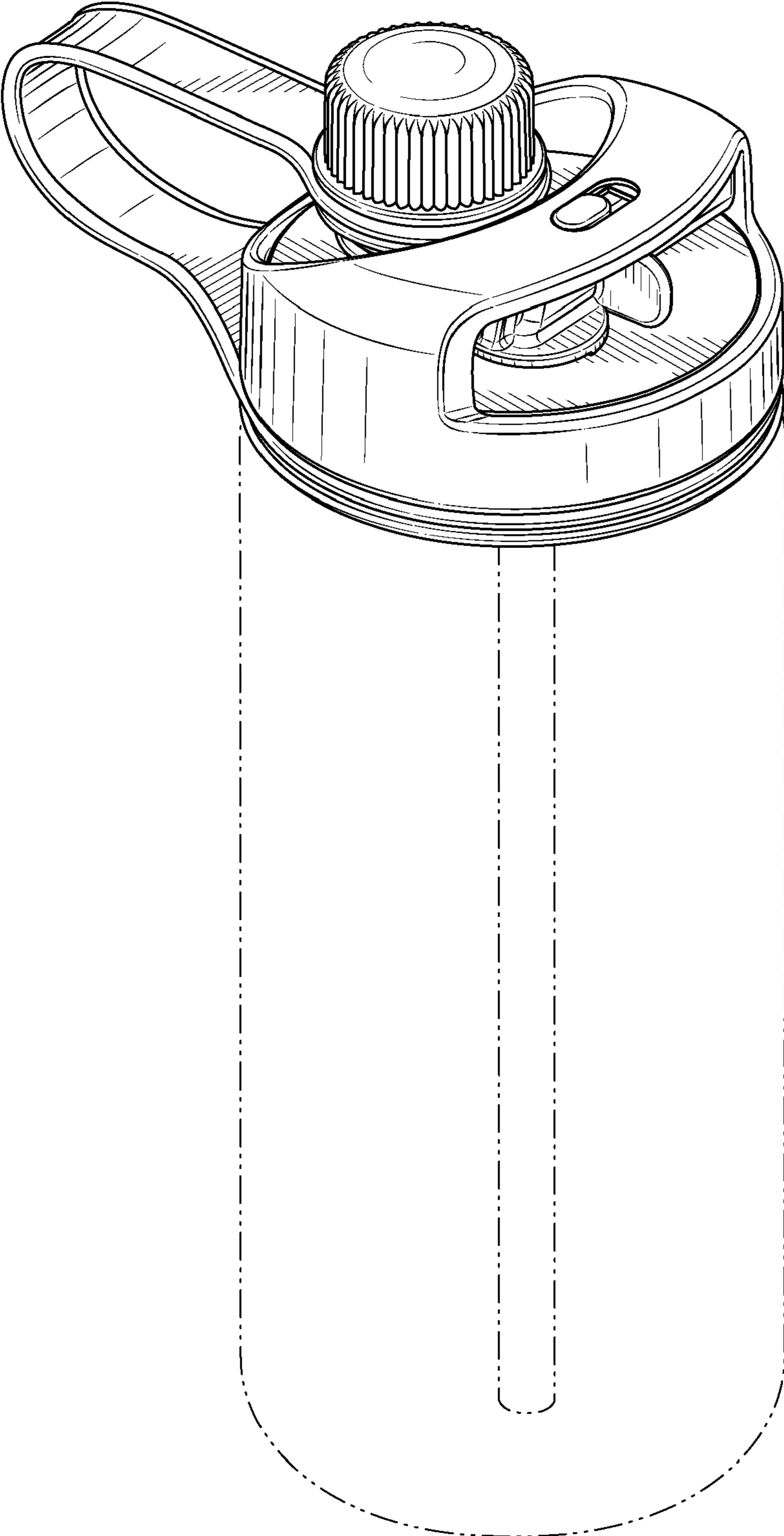


FIG. 1

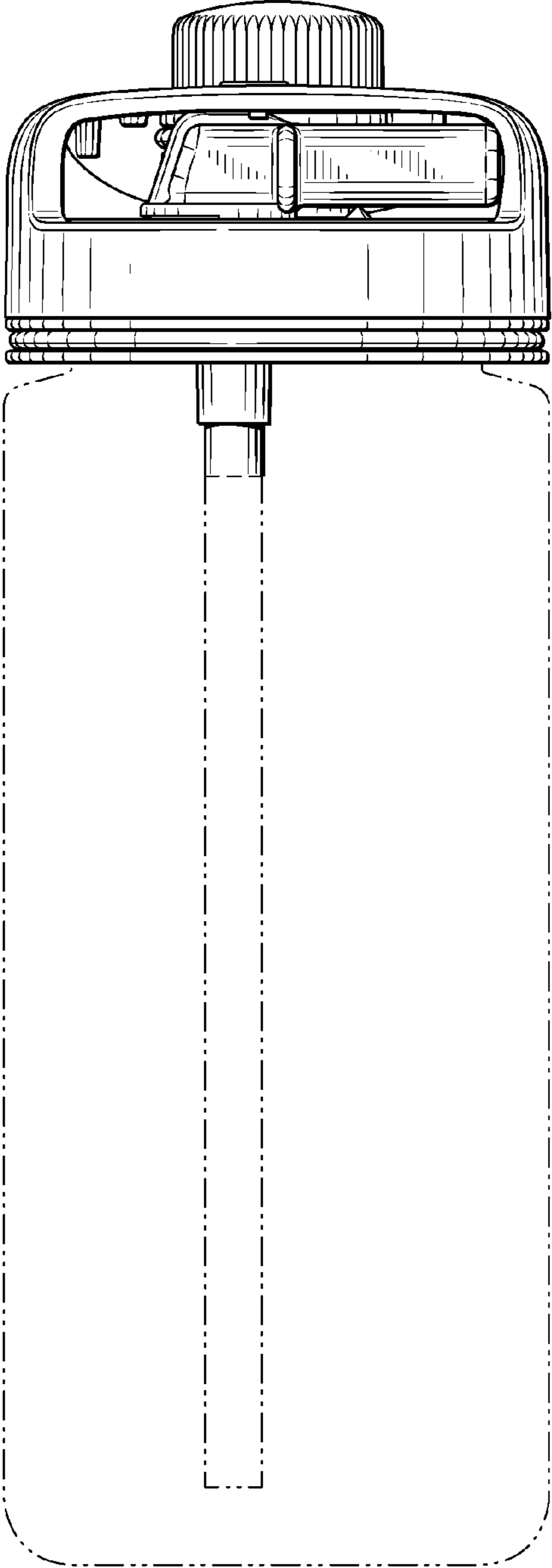


FIG. 2

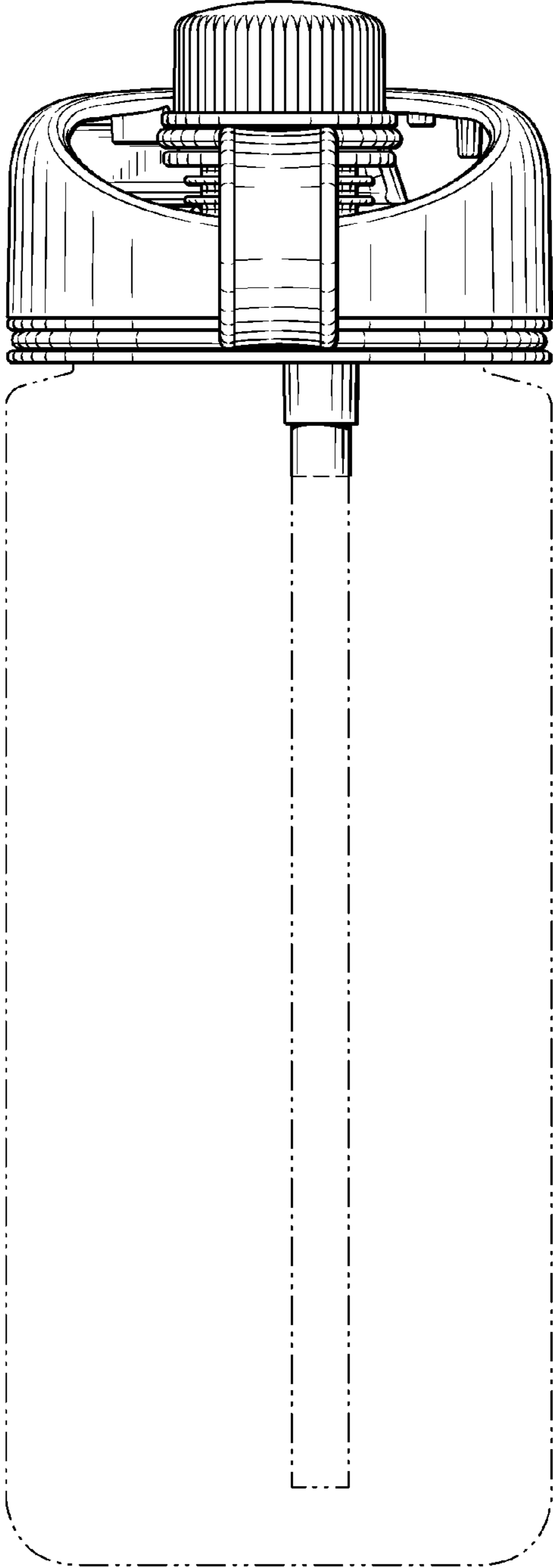


FIG. 3

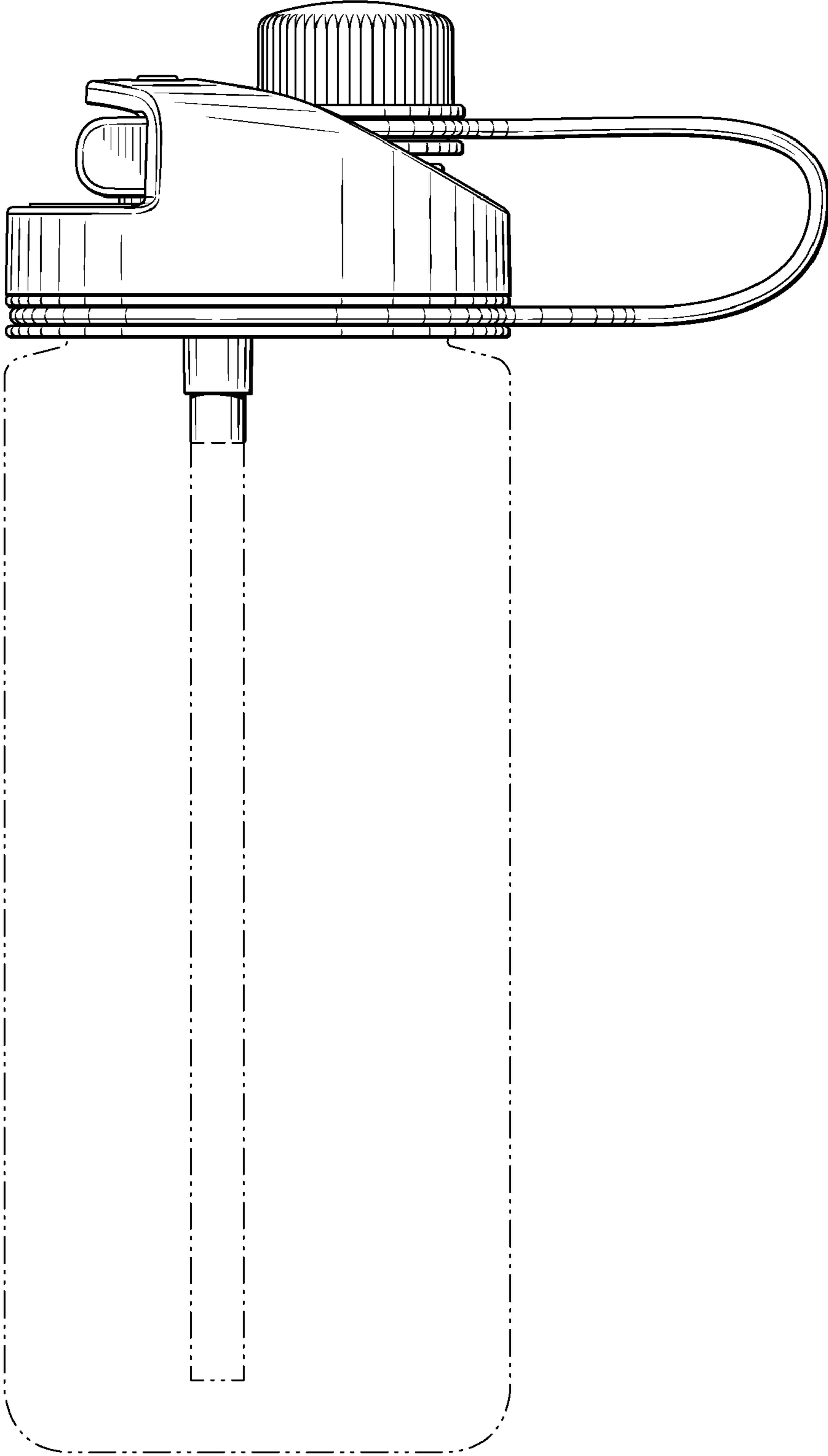


FIG. 4

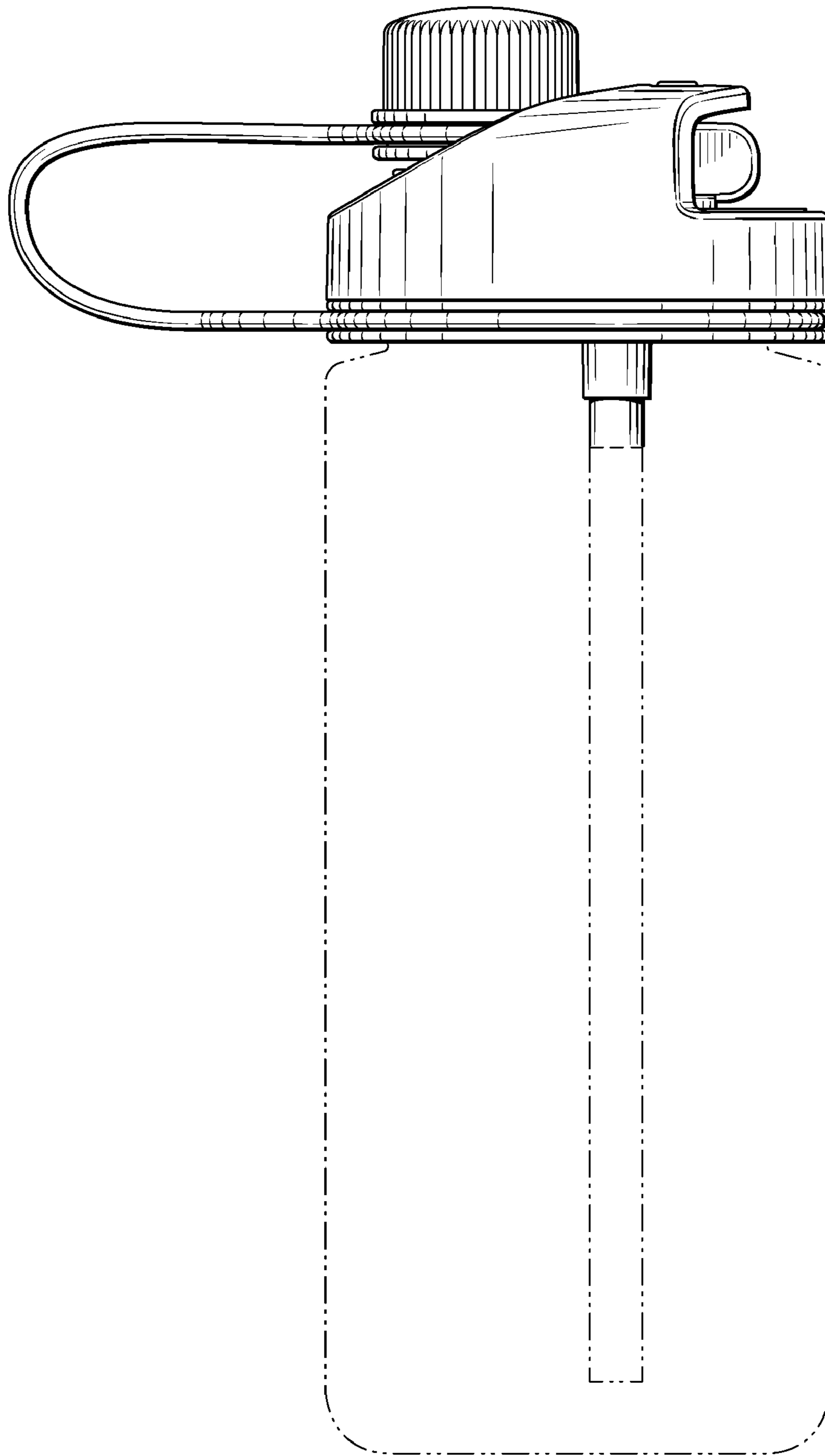


FIG. 5

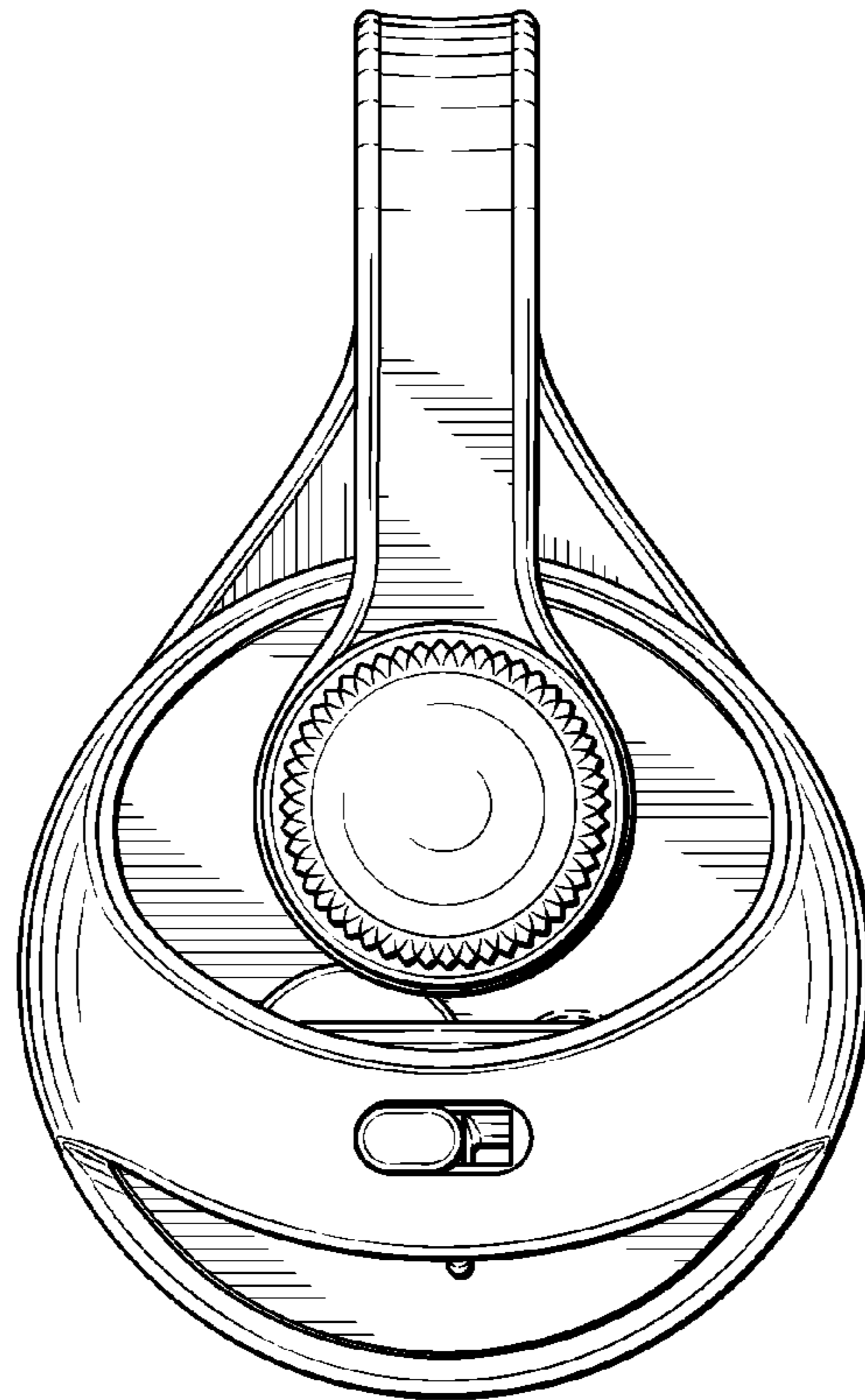


FIG. 6

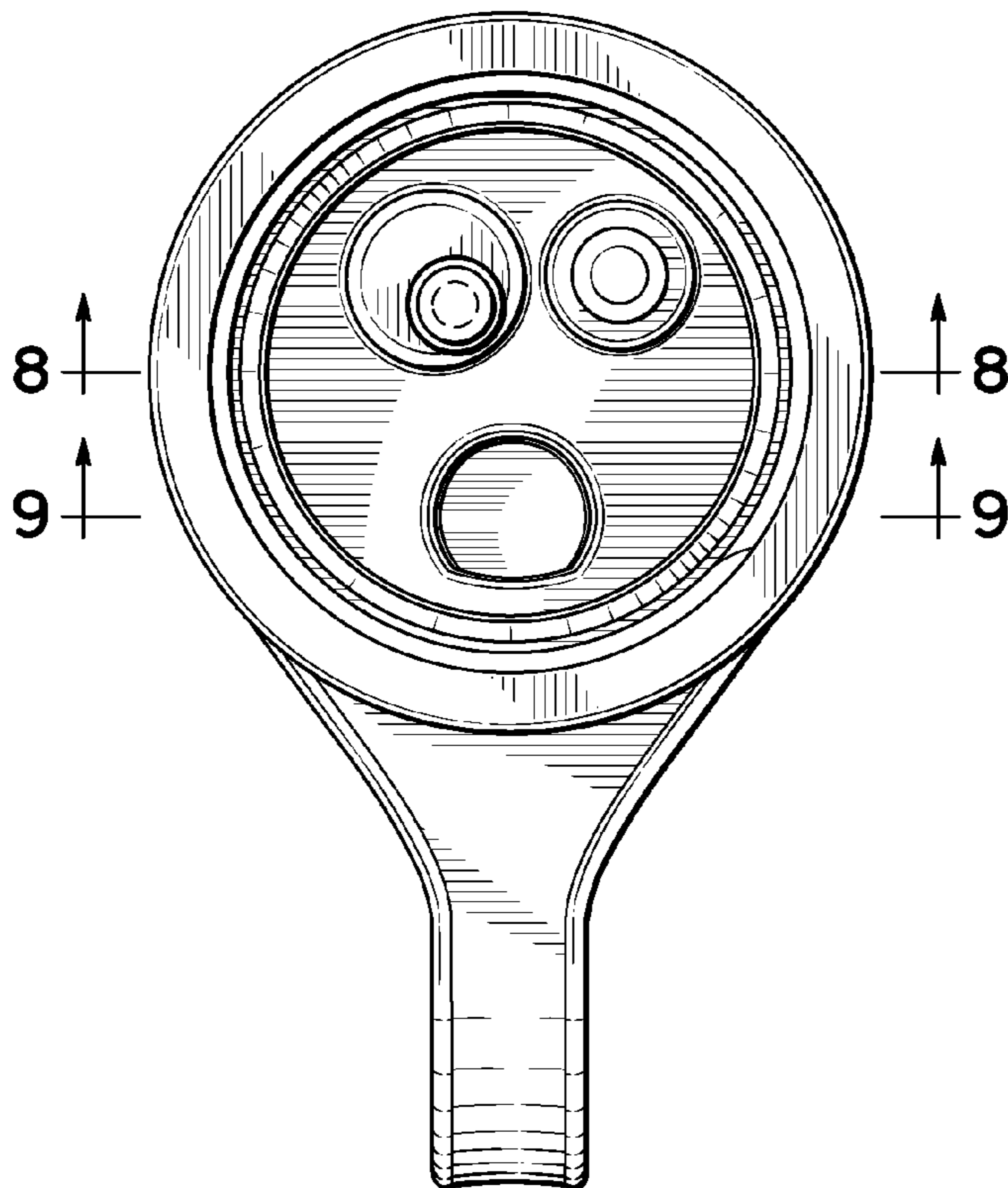


FIG. 7

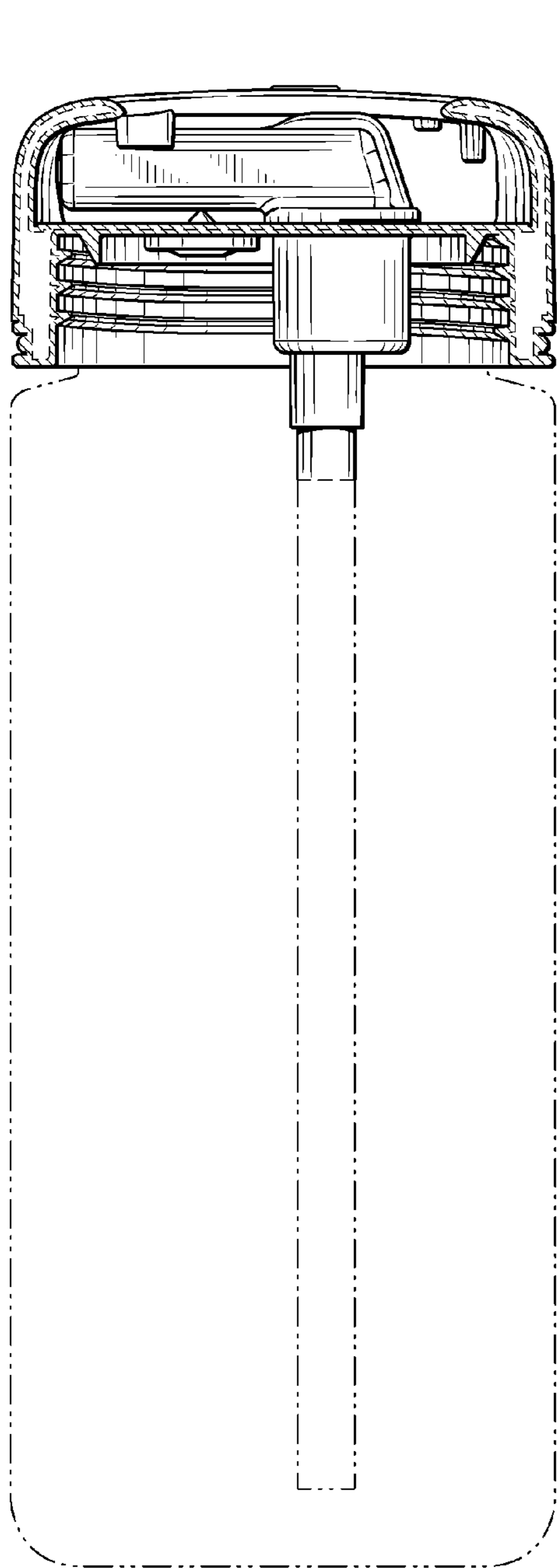


FIG. 8

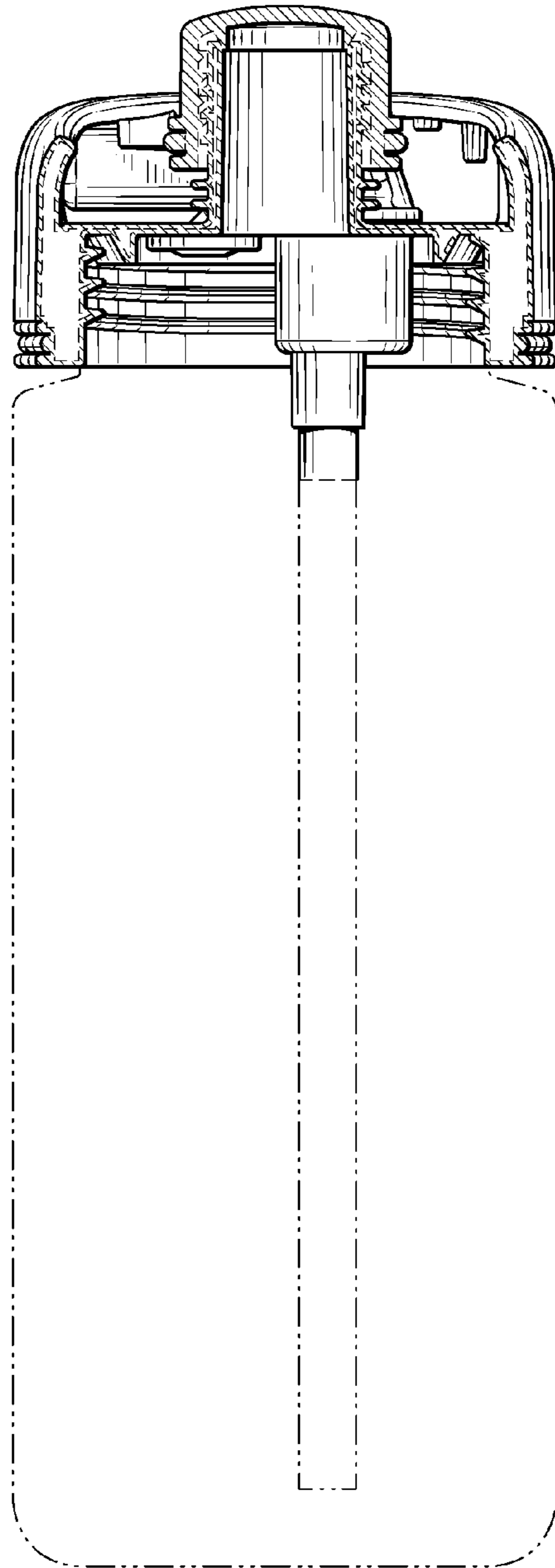


FIG. 9

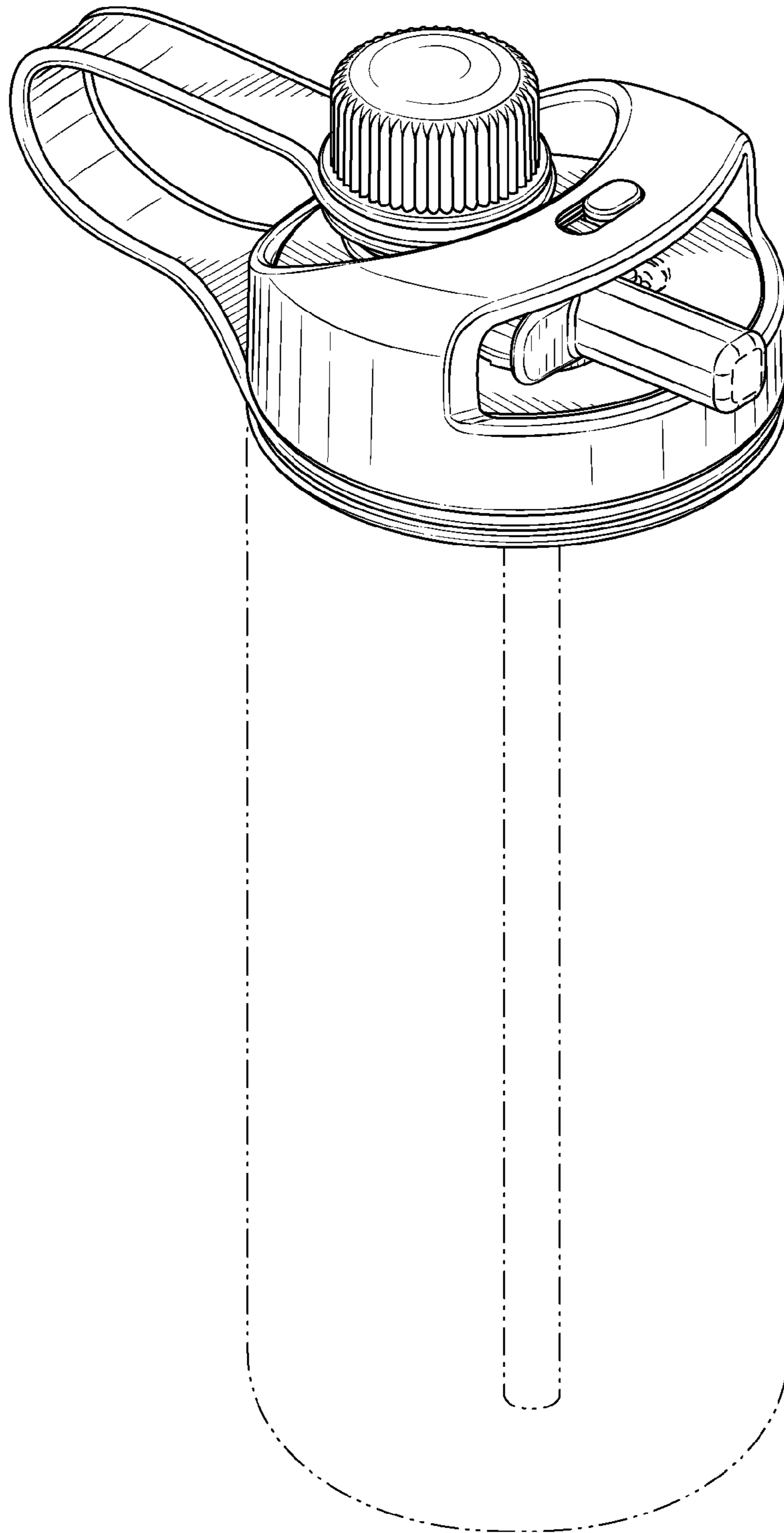


FIG. 10



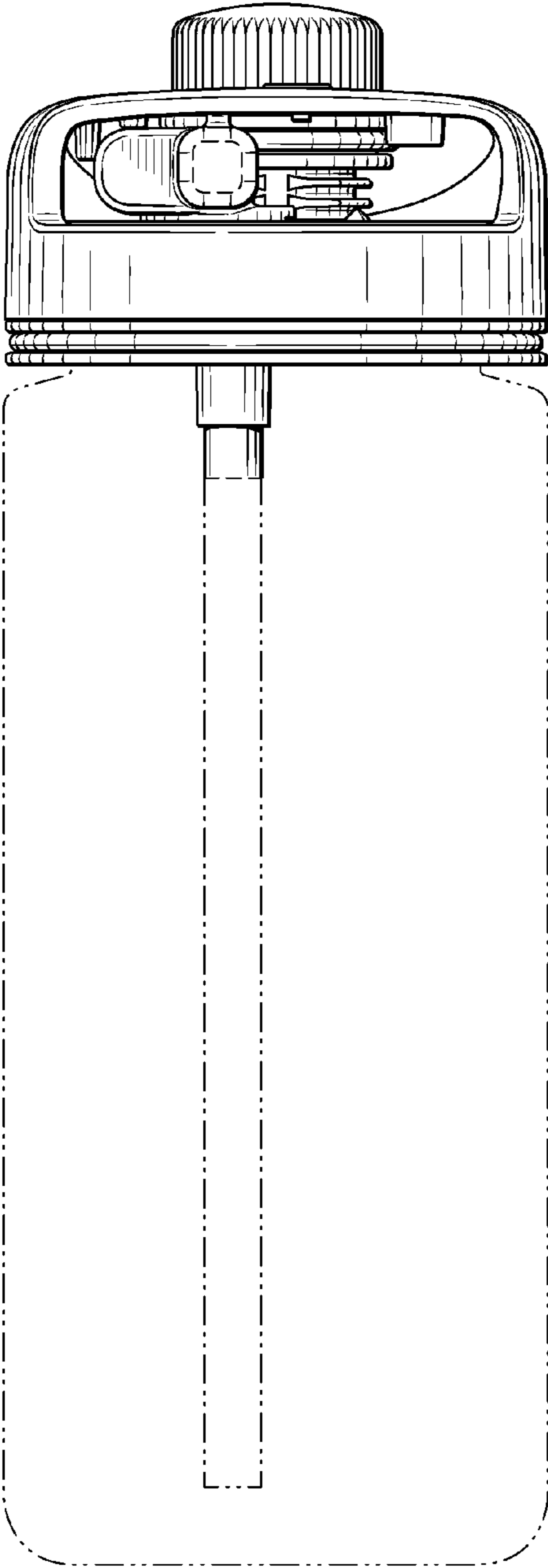


FIG. 11

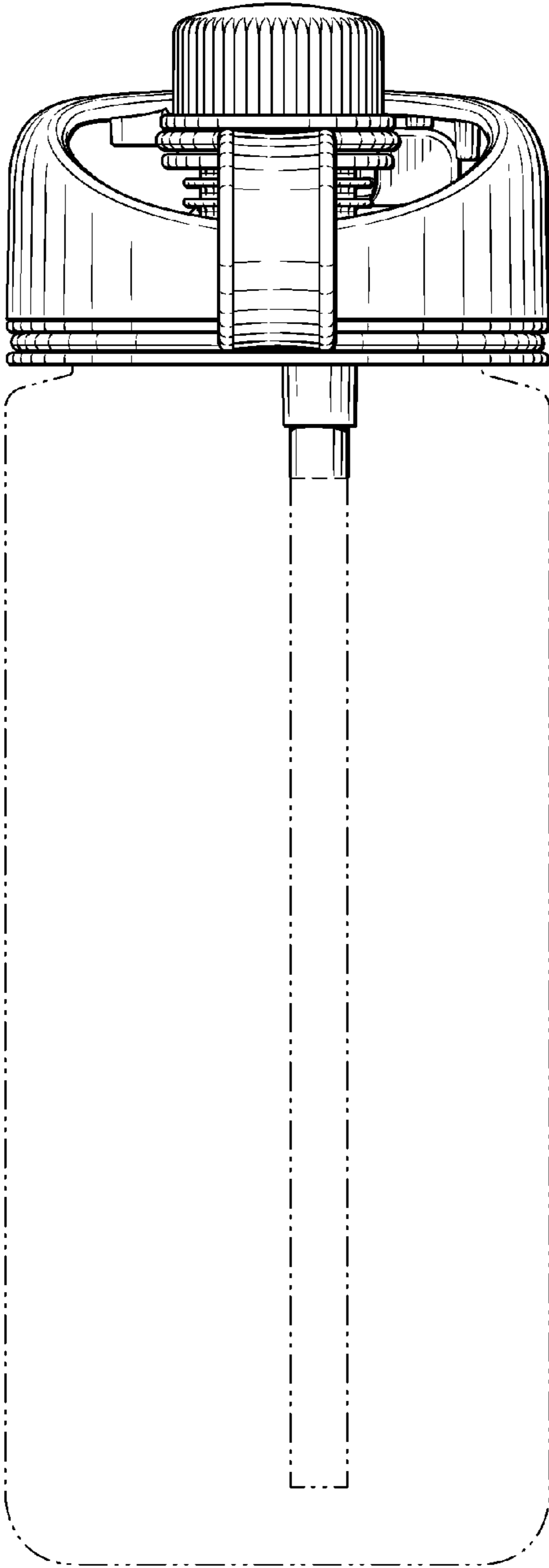


FIG. 12

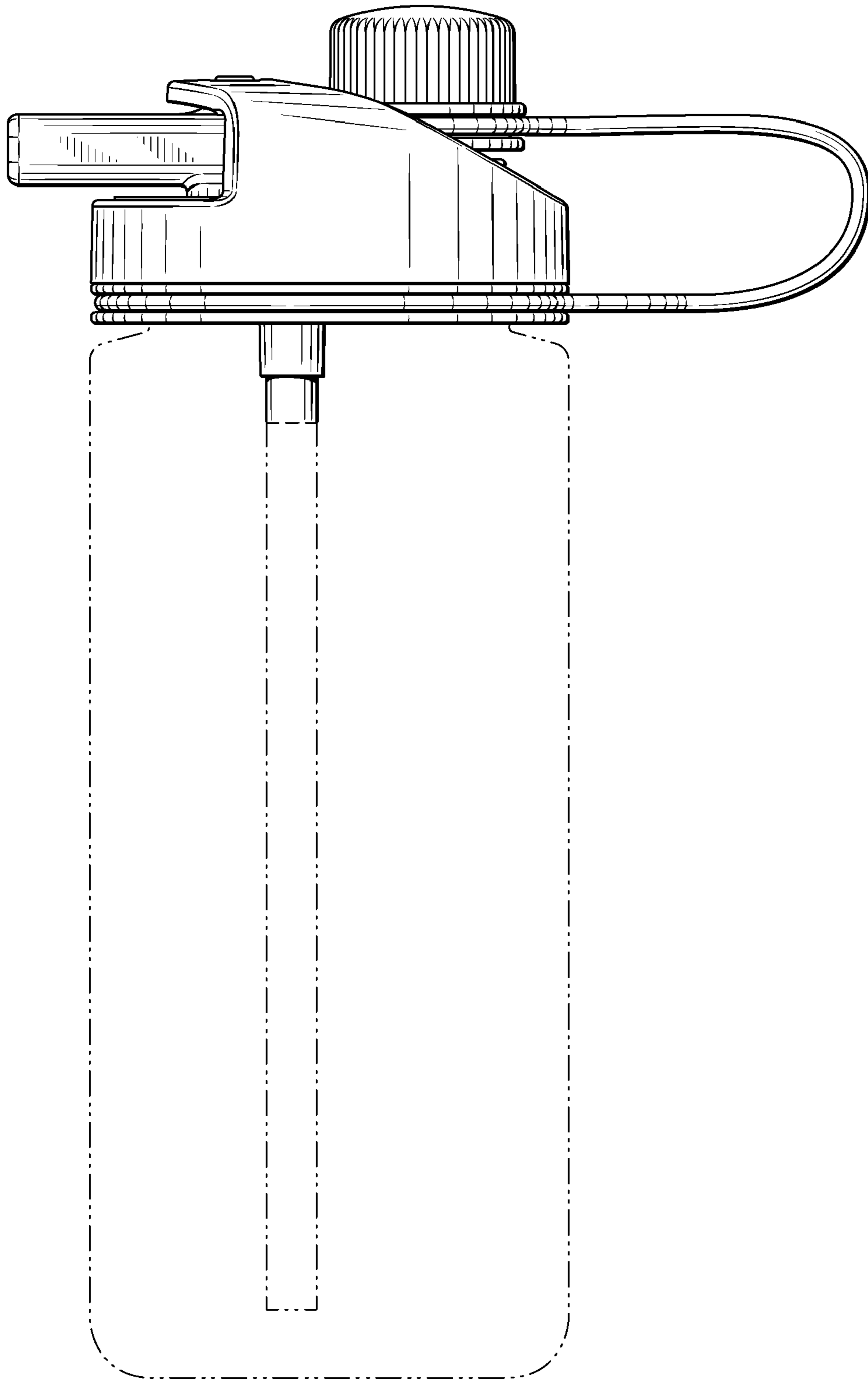


FIG. 13

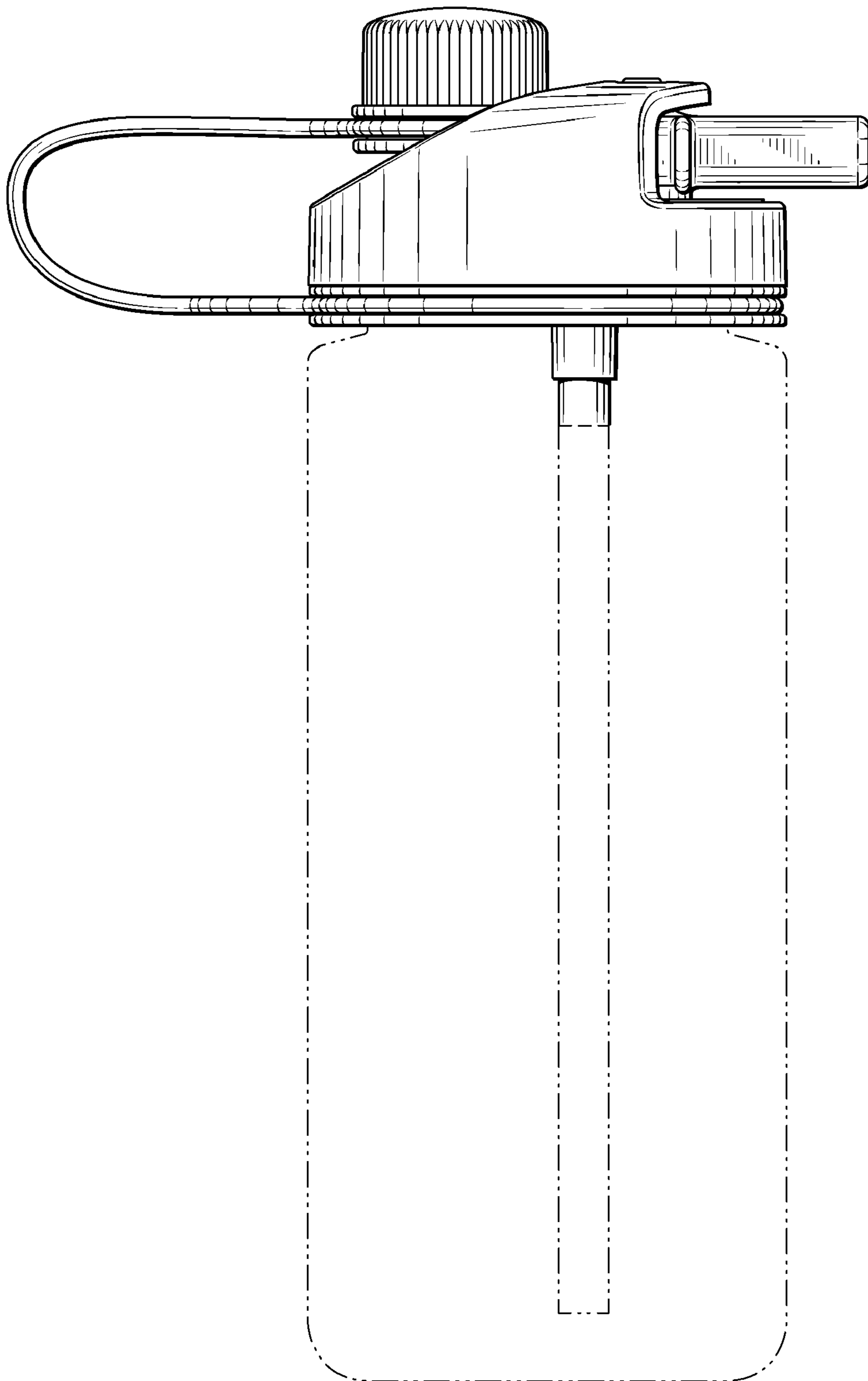


FIG. 14

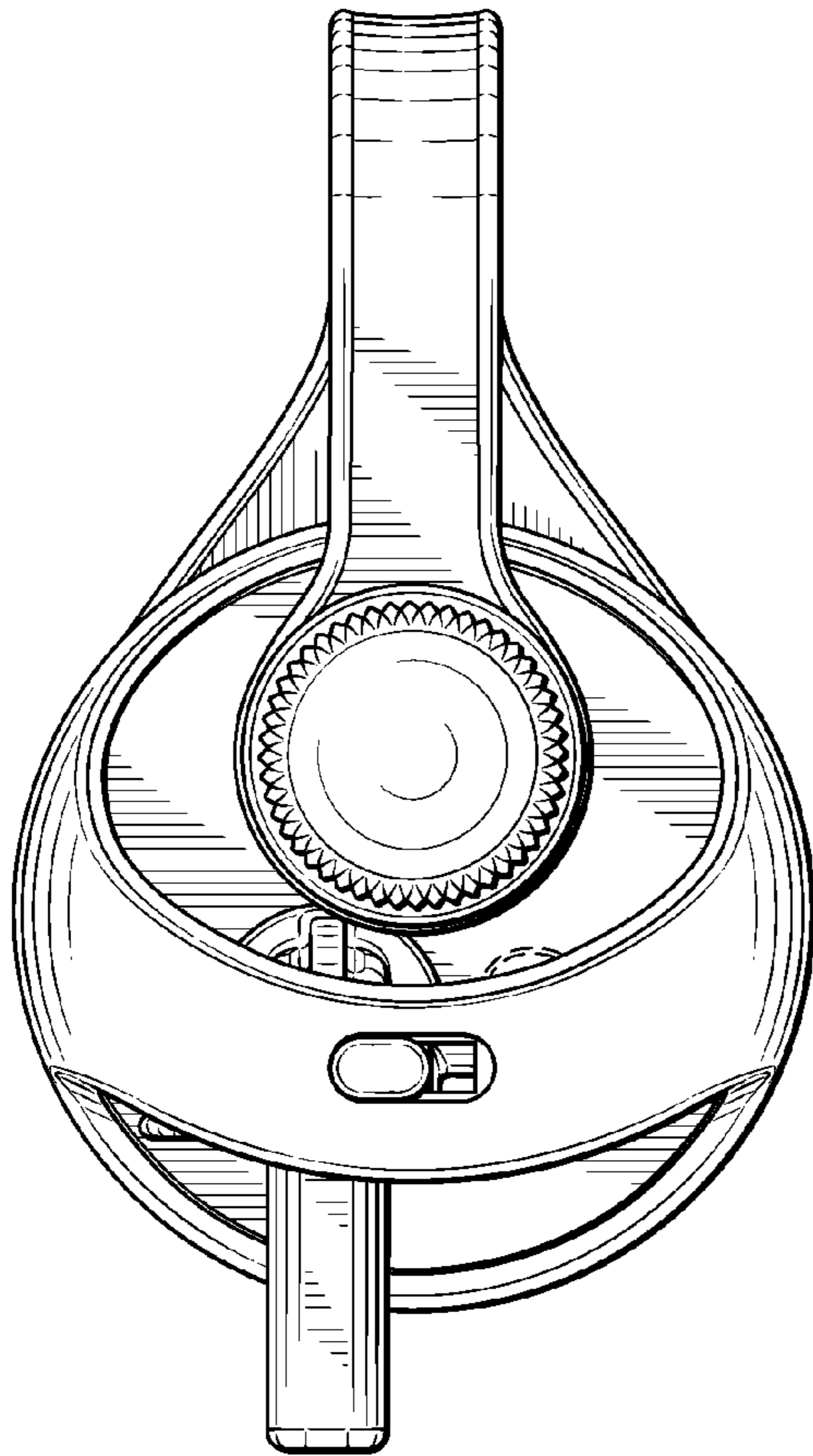


FIG. 15

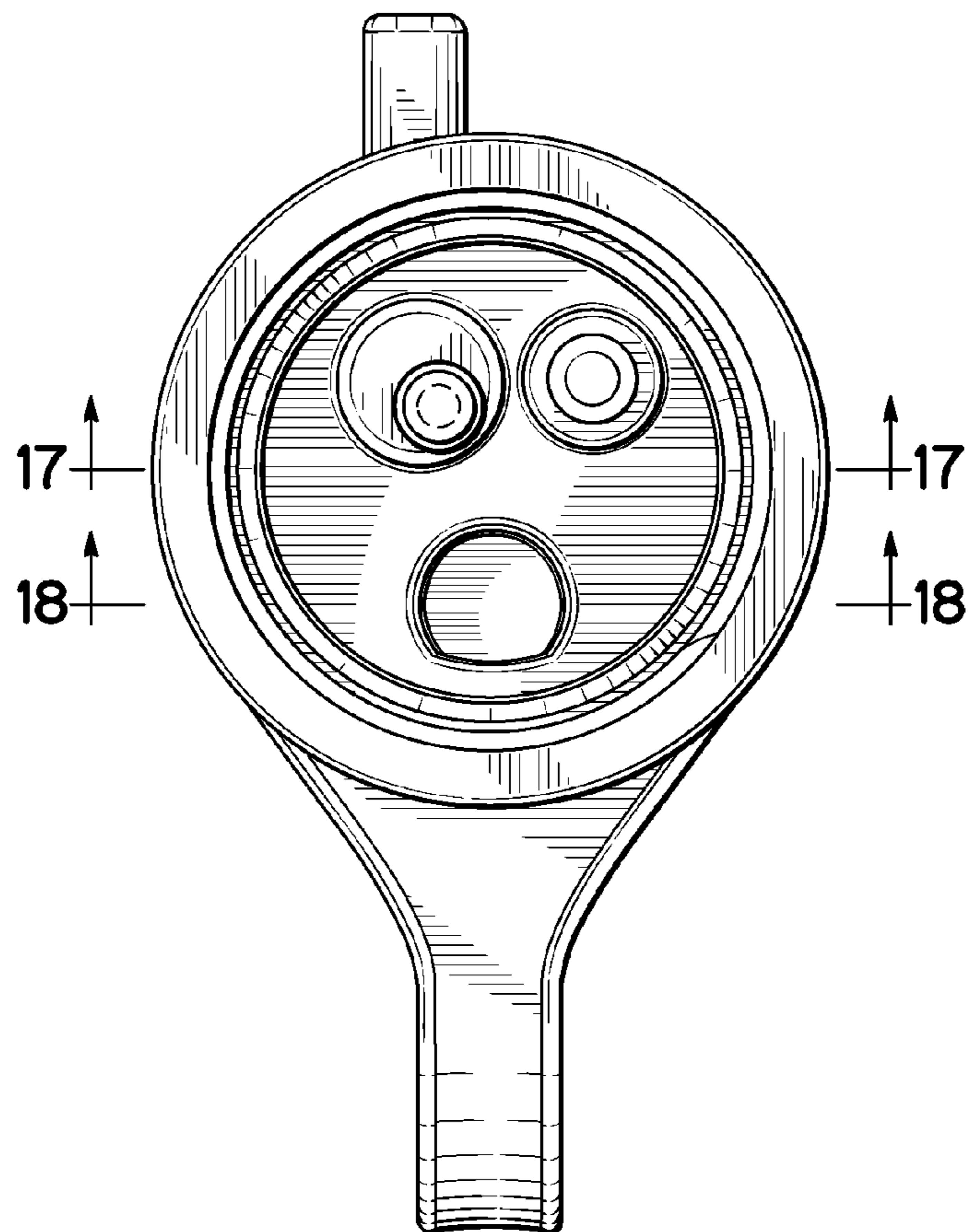


FIG. 16

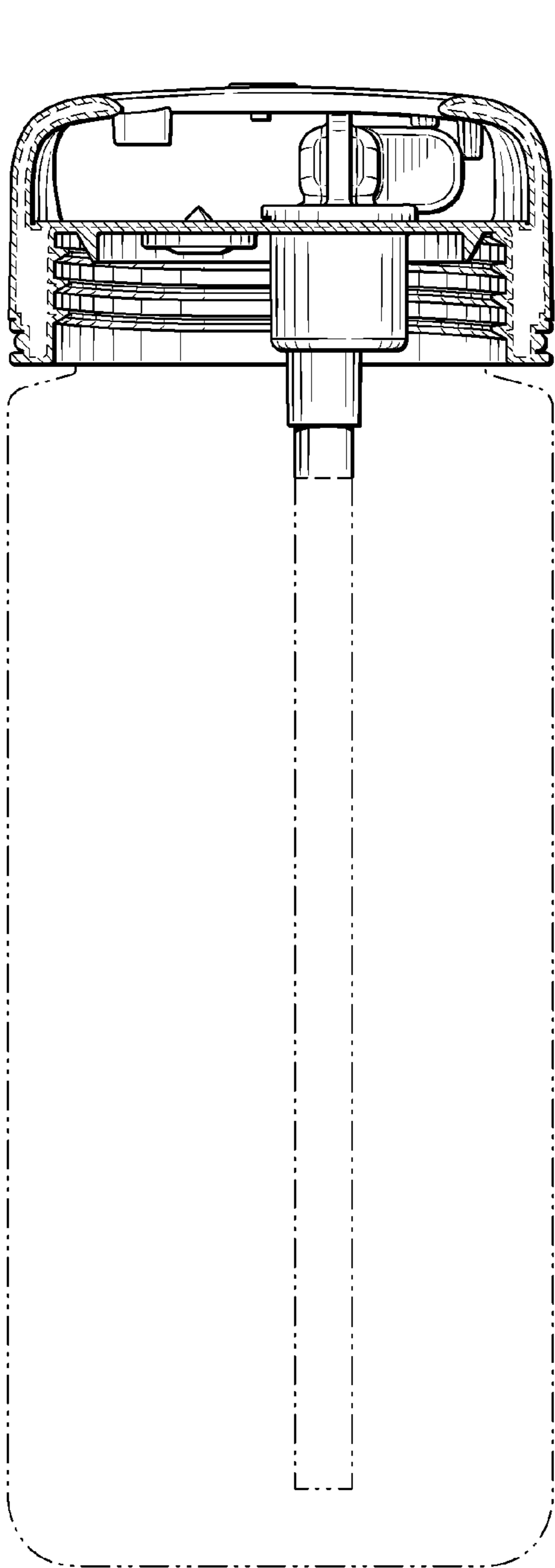


FIG. 17

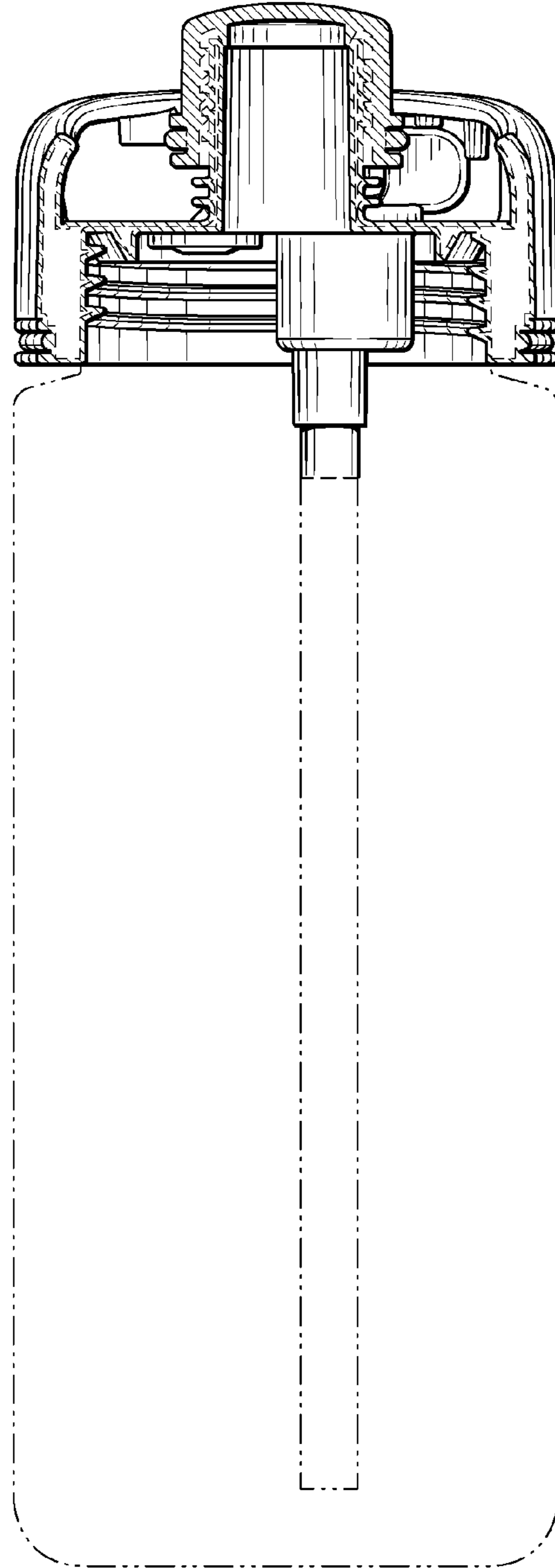


FIG. 18

UNITED STATES PATENT AND TRADEMARK OFFICE  
**CERTIFICATE OF CORRECTION**

PATENT NO. : D638,658 S  
APPLICATION NO. : 29/341817  
DATED : May 31, 2011  
INVENTOR(S) : John M. Staton

Page 1 of 1

It is certified that error appears in the above-identified patent and that said Letters Patent is hereby corrected as shown below:

Title Page, item (73);

Assignee, reads "Nalge Nune International Corporation" and should read -- Nalge Nunc International Corporation --.

Signed and Sealed this  
Twenty-seventh Day of September, 2011

A handwritten signature in black ink that reads "David J. Kappos". The signature is written in a cursive, slightly slanted style.

David J. Kappos  
*Director of the United States Patent and Trademark Office*