



US00D638655S

(12) **United States Design Patent**
Mohr

(10) **Patent No.:** **US D638,655 S**

(45) **Date of Patent:** **** May 31, 2011**

(54) **PATIO GRILL**

(75) Inventor: **Greg Mohr**, Bartlett, IL (US)

(73) Assignee: **Victory Land Group, Inc.**, Bartlett, IL (US)

(**) Term: **14 Years**

(21) Appl. No.: **29/362,097**

(22) Filed: **May 20, 2010**

(51) **LOC (9) Cl.** **07-02**

(52) **U.S. Cl.** **D7/335**

(58) **Field of Classification Search** D7/332-337,
D7/402-404; 126/25 R, 25 A, 25 B, 41 R,
126/39-30, 9 R, 8, 38, 4, 268, 276, 40, 50,
126/506; 99/481-482, 448

See application file for complete search history.

(56) **References Cited**

U.S. PATENT DOCUMENTS

D477,176 S *	7/2003	Wang	D7/336
D480,596 S *	10/2003	Dellinger et al.	D7/335
D483,983 S *	12/2003	Harrod et al.	D7/334
D520,802 S *	5/2006	McLemore et al.	D7/335
D548,514 S *	8/2007	Huang	D7/335
D618,484 S *	6/2010	Tzeng	D7/334
D618,951 S *	7/2010	Tzeng	D7/334
2008/0271728 A1 *	11/2008	Pai	126/25 R

OTHER PUBLICATIONS

“T-Grill” web page. (Believed to have been offered for sale, publicly used, and/or published prior to the filing date of this application.), <http://www.barbecuesgalore.ca/cooking.bpsx?CookingID=132>.

“Grandhall’s New T-Grill” web page. (Believed to have been offered for sale, publicly used, and/or published prior to the filing date of this application.), <http://www.bornrich.org/entry/grandhall-s-new-t-grill-looks-hot-cooks-hot/>.

* cited by examiner

Primary Examiner — Ruth McInroy

(74) *Attorney, Agent, or Firm* — Gifford, Krass, Sprinkle, Anderson & Citkowski, P.C.

(57) **CLAIM**

The ornamental design for patio grill, as shown and described.

DESCRIPTION

FIG. 1 is a front perspective view of a first embodiment of a patio grill showing my new design;

FIG. 2 is a front view of the embodiment of FIG. 1;

FIG. 3 is a rear view of the embodiment of FIG. 1;

FIG. 4 is a right side view of the embodiment of FIG. 1;

FIG. 5 is a left side view of the embodiment of FIG. 1;

FIG. 6 is a top view of the embodiment of FIG. 1;

FIG. 7 is a bottom view of the embodiment of FIG. 1;

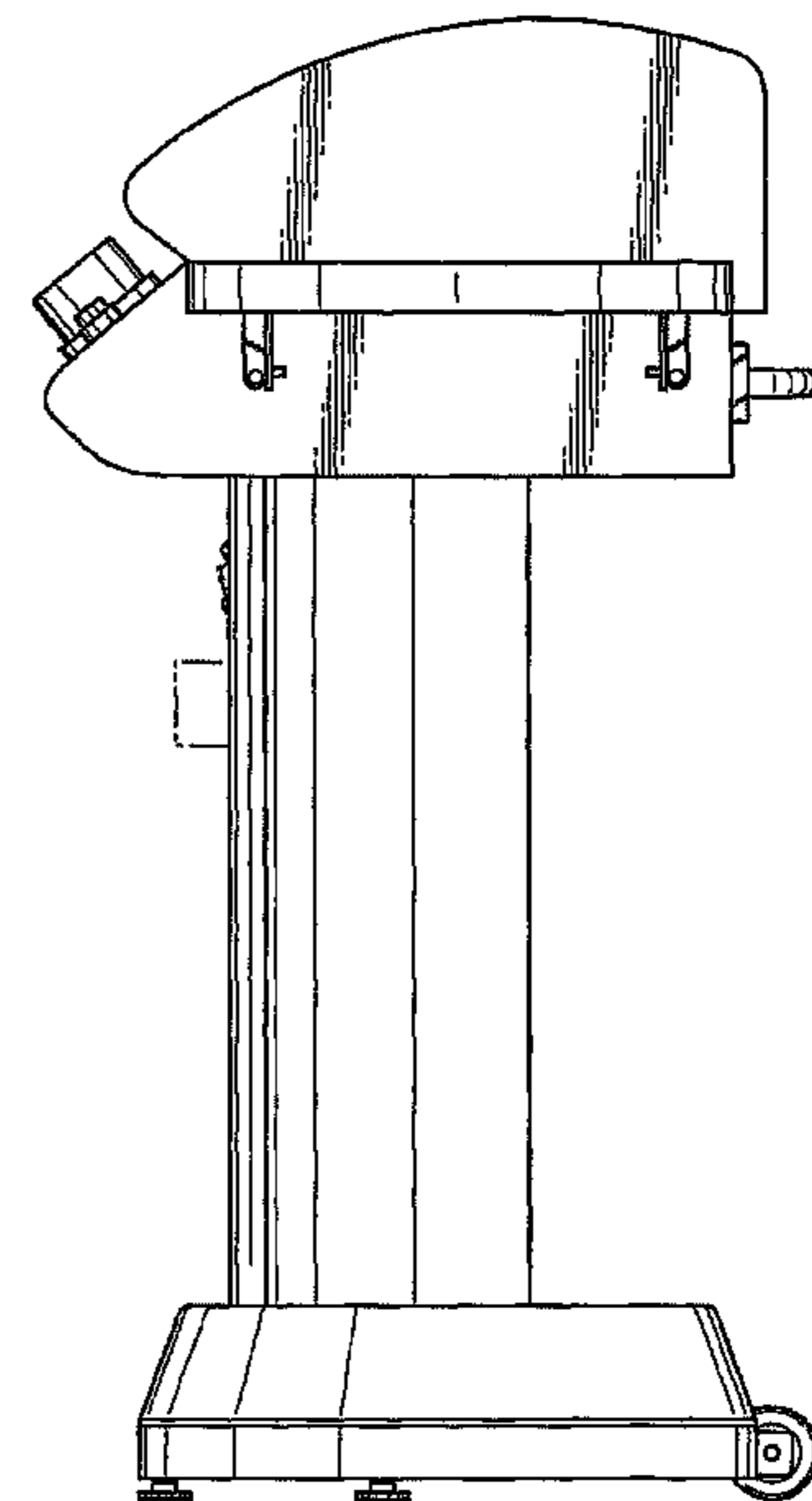
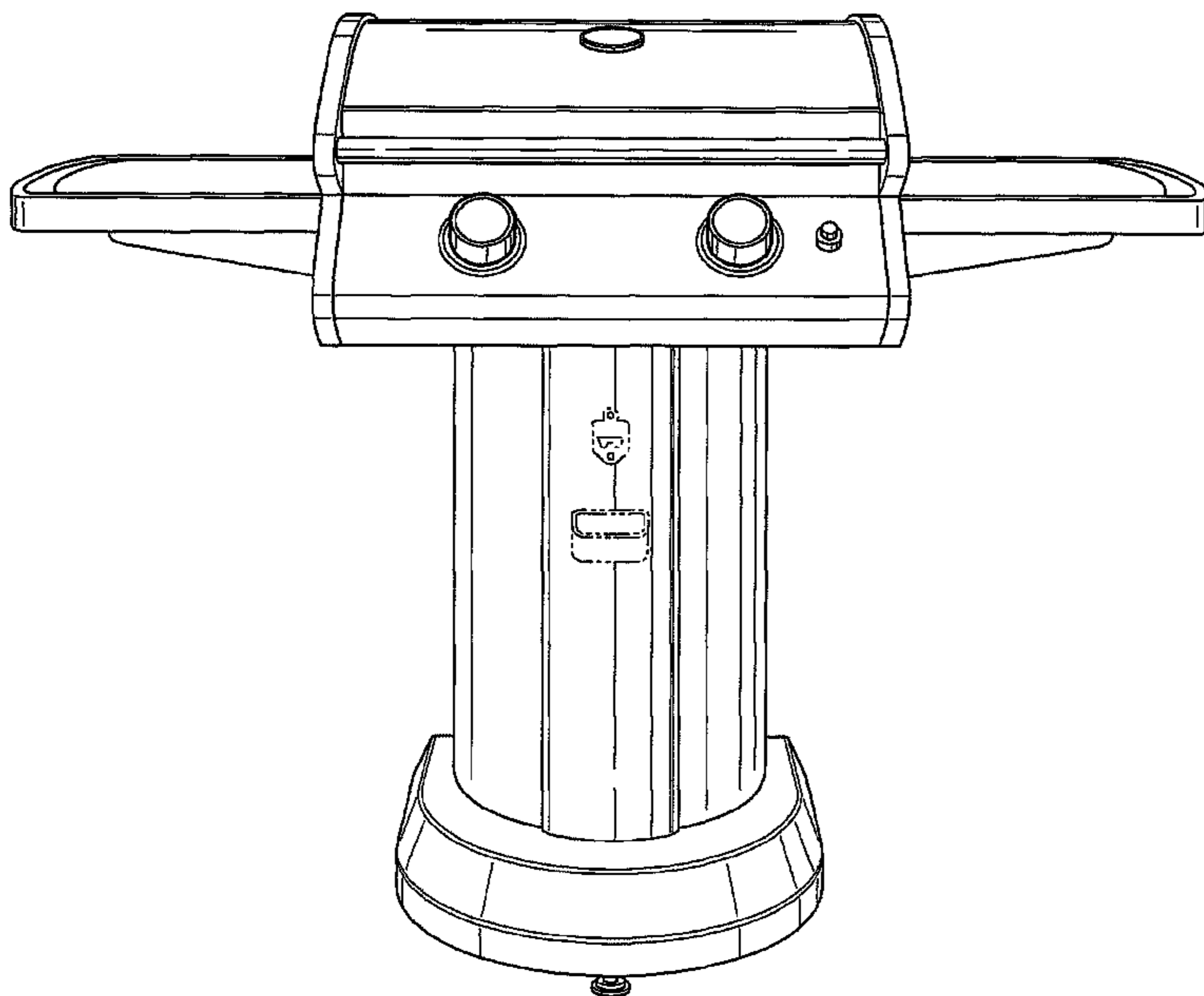
FIG. 8 is a front perspective view of a second embodiment thereof; and,

FIG. 9 is a top view of the embodiment of FIG. 8.

The details shown in broken lines form no part of the claimed design.

The sides, rear and bottom views of the embodiment of FIG. 8 are identical to the corresponding views of the embodiment of FIG. 1.

1 Claim, 8 Drawing Sheets



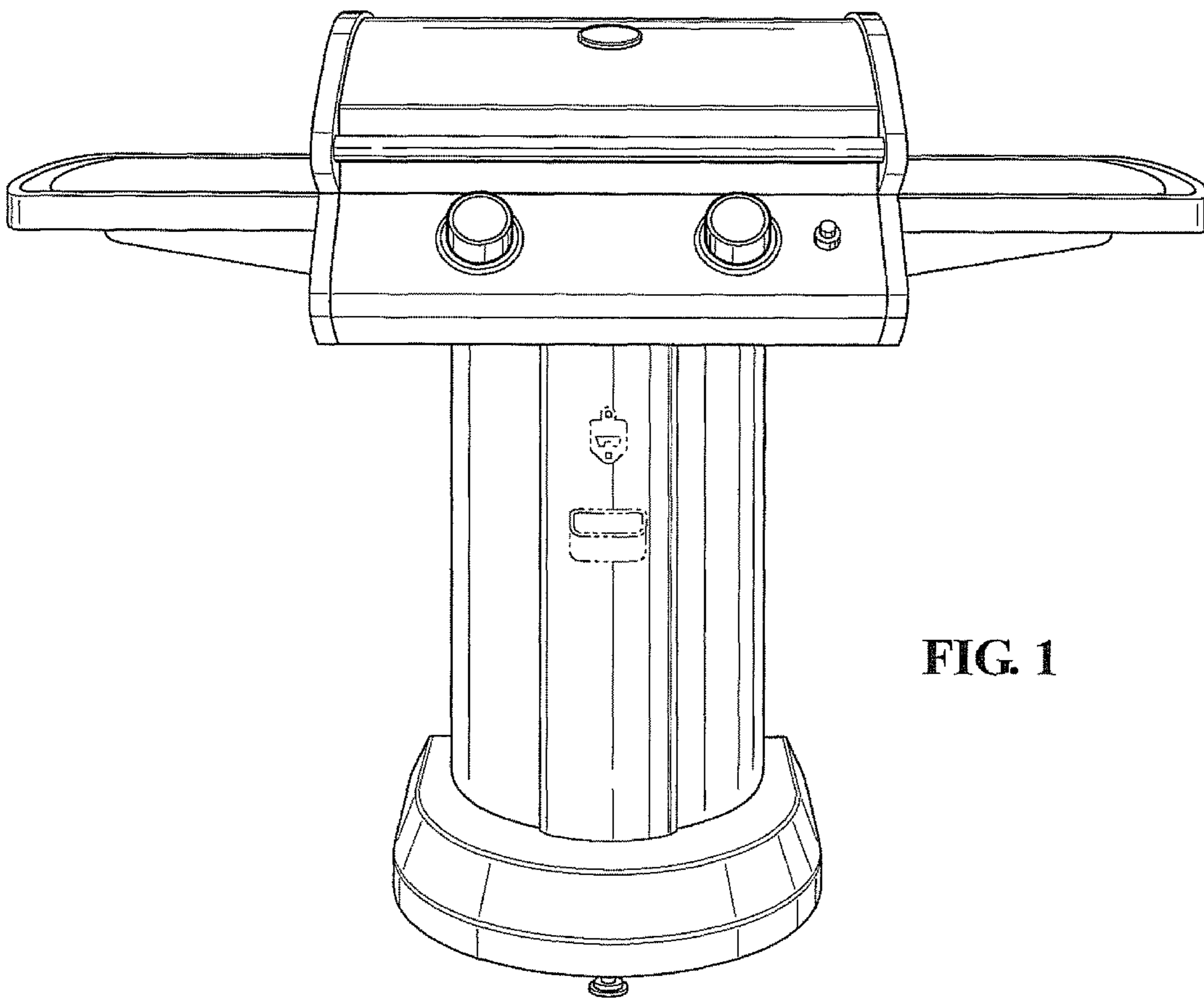


FIG. 1

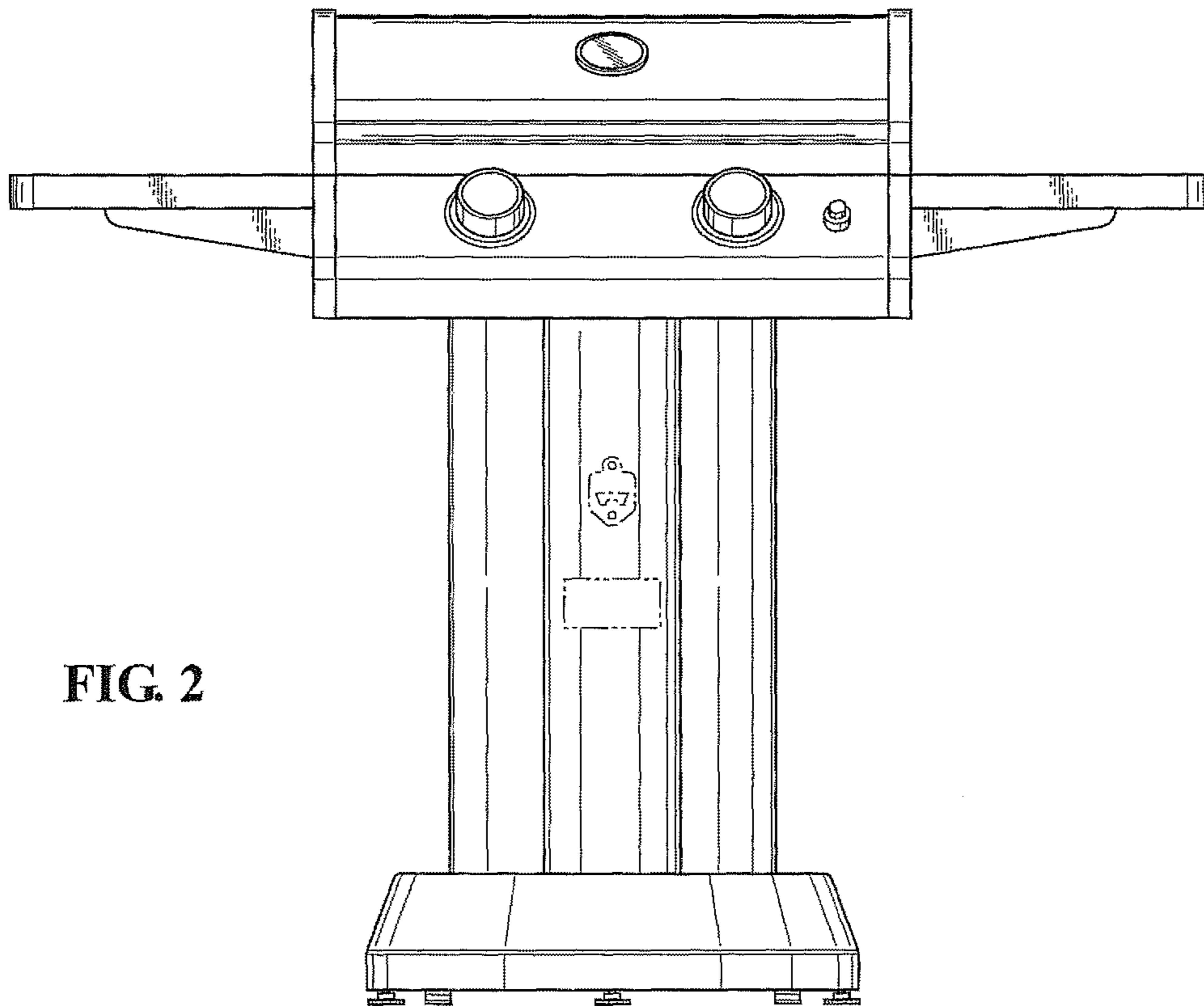


FIG. 2

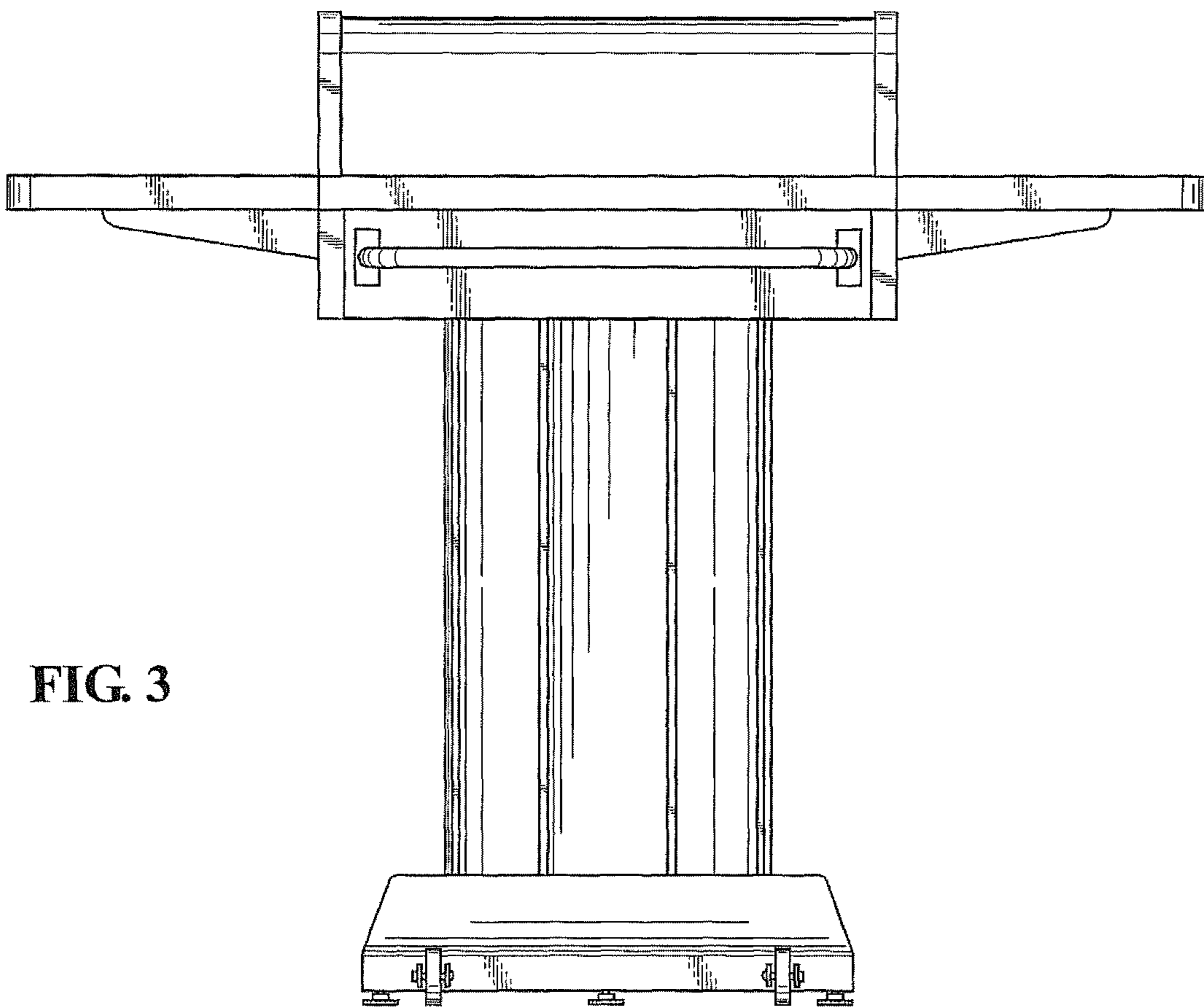


FIG. 3

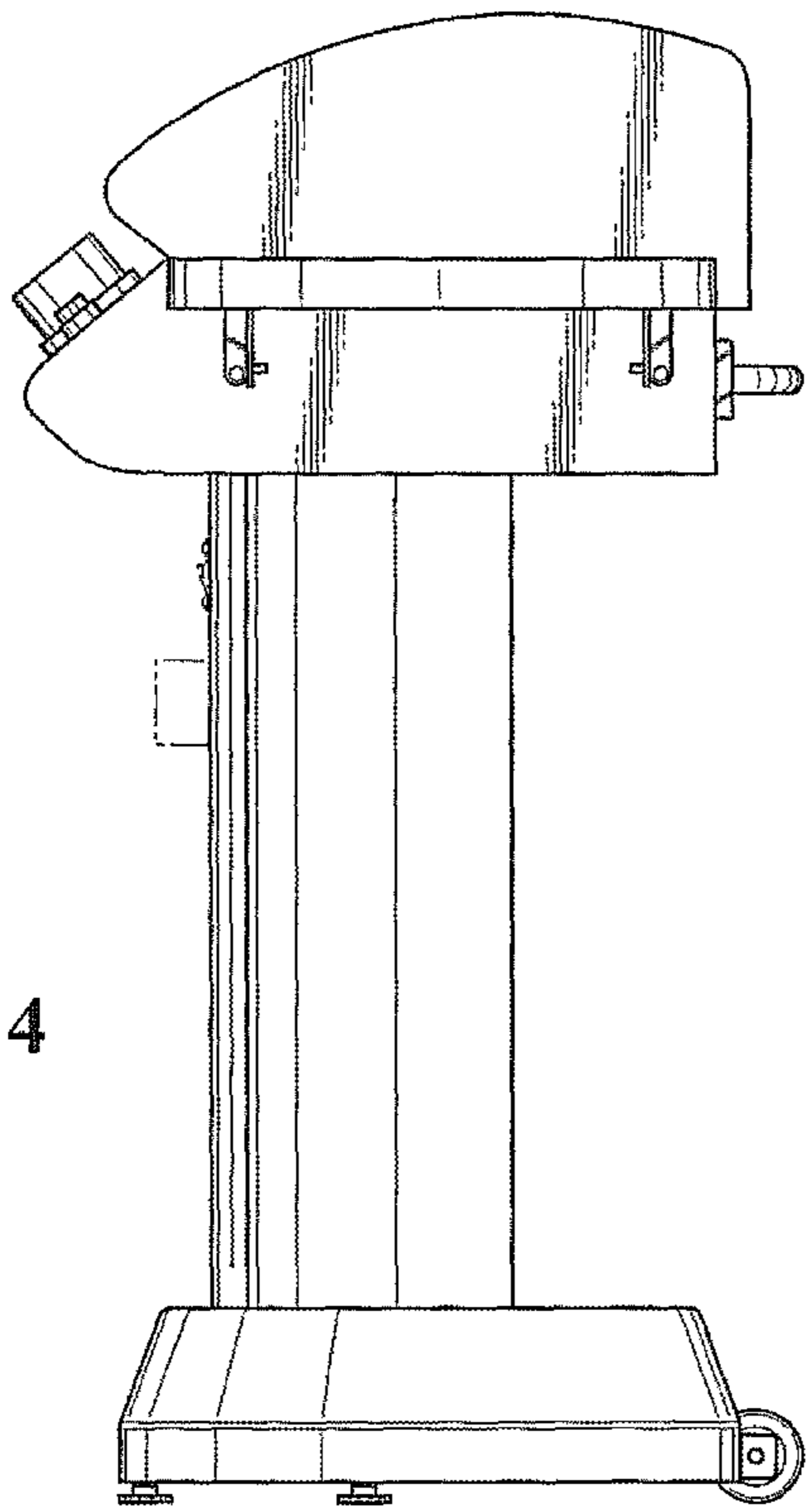


FIG. 4

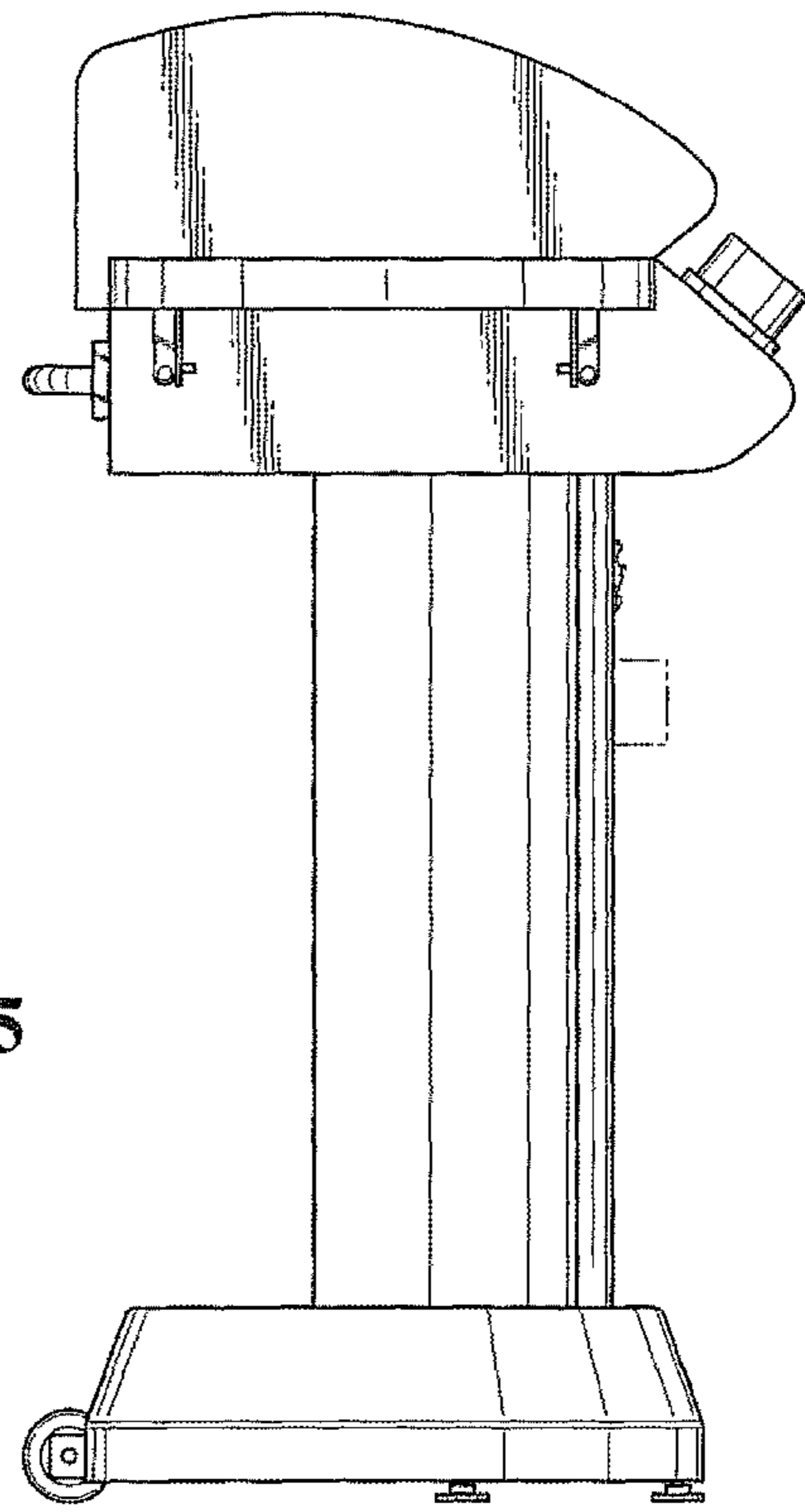


FIG. 5

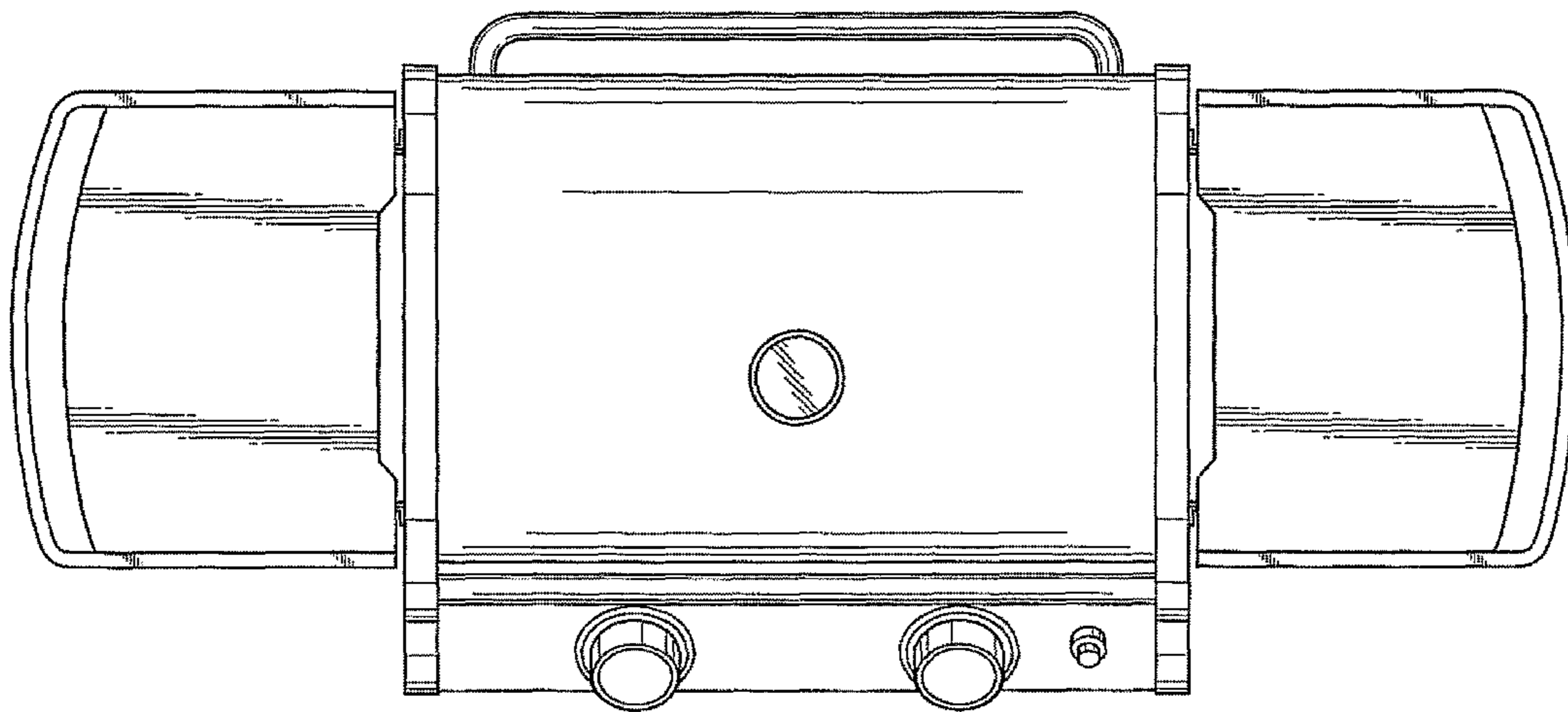


FIG. 6

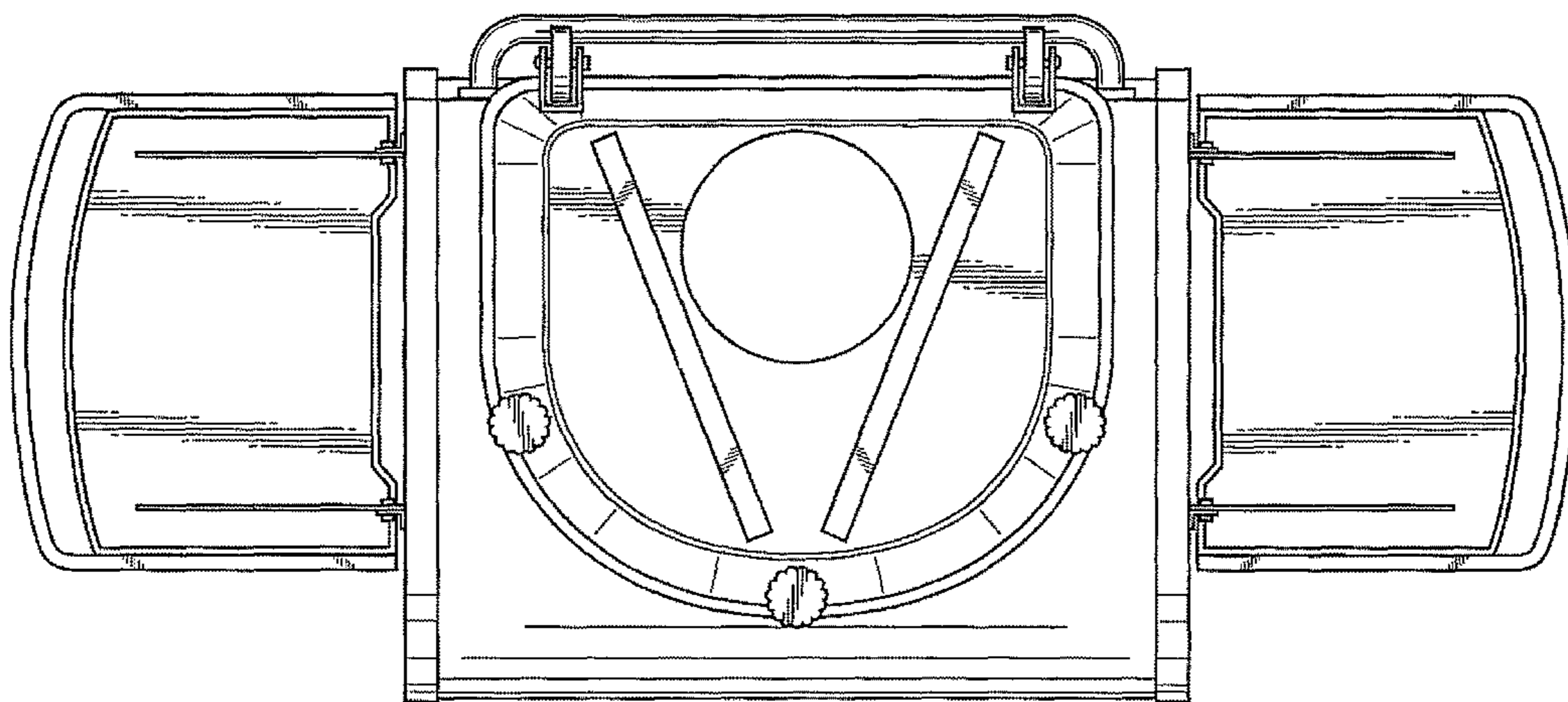


FIG. 7

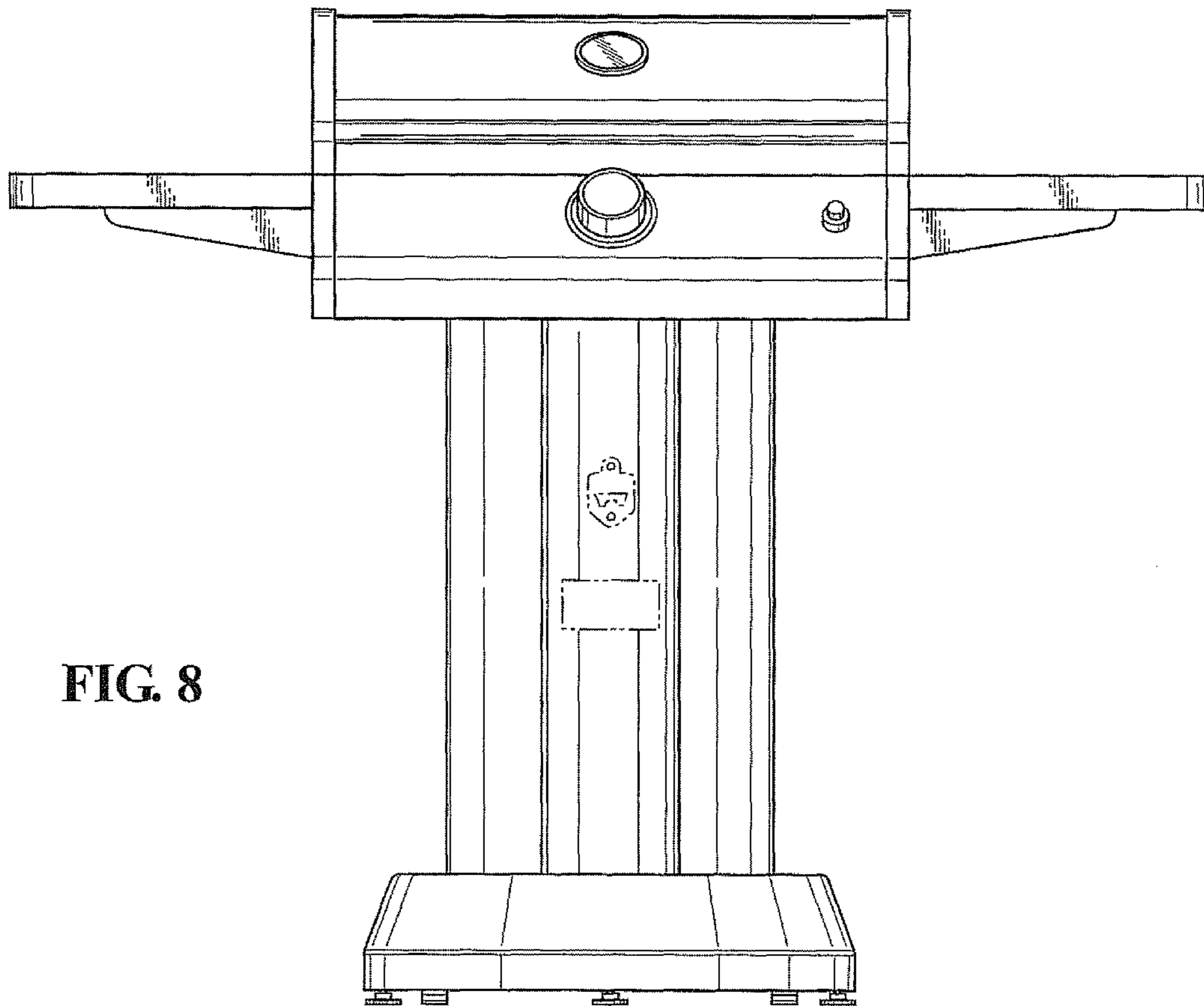


FIG. 8

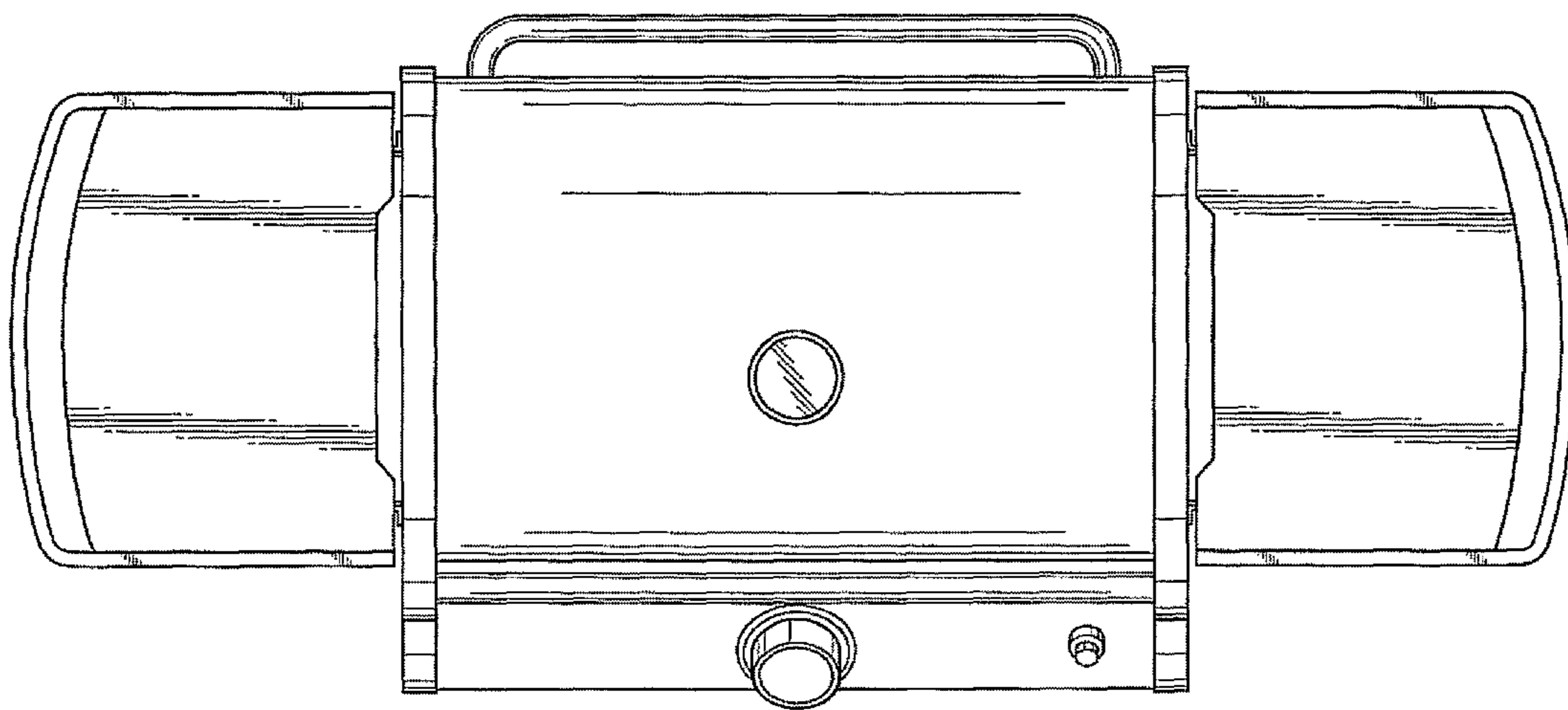


FIG. 9