



US00D638653S

(12) **United States Design Patent**  
**Borin**

(10) **Patent No.:** **US D638,653 S**

(45) **Date of Patent:** **\*\* May 31, 2011**

(54) **BABYFOOD HEATER**

(56) **References Cited**

(75) Inventor: **Giacomo Borin**, Pordenone (IT)  
(73) Assignees: **De'Longhi Appliances SRL Con Unico Socio**, Treviso (TV) (IT); **Artsana SpA**, Grandate (CO) (IT)

(\*\*) Term: **14 Years**

(21) Appl. No.: **29/379,268**

(22) Filed: **Nov. 17, 2010**

(30) **Foreign Application Priority Data**

May 17, 2010 (EM) ..... 1214639-0001

(51) **LOC (9) Cl.** ..... **07-02**

(52) **U.S. Cl.** ..... **D7/326; D7/378; D7/384**

(58) **Field of Classification Search** ..... D7/300,  
D7/305-311, 317-318, 372-373, 376-386,  
D7/397, 412-415; D24/220; 99/279-281,  
99/300, 306-307, 348, 509-511; 222/105,  
222/129.1-129.4, 146.1-146.2, 146.4-146.6;  
241/30-37.5, 101.01-101.2, 166-169.1,  
241/199.12, 285.1-285.3, 291, 292.1; 366/64-67,  
366/98, 142, 197-211, 241-254, 279-292,  
366/341-347; 392/333

See application file for complete search history.

U.S. PATENT DOCUMENTS

|              |      |         |                     |            |
|--------------|------|---------|---------------------|------------|
| 3,385,950    | A *  | 5/1968  | Lipor .....         | 392/333    |
| D235,608     | S *  | 7/1975  | Yoshida et al. .... | D7/378     |
| D347,966     | S *  | 6/1994  | Doggett .....       | D7/378     |
| D348,797     | S *  | 7/1994  | Brady .....         | D7/386     |
| D383,642     | S *  | 9/1997  | Feil .....          | D7/376     |
| D385,149     | S *  | 10/1997 | Feil .....          | D7/378     |
| D387,239     | S *  | 12/1997 | Johnstone .....     | D7/326     |
| D389,696     | S *  | 1/1998  | Feil .....          | D7/386     |
| D475,238     | S *  | 6/2003  | Feil .....          | D7/376     |
| D569,988     | S *  | 5/2008  | Koop .....          | D24/220    |
| D591,558     | S *  | 5/2009  | Barnard et al. .... | D7/412     |
| D594,696     | S *  | 6/2009  | Day et al. ....     | D7/378     |
| 2002/0027175 | A1 * | 3/2002  | Capp .....          | 241/199.12 |

\* cited by examiner

*Primary Examiner* — Ricky Pham

(74) *Attorney, Agent, or Firm* — Hamre, Schumann, Mueller & Larson, P.C.

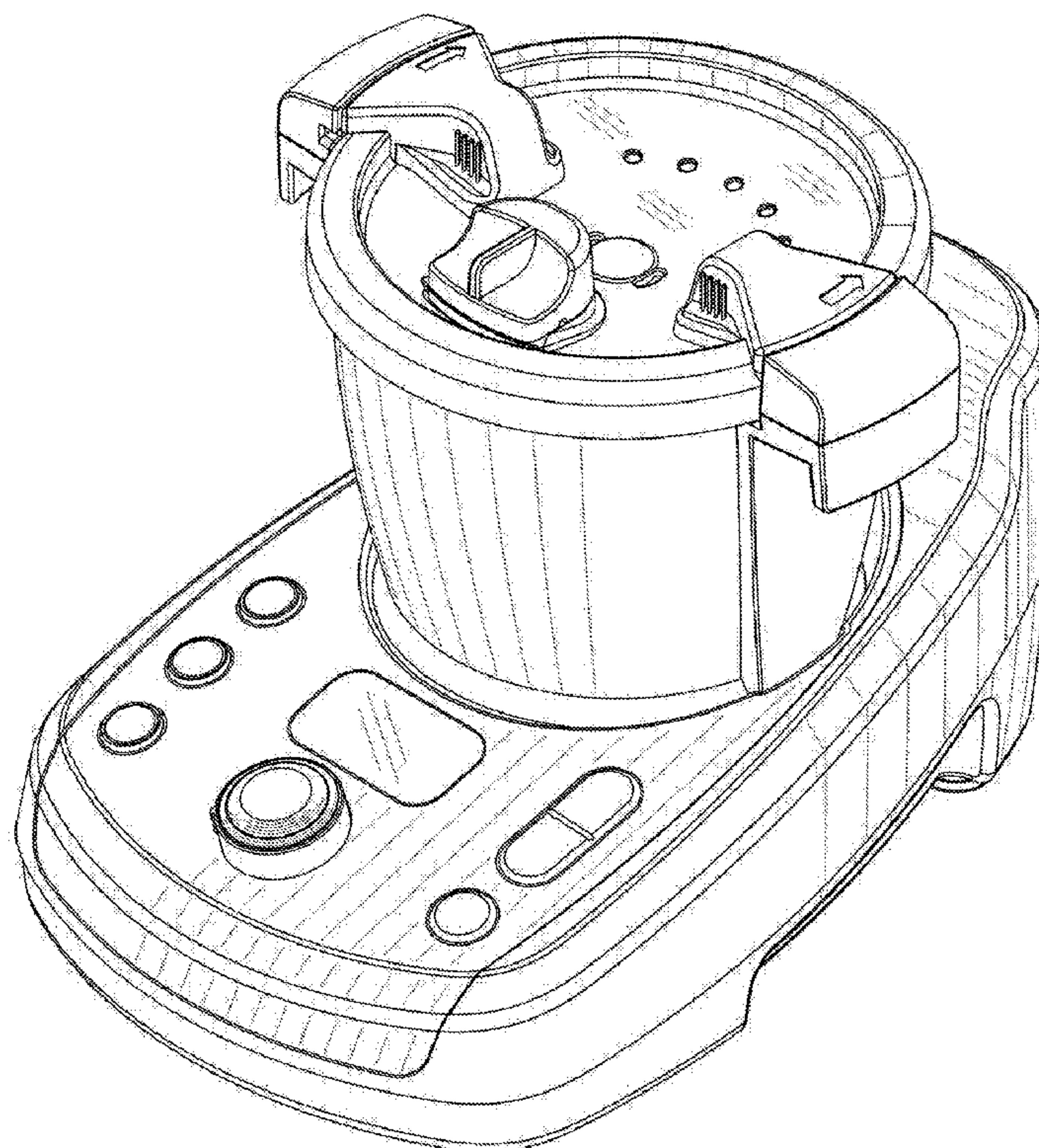
(57) **CLAIM**

The ornamental design for a babyfood heater, as shown and described.

**DESCRIPTION**

FIG. 1 is a front right perspective view of a babyfood heater showing my new design;  
FIG. 2 is a front view thereof;  
FIG. 3 is a back view thereof;  
FIG. 4 is a left side view thereof;  
FIG. 5 is a right side view thereof;  
FIG. 6 is a top view thereof; and,  
FIG. 7 is a bottom view thereof.

**1 Claim, 7 Drawing Sheets**





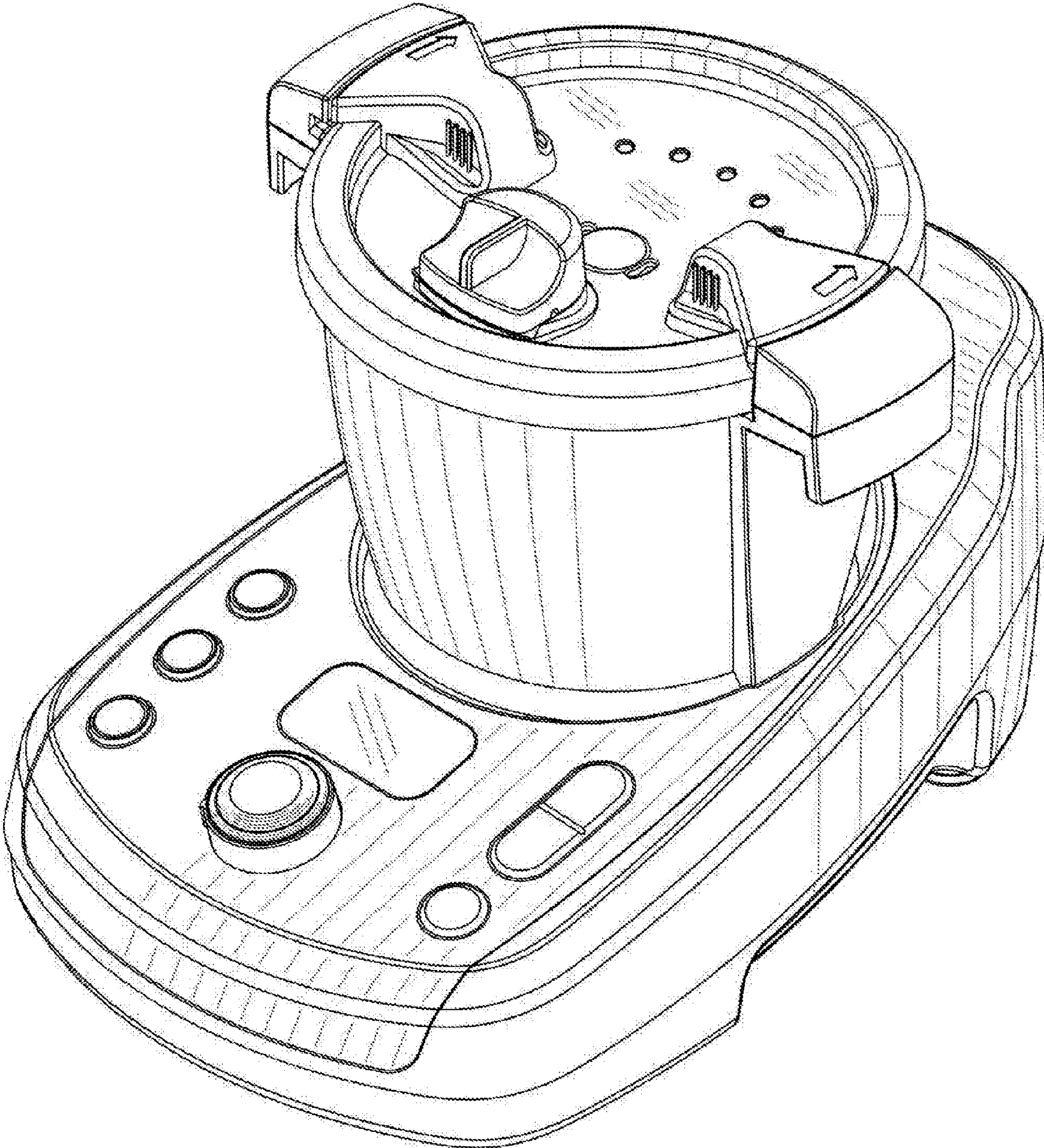


Figure 1

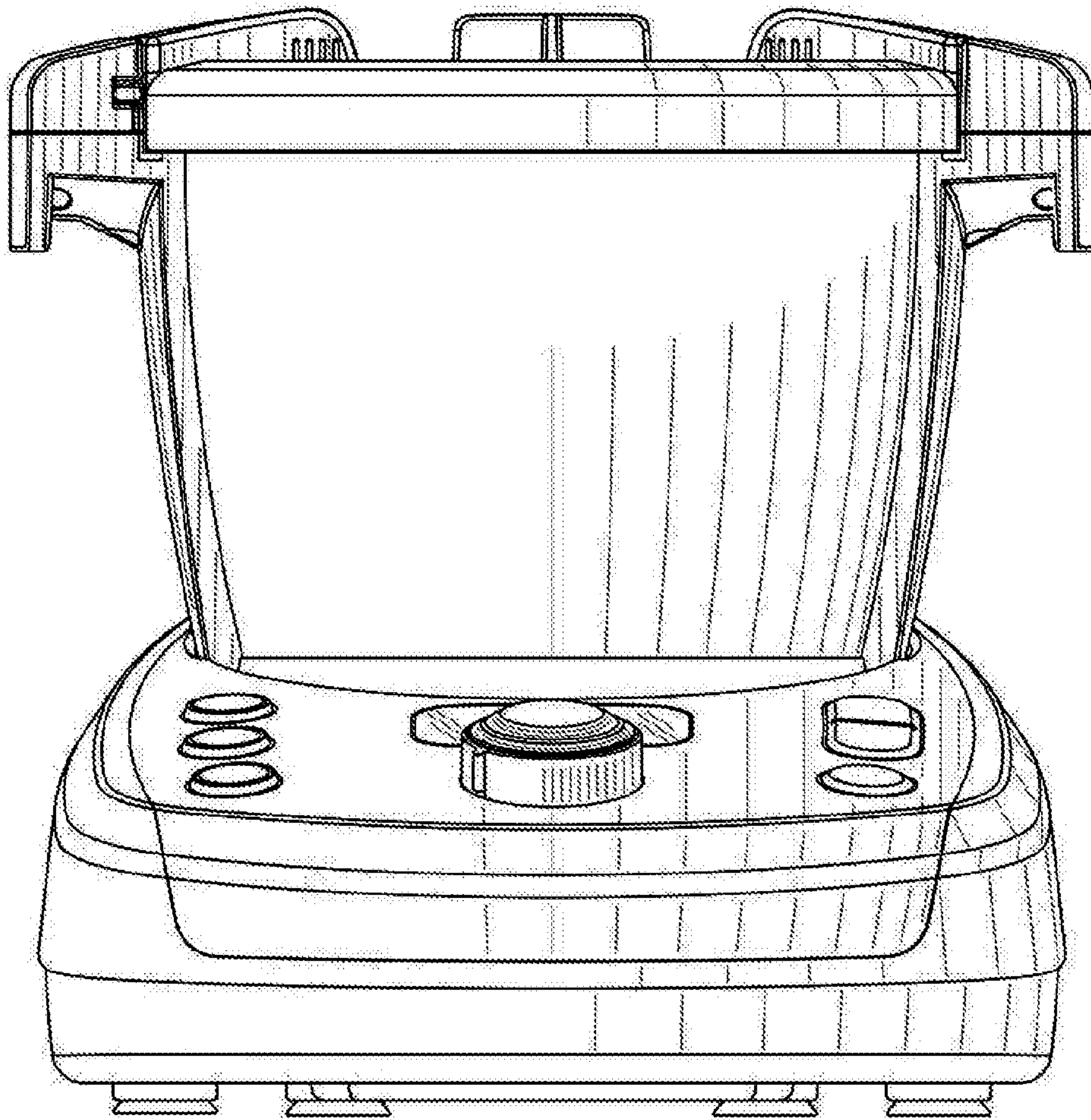


Figure 2



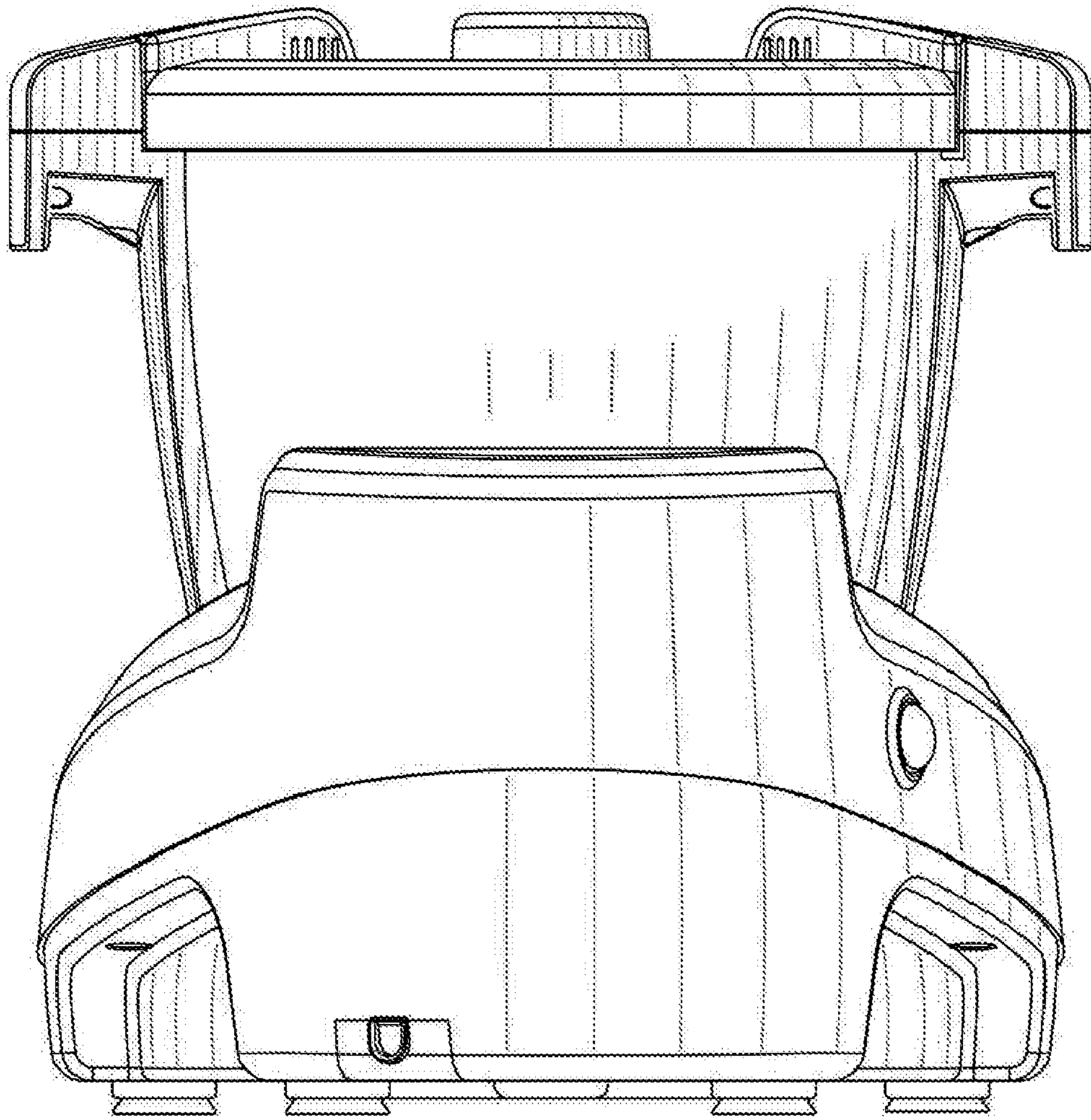


Figure 3

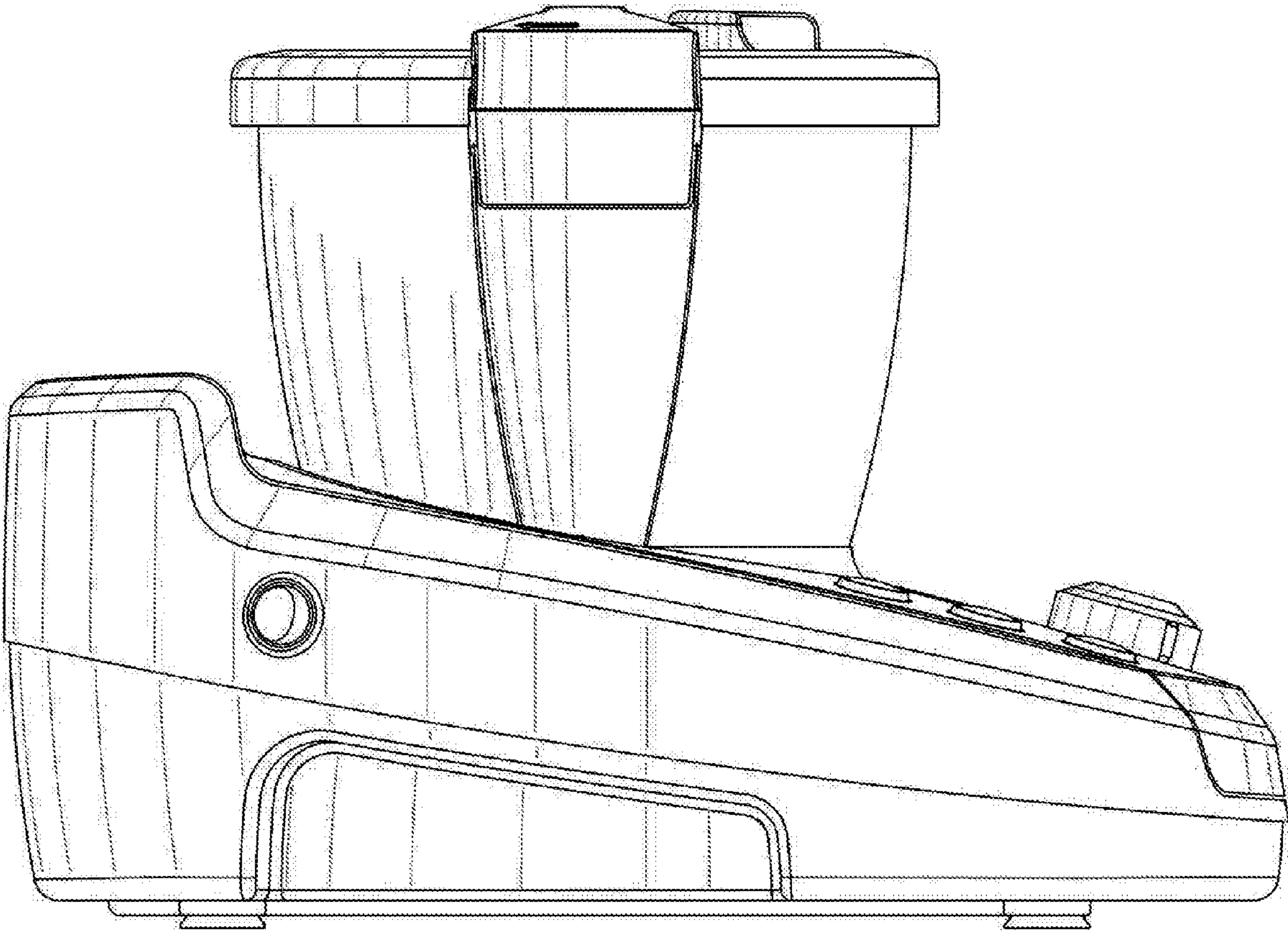


Figure 4

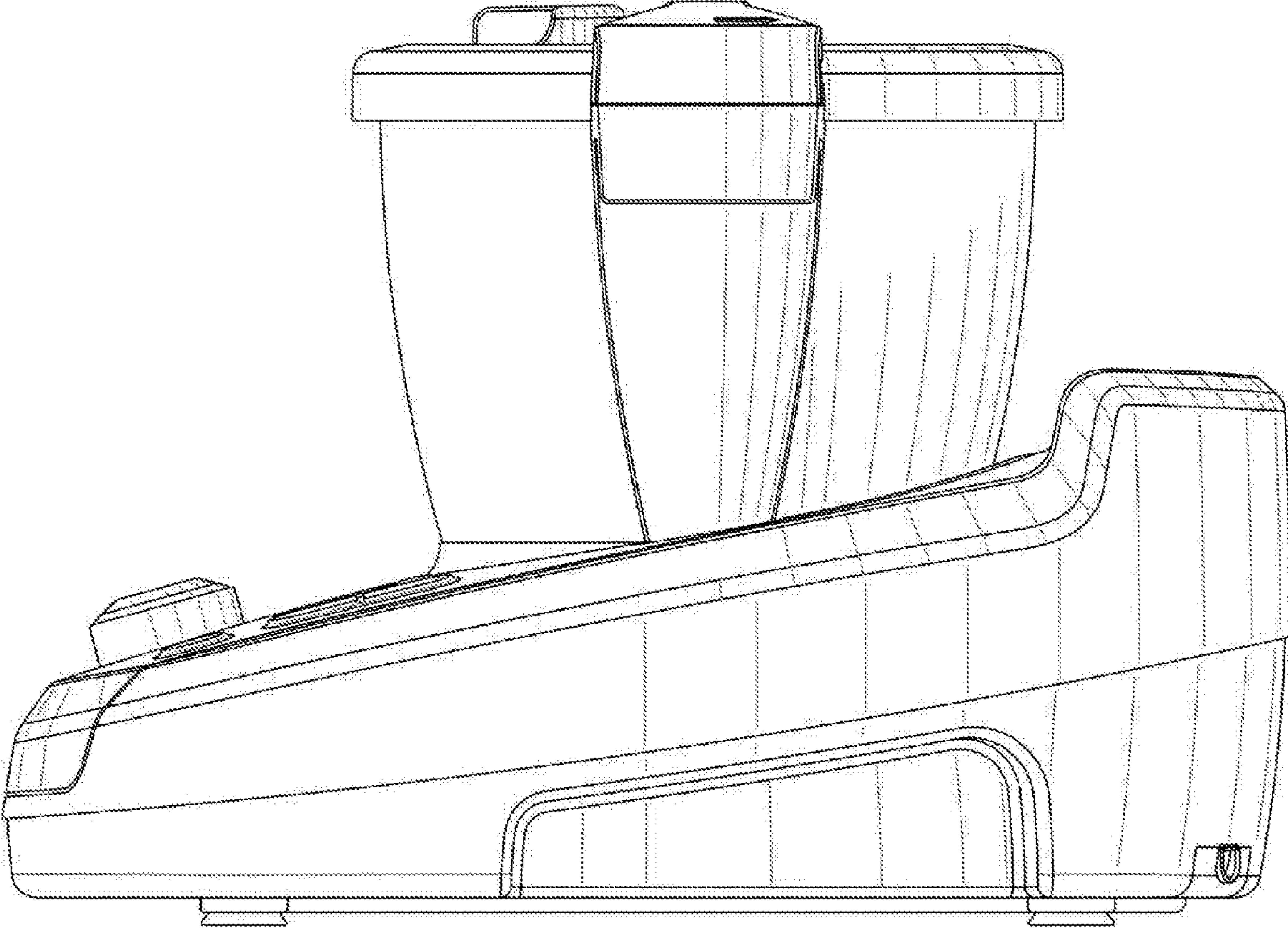


Figure 5



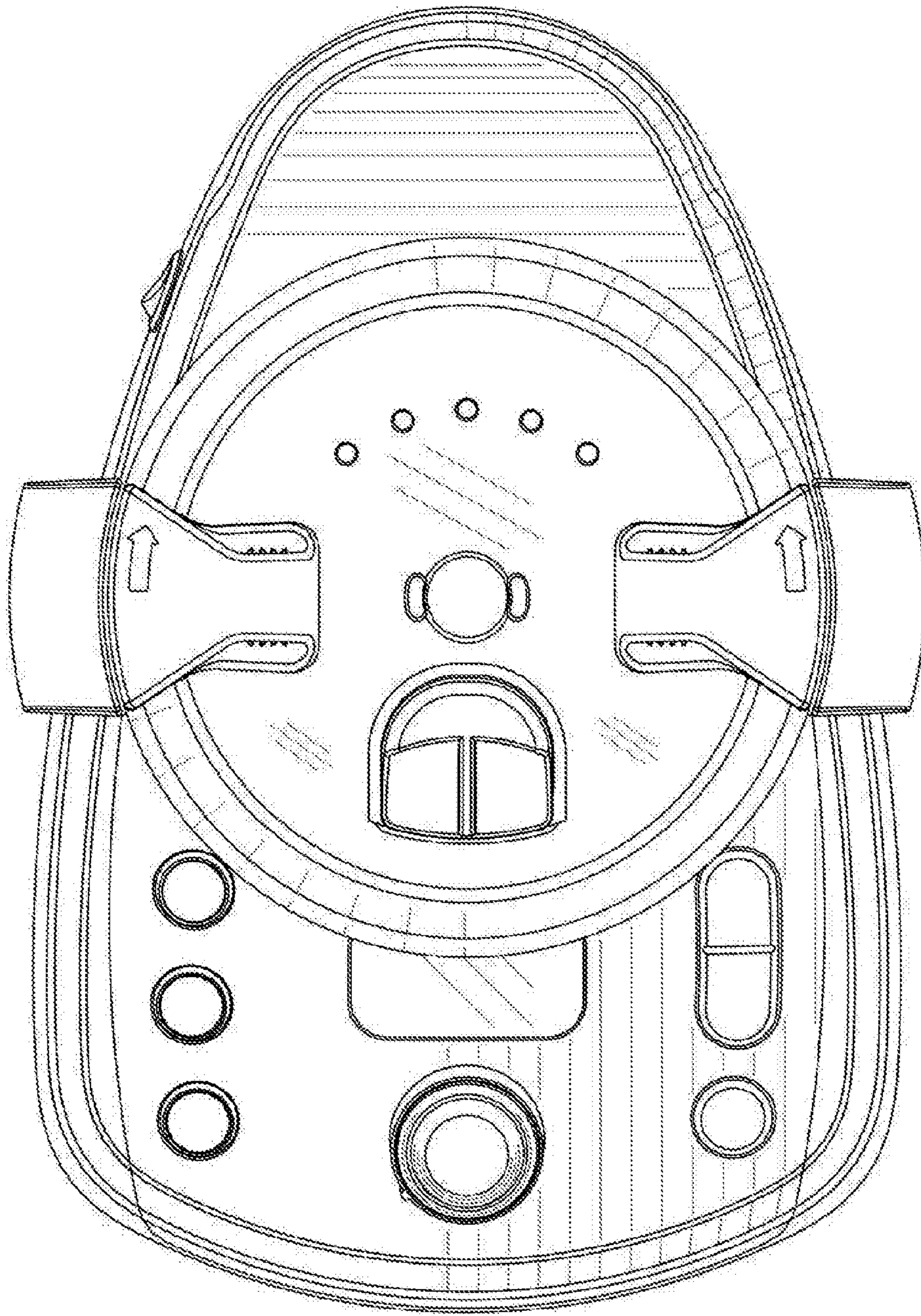


Figure 6

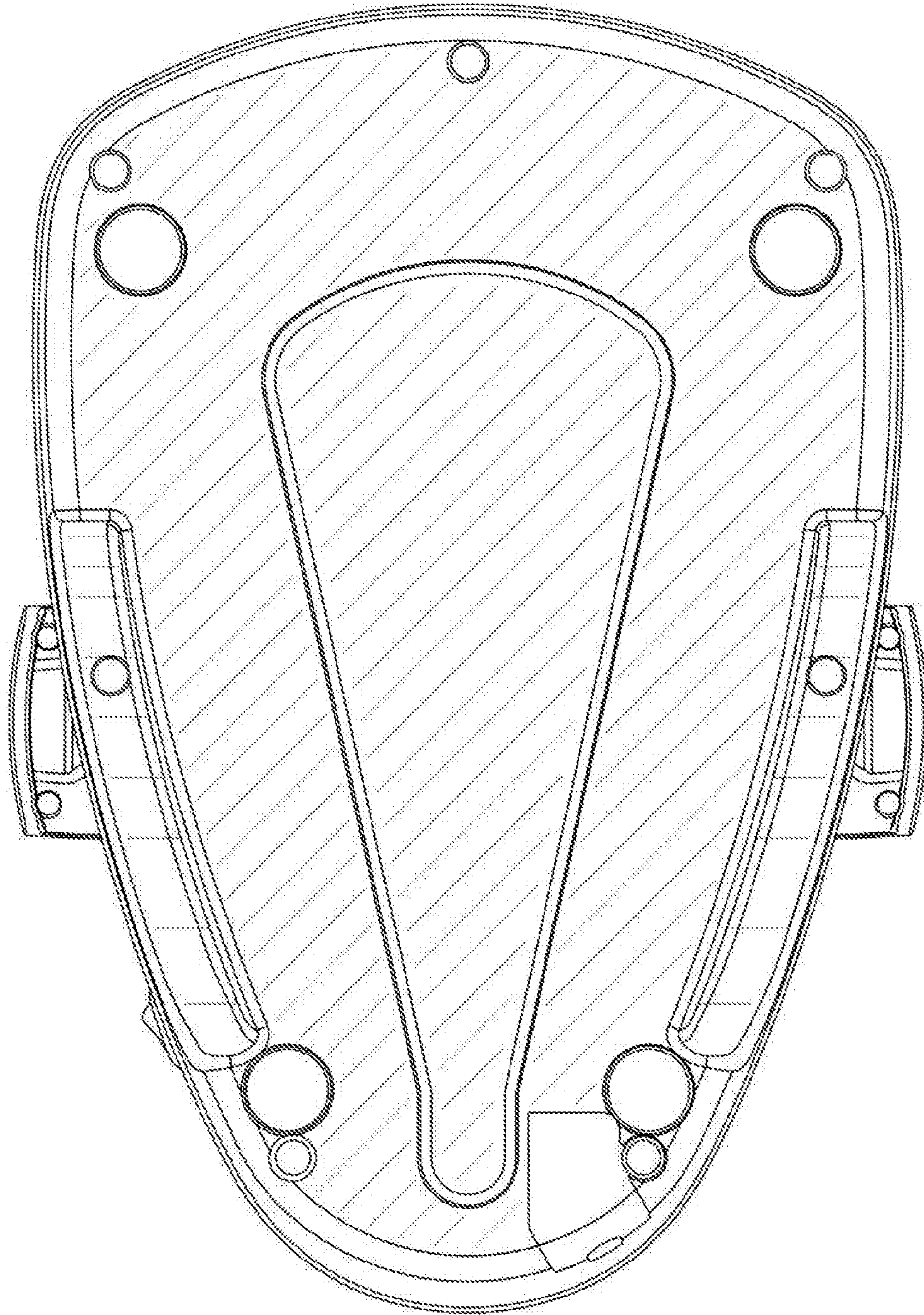


Figure 7