



US00D638652S

(12) **United States Design Patent**  
**Arch**

(10) **Patent No.:** **US D638,652 S**

(45) **Date of Patent:** **\*\* May 31, 2011**

(54) **COFFEE POT**

(75) **Inventor:** **Jeff Arch**, Flintshire (GB)

(73) **Assignee:** **The Greenfield Group Limited**, North Wales (GB)

(\*\*) **Term:** **14 Years**

(21) **Appl. No.:** **29/361,952**

(22) **Filed:** **May 18, 2010**

(30) **Foreign Application Priority Data**

Nov. 18, 2009 (EM) ..... 001179394

(51) **LOC (9) Cl.** ..... **07-01**

(52) **U.S. Cl.** ..... **D7/318; D7/317**

(58) **Field of Classification Search** ..... D7/300,  
D7/316-319, 312; 99/303, 279, 293, 285  
See application file for complete search history.

(56) **References Cited**

**U.S. PATENT DOCUMENTS**

|               |        |           |       |        |
|---------------|--------|-----------|-------|--------|
| D38,504 S *   | 4/1907 | Paroutaud | ..... | D7/317 |
| D42,612 S *   | 6/1912 | Sanford   | ..... | D7/317 |
| D165,827 S *  | 2/1952 | Cowan     | ..... | D7/319 |
| 3,935,804 A * | 2/1976 | Perez     | ..... | 99/293 |

|               |         |               |       |         |
|---------------|---------|---------------|-------|---------|
| 4,038,914 A * | 8/1977  | Crespo et al. | ..... | 99/279  |
| 4,491,040 A * | 1/1985  | Corona        | ..... | 81/3.09 |
| 4,557,187 A * | 12/1985 | DePonti       | ..... | 99/279  |
| D299,105 S *  | 12/1988 | Sun           | ..... | D7/317  |
| D377,291 S *  | 1/1997  | Ahern, Jr.    | ..... | D7/319  |
| D399,384 S *  | 10/1998 | Ranzoni       | ..... | D7/318  |
| 5,894,785 A * | 4/1999  | Molinari      | ..... | 99/303  |
| D504,046 S *  | 4/2005  | Fuentes       | ..... | D7/318  |
| D532,244 S *  | 11/2006 | Ancona        | ..... | D7/318  |
| D538,579 S *  | 3/2007  | Ranzoni       | ..... | D7/318  |
| D548,509 S *  | 8/2007  | Ancona        | ..... | D7/318  |

\* cited by examiner

*Primary Examiner* — Marianne Pandozzi

(74) *Attorney, Agent, or Firm* — Notaro, Michalos & Zaccaria P.C.

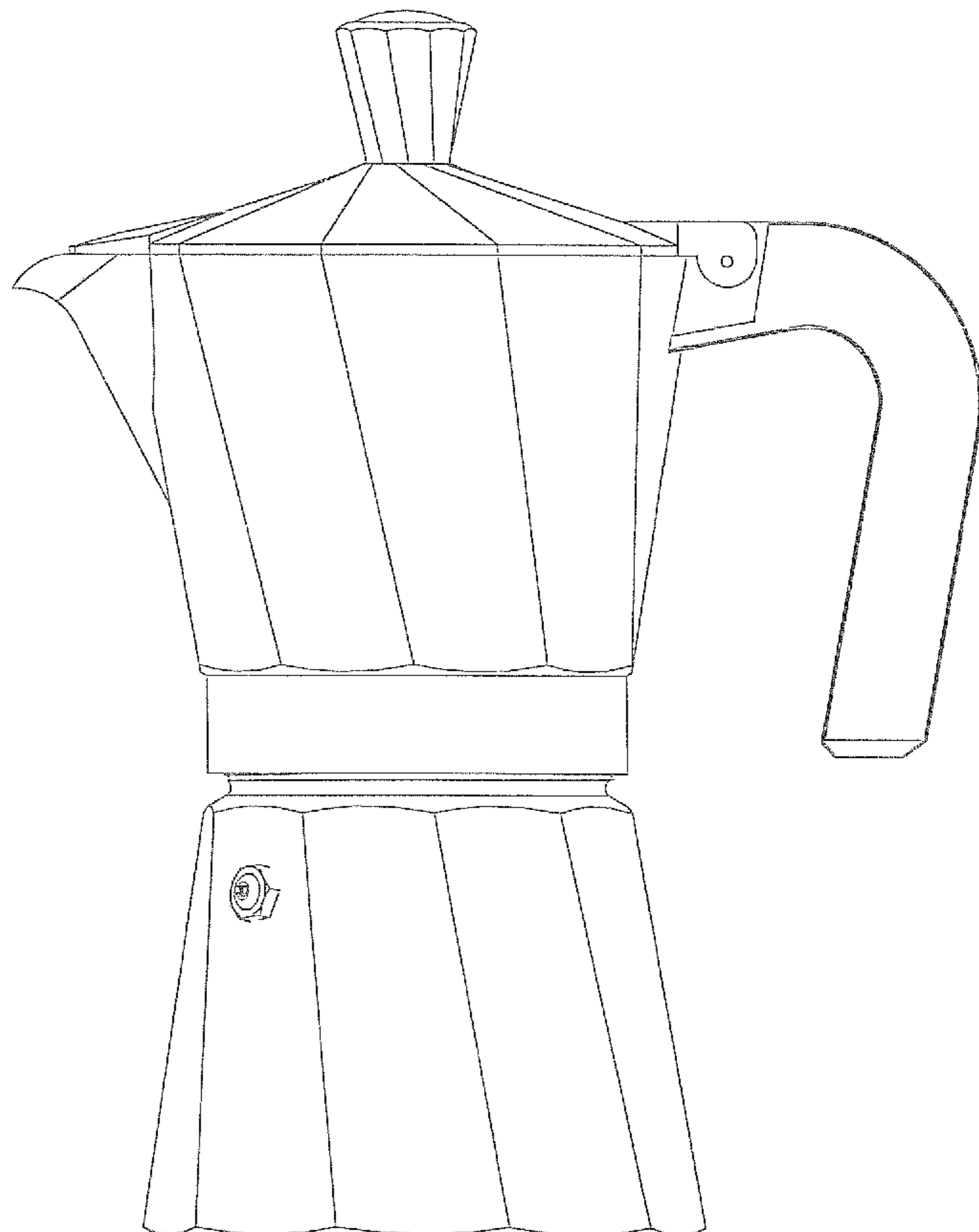
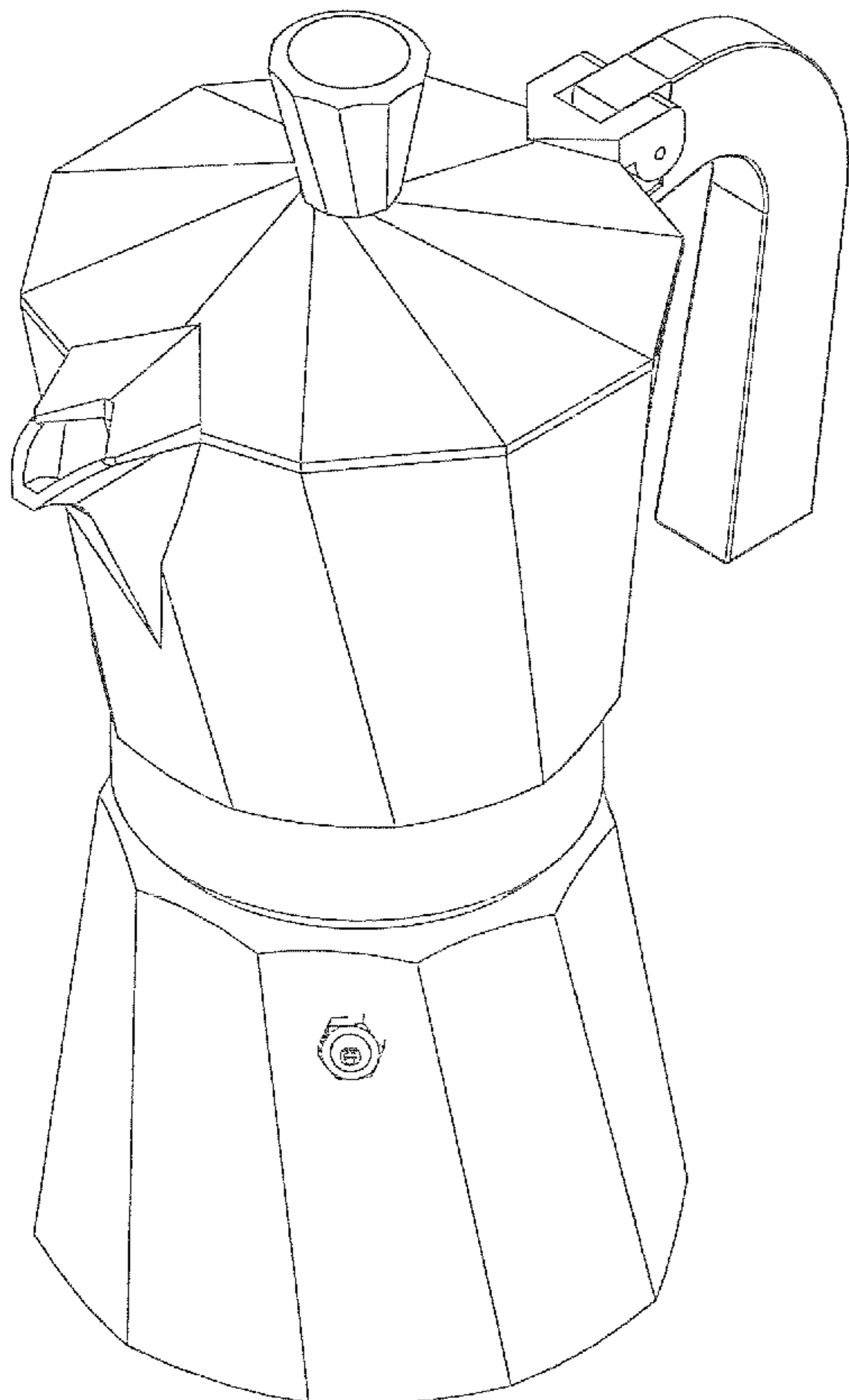
(57) **CLAIM**

The ornamental design for a coffee pot, as shown and described.

**DESCRIPTION**

FIG. 1 is a top front right perspective view of a coffee pot showing my new design therefor;  
FIG. 2 is a right elevational view thereof;  
FIG. 3 is a rear elevational view thereof;  
FIG. 4 is a left elevational view thereof;  
FIG. 5 is a front elevational view thereof;  
FIG. 6 is a top plan view thereof; and,  
FIG. 7 is a bottom plan view thereof.

**1 Claim, 7 Drawing Sheets**



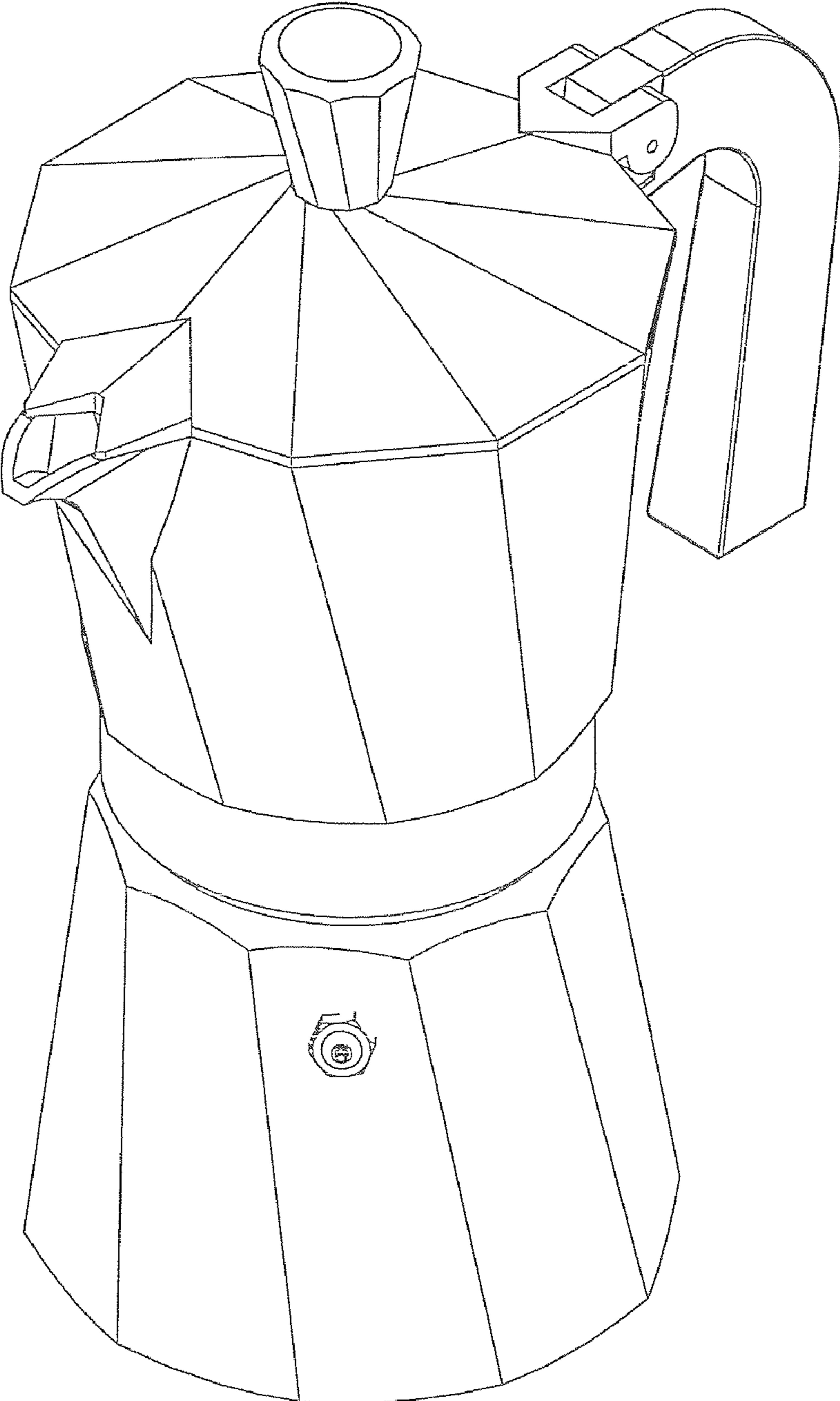


Fig. 1

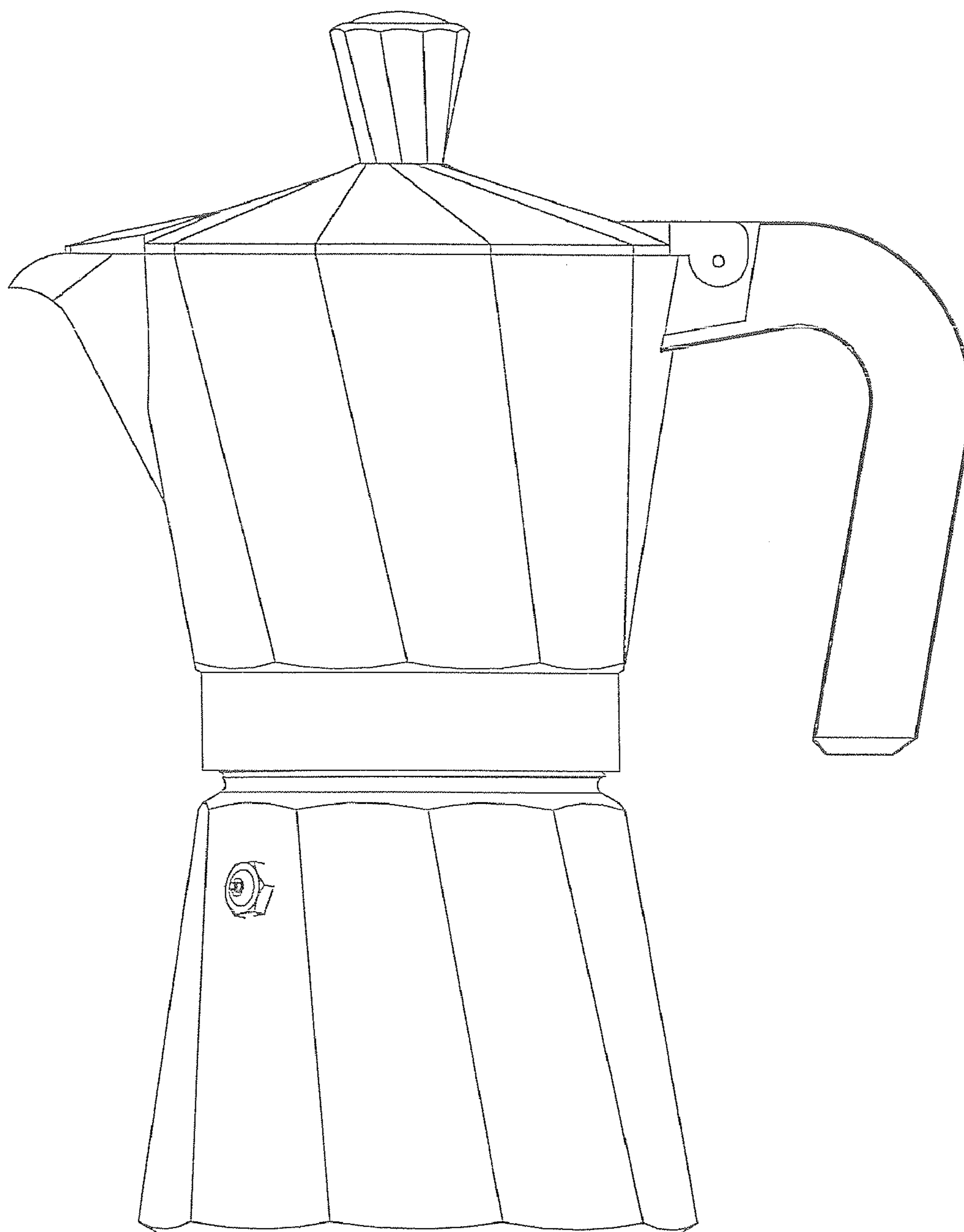


Fig. 2

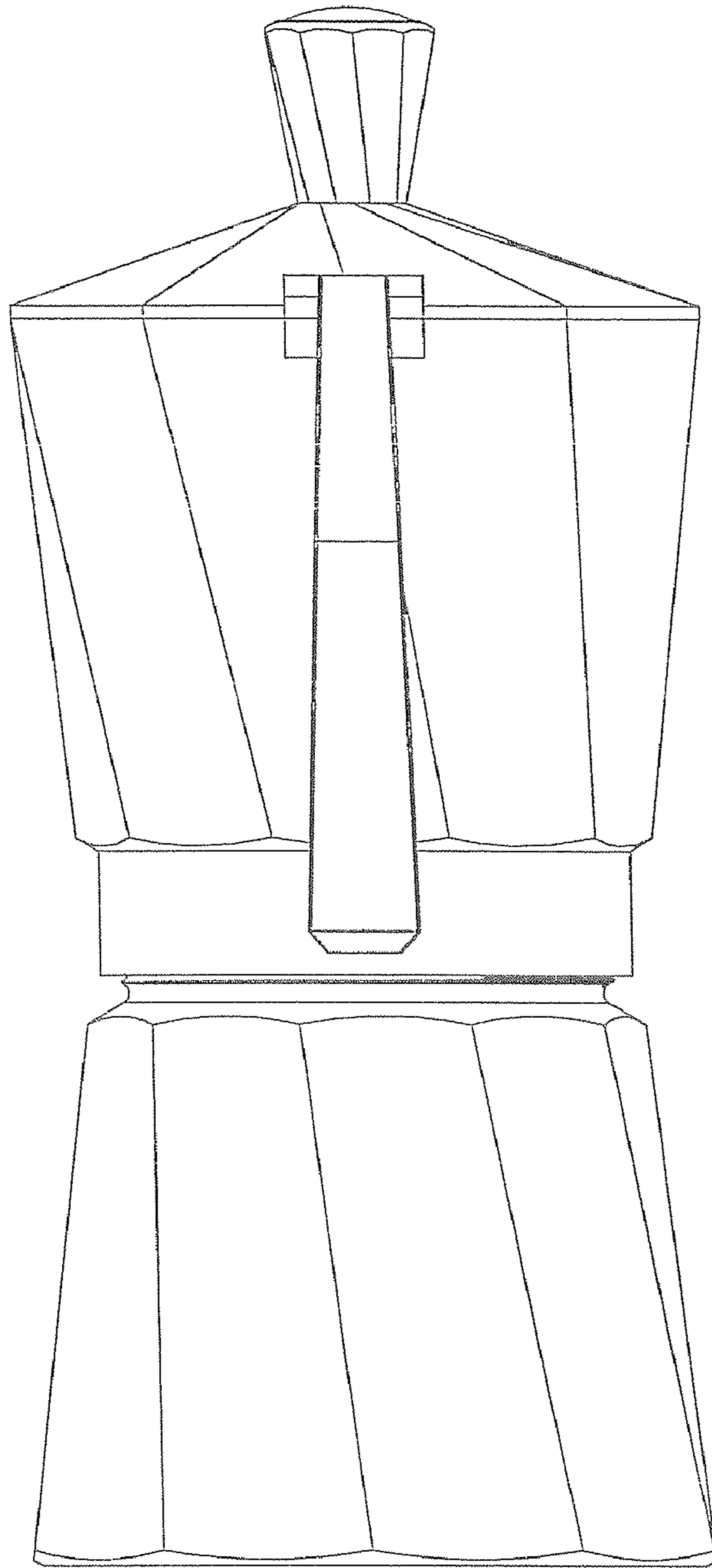


Fig. 3

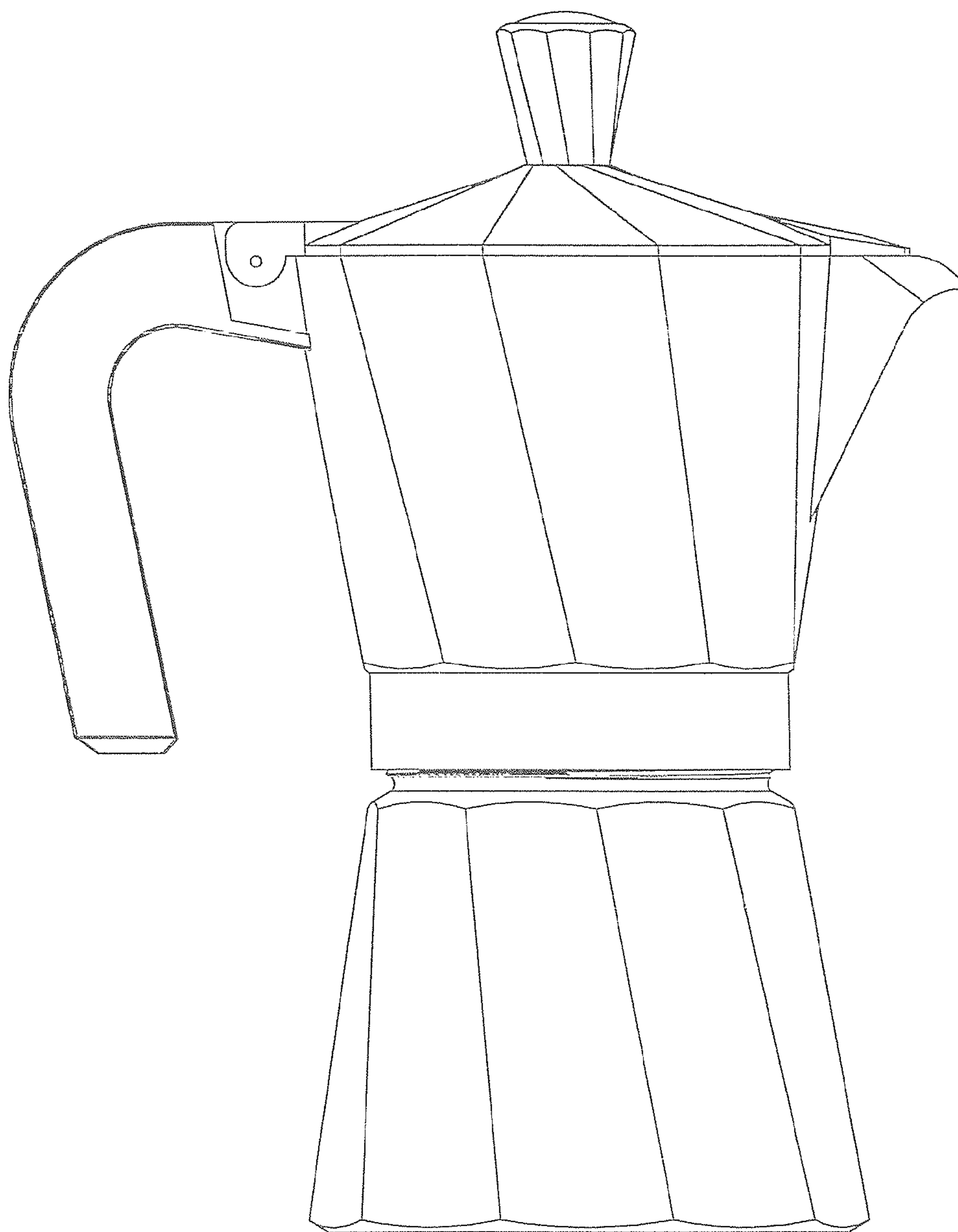


Fig. 4

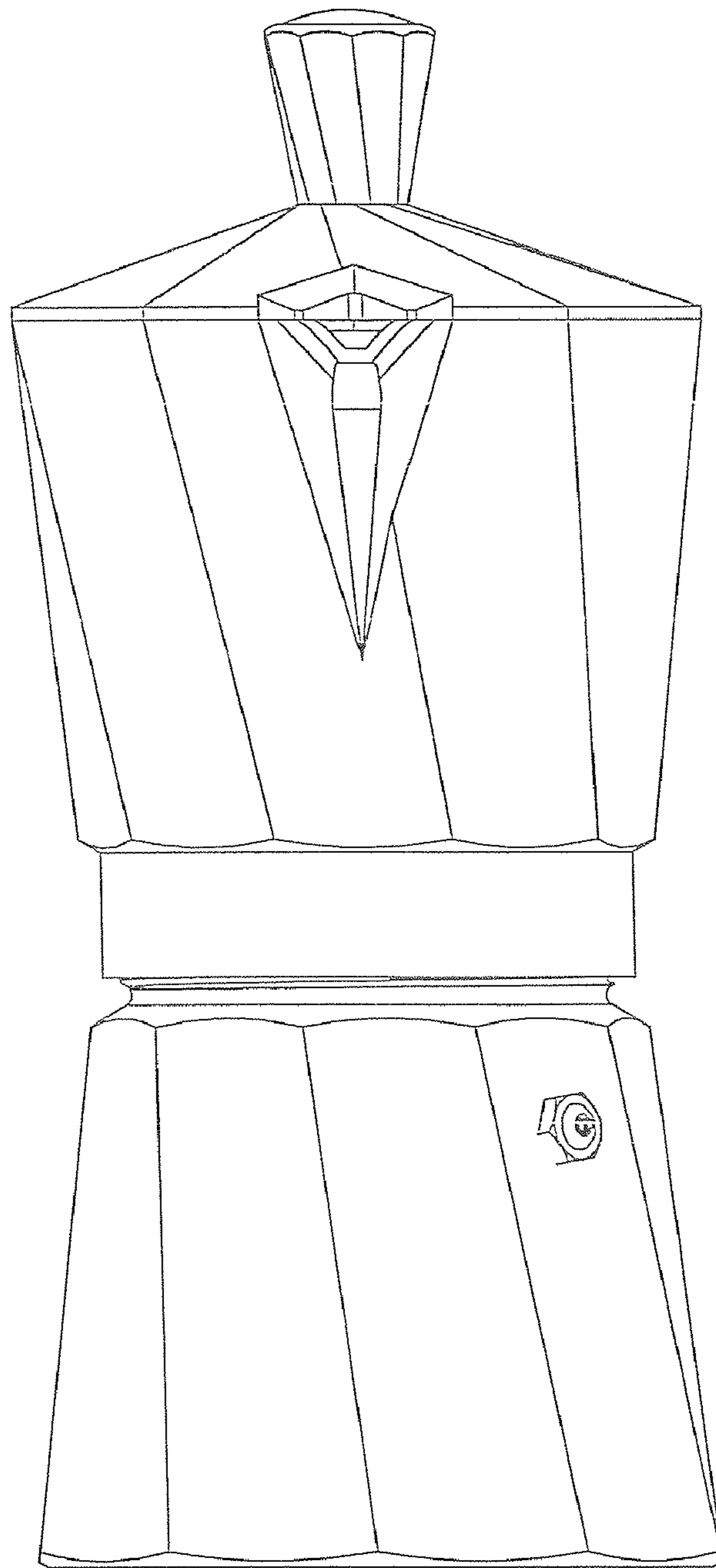


Fig. 5

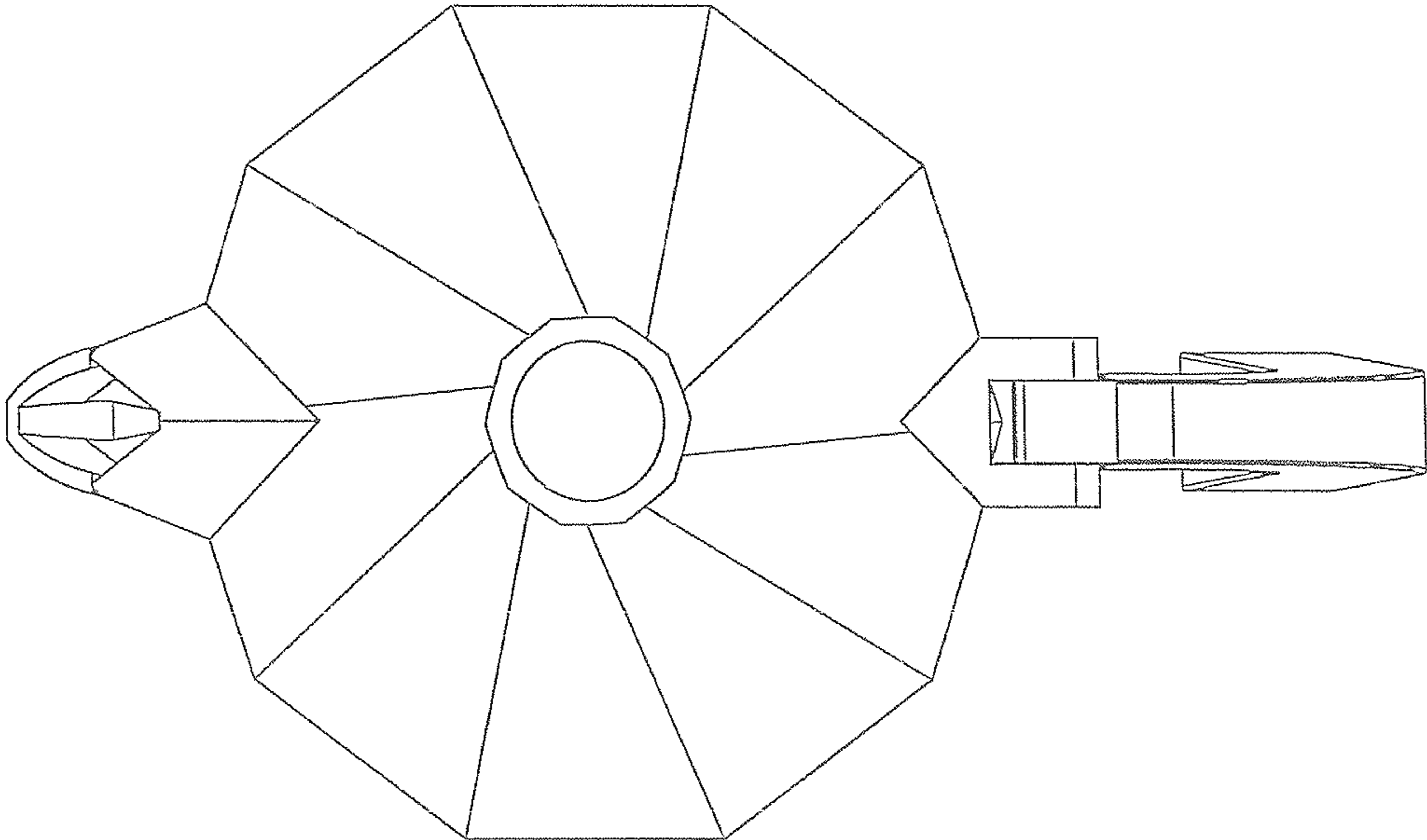


Fig. 6

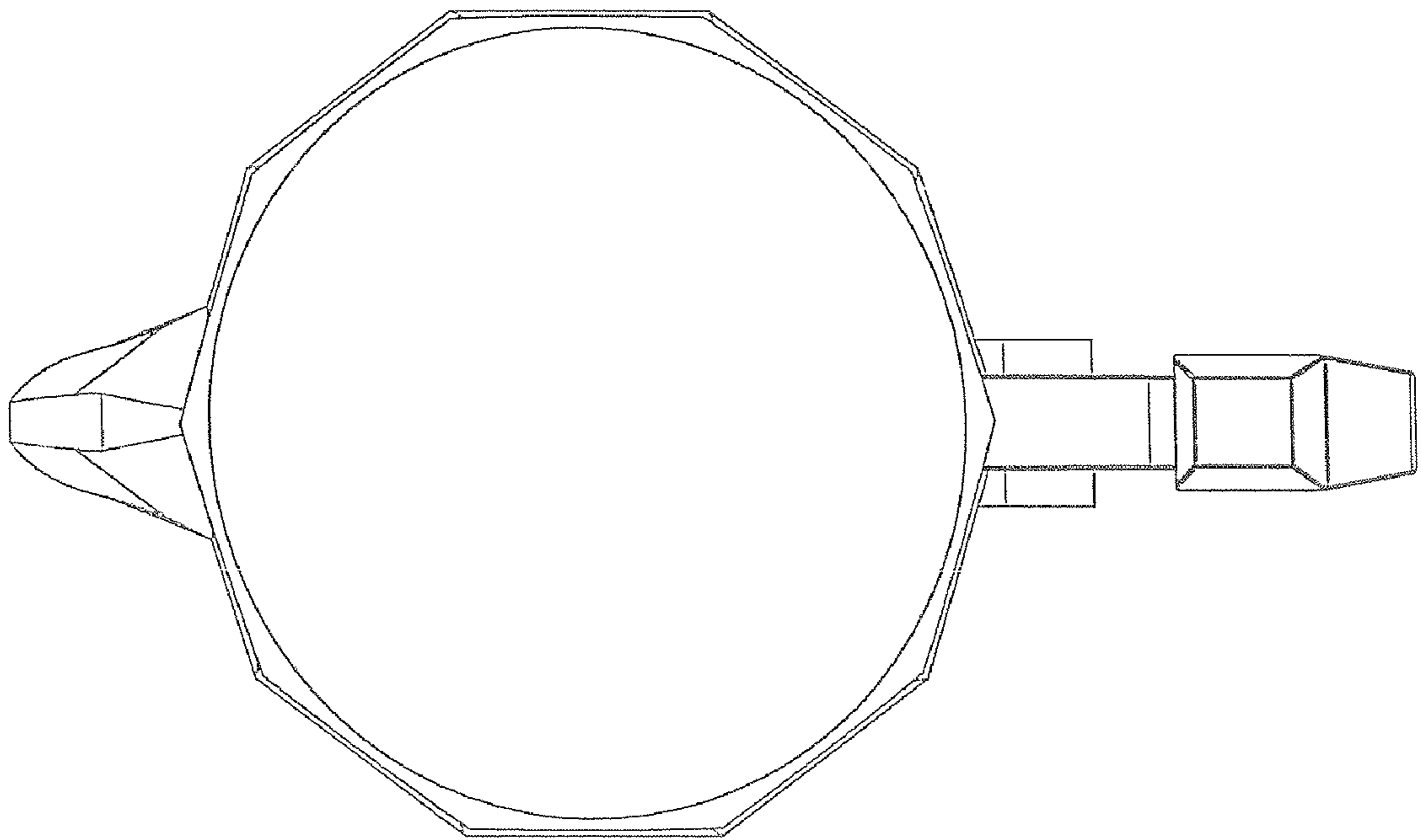


Fig. 7