



US00D638651S

(12) **United States Design Patent**  
**Butler**

(10) **Patent No.:** **US D638,651 S**

(45) **Date of Patent:** **\*\* May 31, 2011**

(54) **BEVERAGE CARAFE**

(75) Inventor: **Margaret F. Butler**, Raleigh, NC (US)

(73) Assignee: **Hamilton Beach Brands, Inc.**, Glen Allen, VA (US)

(\*\*) Term: **14 Years**

(21) Appl. No.: **29/357,476**

(22) Filed: **Mar. 12, 2010**

(51) **LOC (9) Cl.** ..... **07-01**

(52) **U.S. Cl.** ..... **D7/318; D7/317**

(58) **Field of Classification Search** ..... D7/392,  
D7/394, 397; 222/475.1, 473; 99/300  
See application file for complete search history.

(56) **References Cited**

U.S. PATENT DOCUMENTS

D268,319	S	*	3/1983	Donoski et al.	.....	D7/318
D326,206	S	*	5/1992	Rakocy et al.	.....	D7/317
D354,879	S	*	1/1995	Ullmann	.....	D7/317
5,379,925	A	*	1/1995	Mothrath et al.	.....	222/475.1
D355,329	S		2/1995	Ullmann		
5,476,186	A	*	12/1995	Reilly	.....	220/212
5,505,120	A	*	4/1996	Albertson	.....	99/286
D375,016	S		10/1996	Ullmann		
D389,369	S		1/1998	Hippen		
D393,174	S		4/1998	Mork et al.		
D411,404	S		6/1999	Littmann		
D413,479	S		9/1999	Mork et al.		
D414,071	S		9/1999	Mork et al.		
D418,357	S		1/2000	Lin		
D419,028	S		1/2000	Mork et al.		

D437,174	S		2/2001	Inoue		
D438,420	S		3/2001	Rolfes et al.		
D442,014	S		5/2001	Haring et al.		
D444,339	S		7/2001	Huang		
D457,375	S		5/2002	Picozza et al.		
D457,376	S		5/2002	Lin		
D465,121	S		11/2002	Mulle		
6,561,390	B2	*	5/2003	Boyte et al.	.....	222/475.1
D475,333	S	*	6/2003	Chiang	.....	D12/173
D490,639	S		6/2004	Kling		
D495,917	S		9/2004	Watanabe		
D551,015	S		9/2007	Huang		
D569,165	S		5/2008	Stewart		
D586,605	S		2/2009	Ma et al.		

\* cited by examiner

*Primary Examiner* — Marianne Pandozzi

(74) *Attorney, Agent, or Firm* — Alexander D. Raring

(57) **CLAIM**

The ornamental design for a beverage carafe, as shown and described.

**DESCRIPTION**

FIG. 1 is a perspective view as seen from the top, rear and left side of a beverage carafe showing the new design;

FIG. 2 is a rear view thereof;

FIG. 3 is a left side view thereof;

FIG. 4 is a front view thereof;

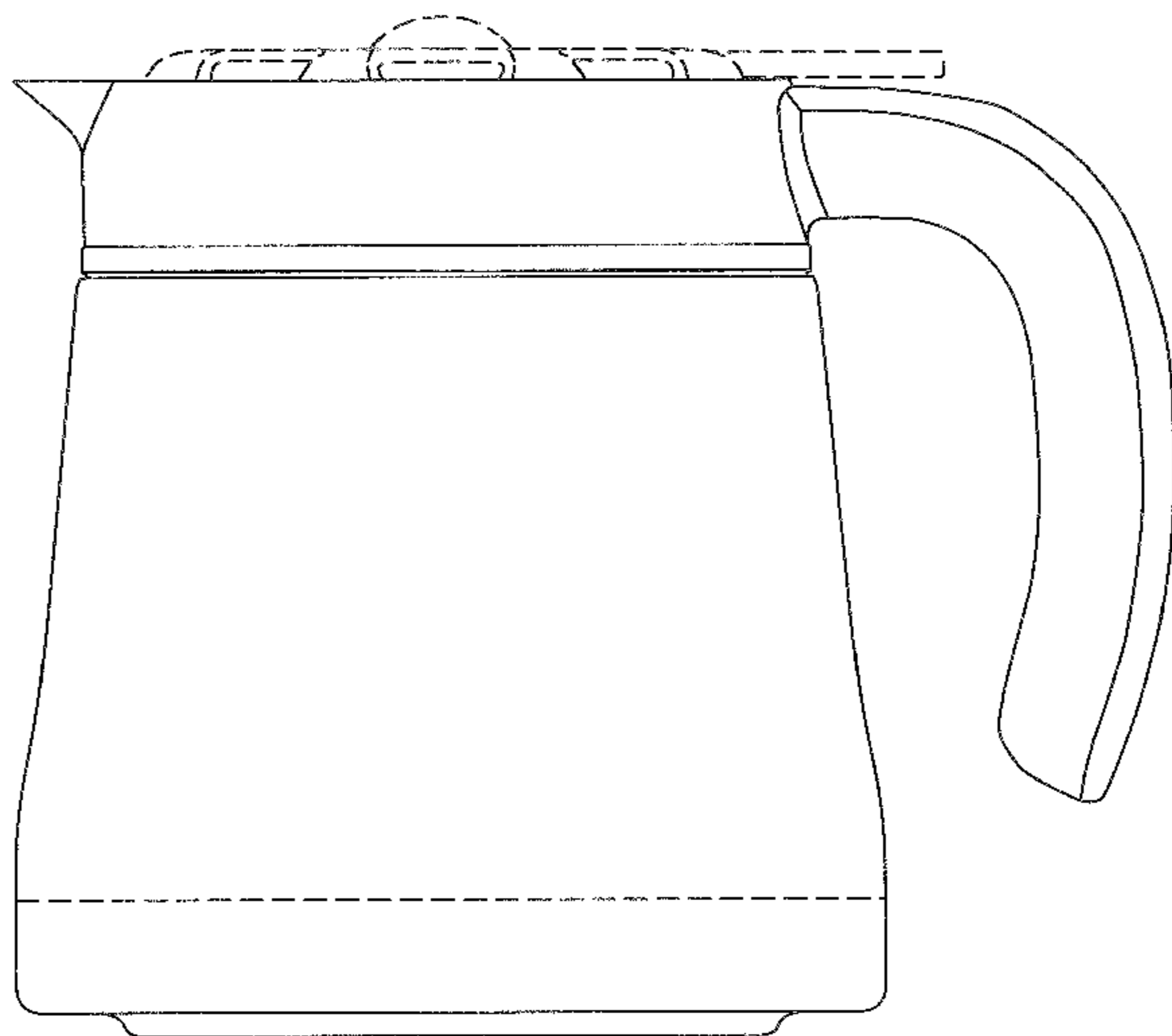
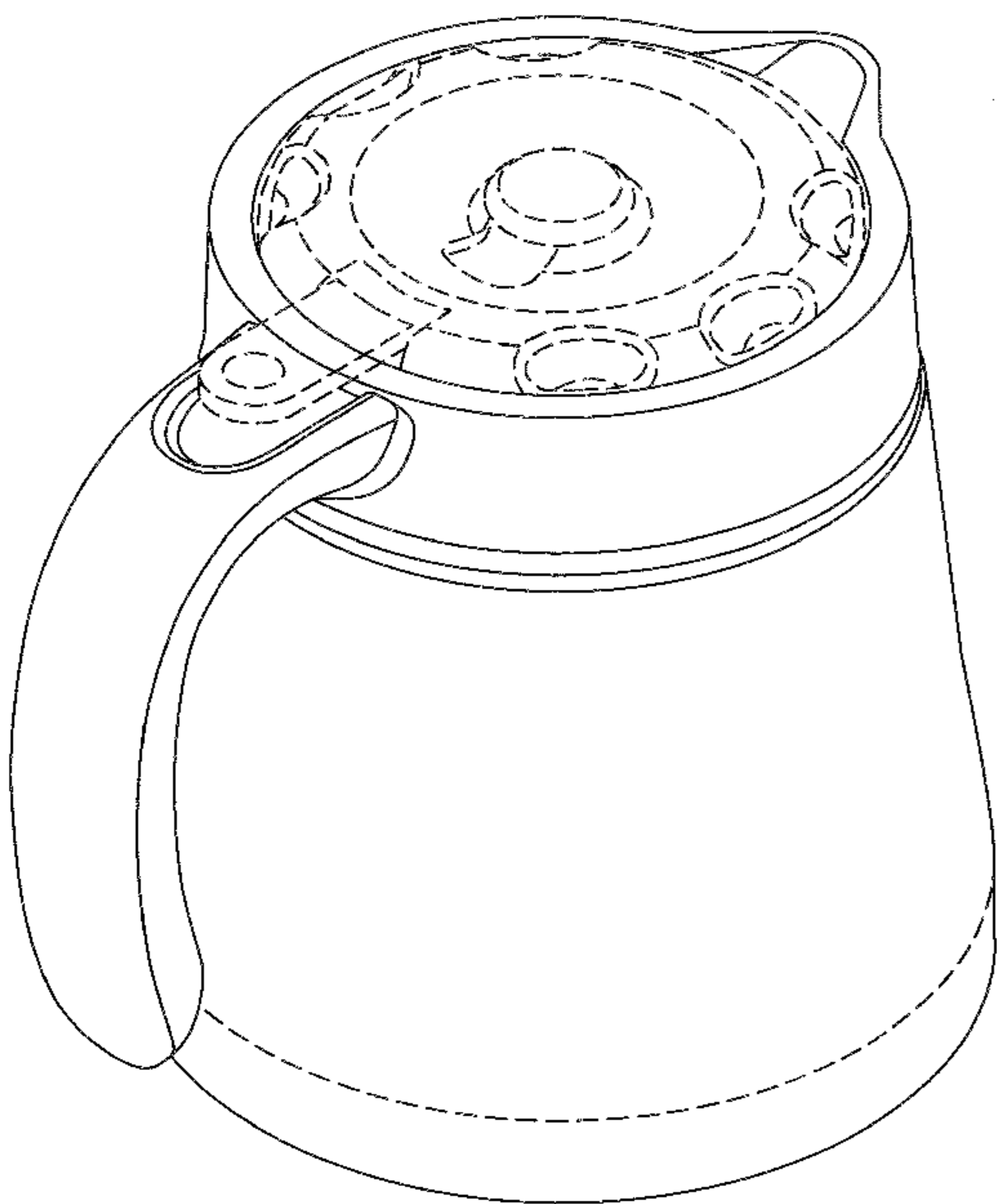
FIG. 5 is a right side view thereof;

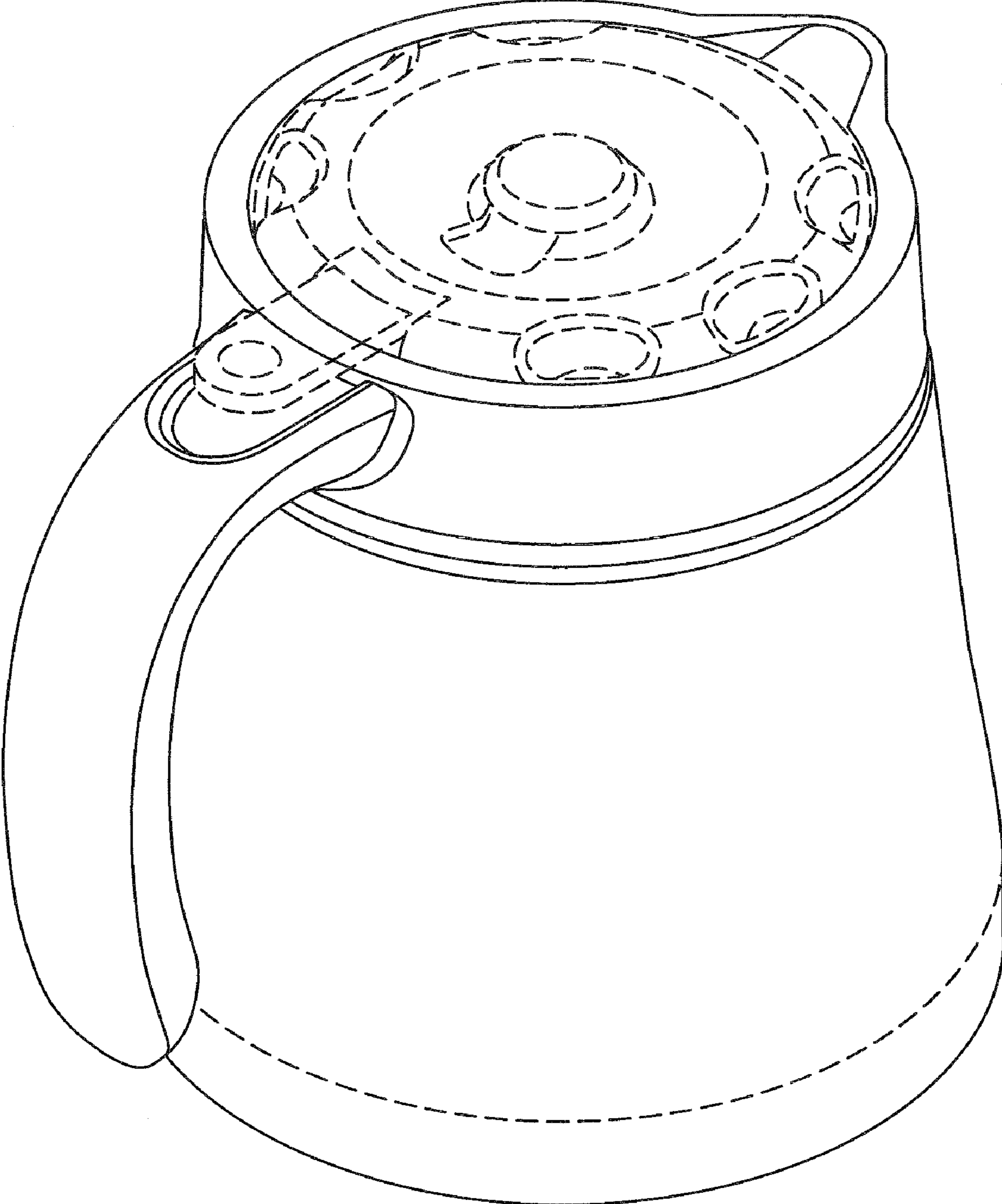
FIG. 6 is a top view thereof; and,

FIG. 7 is a bottom view thereof.

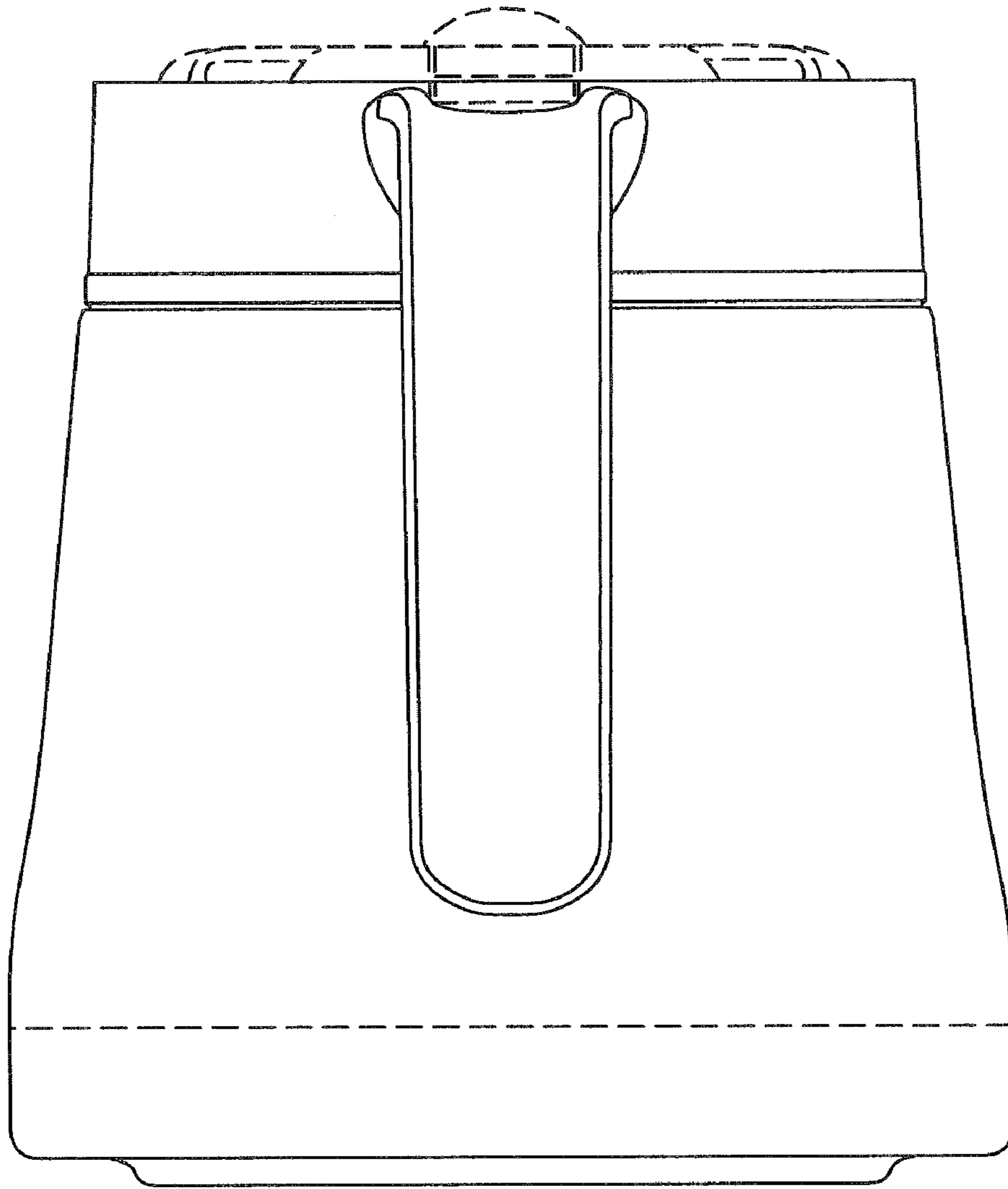
The broken lines in the drawings are included for the purpose of illustration and form no part of the claimed design.

**1 Claim, 7 Drawing Sheets**

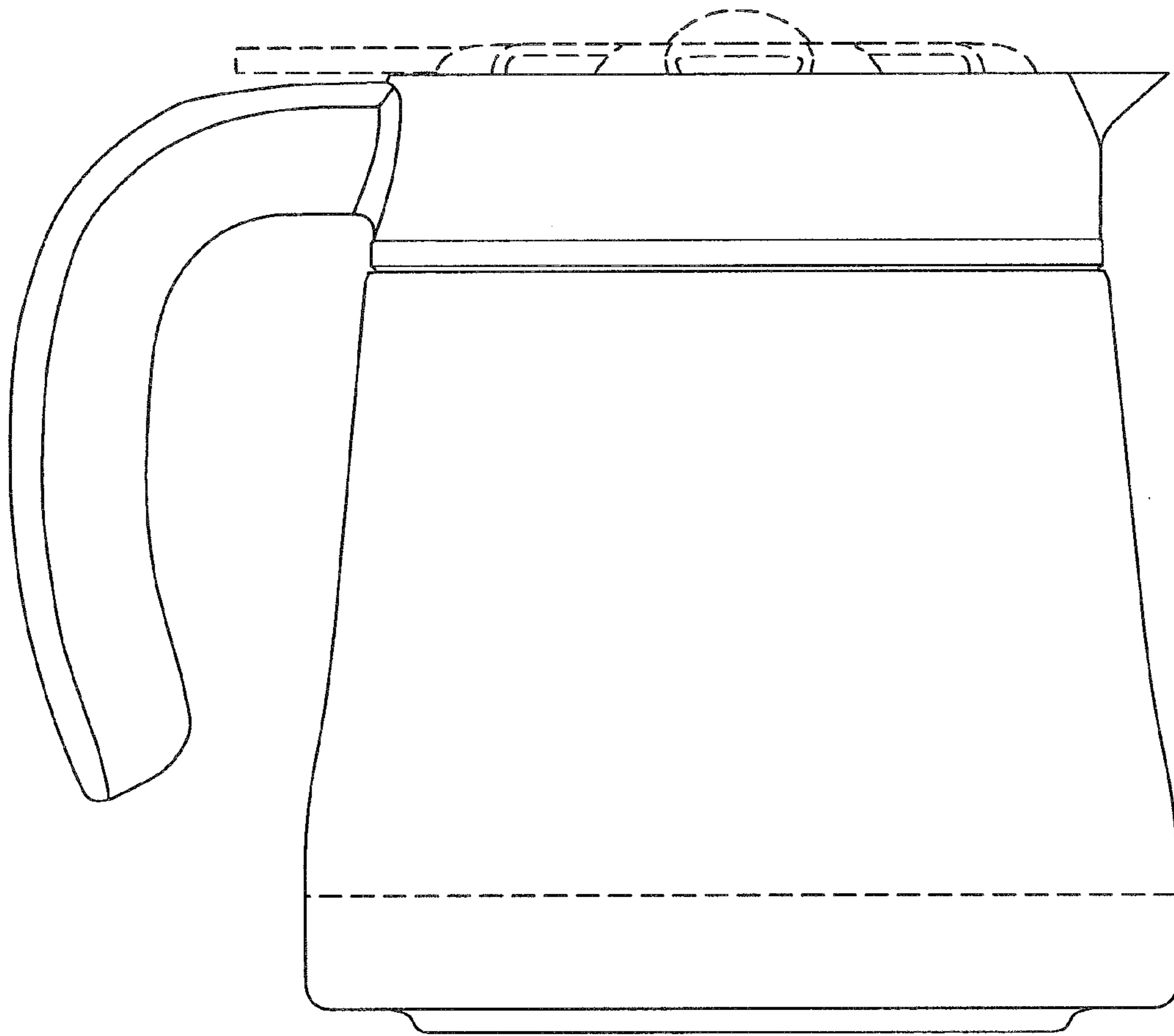




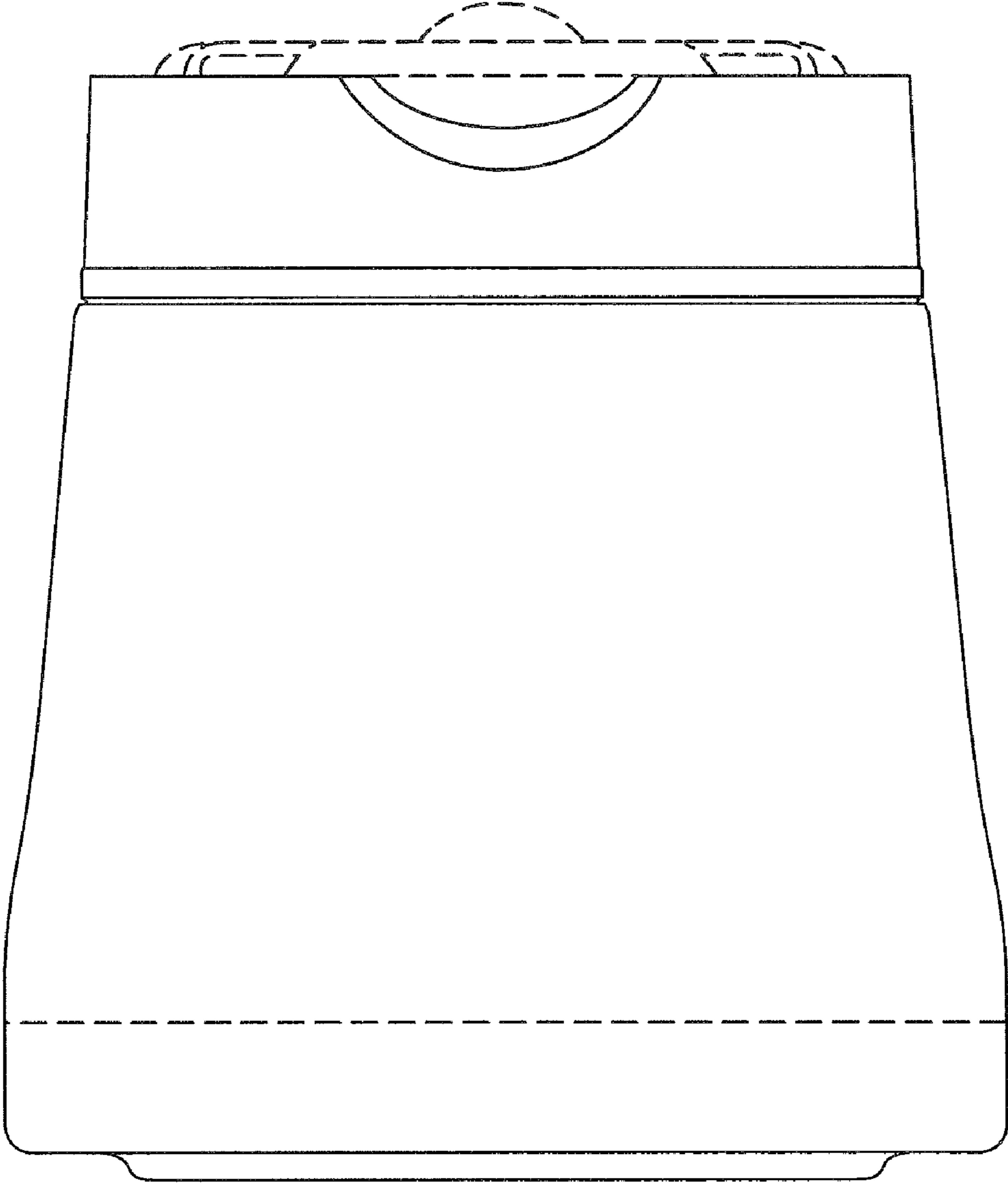
**FIG. 1**



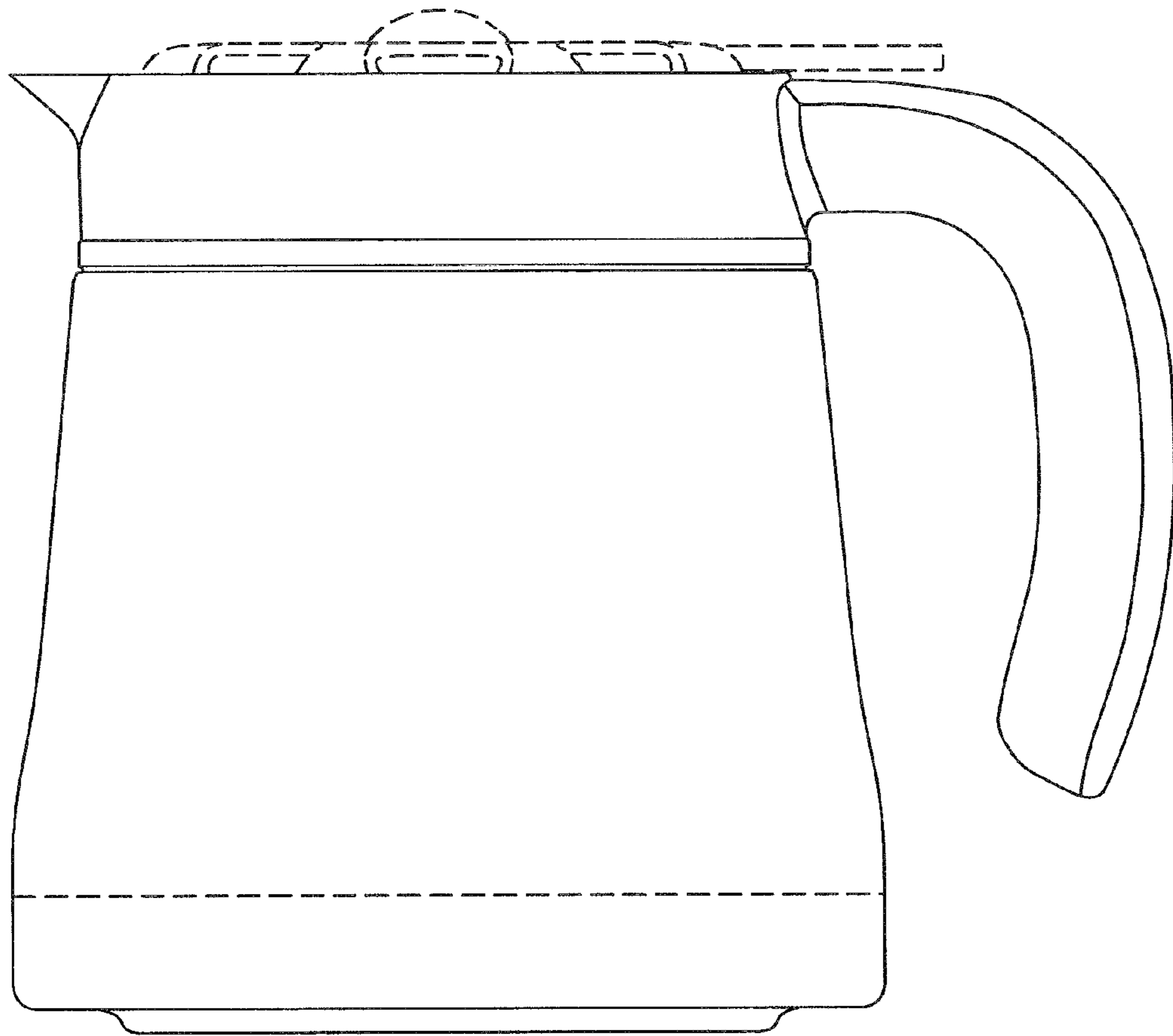
**FIG. 2**



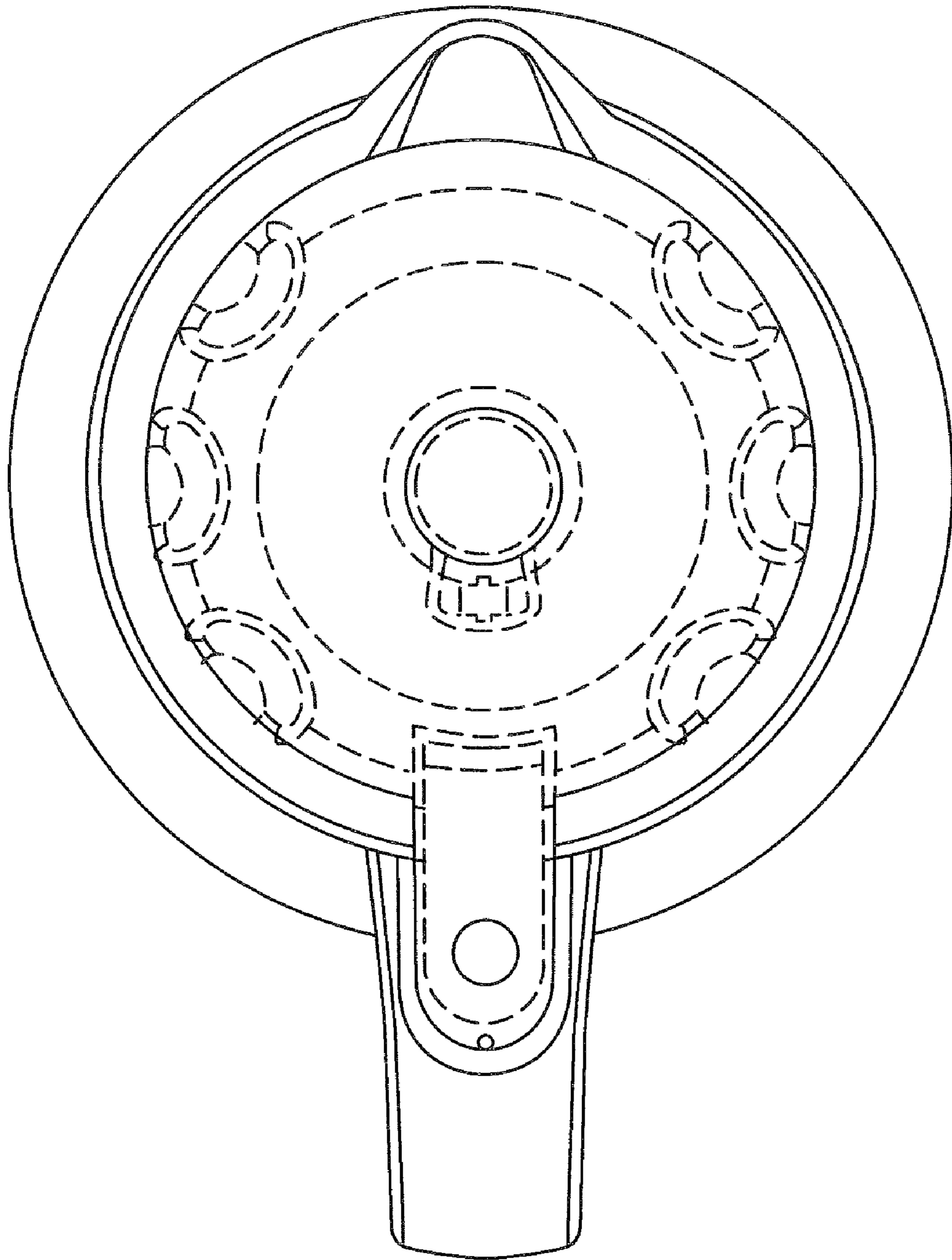
**FIG. 3**



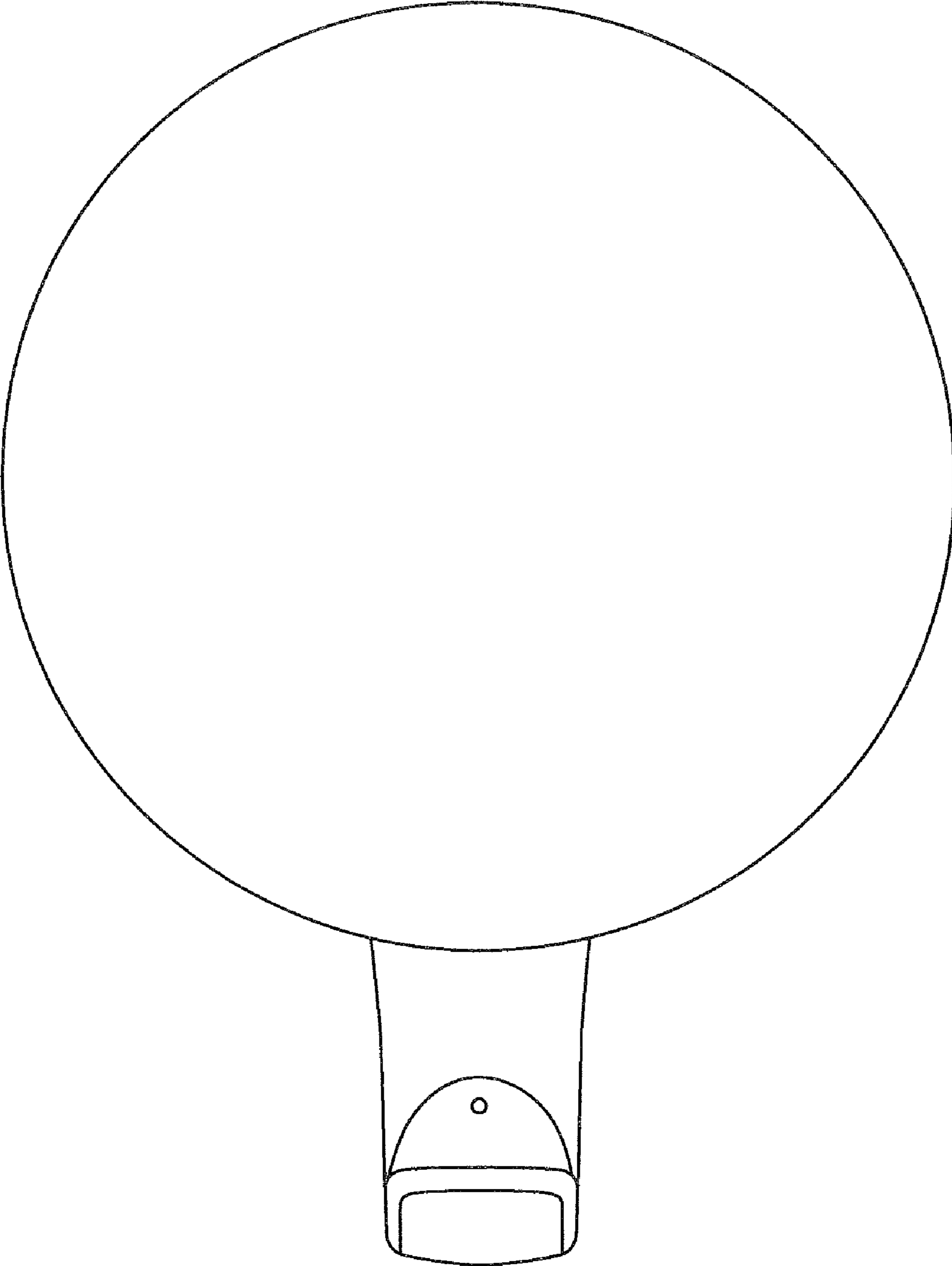
**FIG. 4**



**FIG. 5**



**FIG. 6**



**FIG. 7**