



US00D638648S

(12) **United States Design Patent**  
**Carlomusto**

(10) **Patent No.:** **US D638,648 S**

(45) **Date of Patent:** **\*\* May 31, 2011**

(54) **NON-SLIP TODDLER SEATING PAD DEVICE**

(76) Inventor: **Elizabeth A. Carlomusto**, Melbourne,  
FL (US)

(\*\*) Term: **14 Years**

(21) Appl. No.: **29/367,799**

(22) Filed: **Aug. 13, 2010**

(51) **LOC (9) Cl.** ..... **06-09**

(52) **U.S. Cl.** ..... **D6/601; D9/611**

(58) **Field of Classification Search** ..... D6/601,  
D6/595, 596, 604, 611, 333; 5/653, 636,  
5/637, 655.9, 657, 648, 630, 654, 655.3,  
5/632, 633, 644, 652, 645; D24/183; 297/219.1,  
297/219.12

See application file for complete search history.

D386,348 S *	11/1997	Weidman et al.	.....	D6/601
5,809,595 A	9/1998	Stevens et al.		
5,813,066 A *	9/1998	Gebhard et al.	.....	5/655
D404,845 S	1/1999	McIntyre et al.		
5,906,878 A *	5/1999	Horning et al.	.....	428/131
D412,082 S *	7/1999	Goodrich	.....	D6/601
6,022,617 A	2/2000	Calkins		
D523,676 S *	6/2006	Carvajal	.....	D6/588
D532,240 S *	11/2006	Pressler	.....	D6/601
7,207,627 B2	4/2007	Jerome		
7,374,240 B2	5/2008	Gold et al.		

\* cited by examiner

*Primary Examiner* — Lucy Lieberman

(57) **CLAIM**

The ornamental design for a non-slip toddler seating pad device, as shown and described.

(56) **References Cited**

**U.S. PATENT DOCUMENTS**

D35,749 S *	2/1902	Richards	.....	D24/183
1,444,521 A *	2/1923	Pearl	.....	297/228.13
1,499,166 A *	6/1924	Frazier	.....	267/143
2,216,818 A *	10/1940	Kuhlman	.....	5/654
2,356,948 A *	8/1944	Reed	.....	264/230
2,552,476 A *	5/1951	Barton	.....	5/653
D343,324 S *	1/1994	Laker et al.	.....	D6/601
5,346,278 A	9/1994	Dehondt		
D352,414 S *	11/1994	Butler	.....	D6/601
D360,794 S *	8/1995	Morin	.....	D6/601
5,465,441 A	11/1995	Chun		

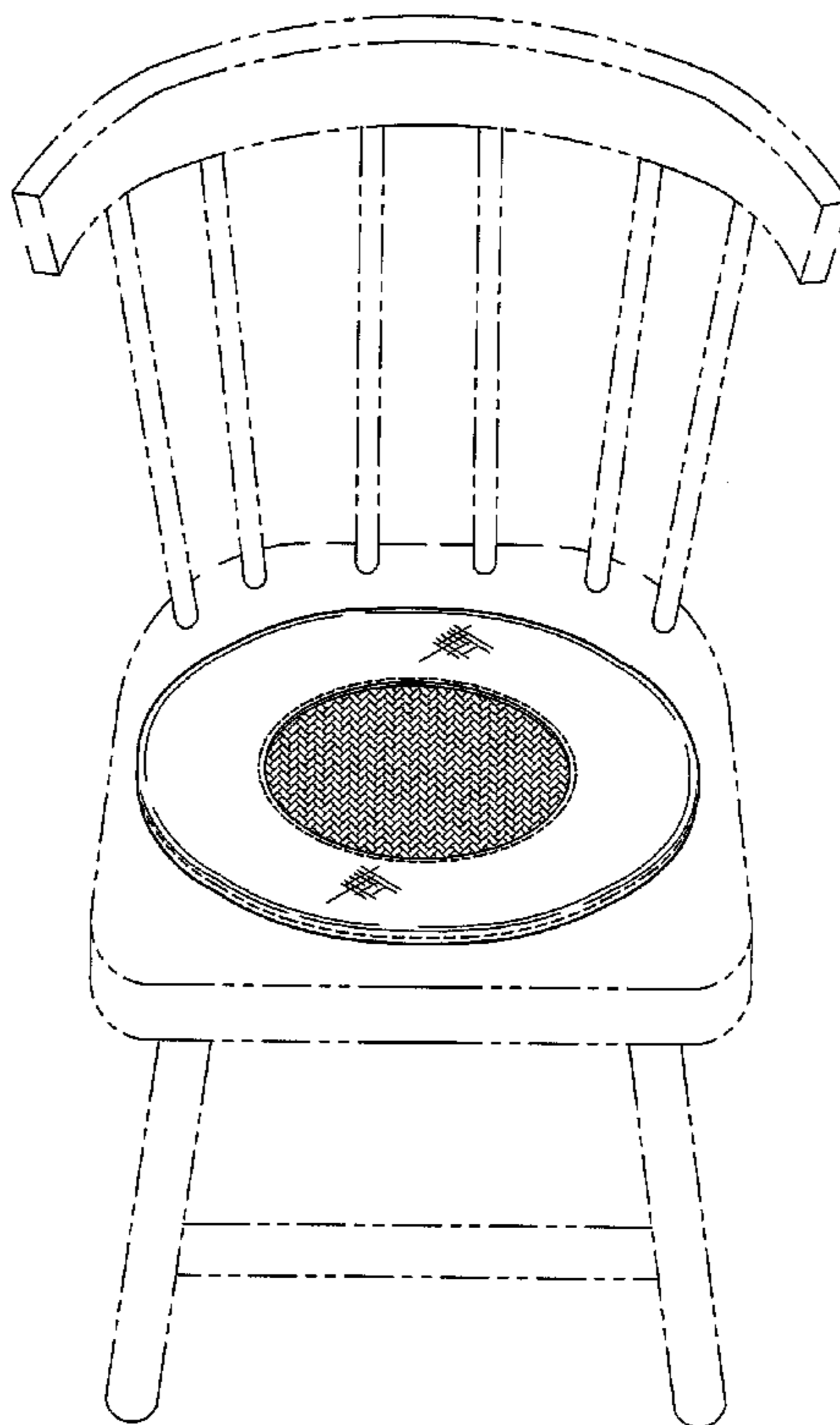
**DESCRIPTION**

FIG. 1 is a top plan view of a non-slip toddler seating pad device showing my new design and being a mirror image of a bottom plan view;

FIG. 2 is a side elevated view of the non-slip toddler seating pad device; and,

FIG. 3 is a top perspective view of the non-slip toddler seating pad device, wherein the areas in phantom are for clarification only and form no portion of the claimed invention.

**1 Claim, 3 Drawing Sheets**



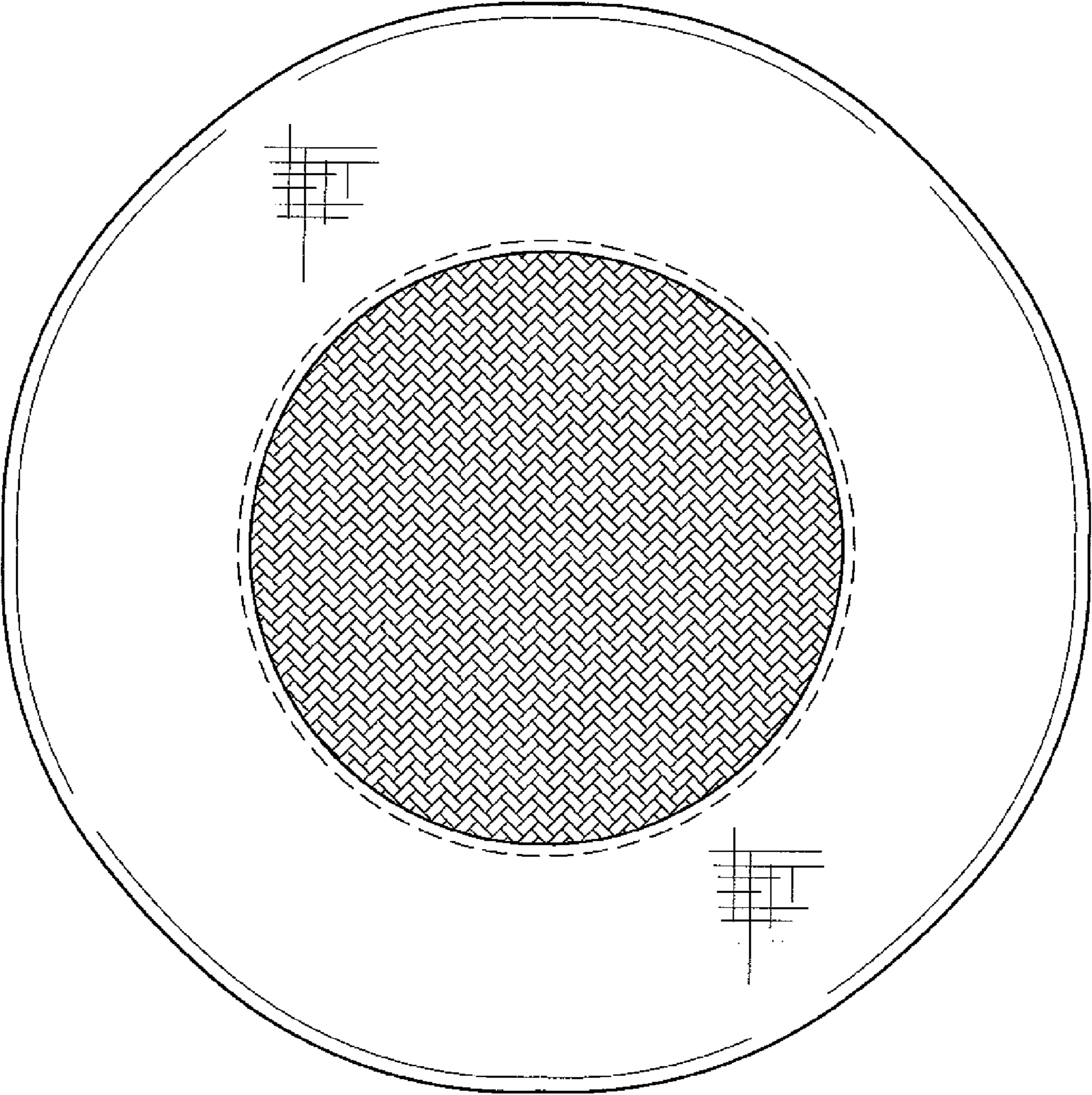


FIG. 1

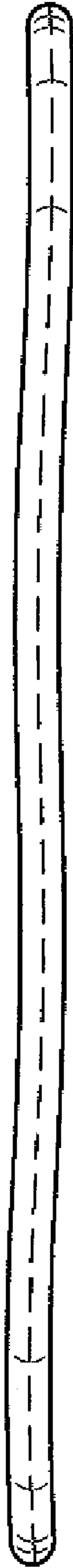


FIG. 2

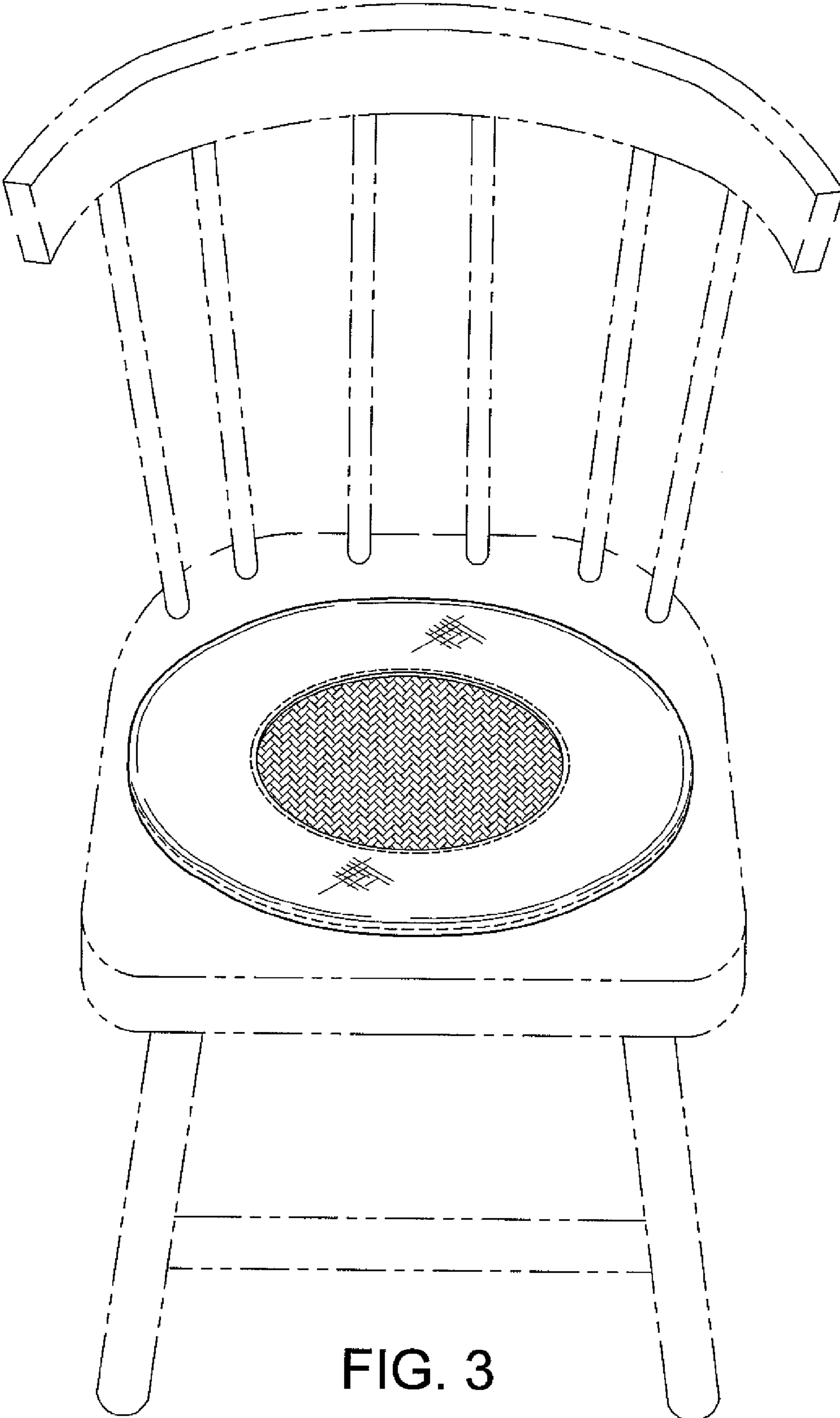


FIG. 3