



US00D638646S

(12) **United States Design Patent**  
**Penza**

(10) **Patent No.:** **US D638,646 S**

(45) **Date of Patent:** **\*\* May 31, 2011**

(54) **FOLDING PILLOW**

(76) Inventor: **Blayde Penza**, Sun Valley, CA (US)

(\*\*) Term: **14 Years**

(21) Appl. No.: **29/349,868**

(22) Filed: **May 12, 2010**

(51) **LOC (9) Cl.** ..... **06-09**

(52) **U.S. Cl.** ..... **D6/601**

(58) **Field of Classification Search** ..... D6/595-601,  
D6/604, 606, 610, 611; 5/630, 632, 633,  
5/636-640, 642, 644-646, 648, 652-655,  
5/655.3, 656, 657.5; D1/100, 101, 115, 125,  
D1/127-129, 199; D21/803; D24/183; D30/118;  
297/219.1, 242

See application file for complete search history.

(56) **References Cited**

**U.S. PATENT DOCUMENTS**

1,385,355	A *	7/1921	Banks	.....	5/636
2,013,481	A *	9/1935	Stonehill	.....	5/640
2,556,629	A *	6/1951	O'Brien	.....	5/638
3,192,540	A *	7/1965	Swank	.....	5/655.3
3,568,227	A *	3/1971	Dunham	.....	5/655.3
3,995,335	A *	12/1976	Neely	.....	5/633

4,389,742	A *	6/1983	DeWitt	.....	5/654
5,333,336	A *	8/1994	Langsam	.....	5/654
5,505,518	A *	4/1996	Pike	.....	297/242
5,572,757	A *	11/1996	O'Sullivan	.....	5/636
D422,829	S *	4/2000	Kritzinger	.....	D6/595
D528,707	S *	9/2006	Deioma	.....	D30/118
D584,911	S *	1/2009	Hisey et al.	.....	D6/601

\* cited by examiner

*Primary Examiner* — Mary Ann Calabrese

(74) *Attorney, Agent, or Firm* — James E. Brunton

(57) **CLAIM**

The ornamental design for “folding pillow,” as shown.

**DESCRIPTION**

FIG. 1 is a perspective view of a “folding pillow” showing my new design.

FIG. 2 is a right side view thereof;

FIG. 3 is a left side view thereof;

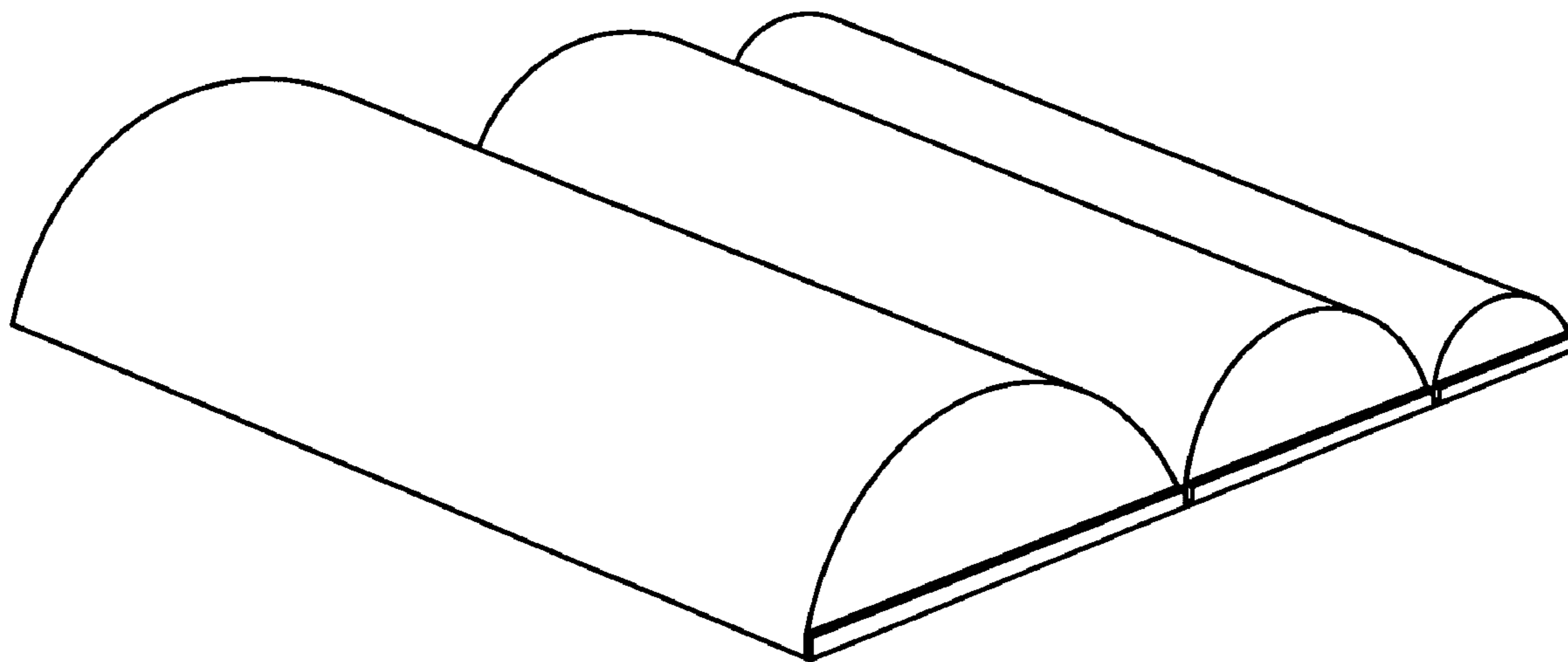
FIG. 4 is a front view thereof;

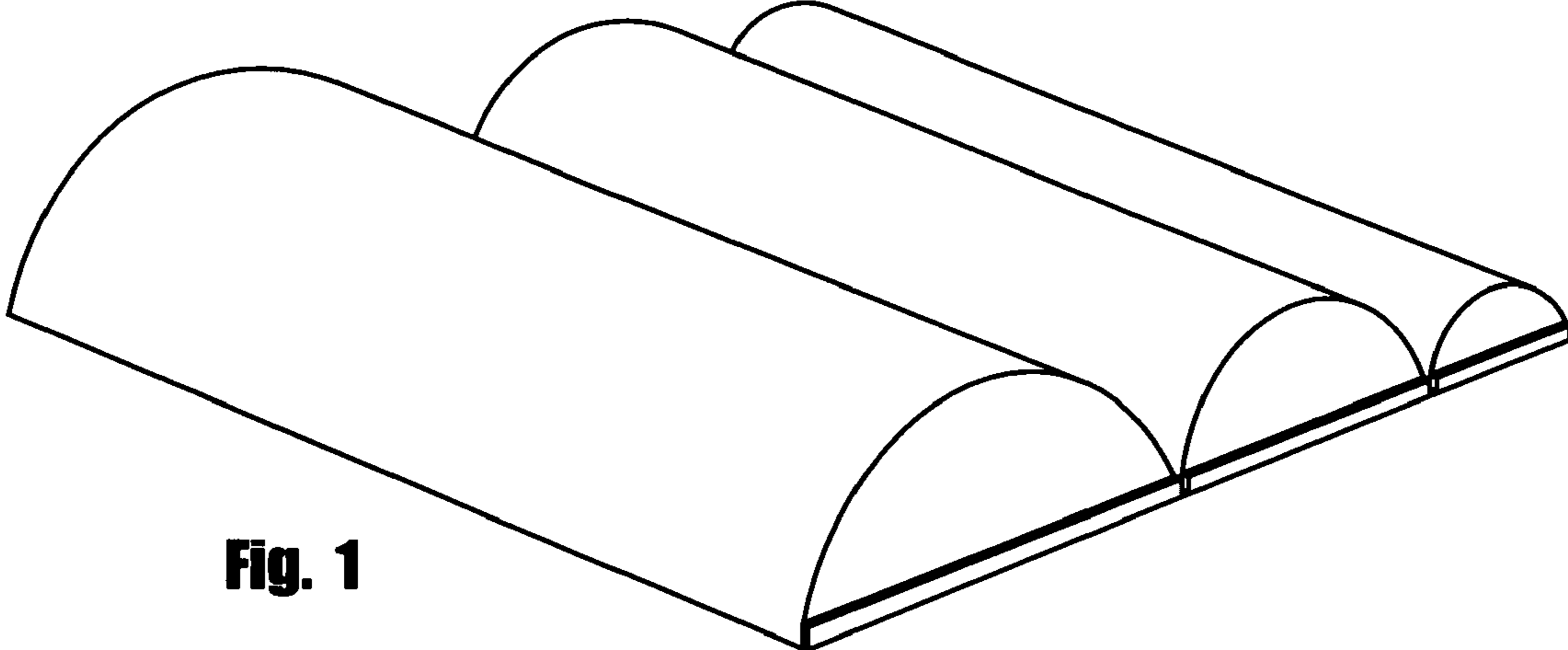
FIG. 5 is a rear view thereof;

FIG. 6 is a top plan view thereof; and,

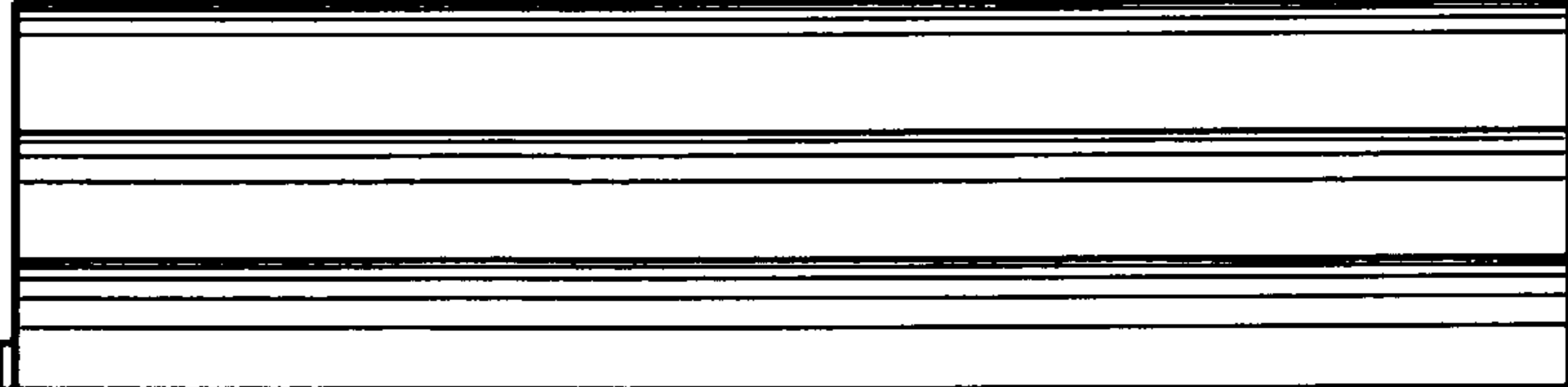
FIG. 7 is a bottom plan view thereof.

**1 Claim, 3 Drawing Sheets**

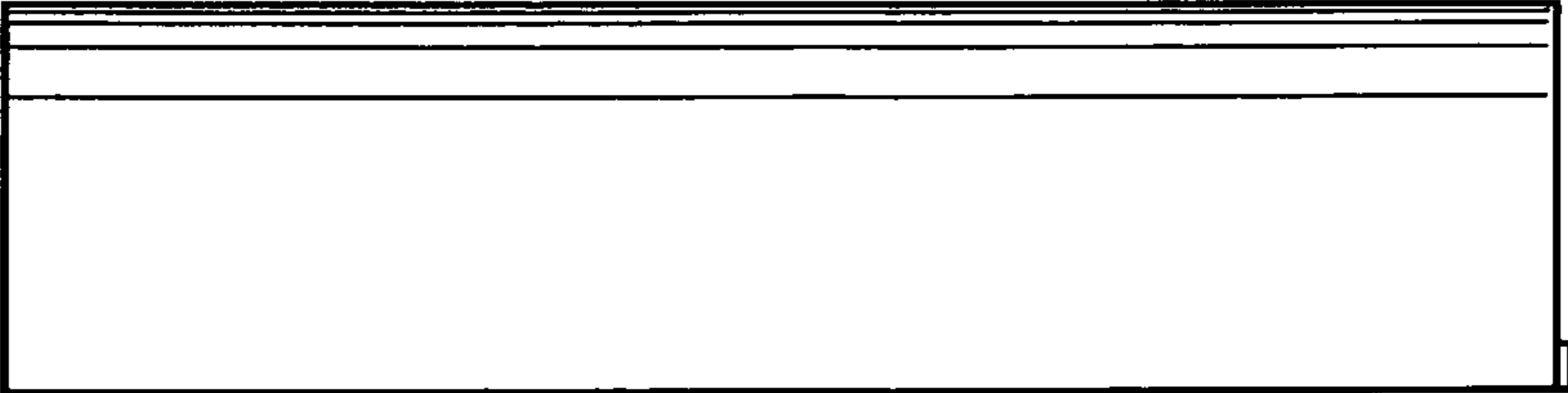




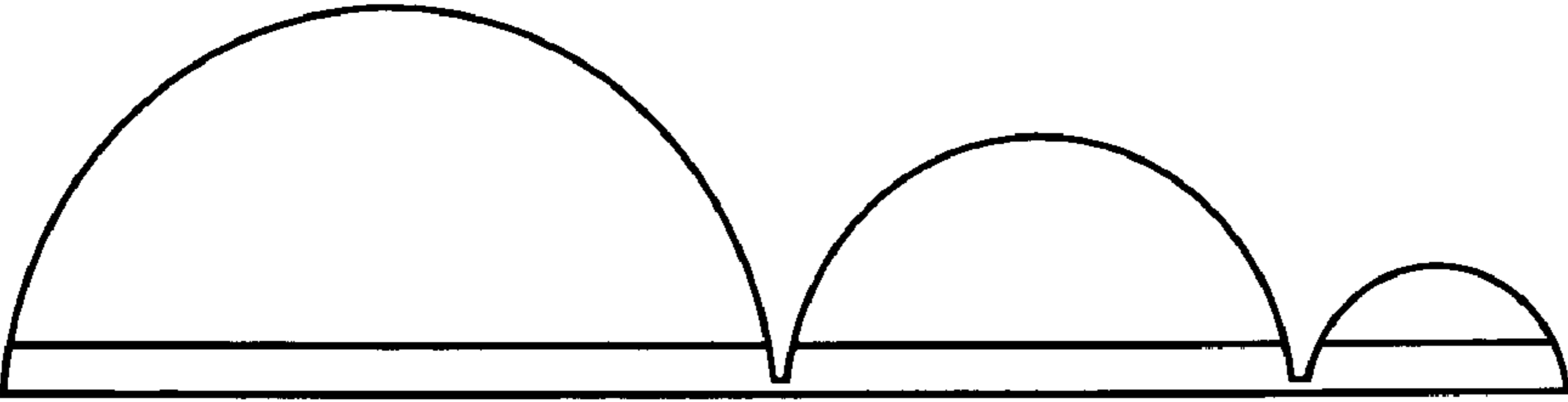
**Fig. 1**



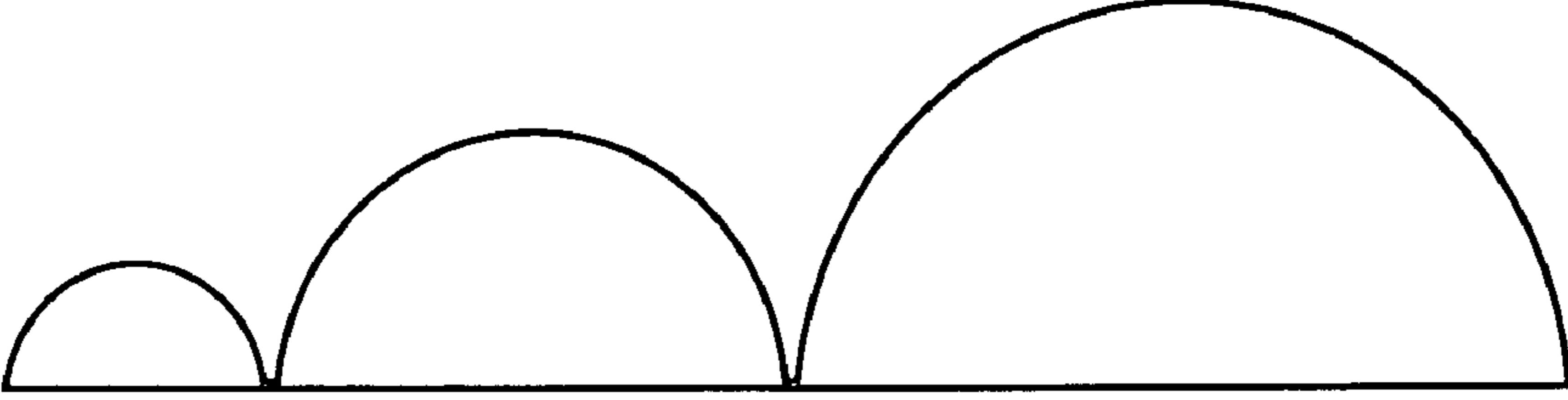
**Fig. 2**



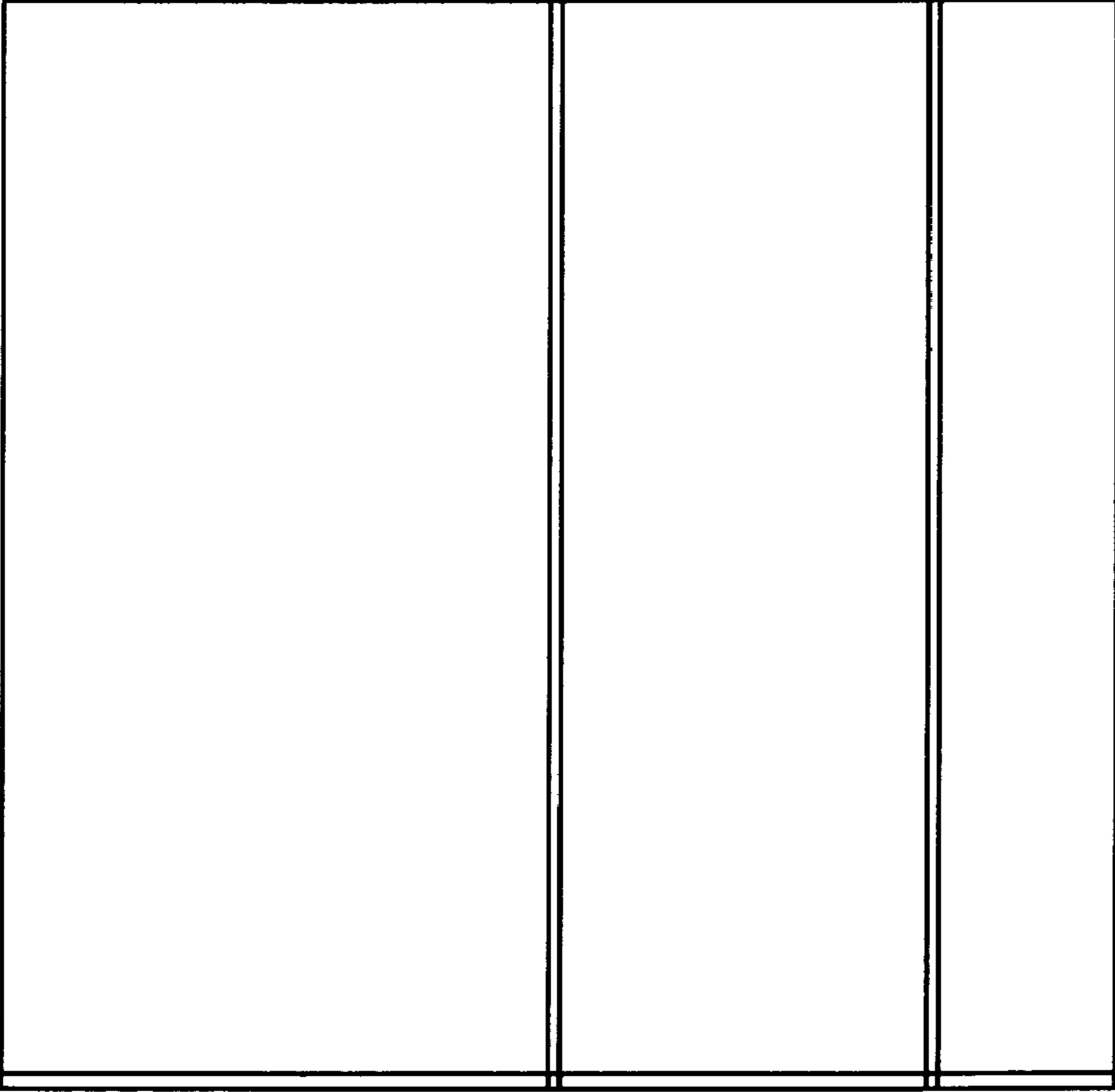
**Fig. 3**



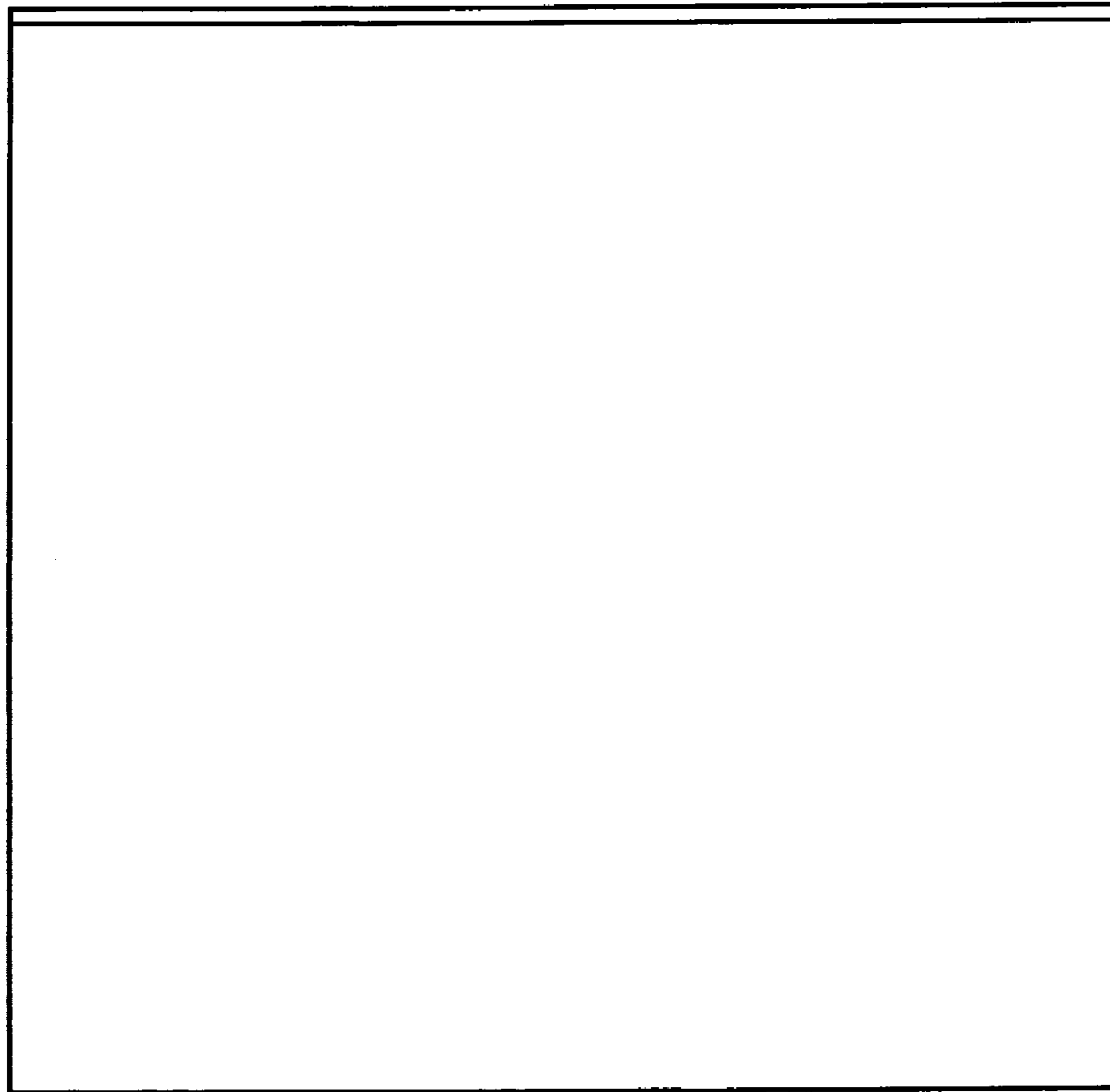
**Fig. 4**



**Fig. 5**



**Fig. 6**



**Fig. 7**